



US00D335942S

# United States Patent [19]

Furcron

[11] Patent Number: **Des. 335,942**

[45] Date of Patent: **\*\* May 25, 1993**

[54] **NOZZLE FOR A CLEANING DEVICE**

[75] Inventor: **Kent J. Furcron, Bristol, Va.**

[73] Assignee: **TRC Aquisition Corporation, Atlanta, Ga.**

[\*\*] Term: **14 Years**

[21] Appl. No.: **730,254**

[22] Filed: **Jul. 15, 1991**

[52] U.S. Cl. .... **D32/32**

[58] Field of Search ..... **D32/22, 31-33; 15/322, 354, 362, 412, 415.1-422.1**

[56] **References Cited**

**U.S. PATENT DOCUMENTS**

D. 242,212	11/1976	Parise et al. ....	D32/32
D. 248,027	5/1978	Lachance .....	D32/22
D. 287,894	1/1987	Watkins et al. ....	D32/22
D. 293,729	1/1988	Soeffker et al. ....	D32/22
289,336	4/1987	Fitzwater .....	D32/32
289,337	4/1987	Fitzwater .....	D32/32
1,951,316	3/1934	Allen .....	D32/32
4,559,665	12/1985	Fitzwater .....	D32/22

**OTHER PUBLICATIONS**

Best 1982/83 Cat., p. 220, "Item 1-Douglas Hydro-Clean Steam-Type Carper Cleaner".

Bissell Carpet Machine Plus Owner's Manual; Bissell Inc.; 1990; 1, 3-4, 6, 8-9.

SteamTeam Owner's Manual; Shop-Vac Corporation; 1989; 1, 3-4.

*Primary Examiner*—Louis S. Zarfes

*Assistant Examiner*—Ruth McInroy

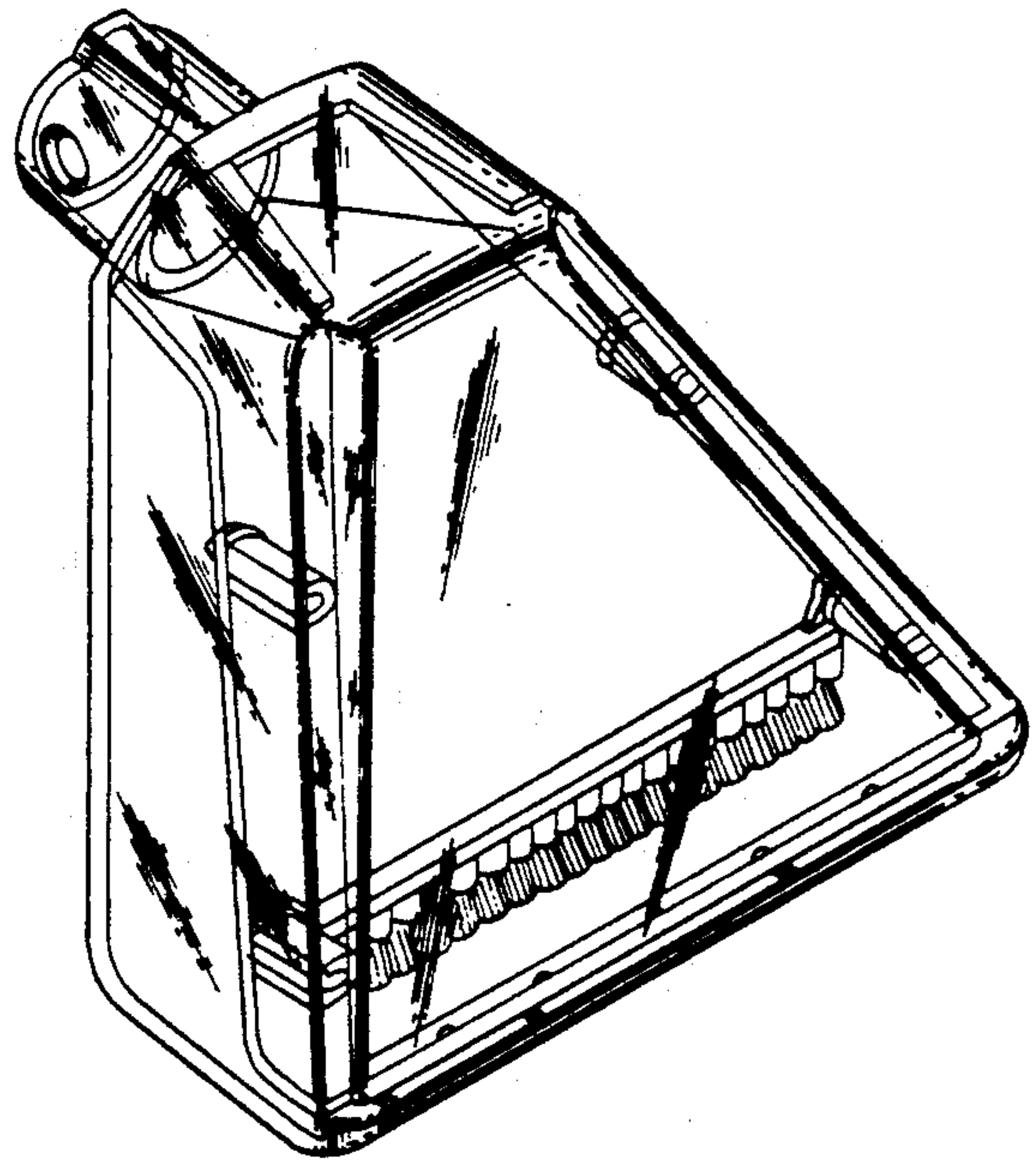
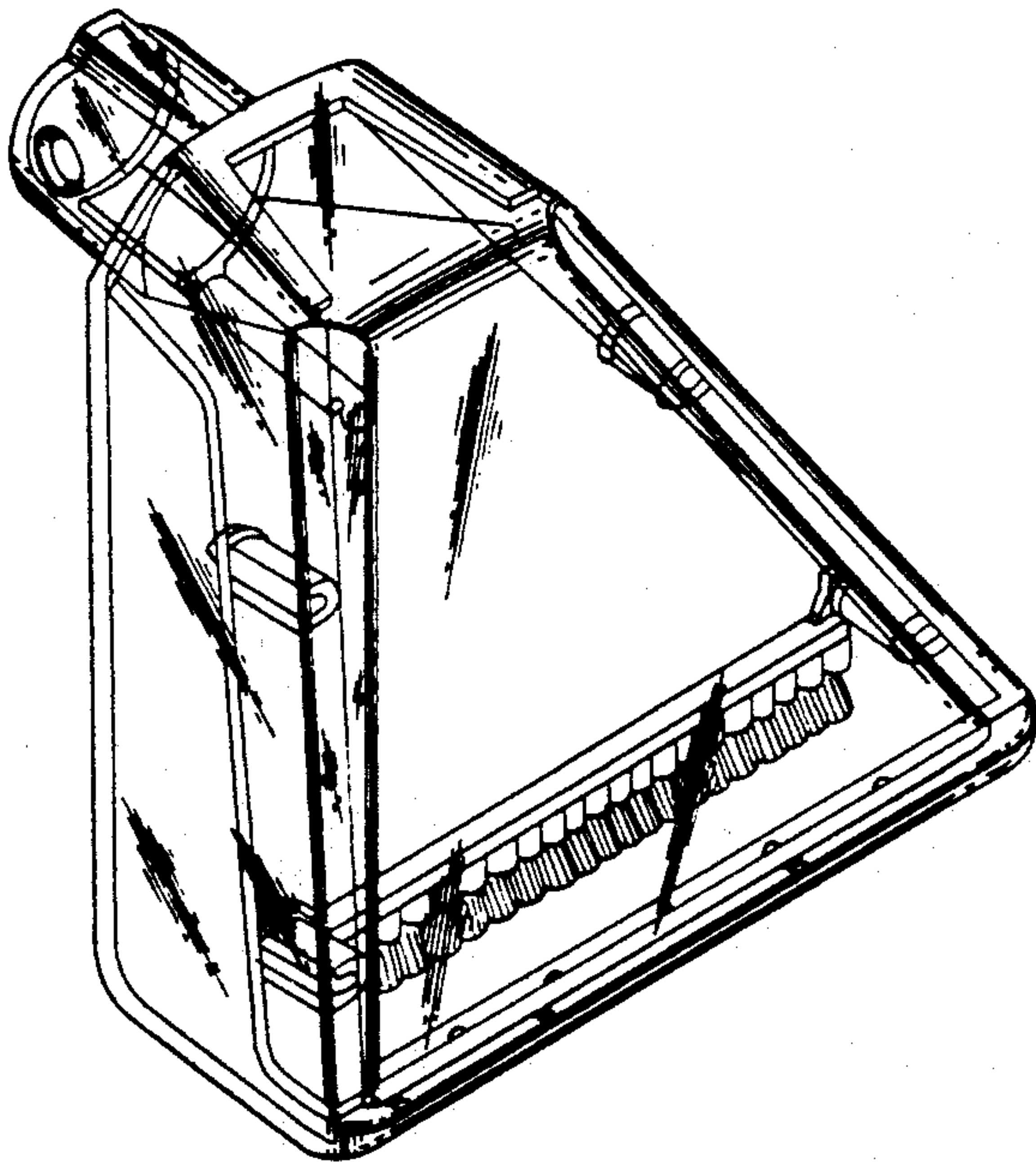
*Attorney, Agent, or Firm*—Jones & Askew

[57] **CLAIM**

The ornamental design for a nozzle for a cleaning device, as shown and described.

**DESCRIPTION**

FIG. 1 is a front, left, top perspective view of a nozzle for a cleaning device showing my new design; FIG. 2 is a front elevational view thereof; FIG. 3 is a right side elevational view thereof; FIG. 4 is a top plan view thereof; FIG. 5 is a rear elevational view thereof; FIG. 6 is a bottom plan view thereof; FIG. 7 is a front, left top perspective view of a second embodiment thereof; FIG. 8 is a front elevational view thereof; FIG. 9 is a right side elevational view thereof; FIG. 10 is a top plan view thereof; FIG. 11 is a rear elevational view thereof; and FIG. 12 is a bottom plan view thereof.



*FIG. 1*

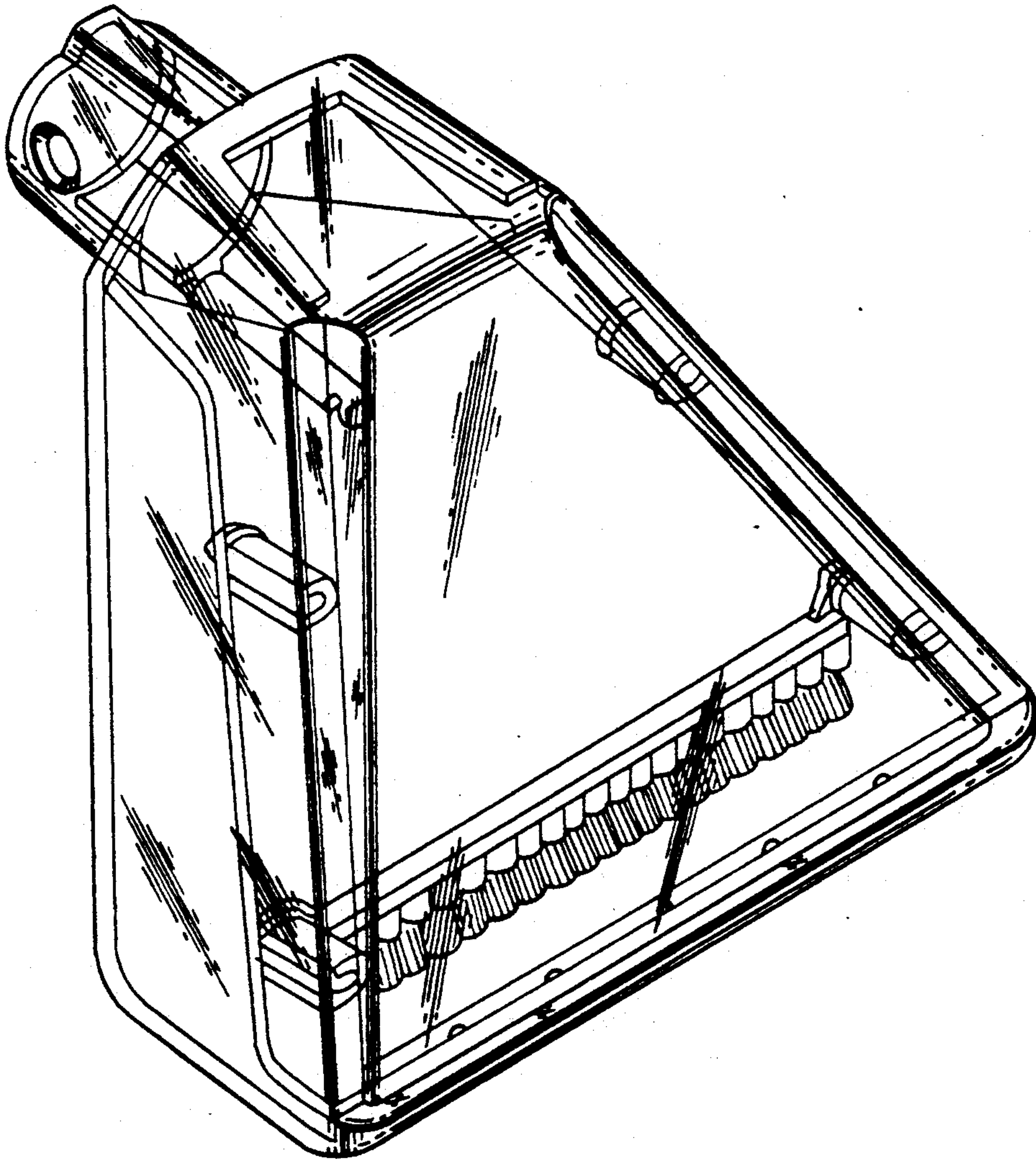




FIG. 3

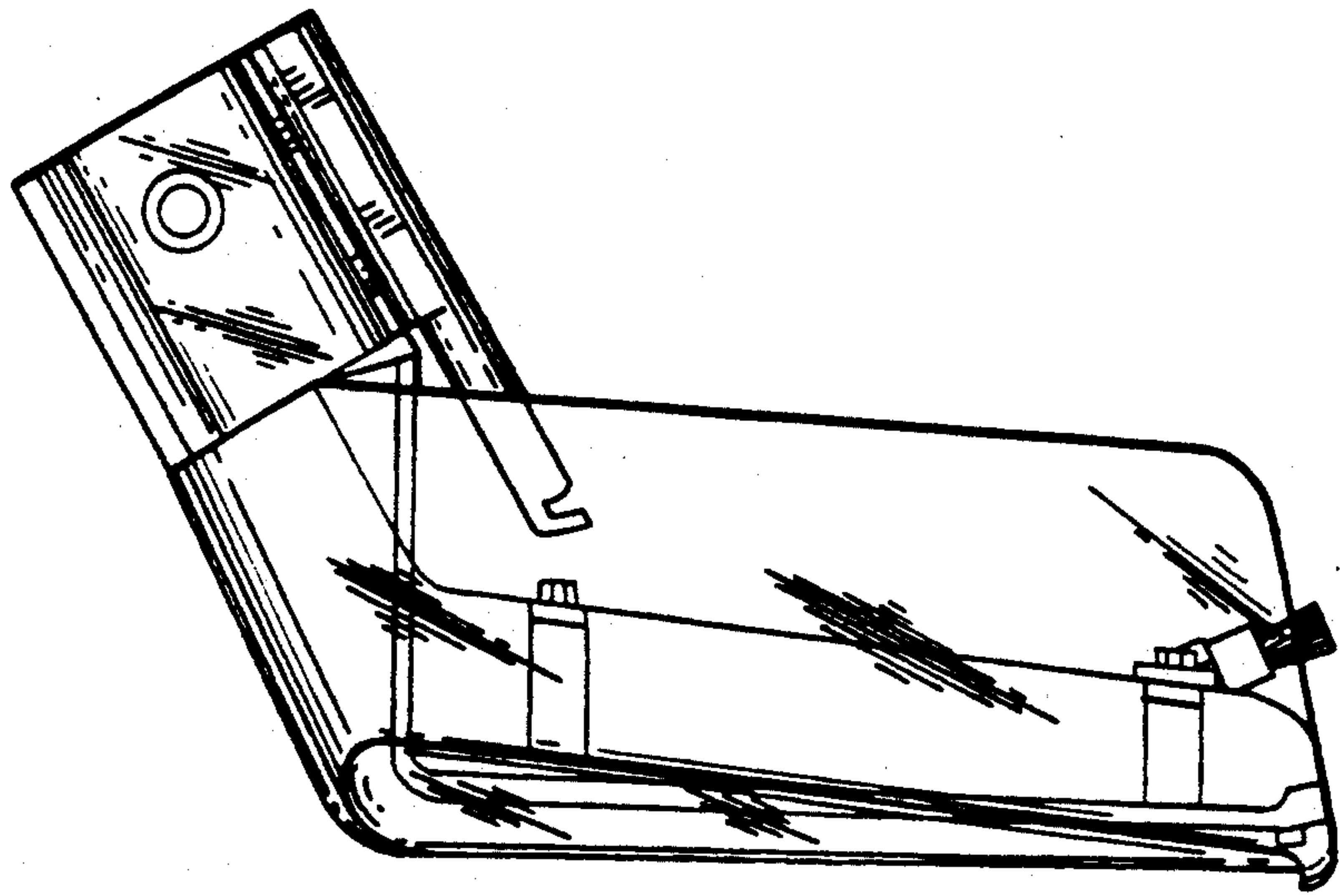


FIG. 2

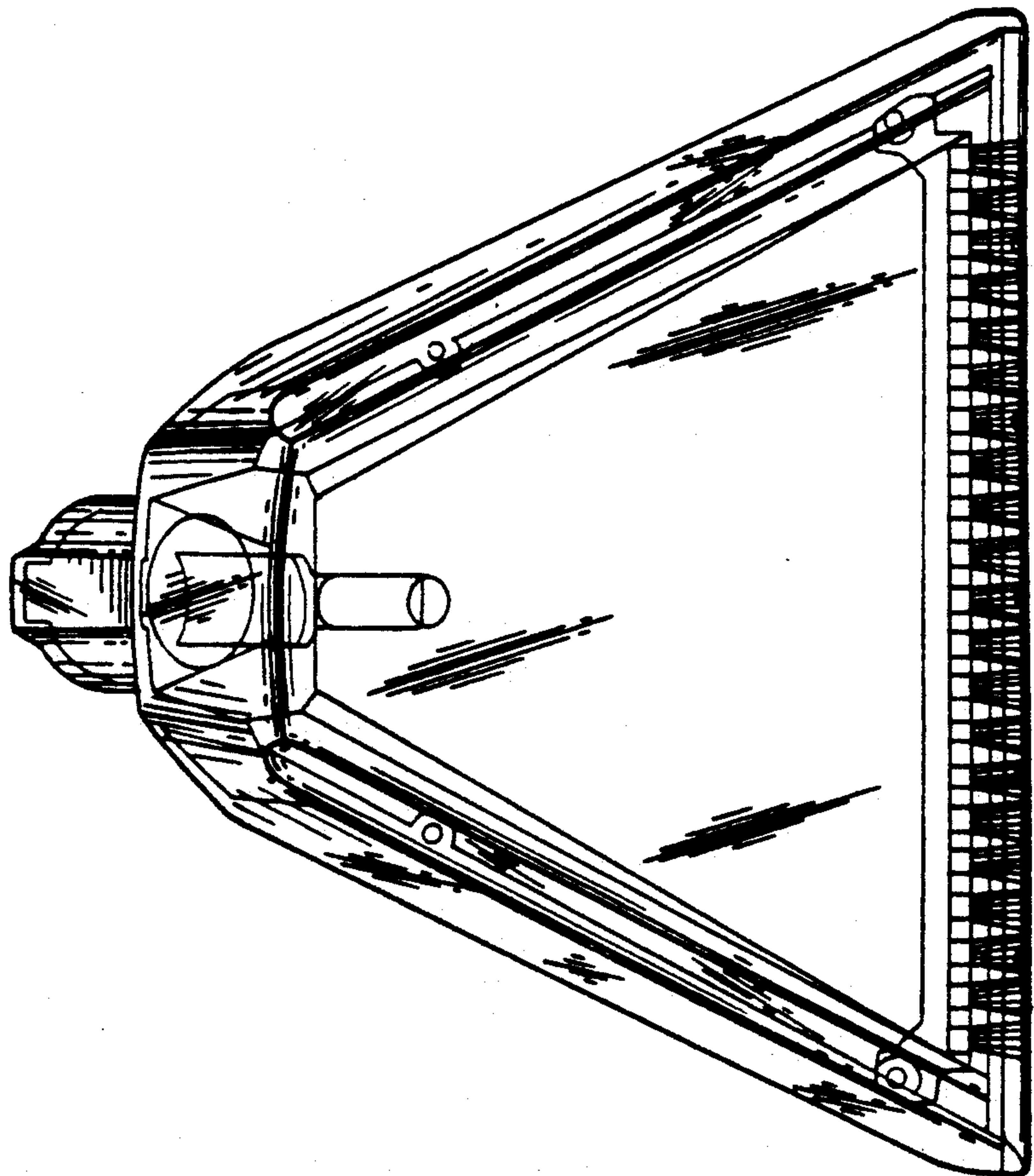


FIG. 4

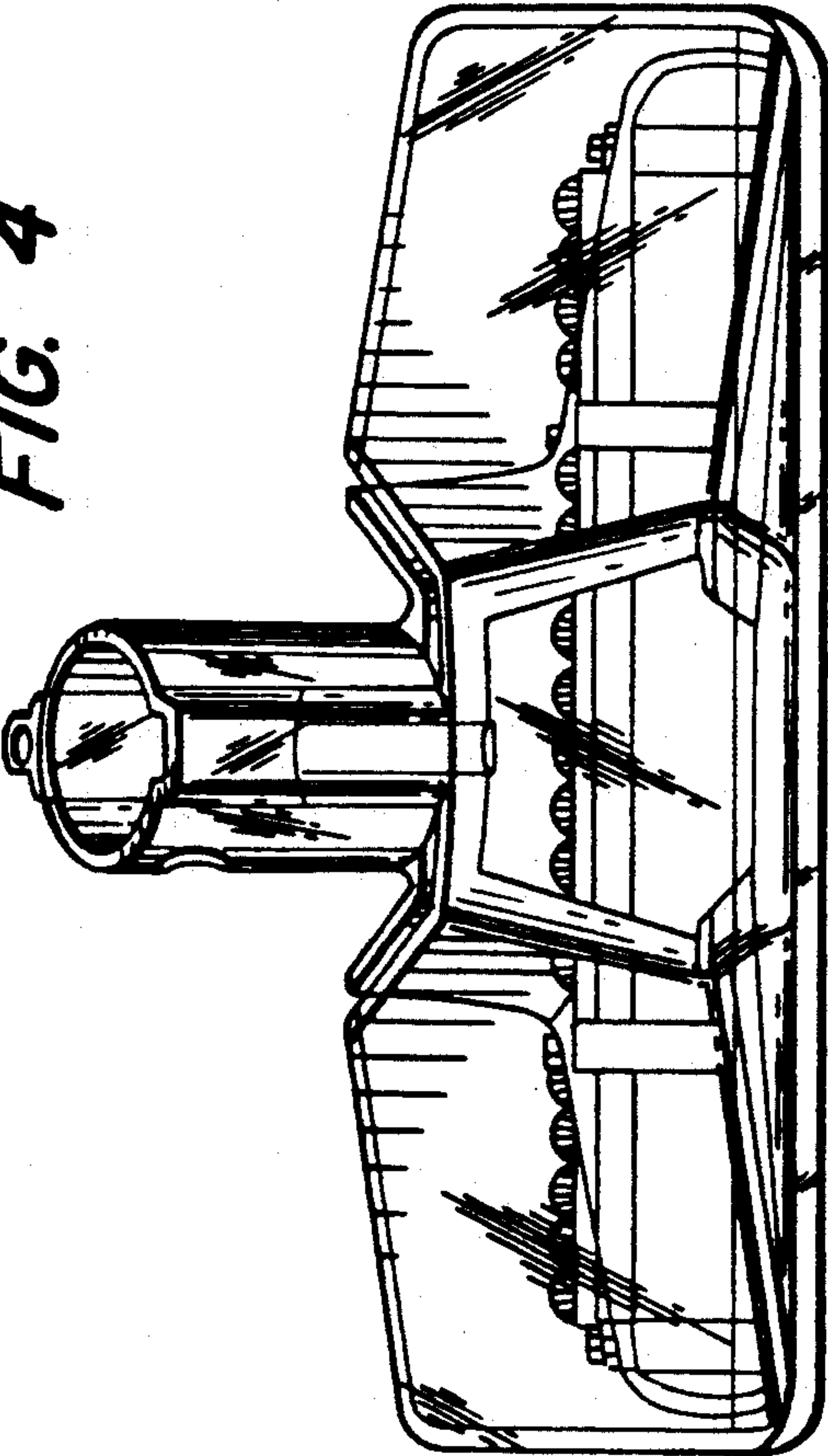


FIG. 5

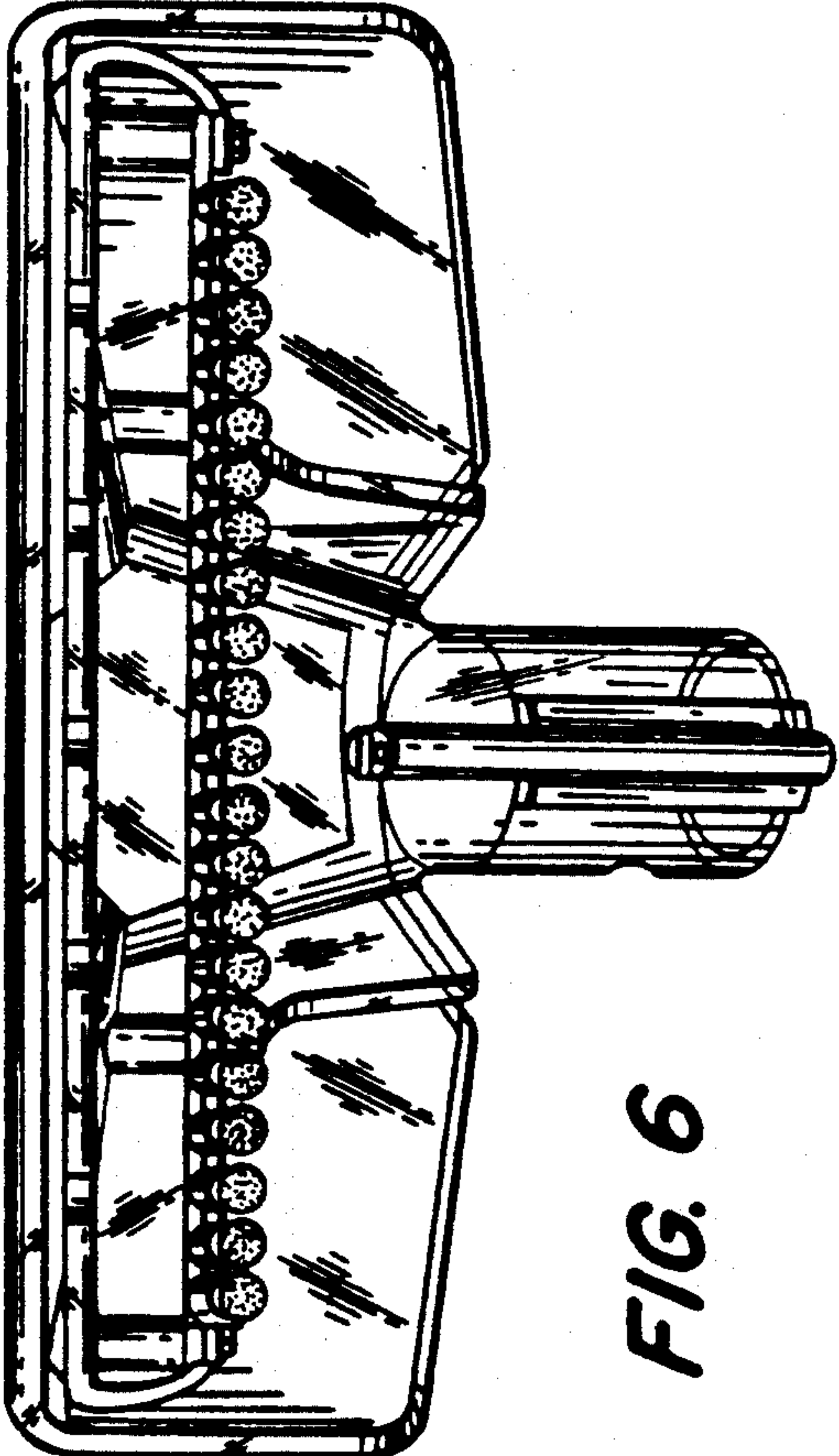
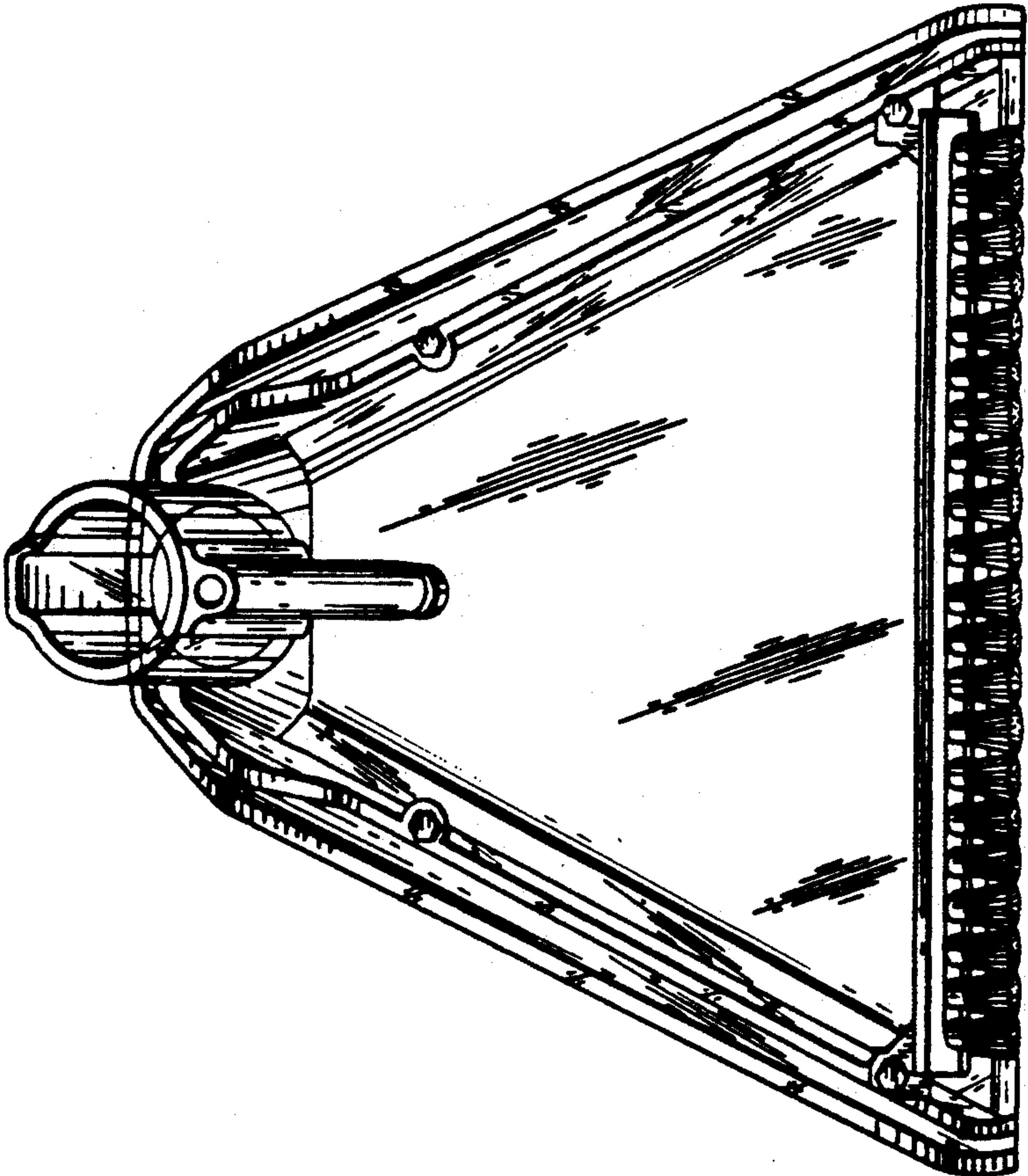


FIG. 6

*FIG. 7*

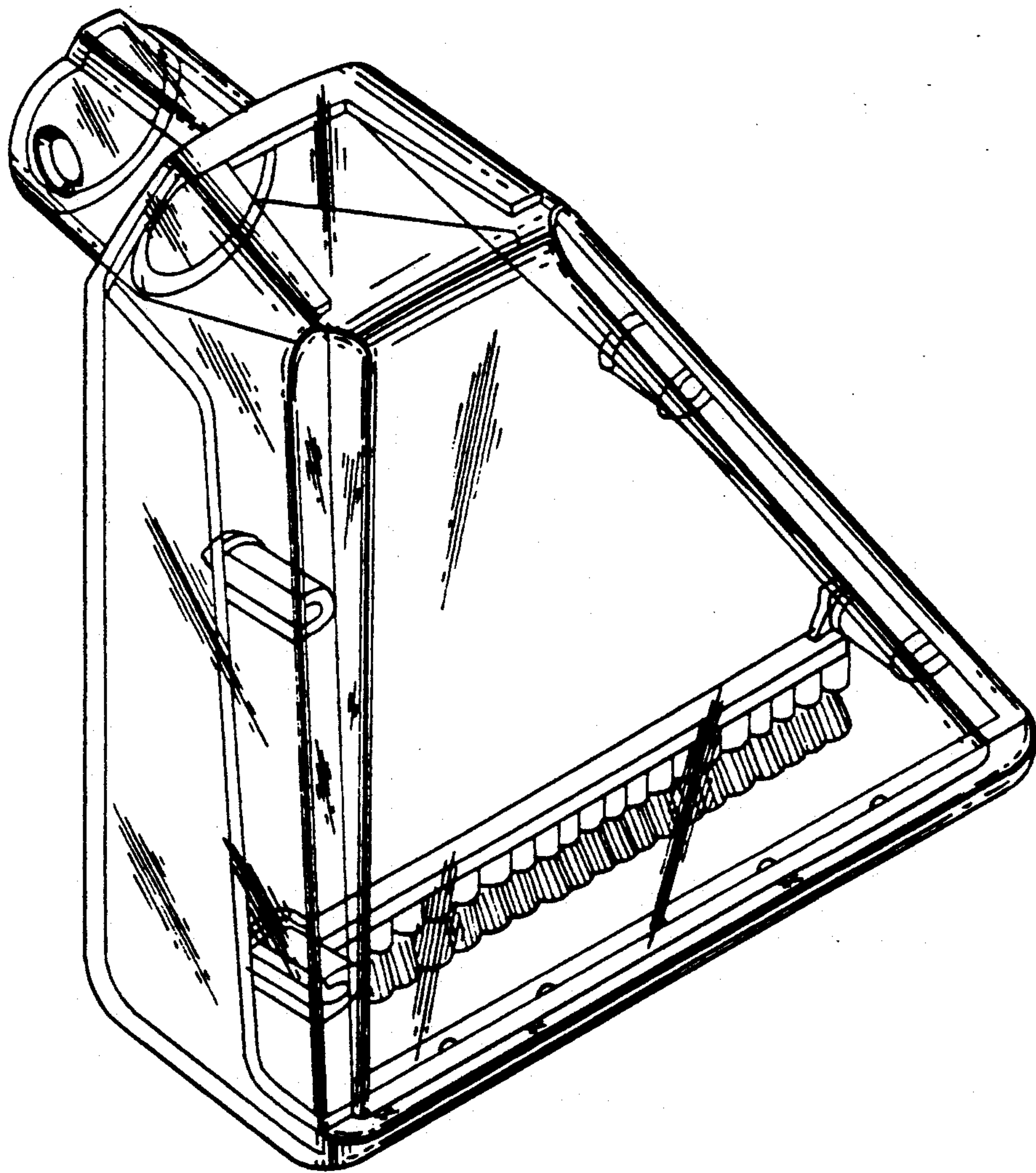




FIG. 9

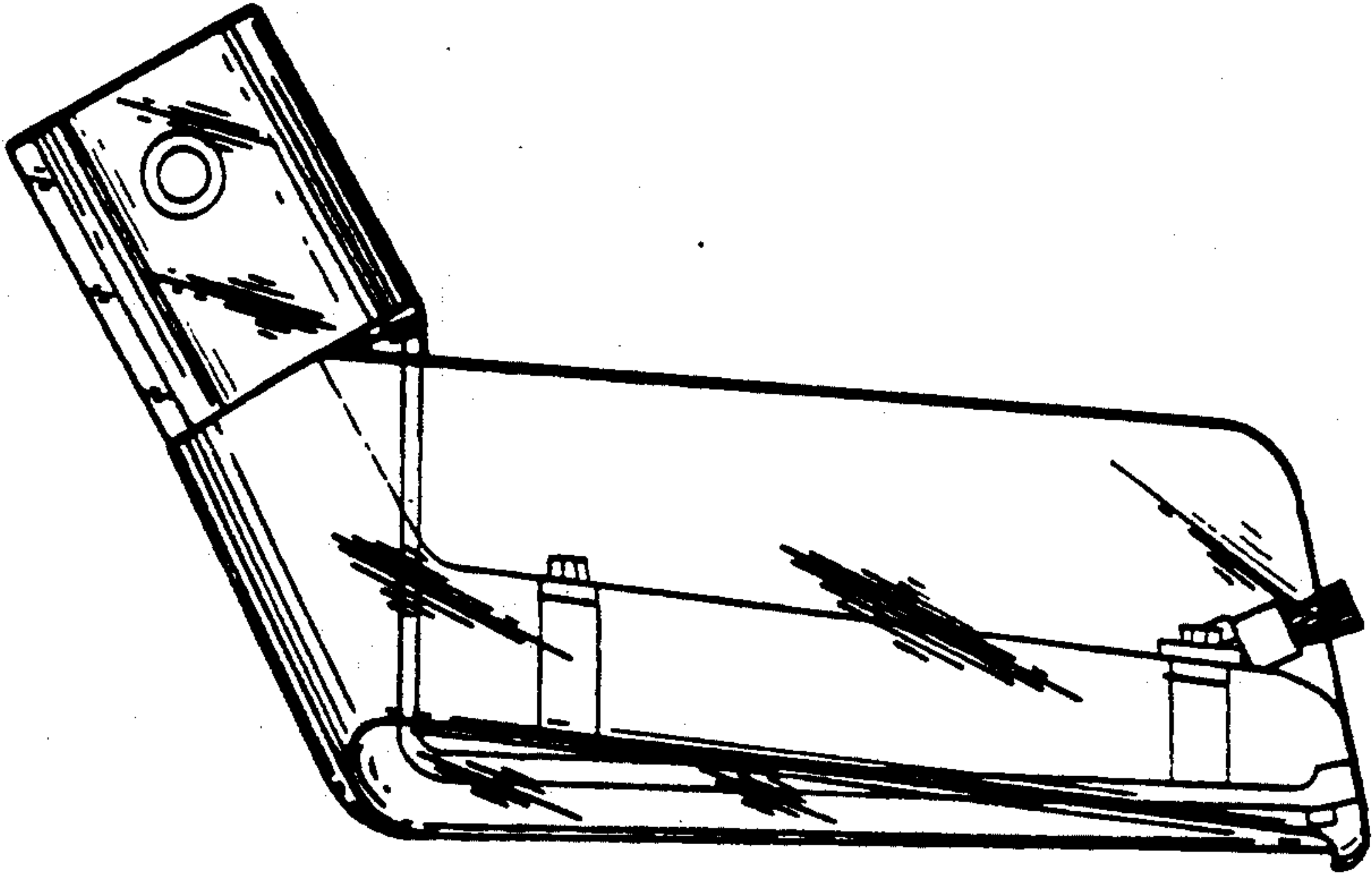
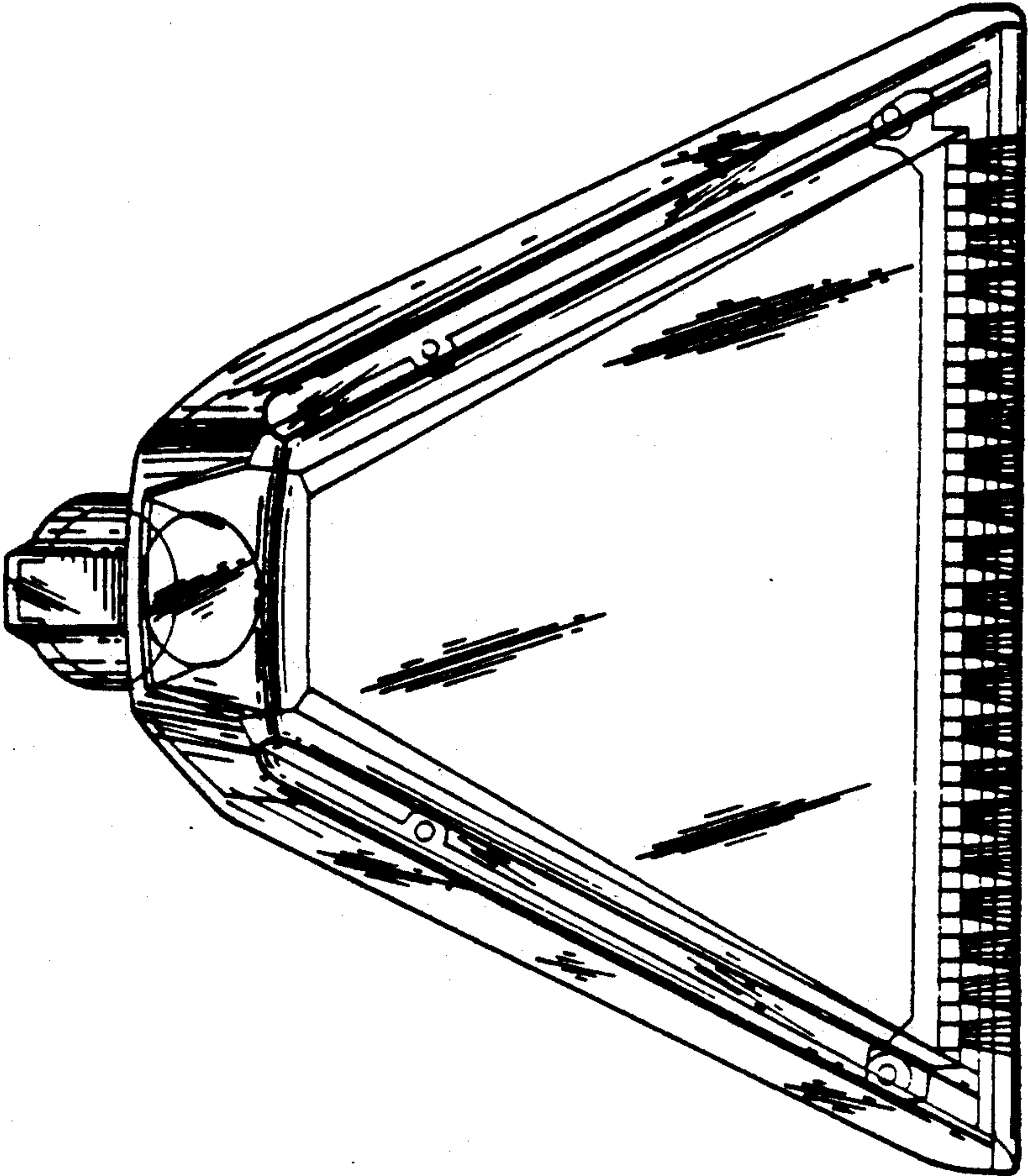
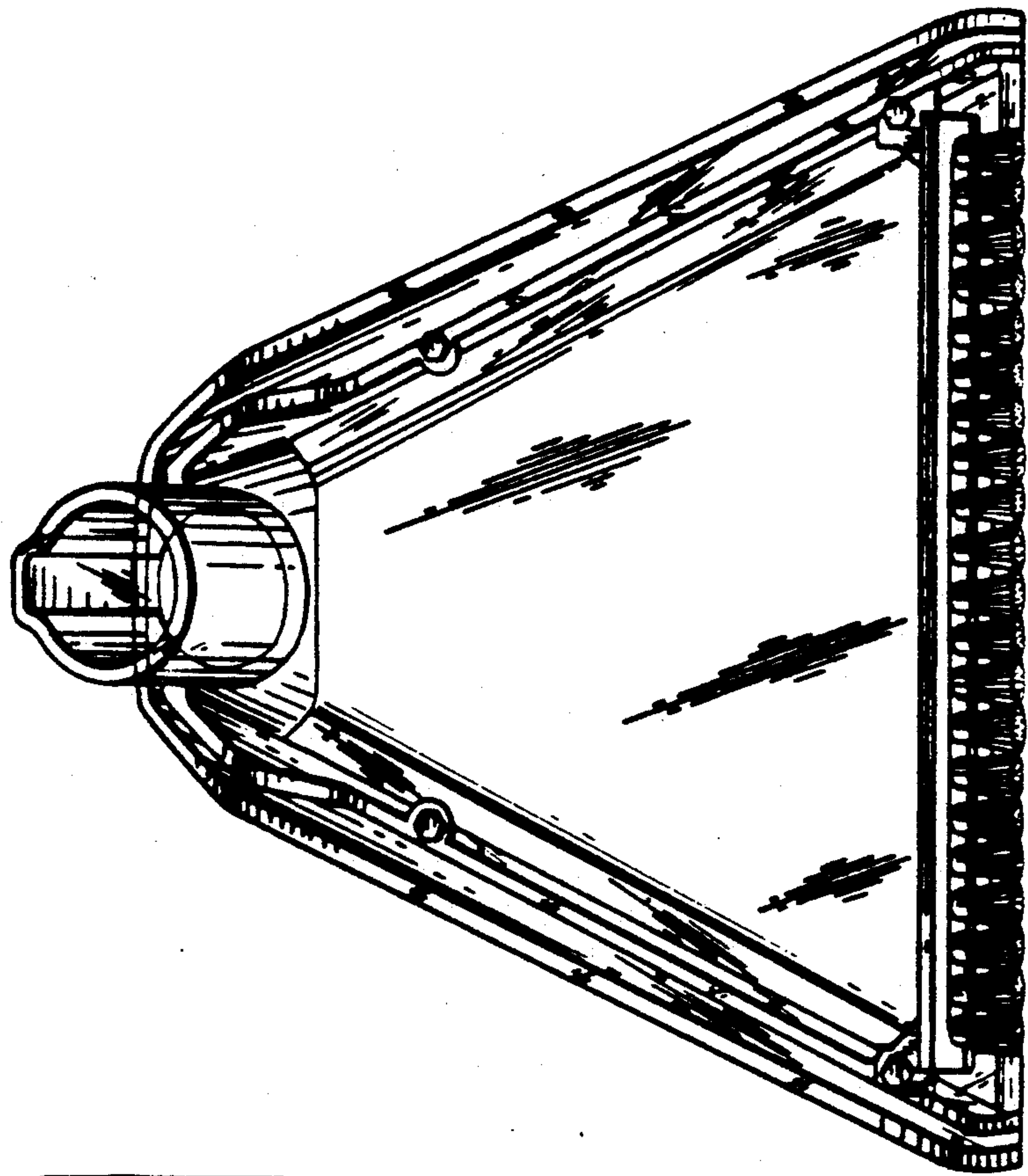


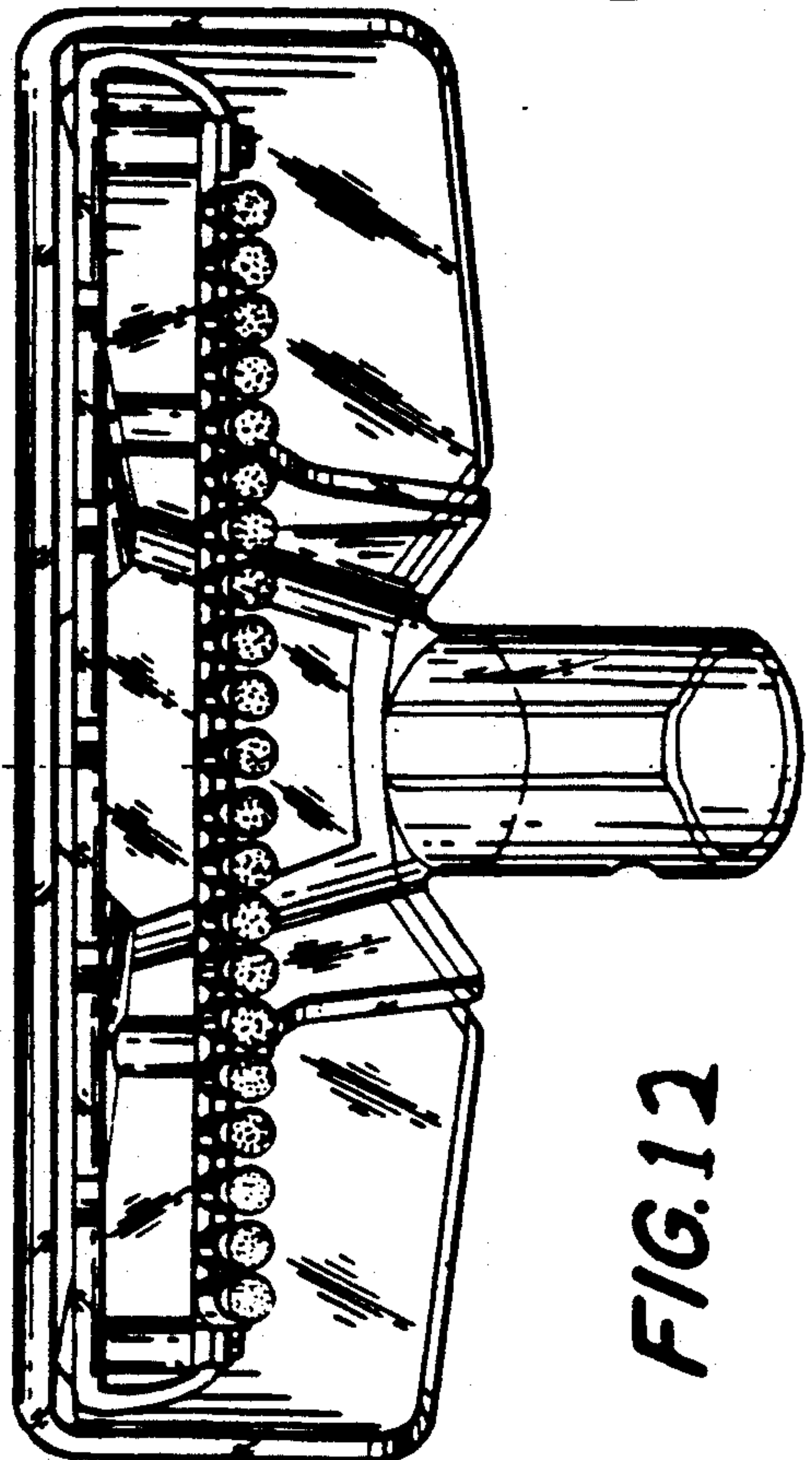
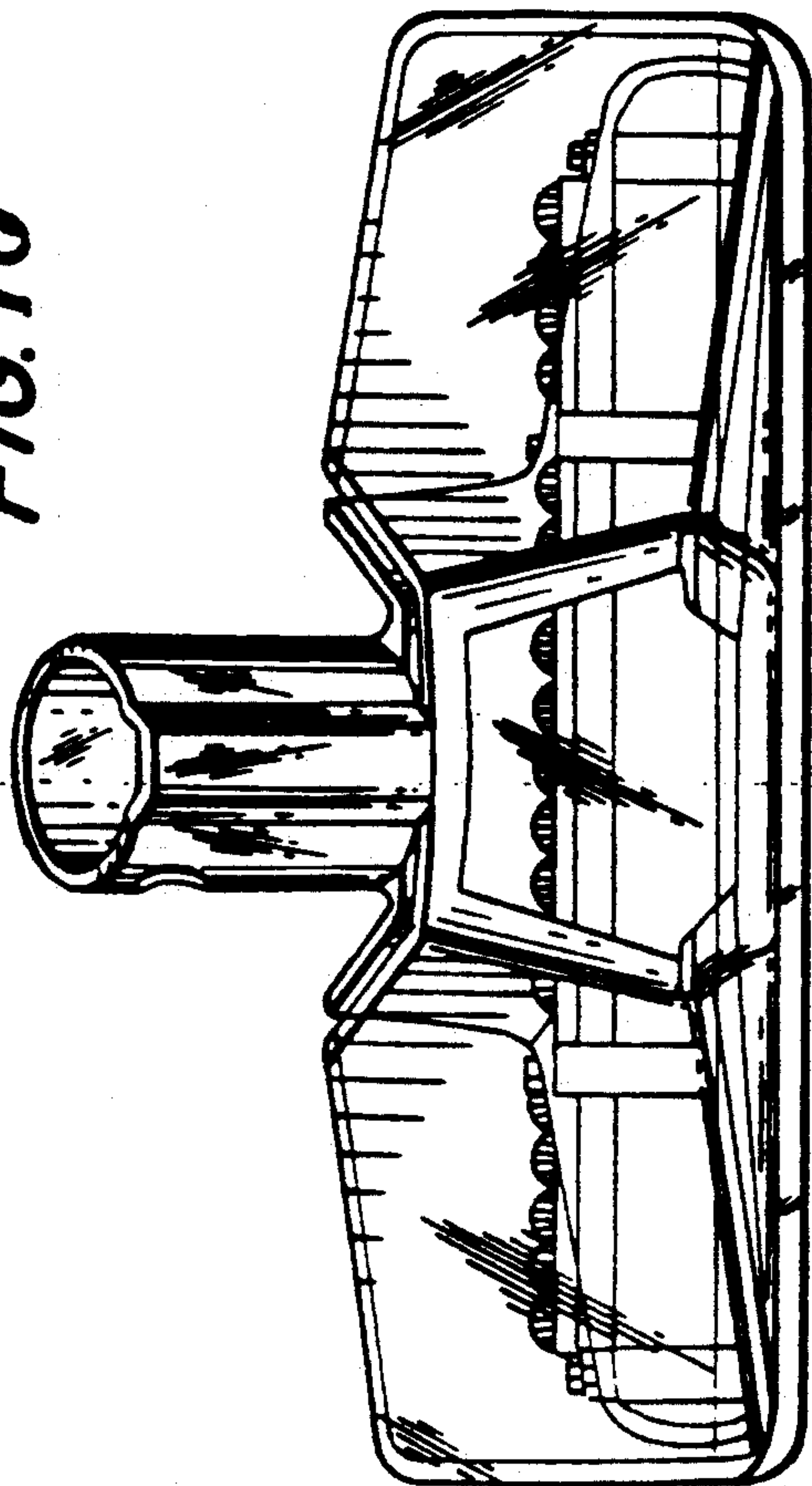
FIG. 8



**FIG. 11**



**FIG. 10**



**FIG. 12**