



US00D335940S

# United States Patent [19]

[11] Patent Number: **Des. 335,940**

McGrath et al.

[45] Date of Patent: **\*\* May 25, 1993**

[54] **PET FEEDING DISH**

[76] Inventors: **Sandra L. McGrath; Philip M. McGrath**, both of 1959 Shipway Ave., Long Beach, Calif. 90815

[\*\*] Term: **14 Years**

[21] Appl. No.: **718,859**

[22] Filed: **Jun. 21, 1991**

[52] U.S. Cl. .... **D30/130; D22/122; D7/550; D7/553**

[58] Field of Search ..... **D30/121-123, D30/129-133, 119-120; 119/61, 51.5, 51.11, 51.12, 52.4, 72, 73, 77, 158; D7/550, 553, 555-557, 616, 541; 43/107, 121, 131; D22/119, 122**

[56] **References Cited**

**U.S. PATENT DOCUMENTS**

D. 211,532	6/1968	Ashton	.....	D7/553
D. 262,069	11/1981	Khider	.....	D30/130
D. 294,531	3/1988	Neunzig	.....	D30/130
D. 296,404	6/1988	Lowenbein	.....	D7/553
D. 298,578	11/1988	Swartz et al.	.....	D30/130
D. 299,771	2/1989	Kennedy	.....	D30/130
D. 303,169	8/1989	Hovey	.....	D30/130
D. 305,191	12/1989	Wasserman	.....	D7/555

D. 312,895	12/1990	Goetz	.....	D30/129
D. 326,742	6/1992	Tart	.....	D30/130
355,366	1/1887	Wise et al.	.....	43/121
2,167,978	8/1939	Jennerich	.....	43/121
3,491,724	1/1970	Sunner	.....	119/61
4,357,905	11/1982	Carpenter	.....	119/61
4,896,627	1/1990	Riddell	.....	119/51.5

**FOREIGN PATENT DOCUMENTS**

0387564	9/1990	European Pat. Off.	.....	119/61
---------	--------	--------------------	-------	--------

*Primary Examiner*—A. Hugo Word  
*Assistant Examiner*—Cathy Anne MacCormac  
*Attorney, Agent, or Firm*—Terry M. Gernstein

[57] **CLAIM**

The ornamental design for a pet feeding dish, as shown and described.

**DESCRIPTION**

FIG. 1 is a perspective view of a pet feeding dish showing my new design;  
FIG. 2 is a front elevational view thereof;  
FIG. 3 is a rear elevational view thereof;  
FIG. 4 is a typical side elevational view thereof, all sides being identical to the side shown in FIG. 4;  
FIG. 5 is a top plan view thereof; and,  
FIG. 6 is a bottom view thereof.

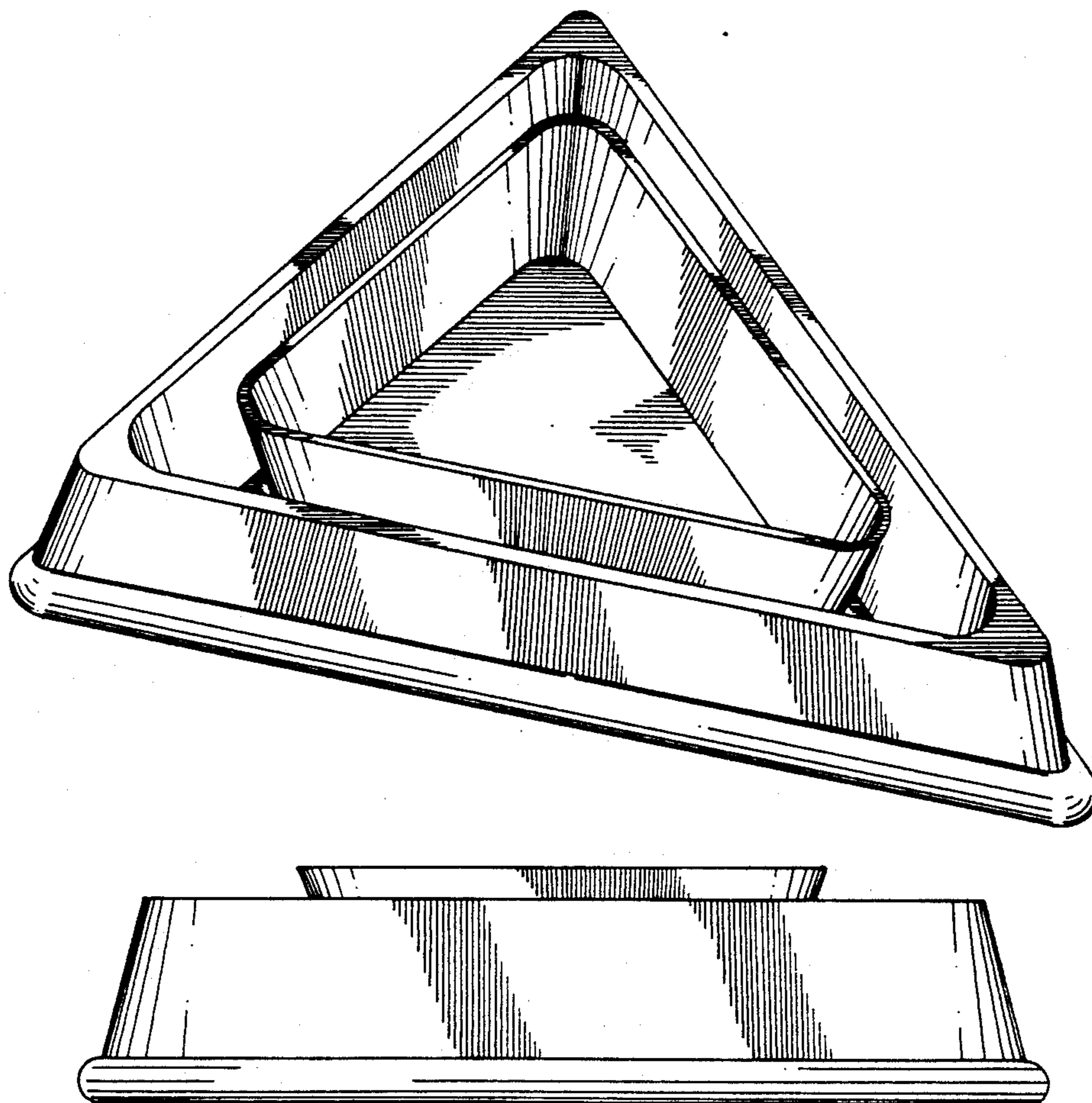
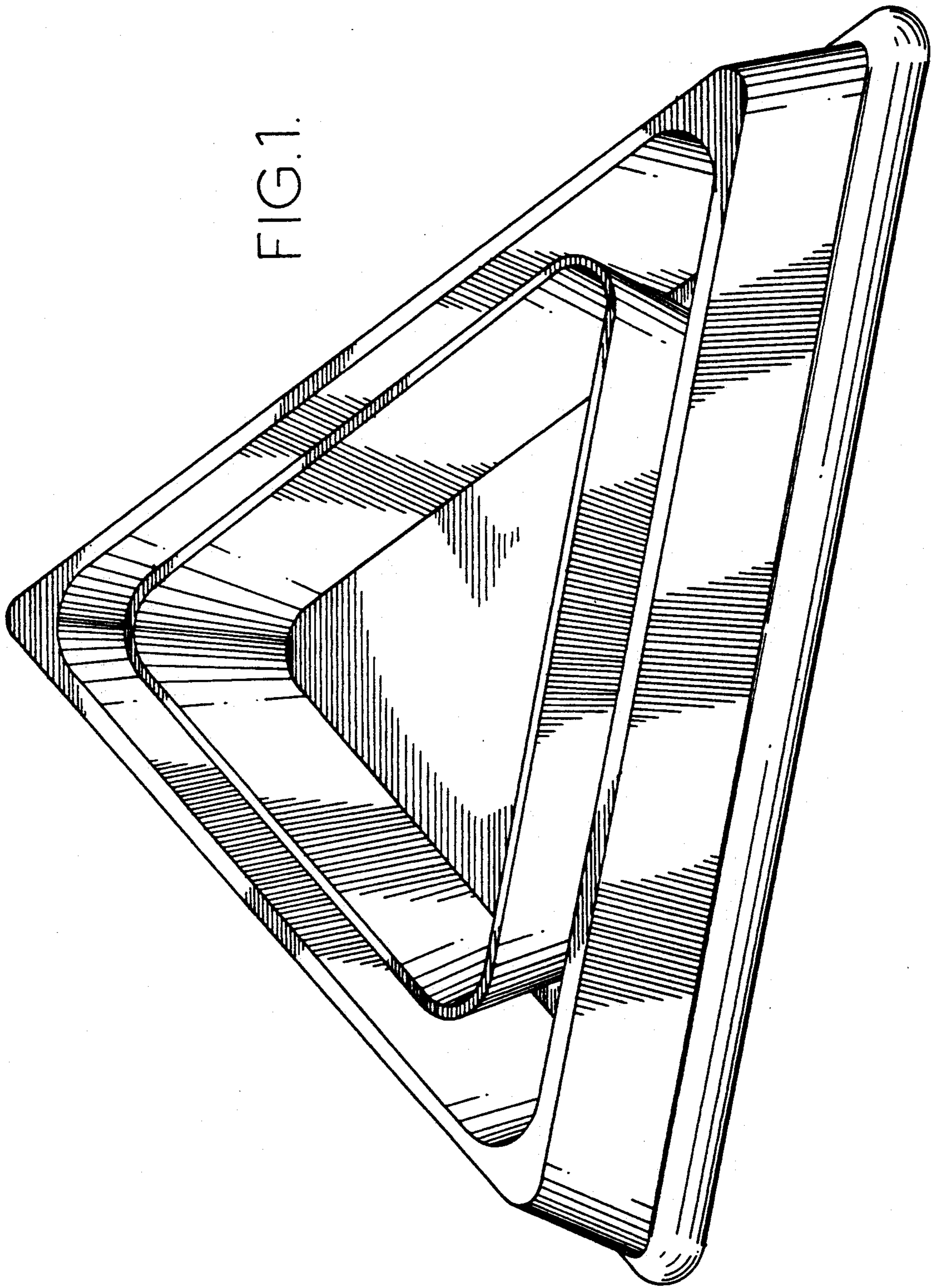


FIG. 1.



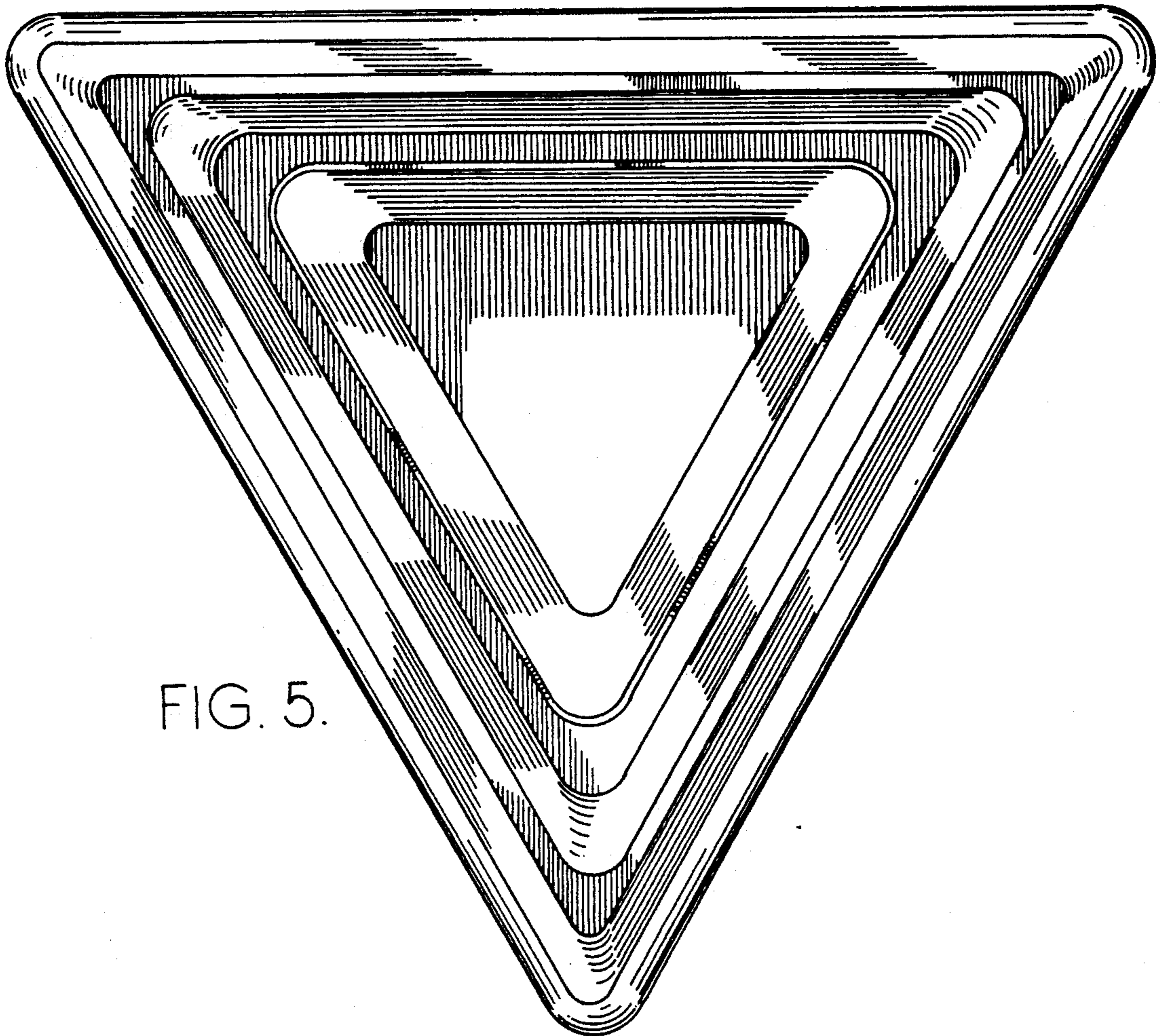


FIG. 5.

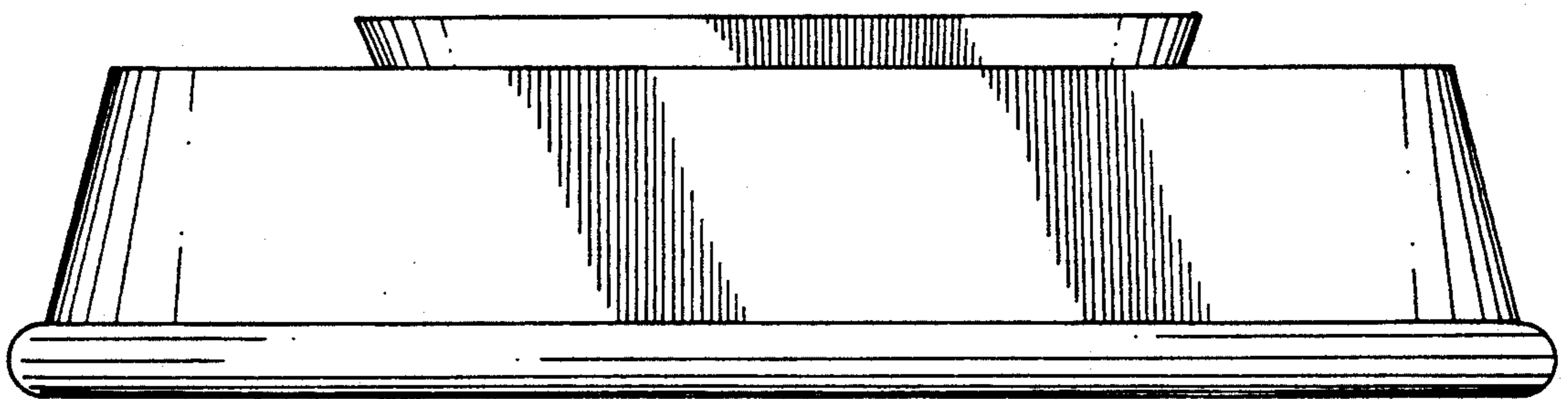


FIG. 2.

FIG. 3.

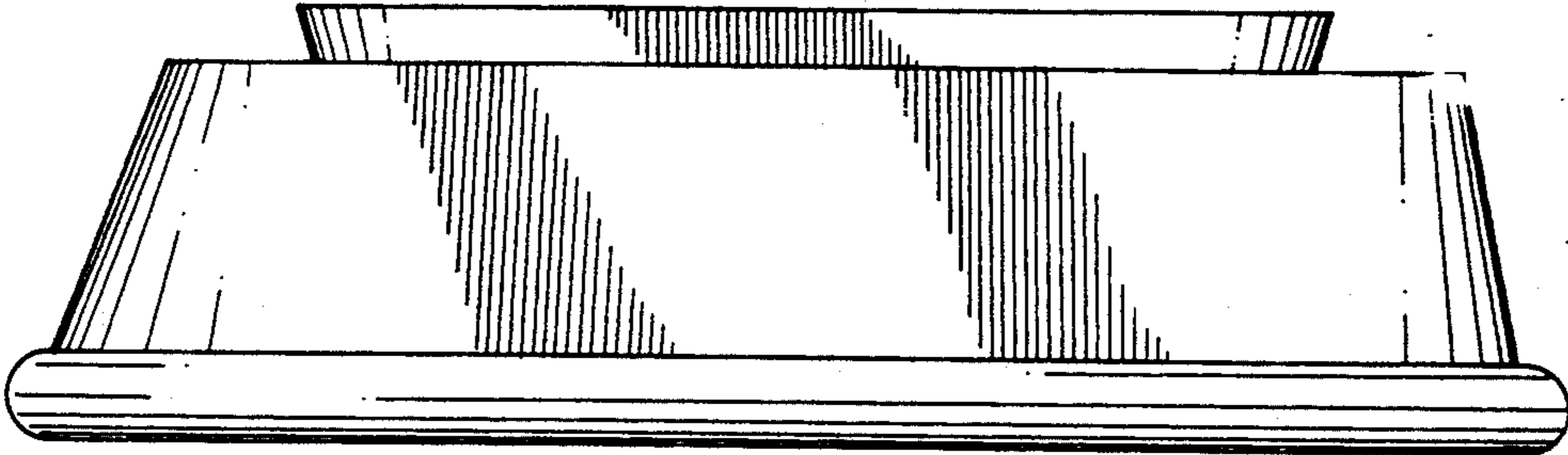


FIG. 4.

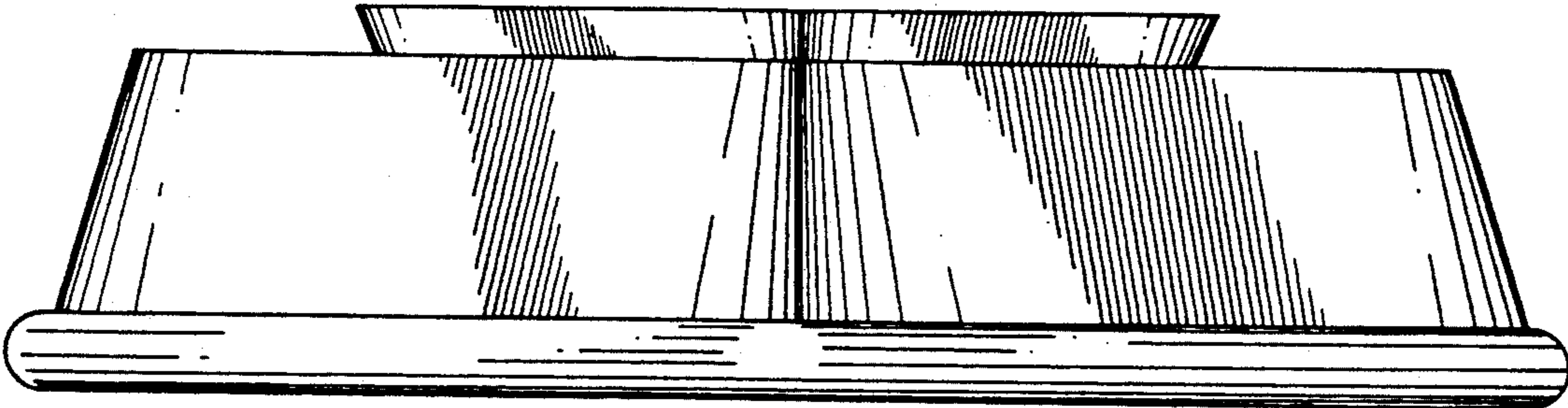


FIG. 6.

