



US00D335936S

United States Patent [19]

[11] Patent Number: **Des. 335,936**

Lou

[45] Date of Patent: **** May 25, 1993**

[54] LIPSTICK CASE

[75] Inventor: **Kun-Lan Lou, Changhua City, Taiwan**

[73] Assignee: **Jia Hsing Enterprise Co., Ltd., Taiwan**

[**] Term: **14 Years**

[21] Appl. No.: **614,649**

[22] Filed: **Nov. 16, 1990**

[52] U.S. Cl. **D28/86**

[58] Field of Search **D9/337, 338, 341; D28/76, 77, 85, 86; 132/317, 318, 320; 206/385, 581, 823; 222/23.2, 23.4**

[56] References Cited

U.S. PATENT DOCUMENTS

| | | | |
|------------|--------|--------------------|----------|
| D. 205,196 | 7/1966 | Wikke | D9/341 |
| D. 301,771 | 6/1989 | Bakic | D28/76 |
| D. 319,708 | 9/1991 | Cassai et al. | D28/7 |
| 2,628,624 | 2/1953 | LeMario | 401/31 |
| 3,194,426 | 7/1965 | Brown, Jr. | 220/23.4 |
| 5,044,804 | 9/1991 | Chuang | 401/35 X |

FOREIGN PATENT DOCUMENTS

1014270 8/1952 France 401/35

Primary Examiner—Bernard Ansher

Assistant Examiner—C. Tuttle

Attorney, Agent, or Firm—Browdy and Neimark

[57] CLAIM

The ornamental design for lipstick case, as shown and described.

DESCRIPTION

FIG. 1 is a front elevational view of a lipstick case showing my new design;

FIG. 2 is a rear elevational view thereof;

FIG. 3 is a top plan view thereof;

FIG. 4 is a bottom plan view thereof;

FIG. 5 is a left side elevational view thereof;

FIG. 6 is a right side elevational view thereof;

FIG. 7 is a perspective view thereof;

FIG. 8 is a partially exploded perspective view thereof;

FIG. 9 is a top plan view of the assembled container units thereof shown without the overcap;

FIG. 10 is an elevational view thereof disclosing the opposite side of two conjoint container units illustrated in FIG. 8; and,

FIG. 11 is a side elevational view of the units illustrated in FIG. 8.

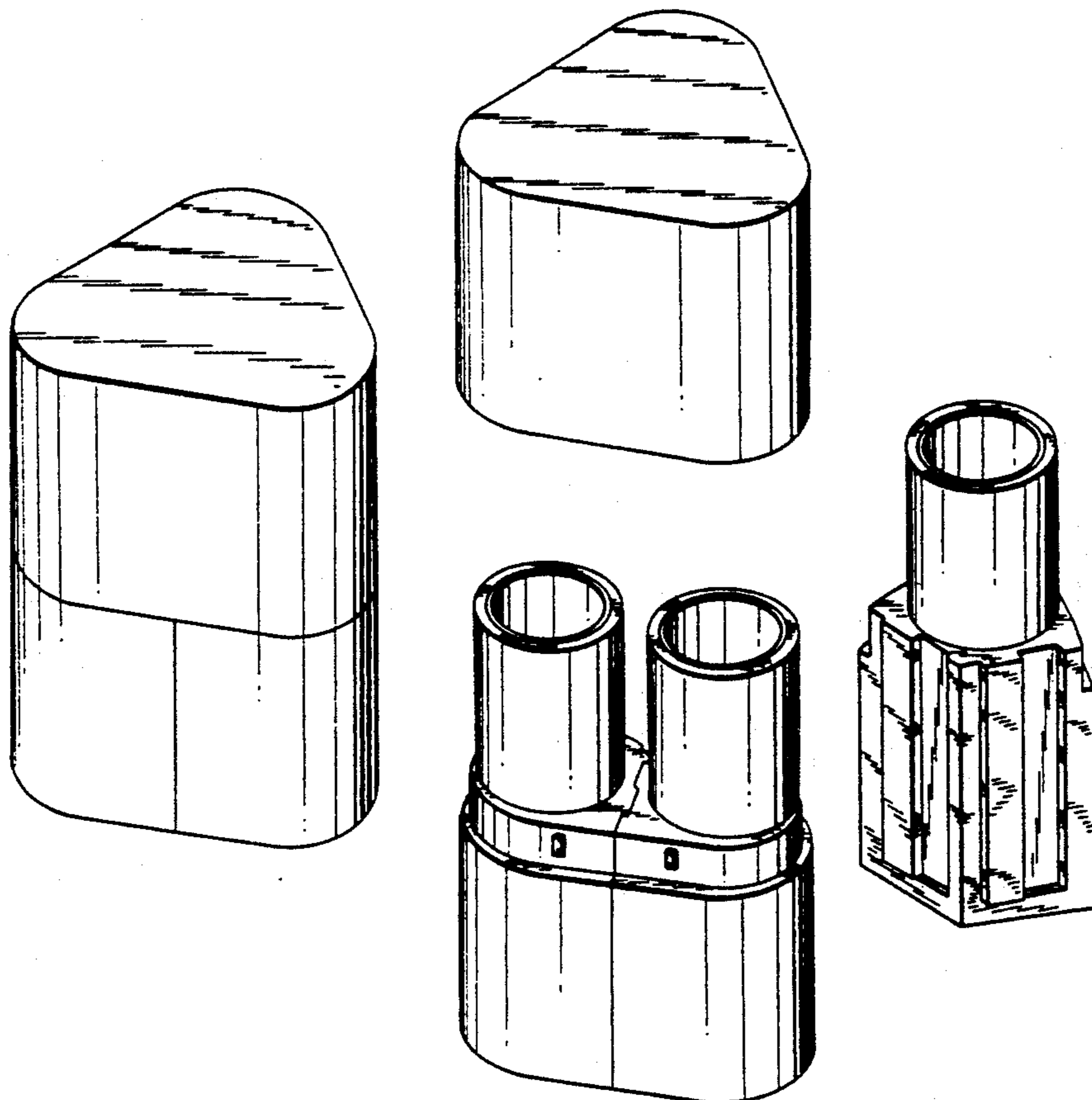


FIG. 1

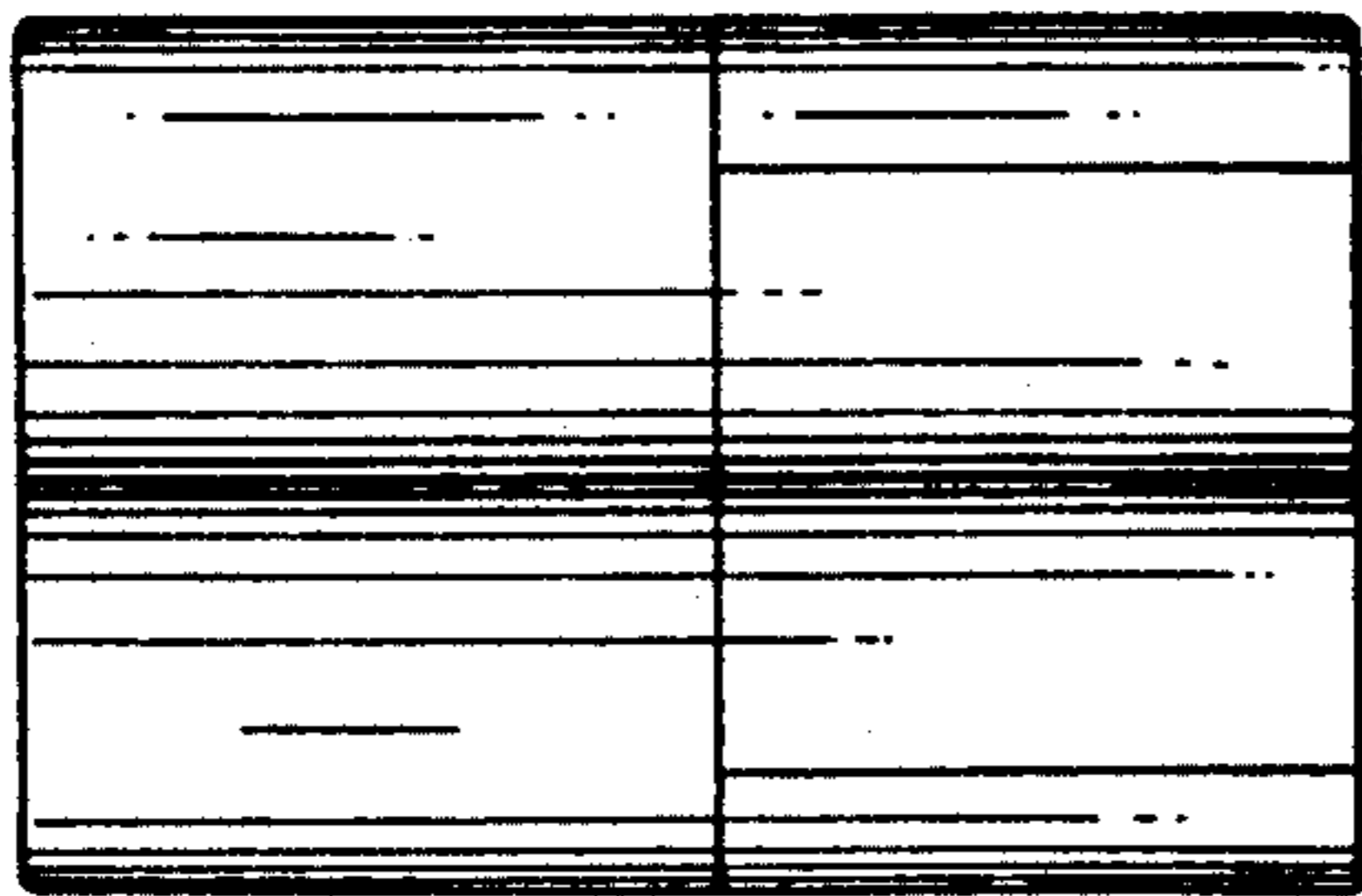


FIG. 5

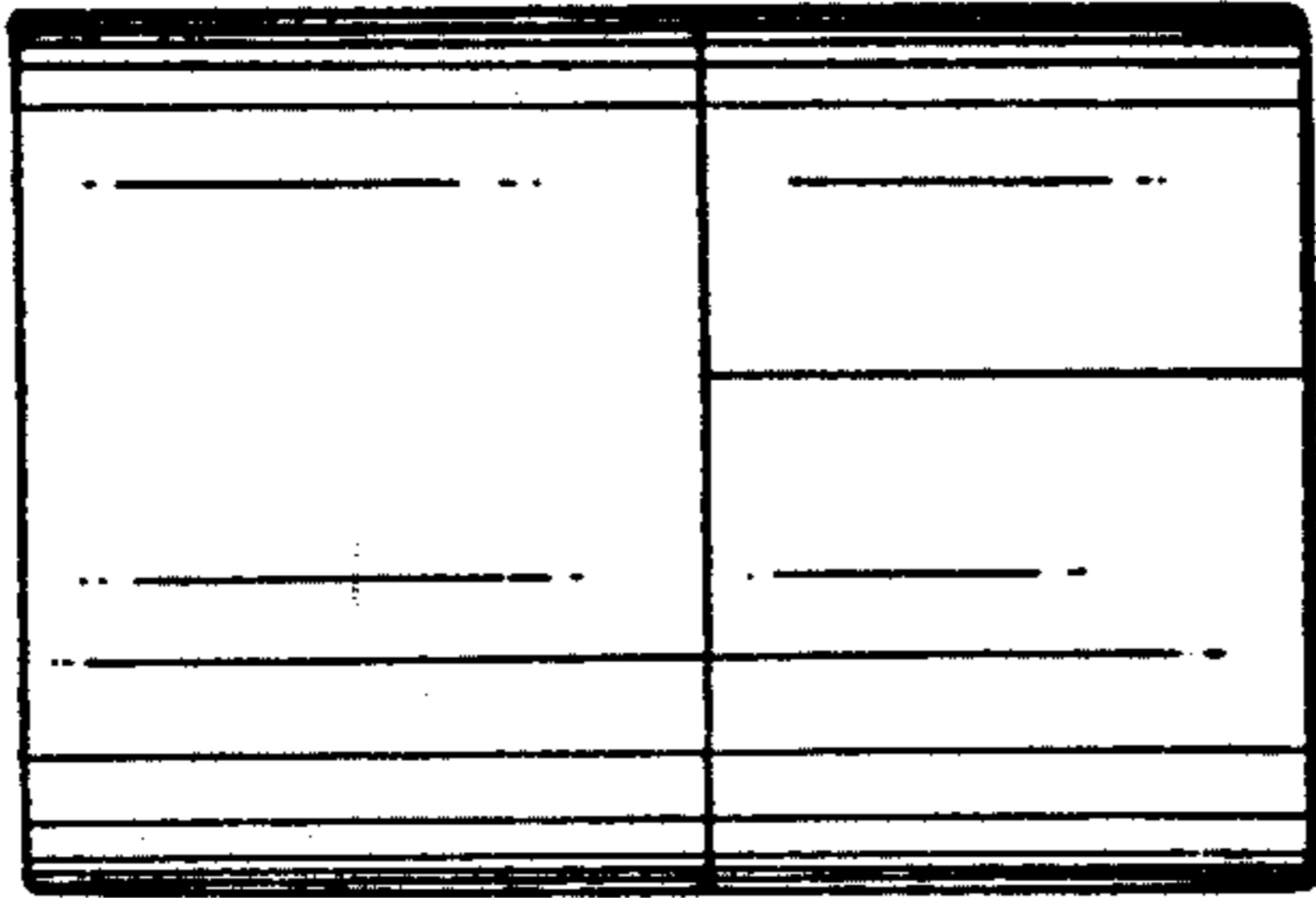


FIG. 2

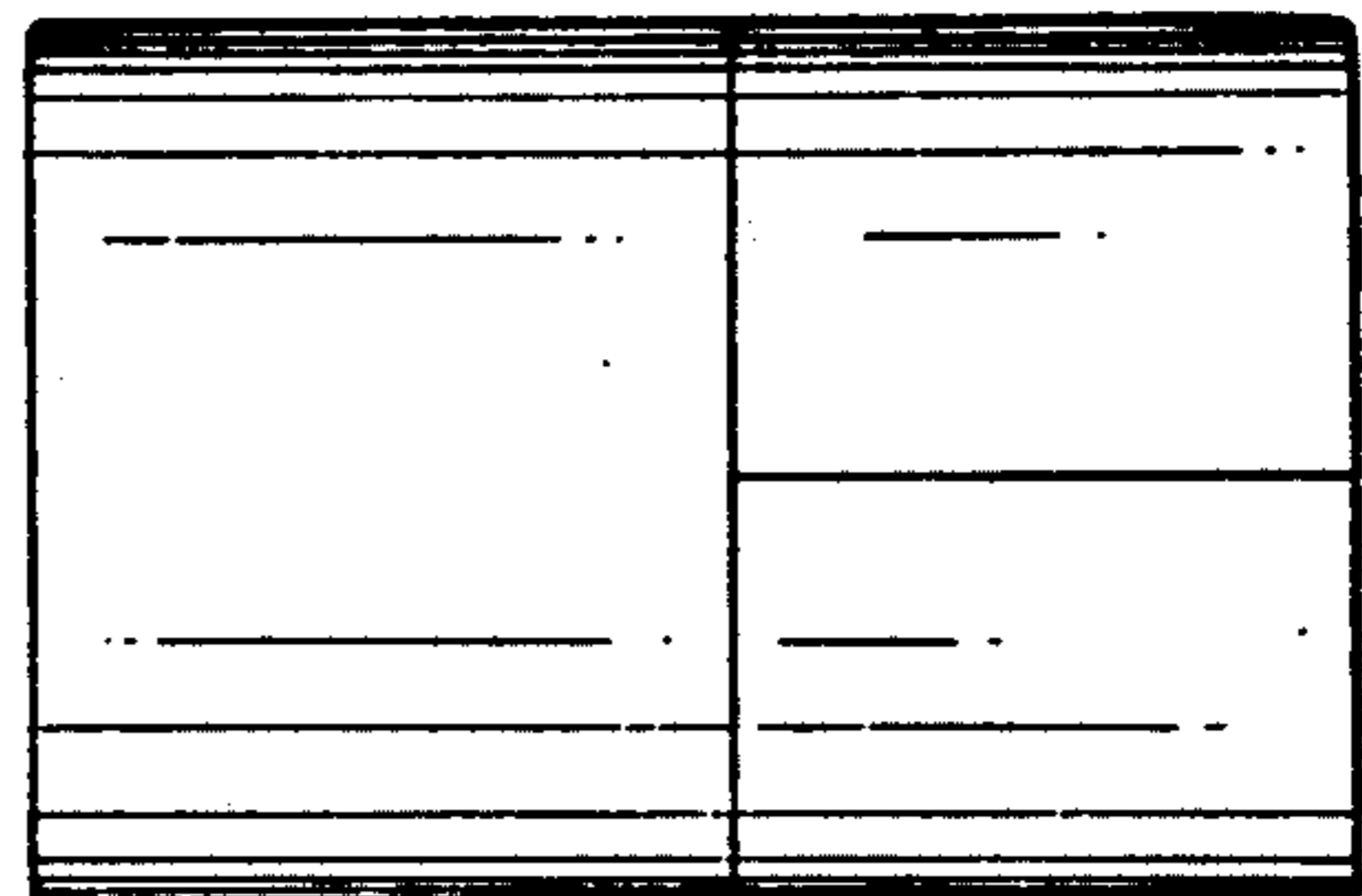


FIG. 6

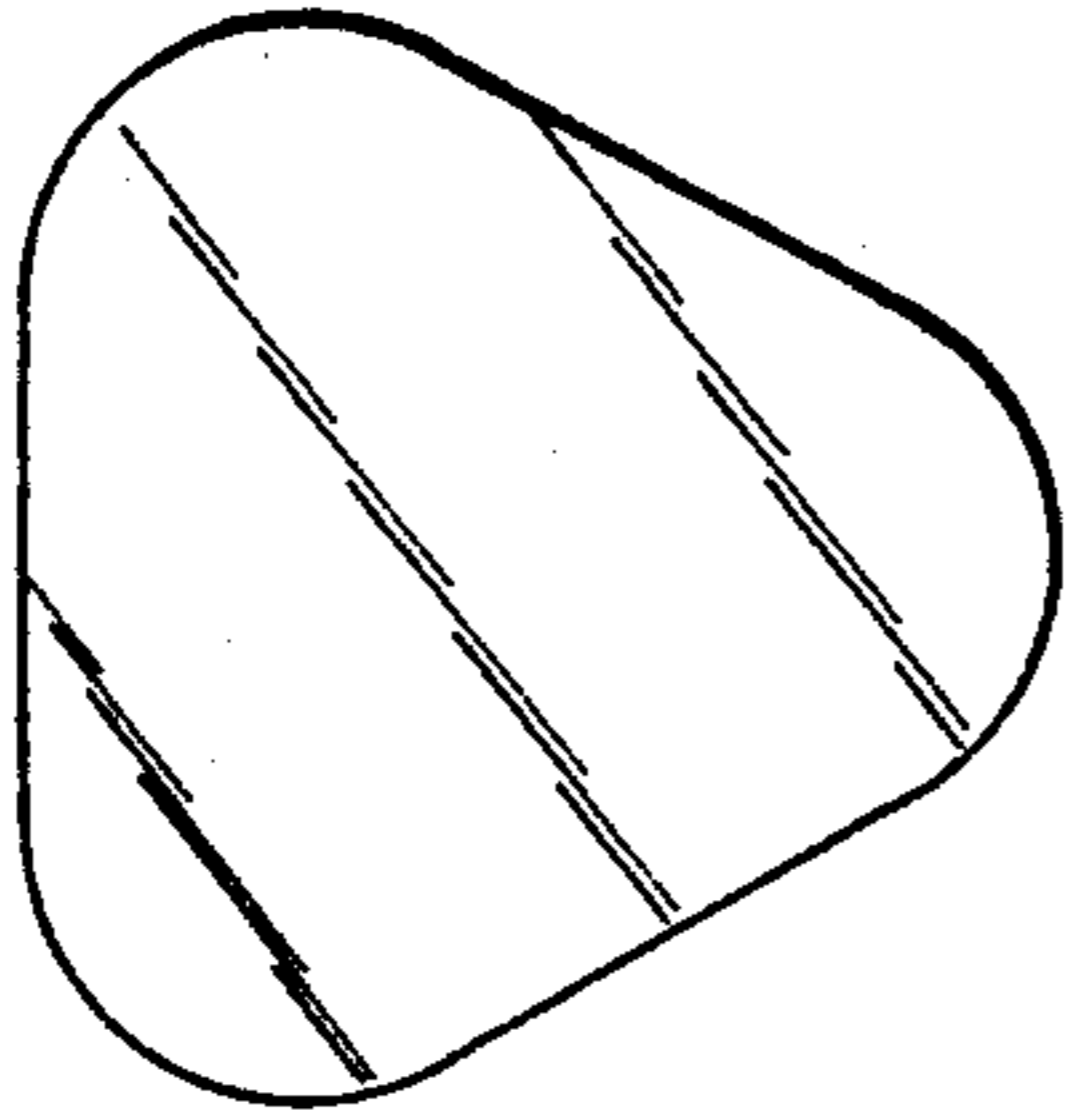
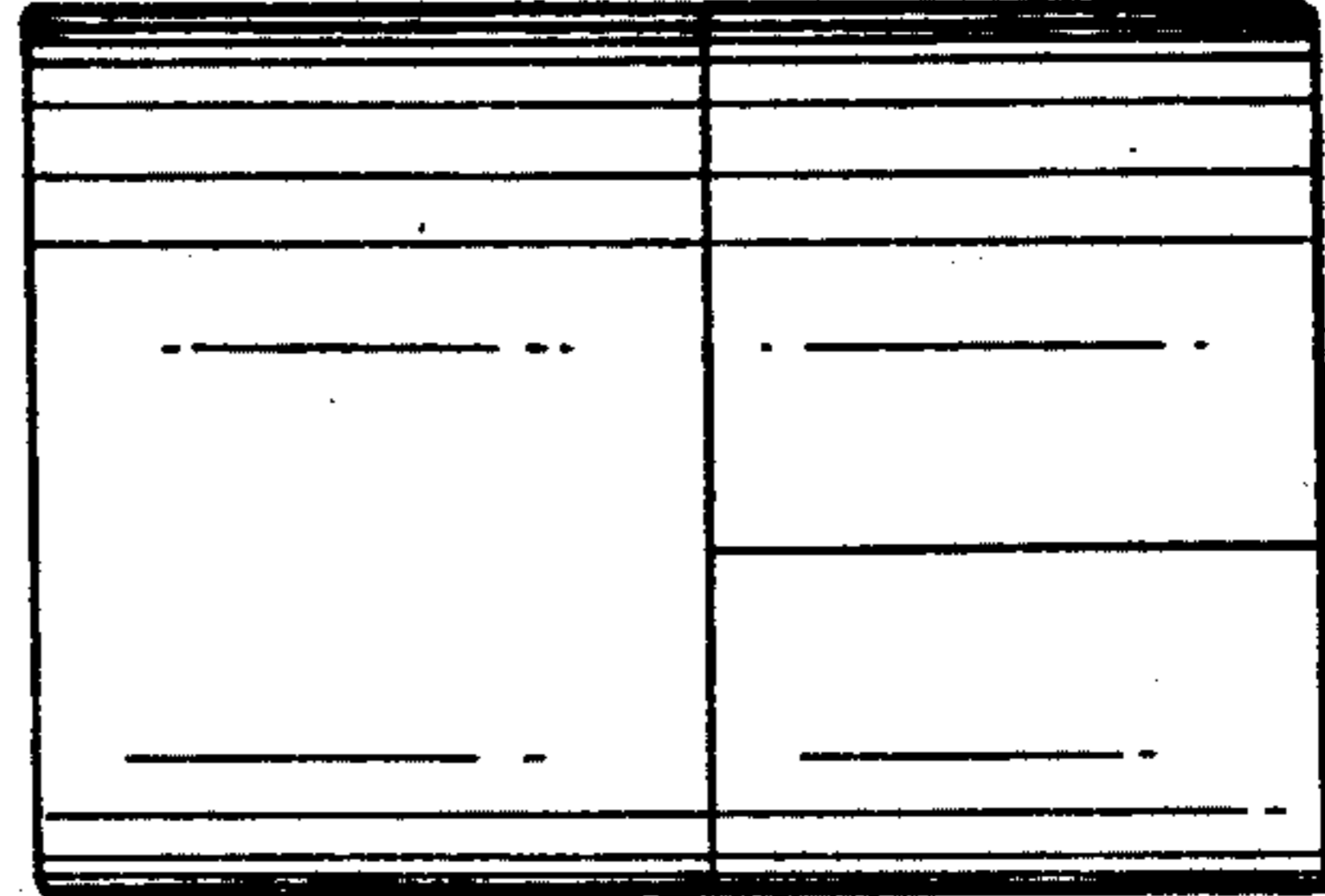


FIG. 3

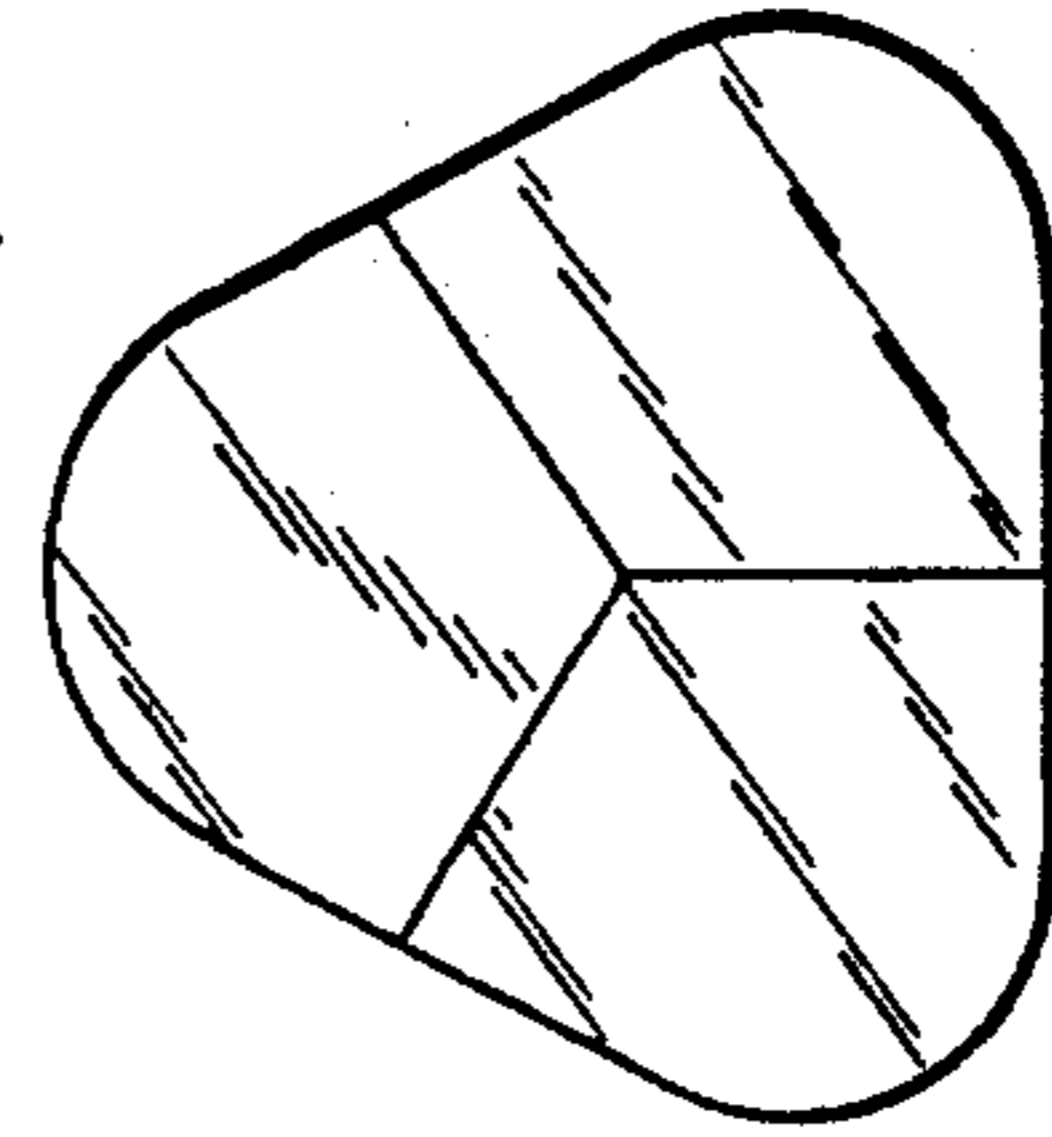


FIG. 4

FIG. 7

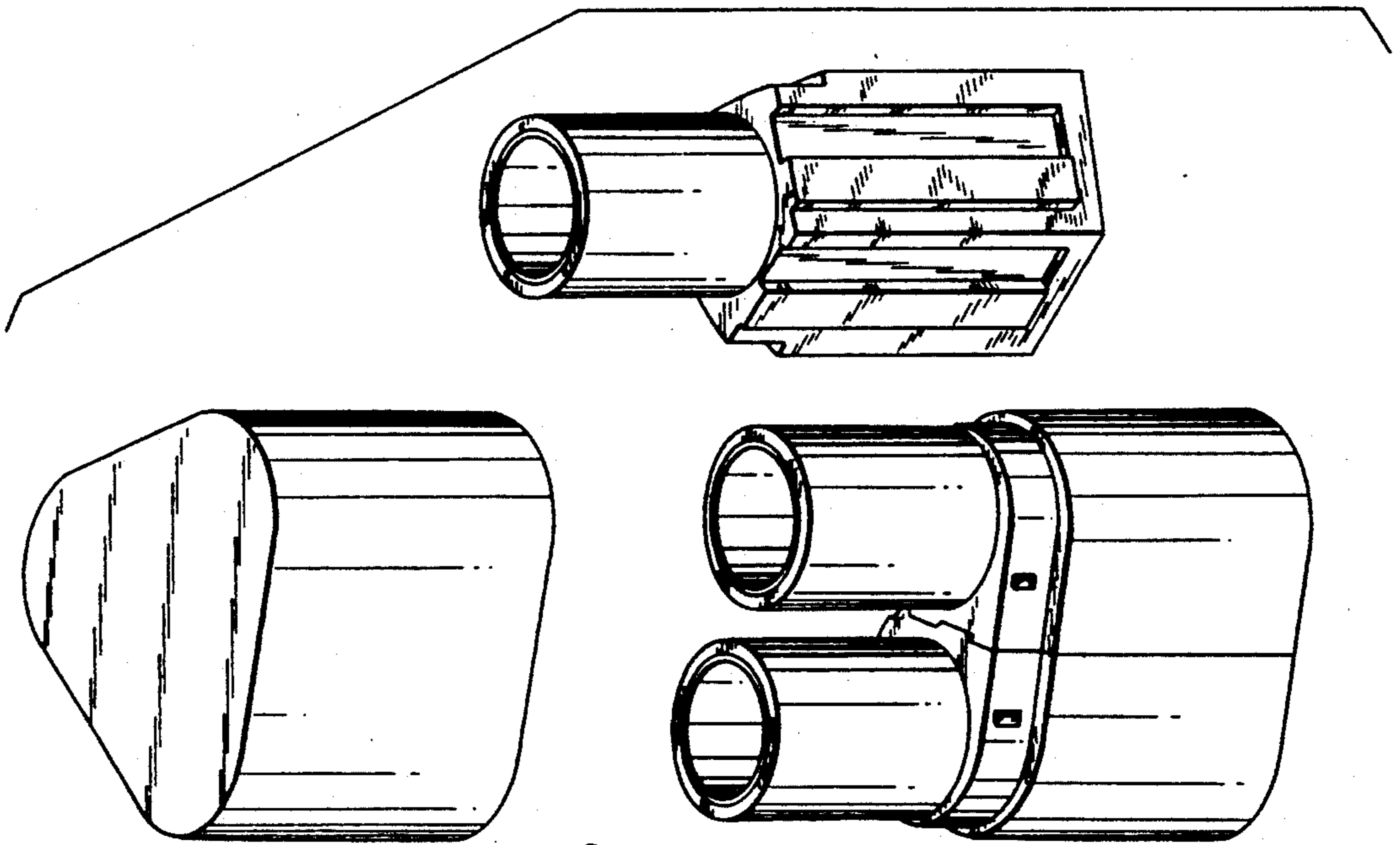
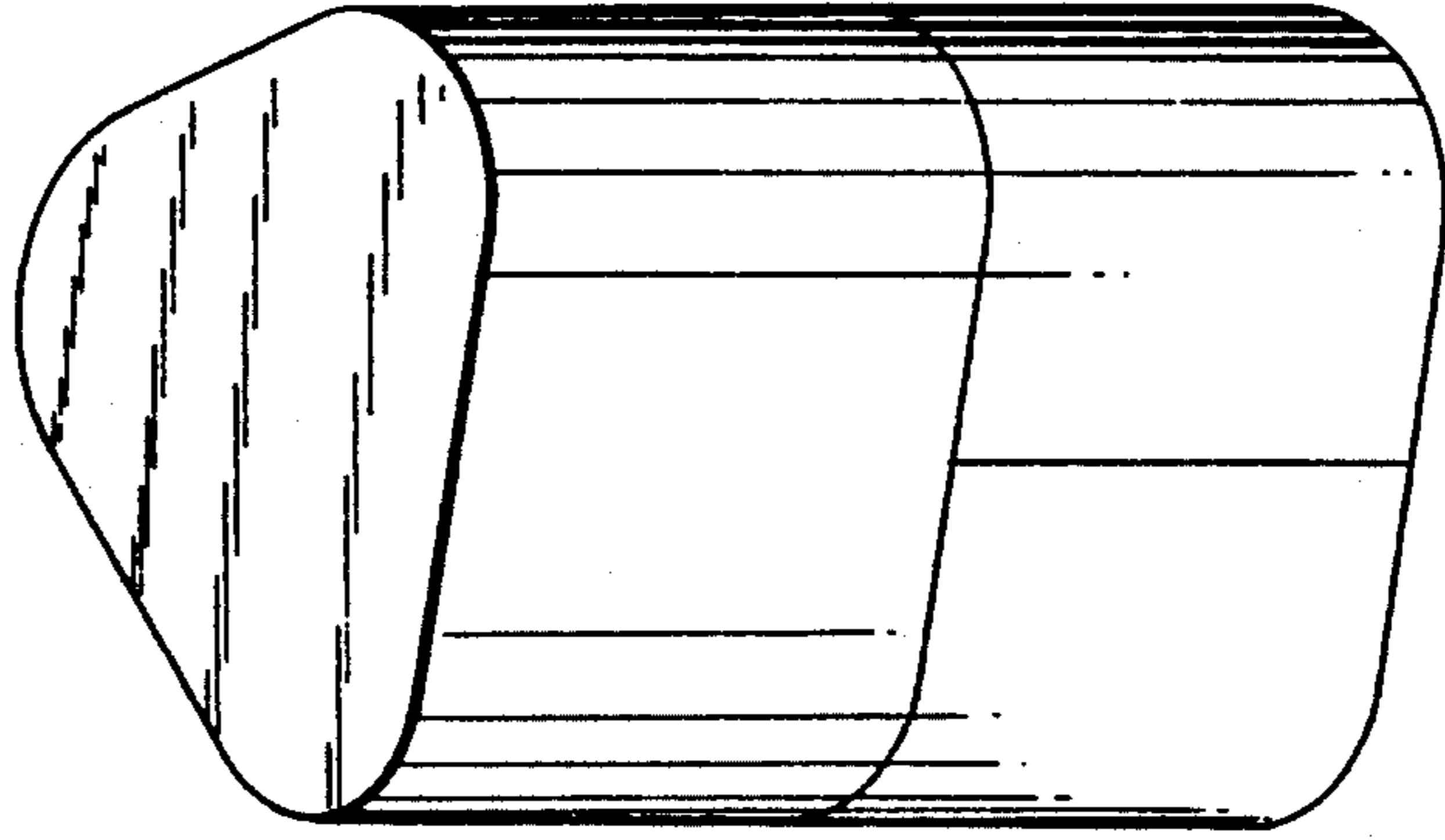


FIG. 8

FIG. 9

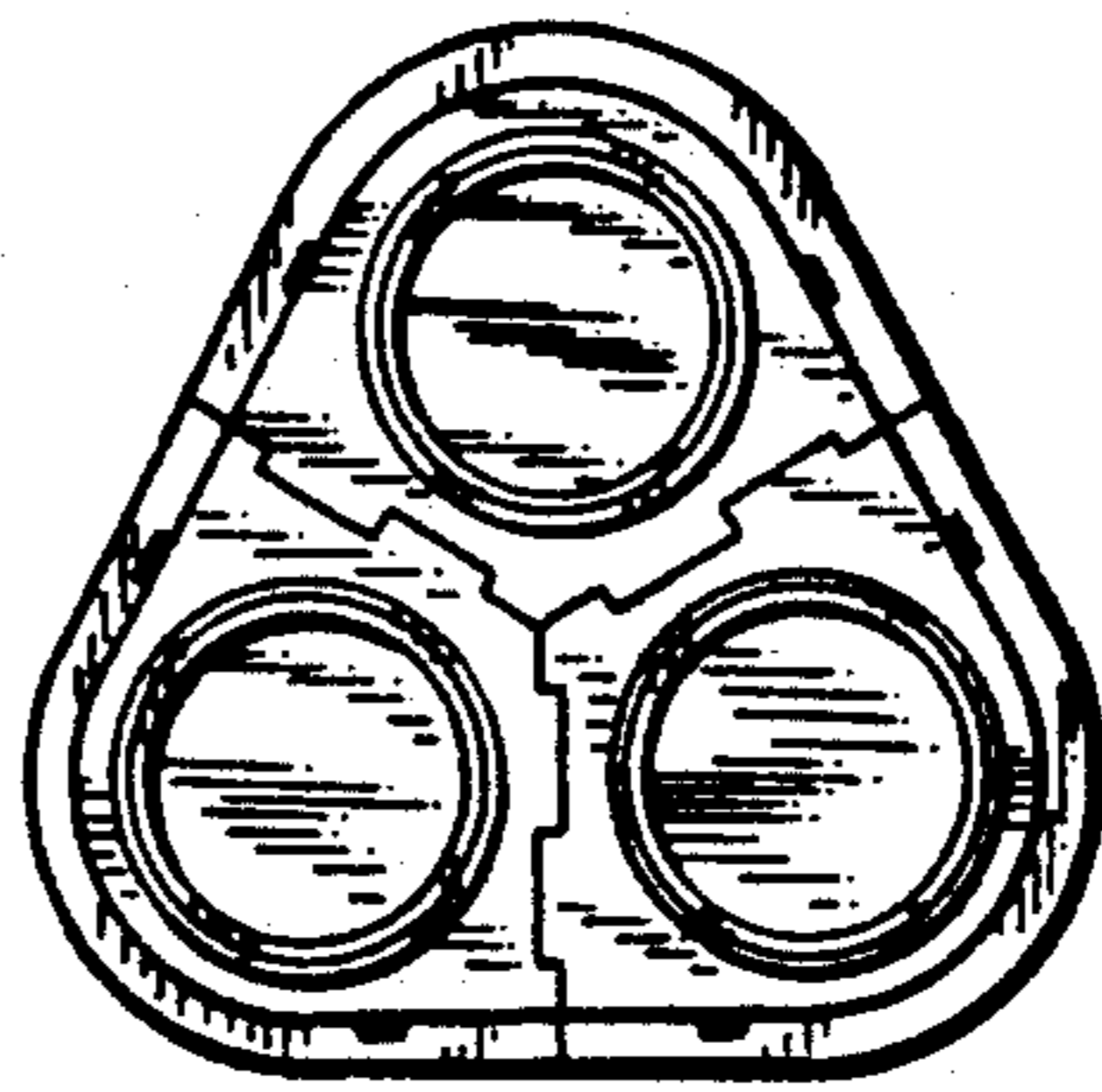


FIG. 10

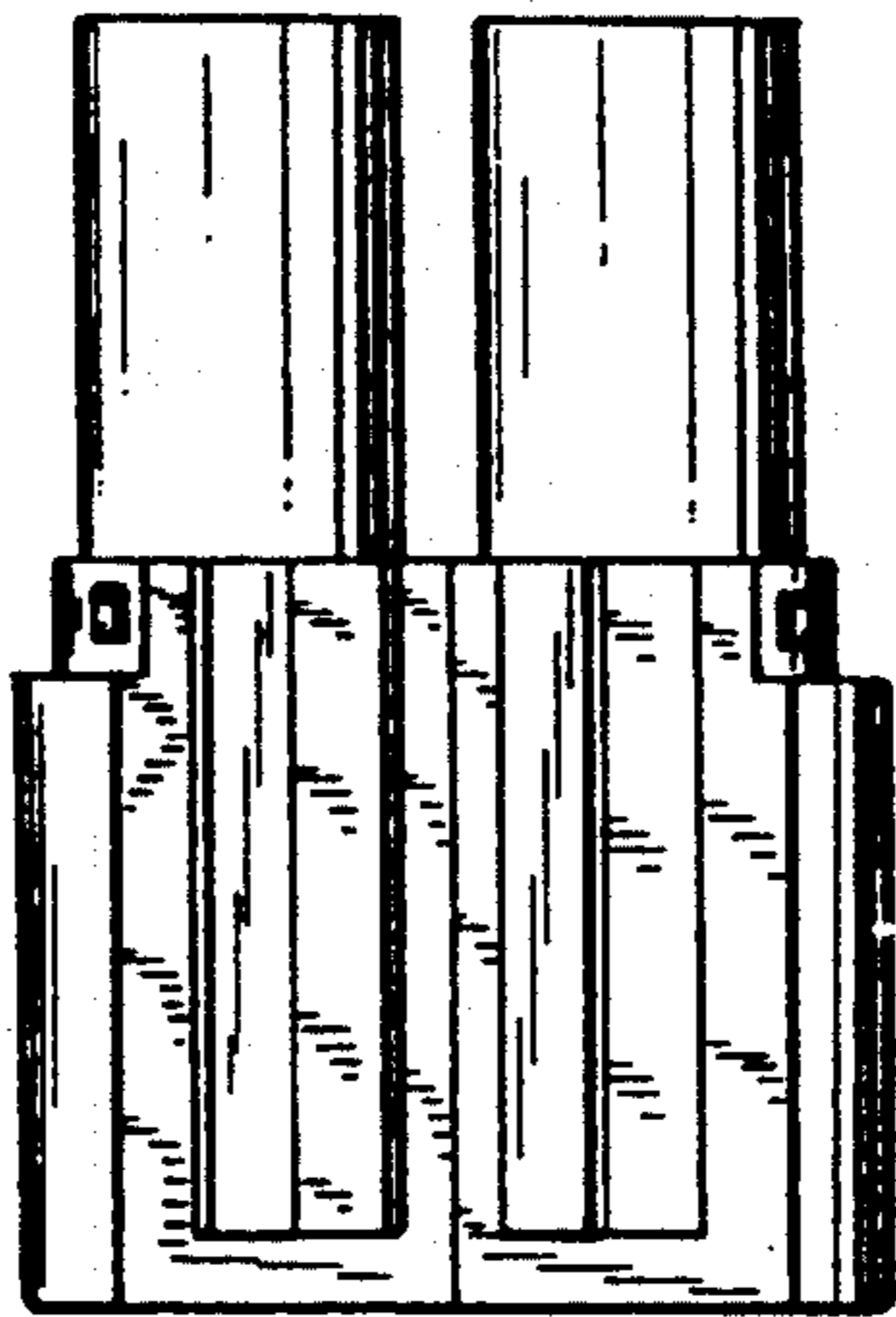


FIG. 11

