



US00D335926S

United States Patent [19]

[11] Patent Number: **Des. 335,926**

Rozier et al.

[45] Date of Patent: **** May 25, 1993**

[54] **SHIELD FOR I.V. SITES**

[76] Inventors: **Betty M. Rozier**, 7400 Foxmont, Hazelwood, Mo. 63042; **Lisa M. Vallino**, 6550 Dale, St. Louis, Mo. 63139

[**] Term: **14 Years**

[21] Appl. No.: **648,617**

[22] Filed: **Jan. 28, 1991**

[52] U.S. Cl. **D24/130**

[58] Field of Search **D24/127, 130; 128/846, 128/877, 878, 879, DIG. 6, DIG. 26; 604/174, 180, 192, 197, 198**

4,679,553 7/1987 Proulx et al. 604/174 X
4,898,587 2/1990 Mera 604/174
5,074,847 12/1991 Greenwell et al. 604/174

Primary Examiner—Stella Reid
Assistant Examiner—Ian Simmons
Attorney, Agent, or Firm—Grace J. Fishel

[57] **CLAIM**

The ornamental design for a shield for I.V. sites, as shown.

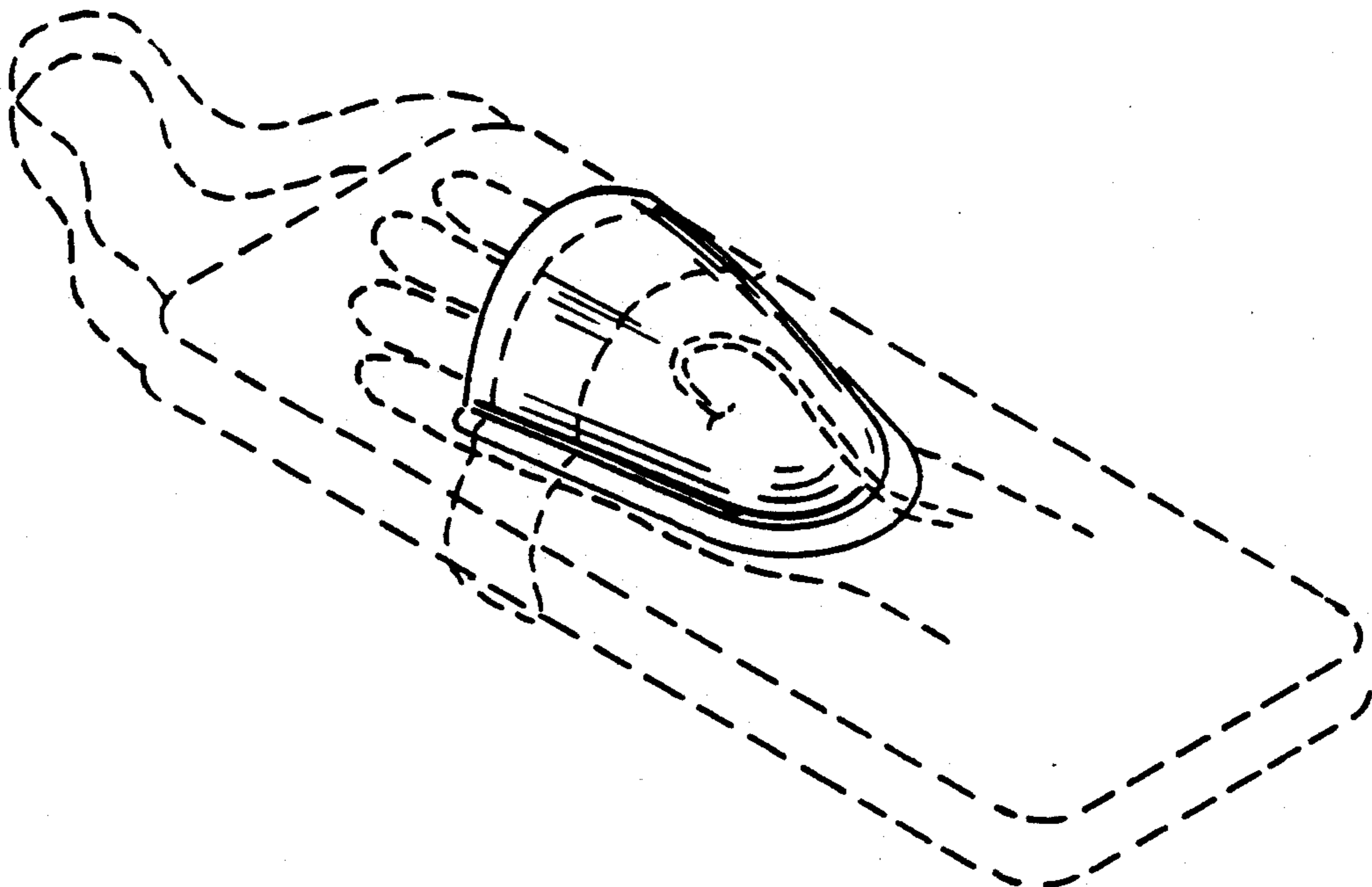
DESCRIPTION

FIG. 1 is a perspective view of a shield for I.V. site showing my new design, the broken line showing of the hand, arm board and I.V. tubing is for illustrative purposes only and forms no part of the claimed design; FIG. 2 is a top plan view thereof; FIG. 3 is a bottom plan view thereof; FIG. 4 is a side elevational view thereof, the opposite side elevational being identical thereto; FIG. 5 is a front elevational view thereof; and, FIG. 6 is a rear elevational view thereof.

[56] **References Cited**

U.S. PATENT DOCUMENTS

D. 327,321 6/1992 Russell et al. D24/130
3,194,235 7/1965 Cooke 604/180 X
3,900,026 8/1975 Wagner 128/DIG. 26 X
4,517,971 5/1985 Sorbonne 604/174 X
4,633,863 1/1987 Filips et al. 604/180 X



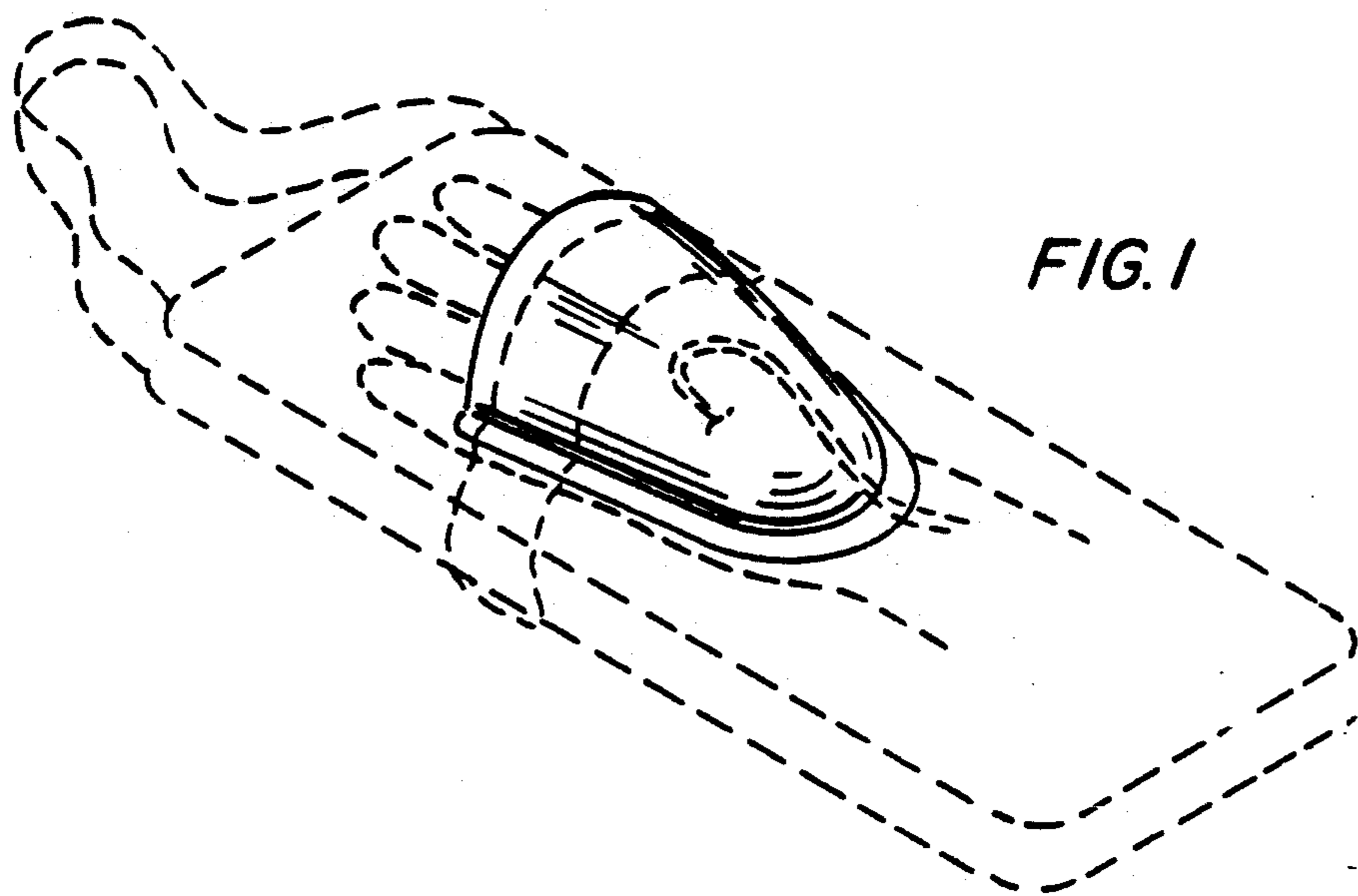


FIG. 1

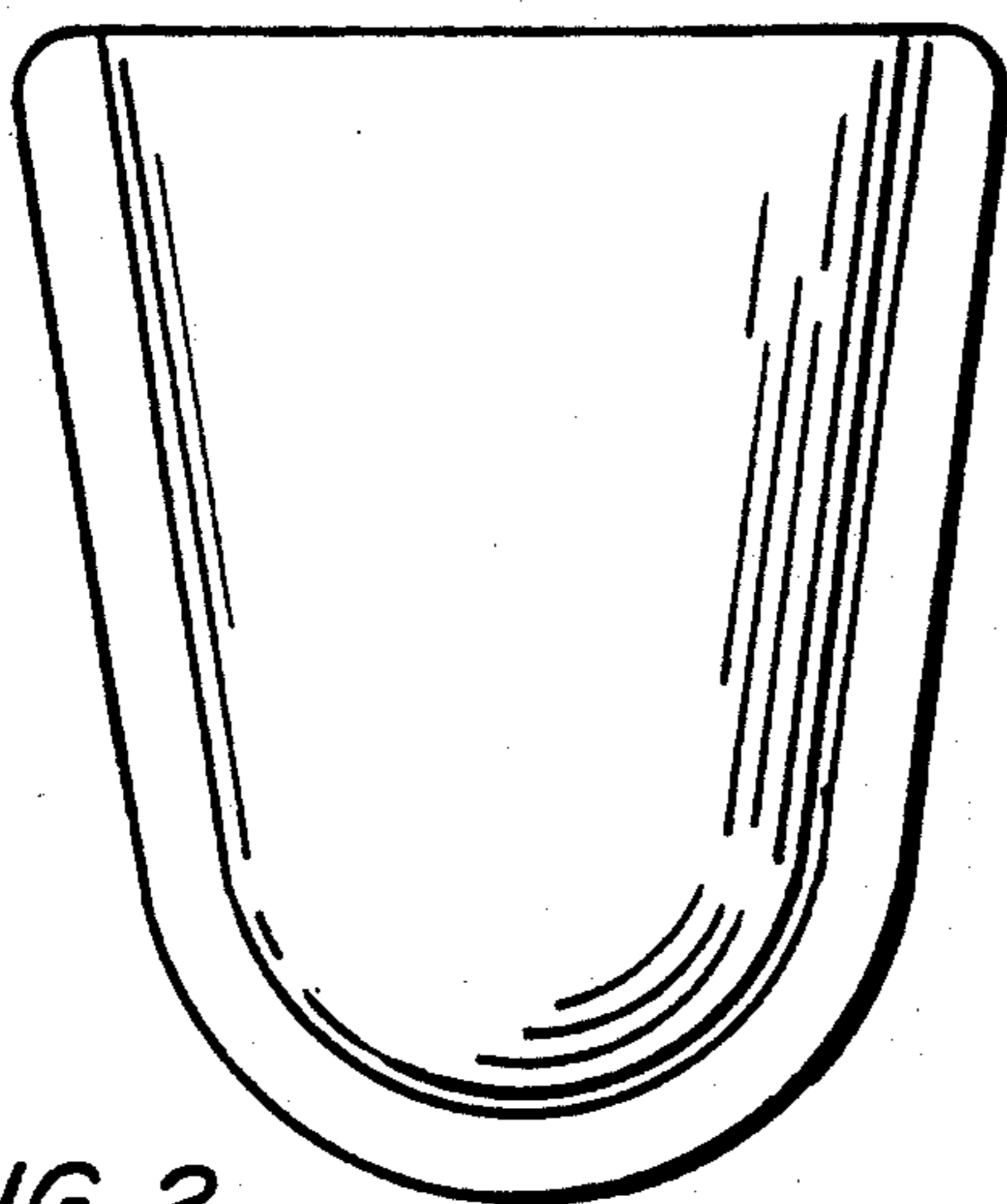


FIG. 2

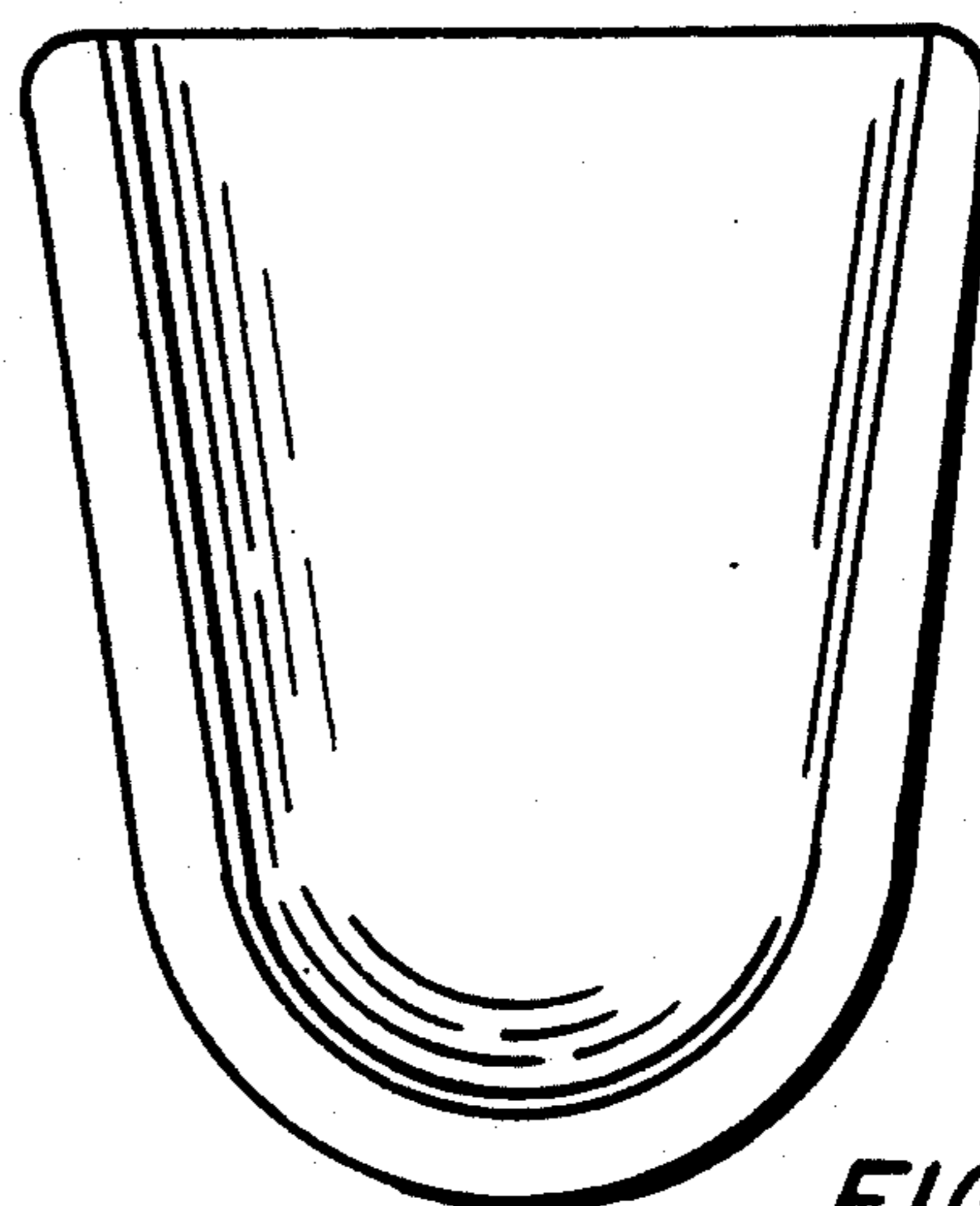


FIG. 3

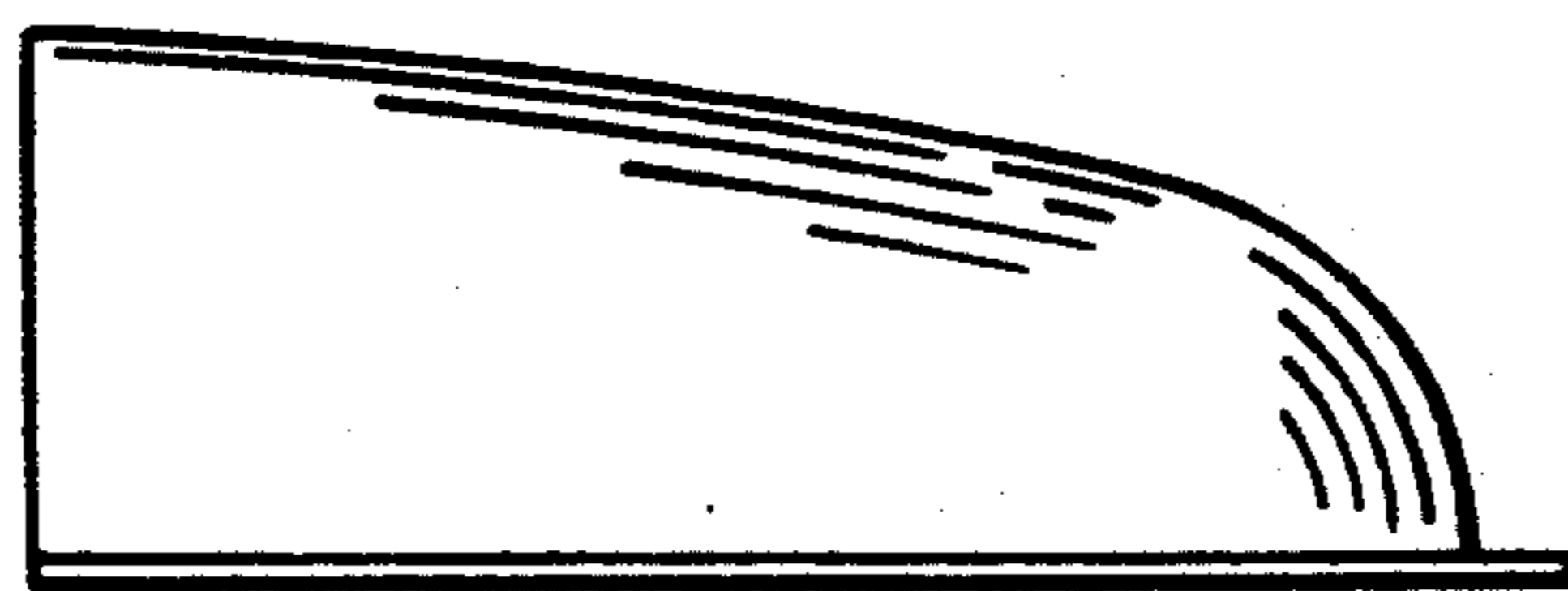


FIG. 4

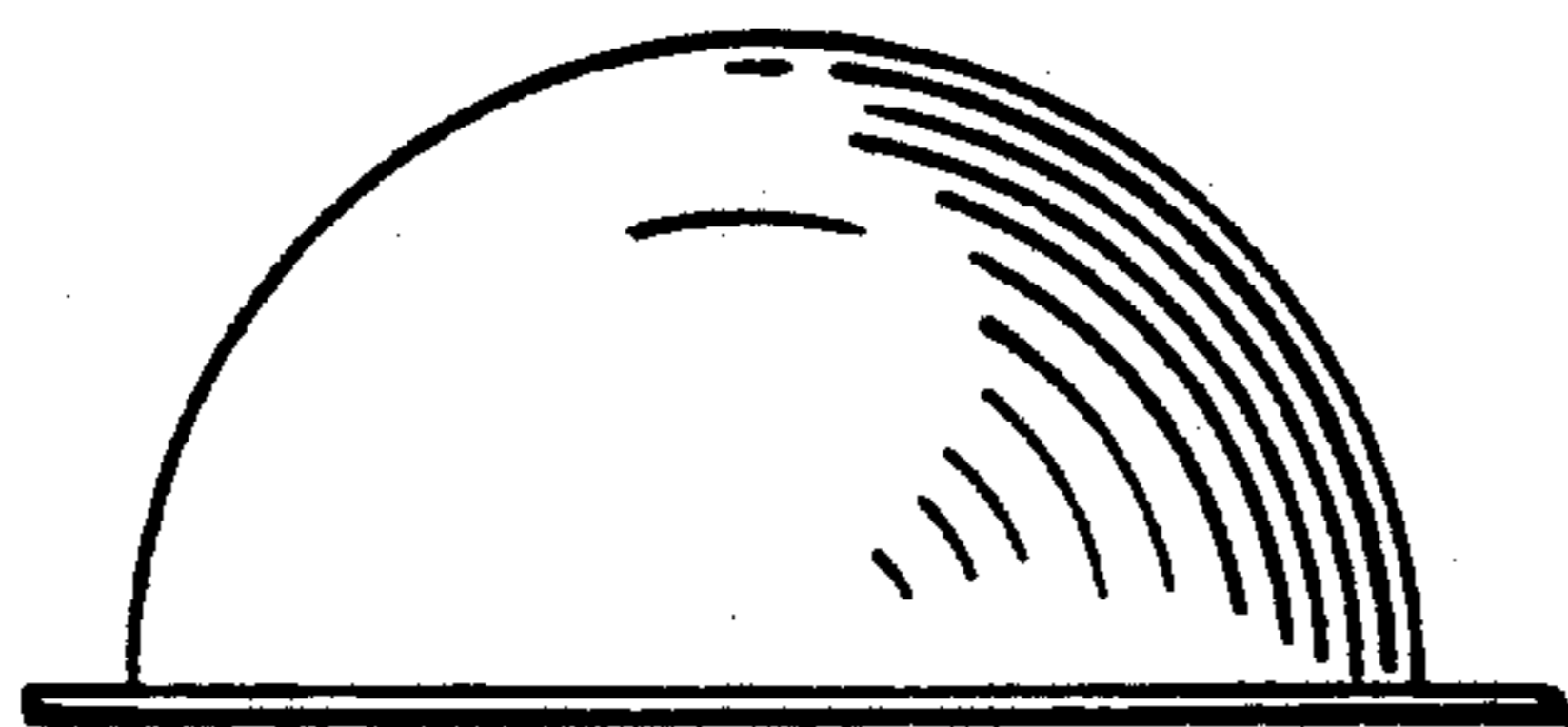


FIG. 5

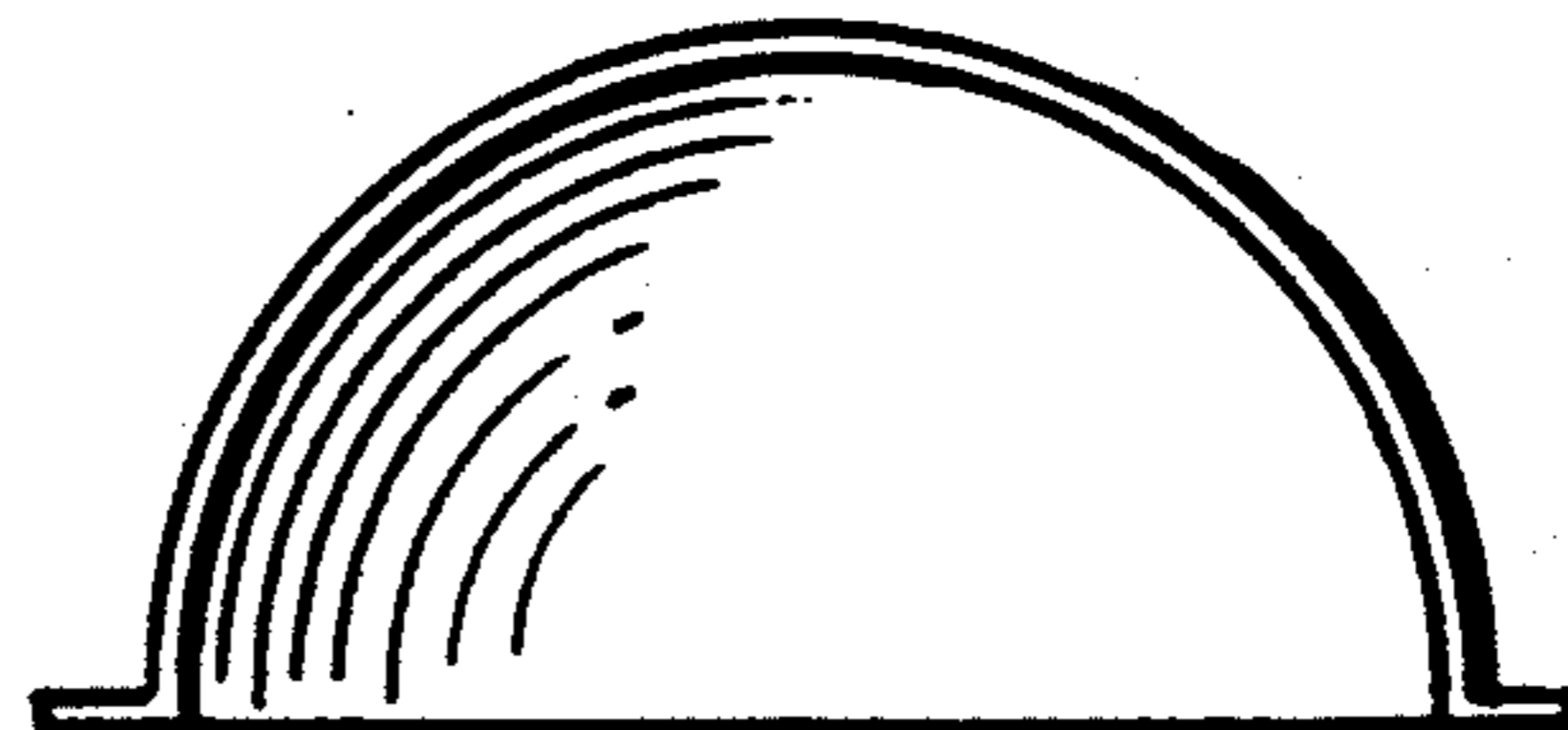


FIG. 6