



US00D335917S

United States Patent [19]
Chretien

[11] **Patent Number: Des. 335,917**
[45] **Date of Patent: ** May 25, 1993**

[54] **COMBINED FAUCET AND DIVERTER VALVE**

[75] **Inventor: Philippe Chretien, Dietlikon, Switzerland**

[73] **Assignee: KWC AG, Unterkulm, Switzerland**

[**] **Term: 14 Years**

[21] **Appl. No.: 594,209**

[22] **Filed: Oct. 9, 1990**

[30] **Foreign Application Priority Data**

Apr. 9, 1990 [WO] World Int. Prop. O. DM/016382

[52] **U.S. Cl. D23/238**

[58] **Field of Search D23/238-243, D23/255-257; 4/191, 192; 137/801**

[56] **References Cited**

U.S. PATENT DOCUMENTS

- D. 114,200 4/1939 Sedlon et al. D23/238
- D. 149,344 4/1948 Fitter D23/240

- D. 220,624 5/1971 Urban D23/241
- D. 293,599 1/1988 Bergmann et al. D23/238 X
- D. 293,816 1/1988 Bergmann et al. D23/238
- D. 312,118 11/1990 Son D23/238
- D. 315,194 3/1991 Haug et al. D23/238
- D. 318,320 7/1991 Zerlia D23/241

Primary Examiner—James R. Largen
Attorney, Agent, or Firm—Oblon, Spivak, McClelland, Maier & Neustadt

[57] **CLAIM**

The ornamental design for a combined faucet and diverter valve, as shown.

DESCRIPTION

FIG. 1 is a front and right side perspective view of a combined faucet and diverter valve showing my new design;

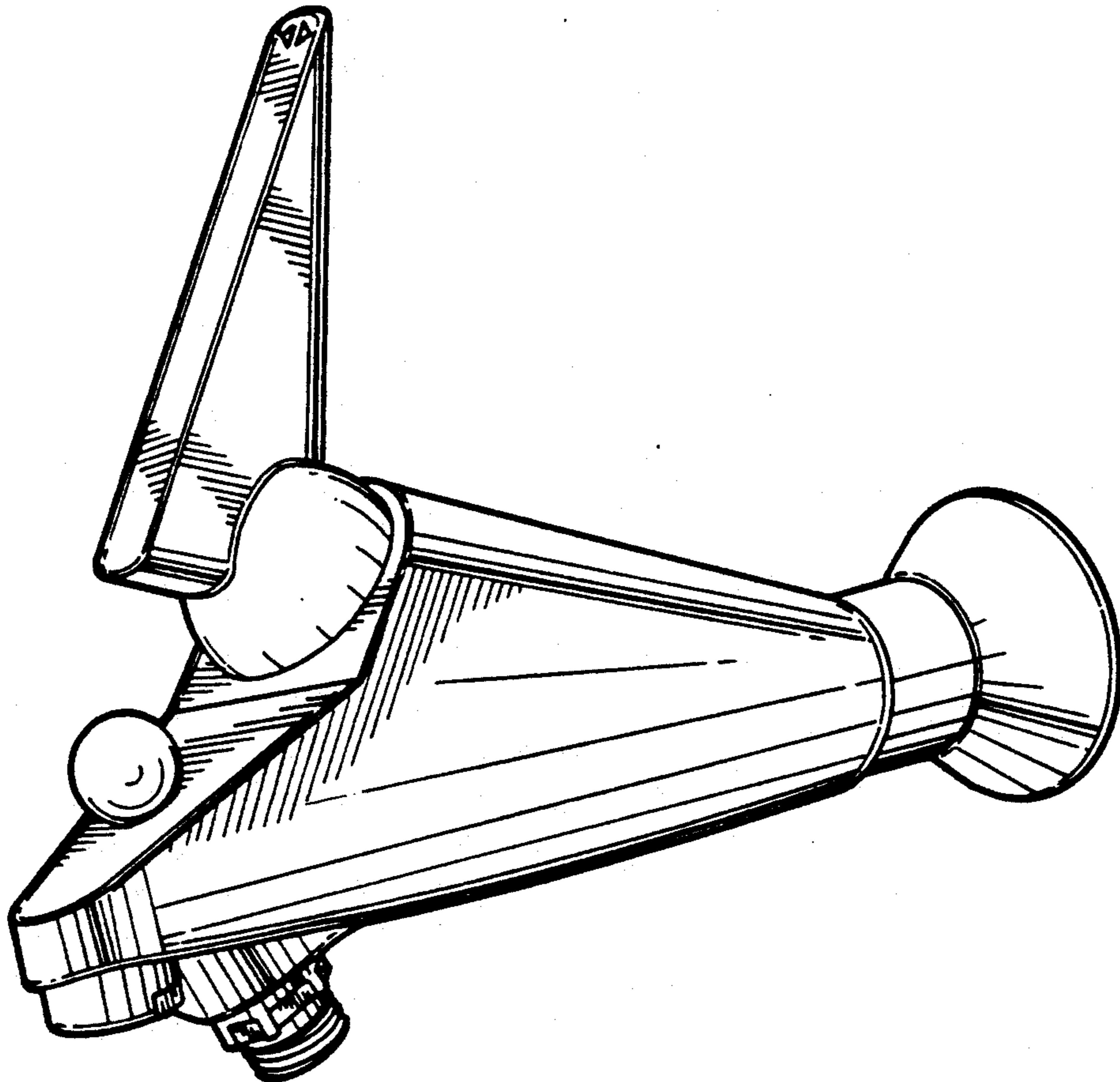
FIG. 2 is a front elevational view thereof;

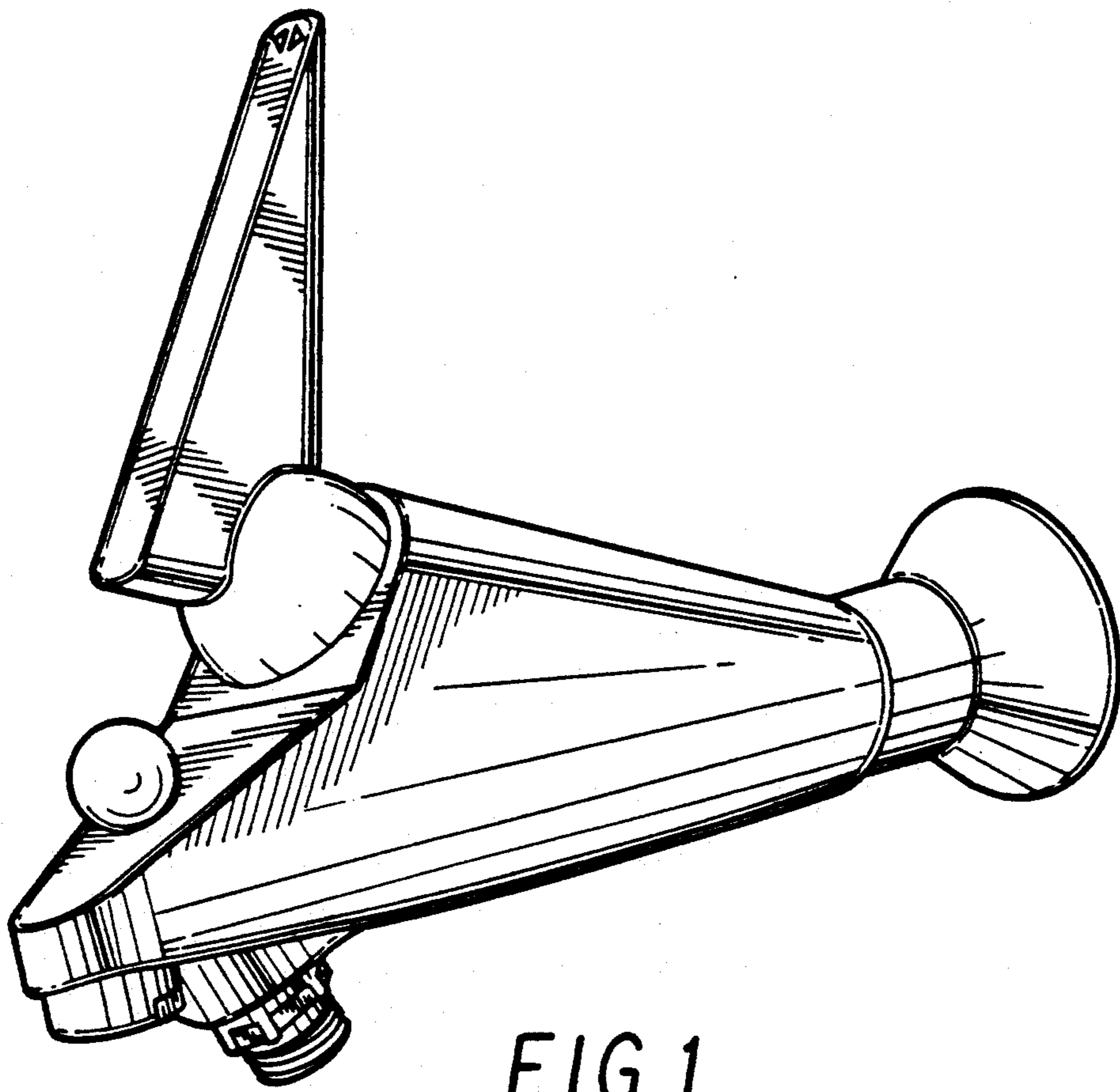
FIG. 3 is a top plan view thereof;

FIG. 4 is a right side elevational view thereof;

FIG. 5 is a left side elevational view thereof; and,

FIG. 6 is a bottom plan view thereof.





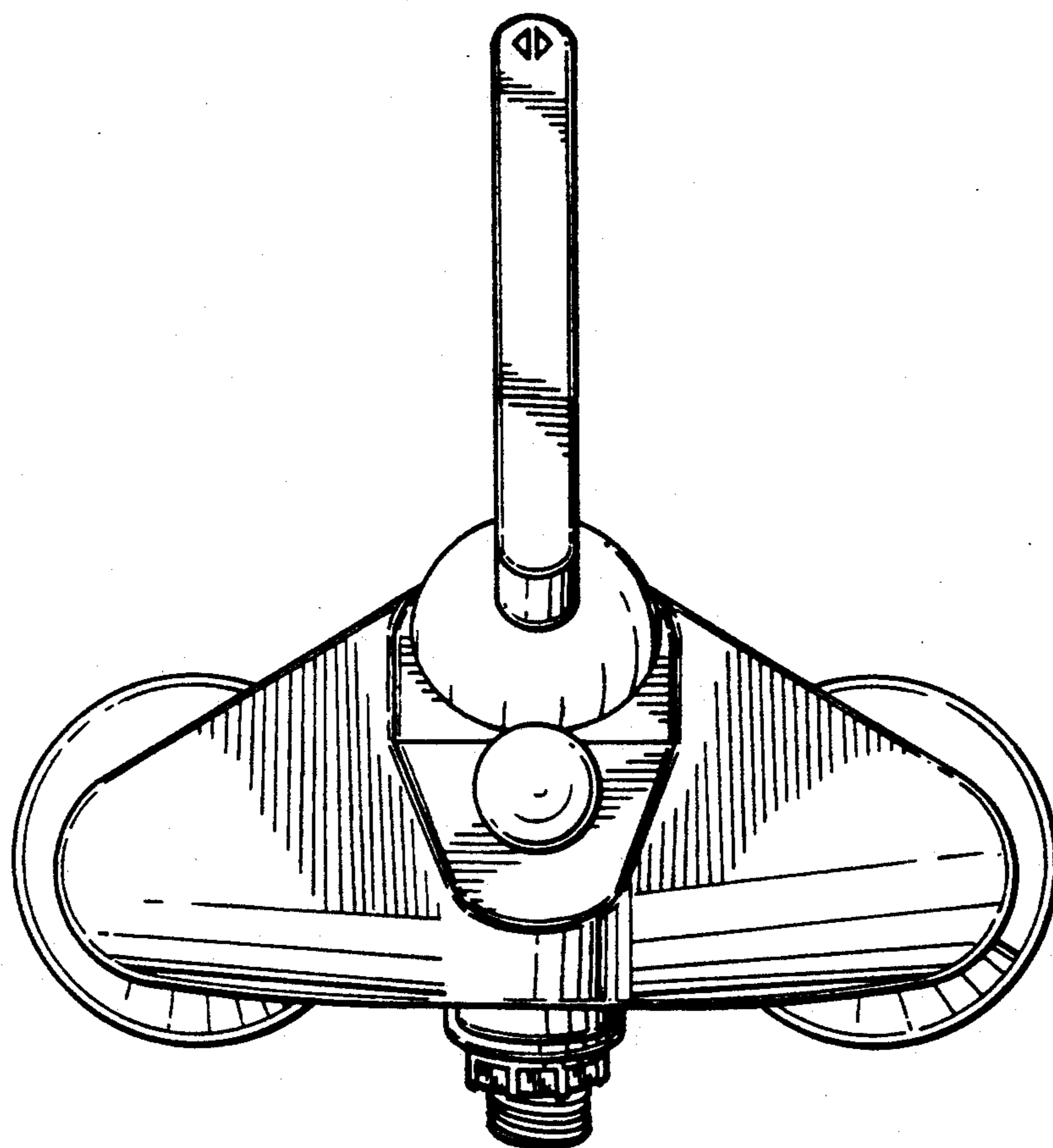


FIG. 2

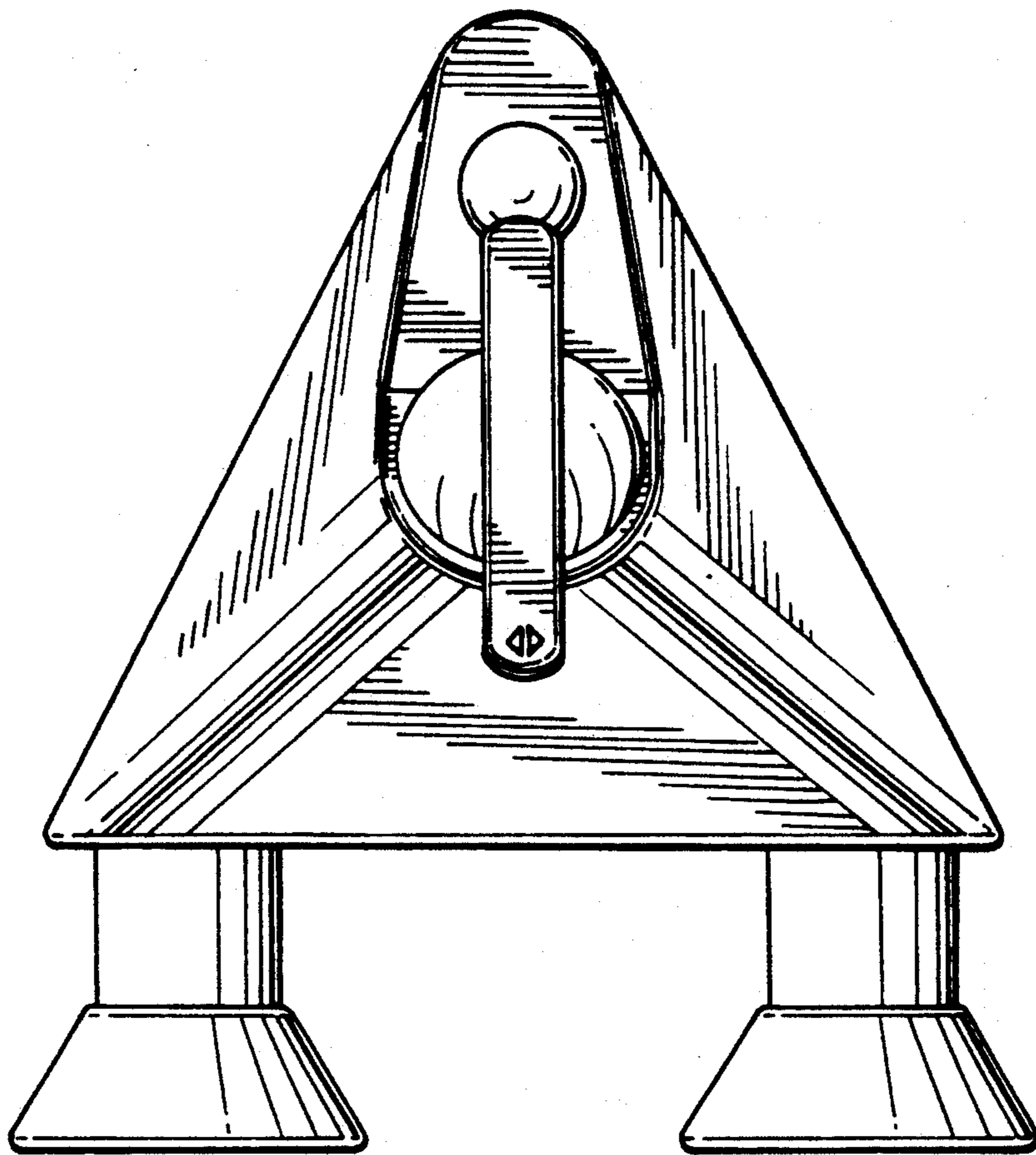


FIG. 3

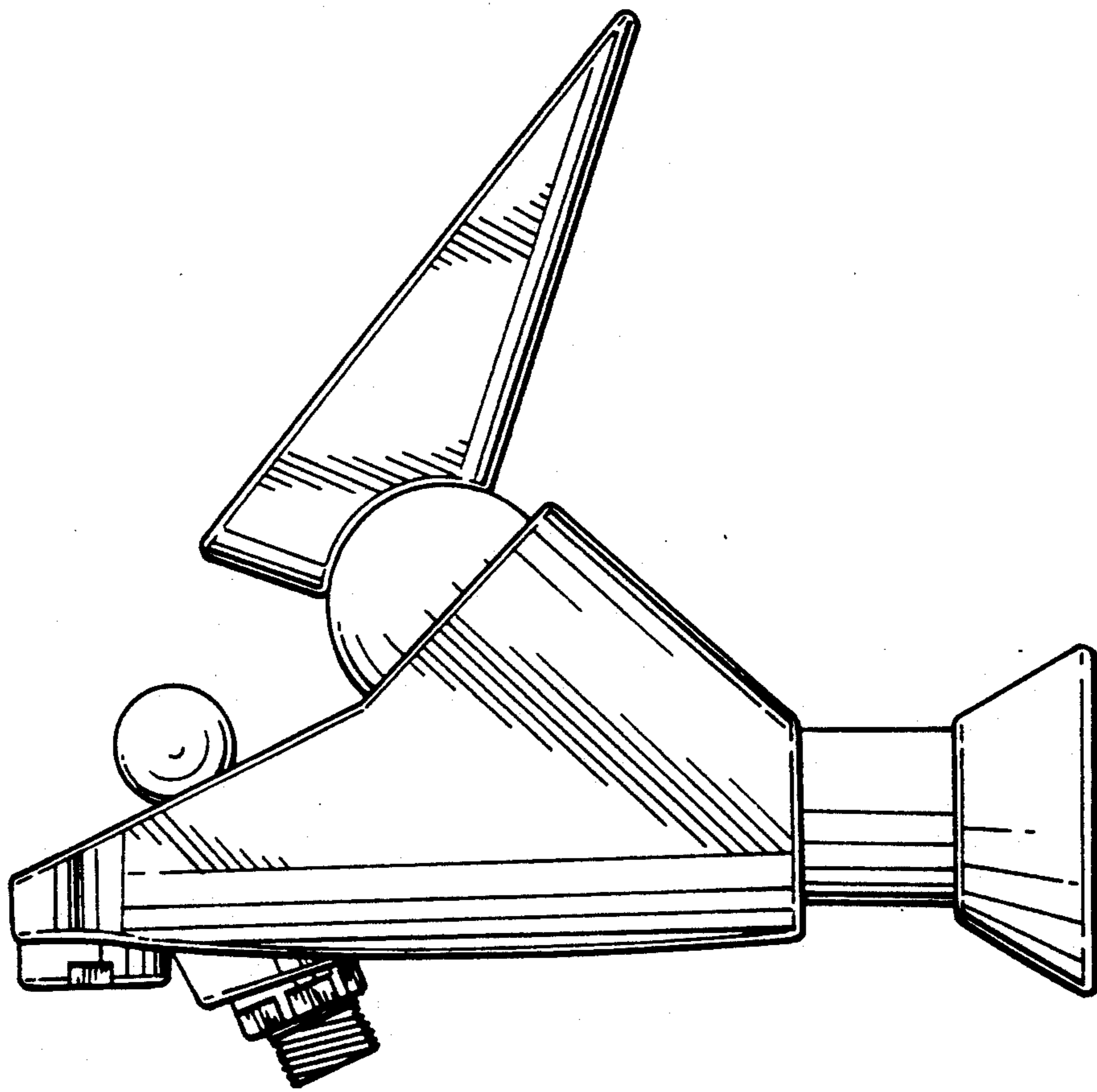


FIG. 4

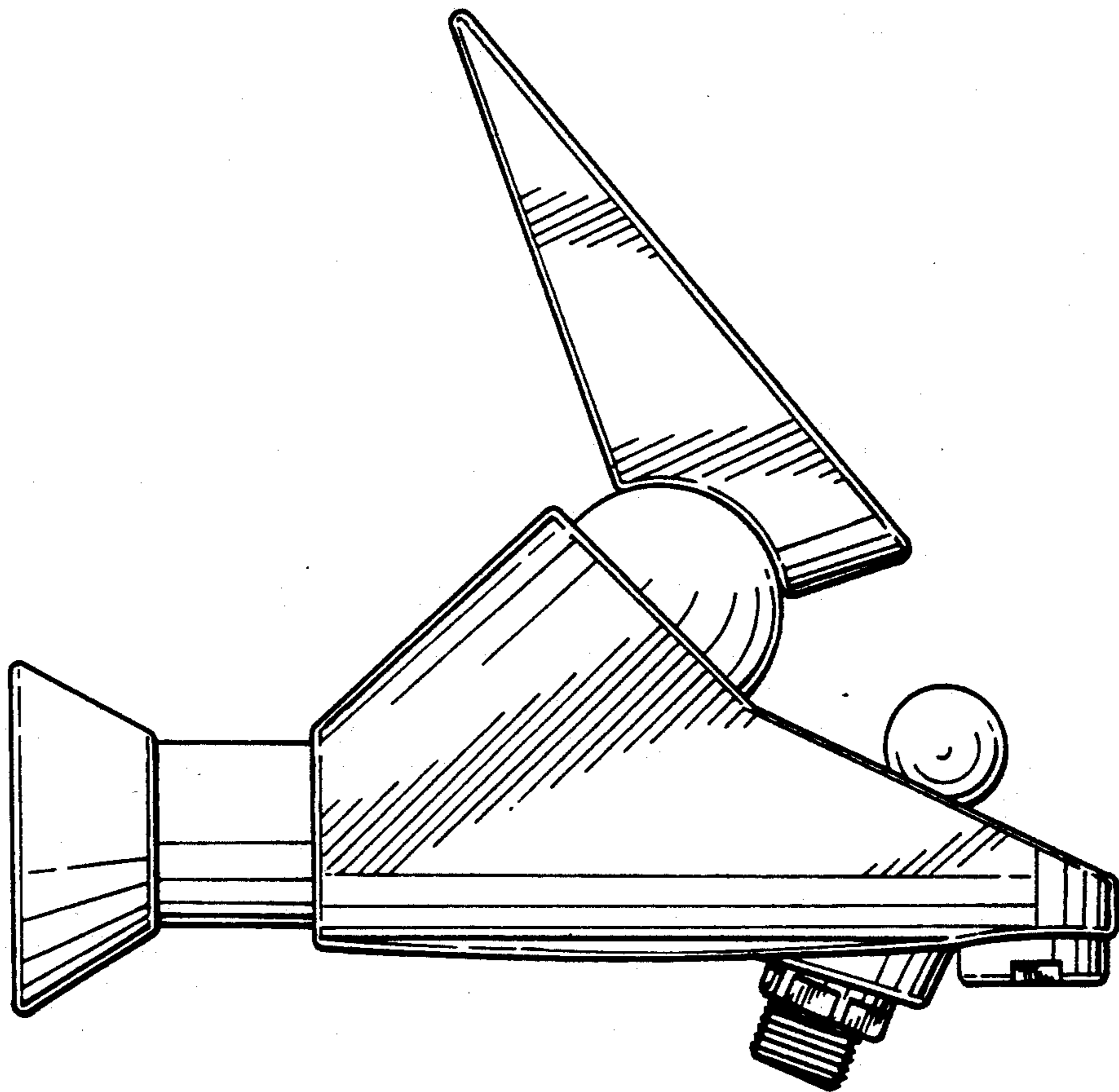


FIG. 5

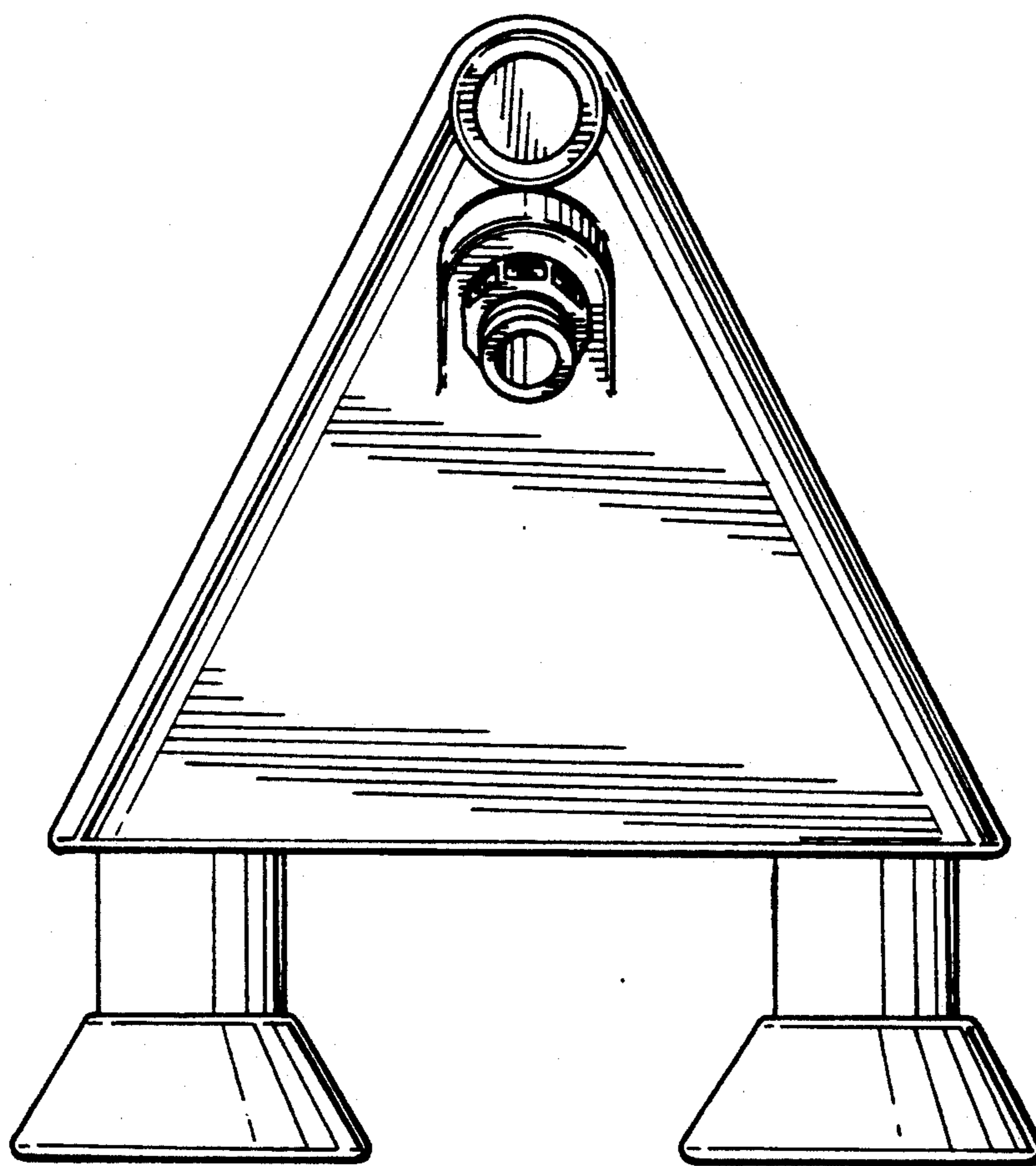


FIG. 6