



US00D335912S

# United States Patent [19]

[11] Patent Number: **Des. 335,912**

Brown et al.

[45] Date of Patent: **\*\* May 25, 1993**

[54] INSECT TRAP

[56] References Cited

[75] Inventors: **Jeffrey K. Brown; William L. Crown; Ronald R. Dir; Edward J. Lazzeroni, Sr.; John F. Quella**, all of Racine, Wis.

### U.S. PATENT DOCUMENTS

D. 269,632 7/1983 Roberston et al. .... D22/123  
2,835,071 5/1958 Partridge ..... 43/112  
4,959,923 10/1990 Aiello et al. .... 43/112

[73] Assignee: **S. C. Johnson & Son, Inc.**, Racine, Wis.

*Primary Examiner*—A. Hugo Word  
*Assistant Examiner*—Doris V. Coles

[\*\*] Term: **14 Years**

[57] CLAIM

The ornamental design for an insect trap, as shown and described.

[21] Appl. No.: **660,117**

### DESCRIPTION

[22] Filed: **Feb. 21, 1991**

FIG. 1 is a front perspective view of an insect trap showing my new design;

[52] U.S. Cl. .... **D22/122; D22/119; D22/123**

FIG. 2 is a right side elevational view thereof;

FIG. 3 is a left side elevational view thereof;

[58] Field of Search ..... **D22/119, 122, 123; 43/121, 107, 112, 131, 132.1**

FIG. 4 is a front elevational view thereof;

FIG. 5 is a rear elevational view thereof;

FIG. 6 is a top plan view thereof; and,

FIG. 7 is a bottom plan view thereof.

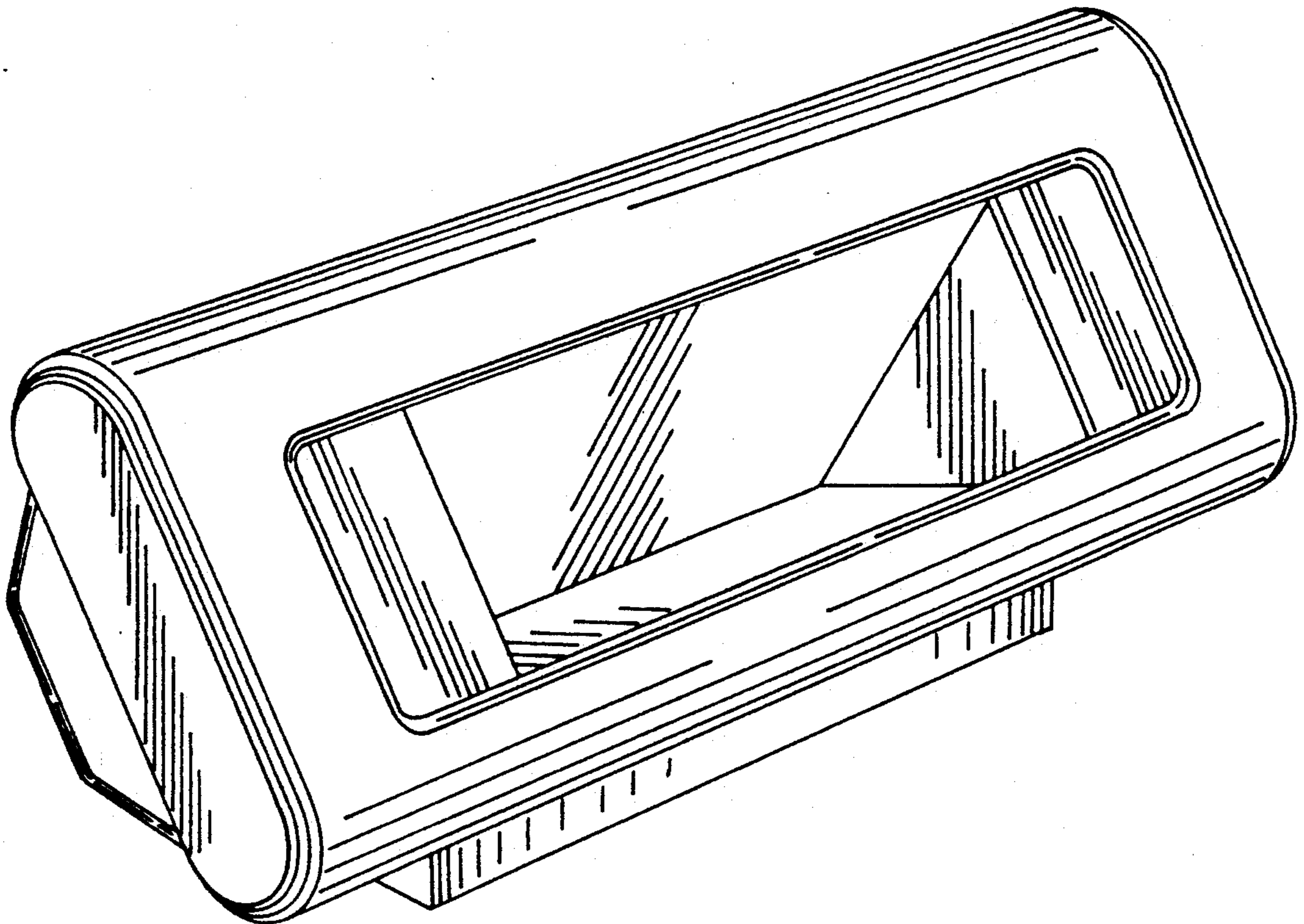


FIG. 1

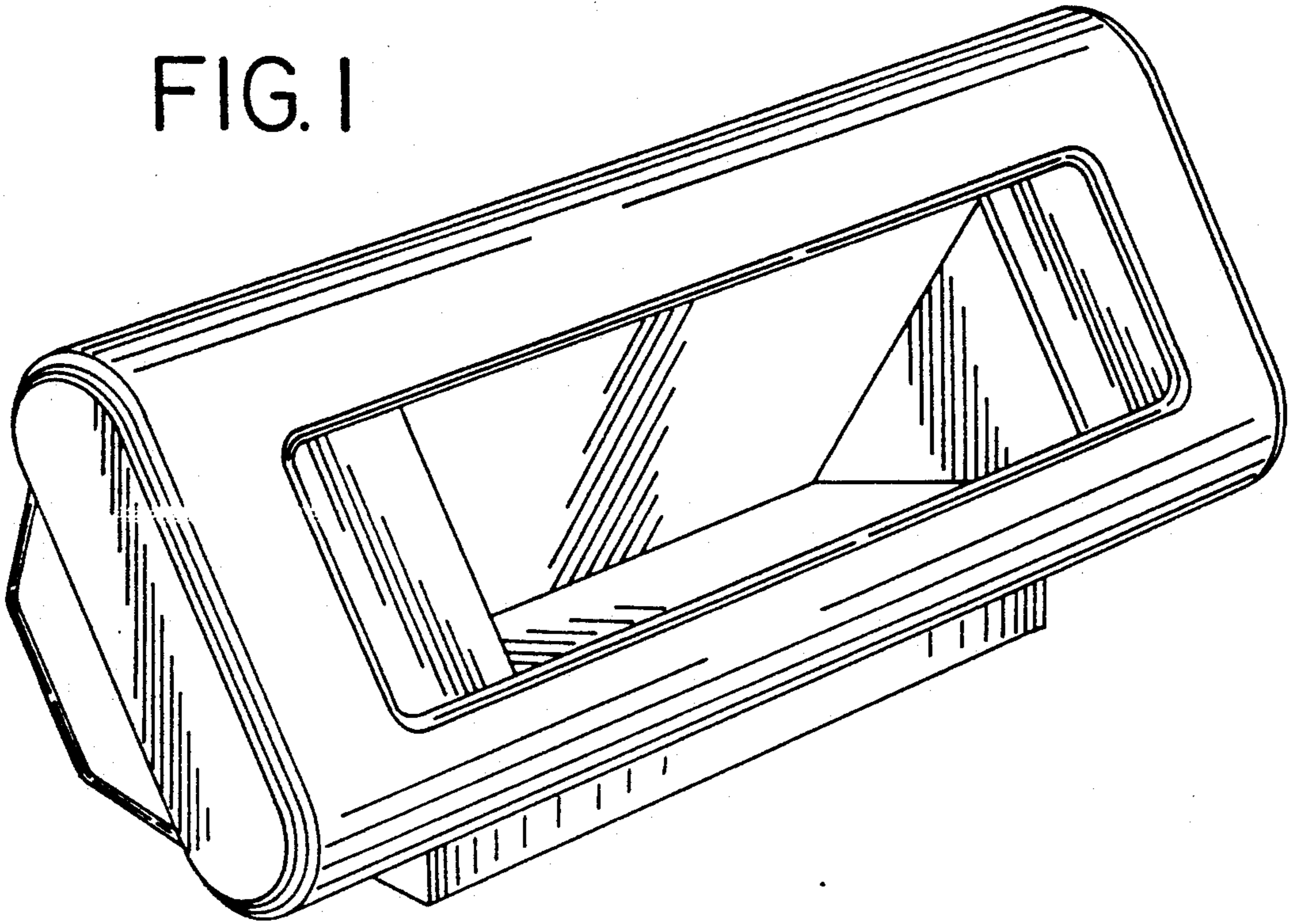


FIG. 2

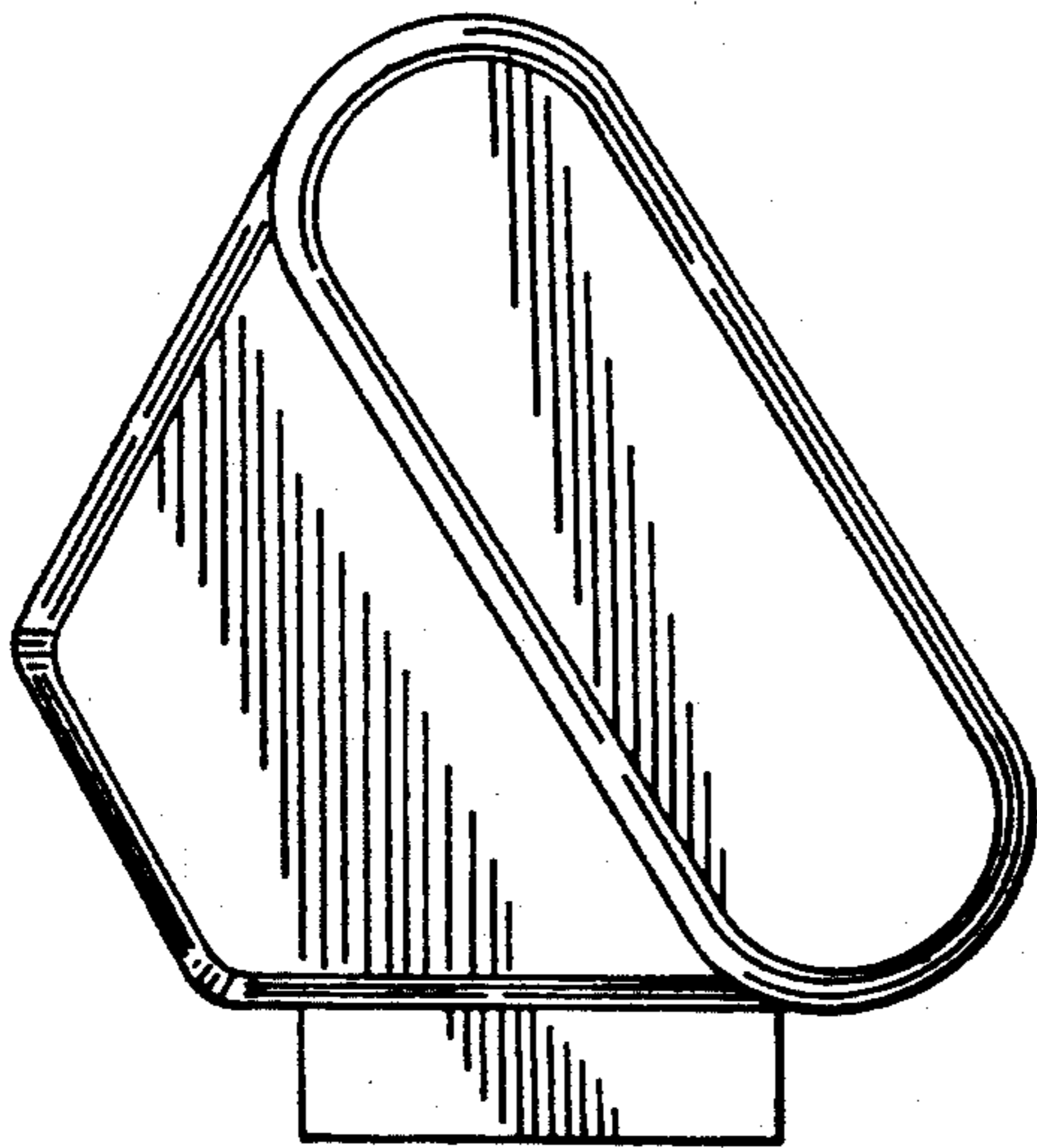
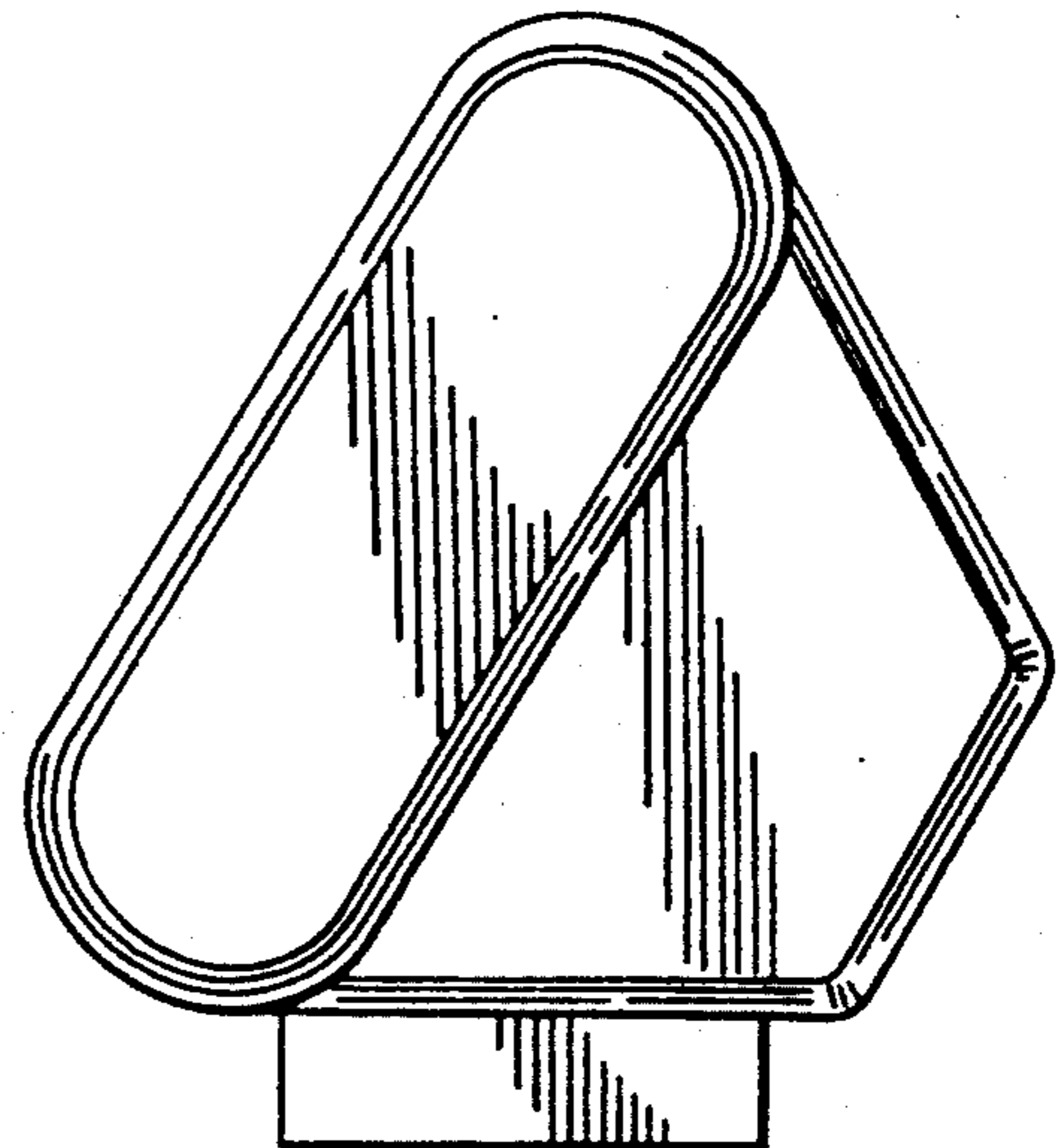


FIG. 3



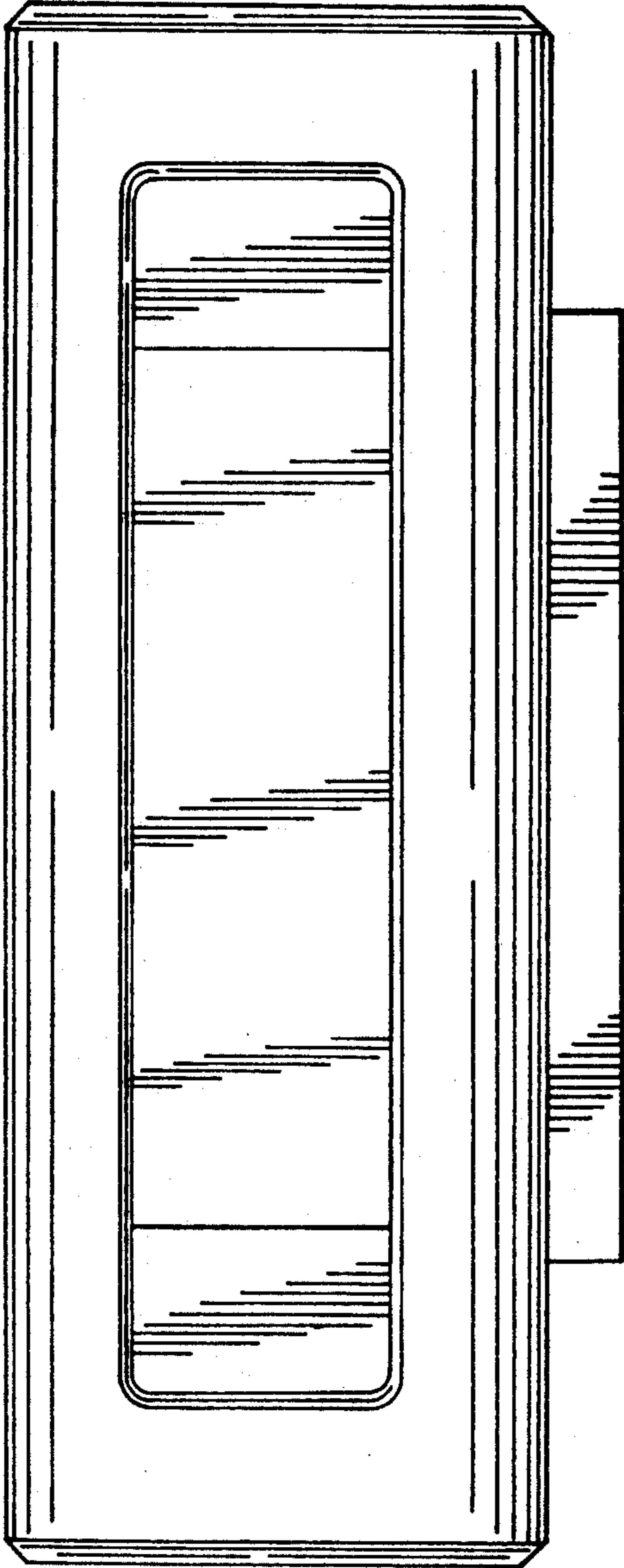


FIG. 4

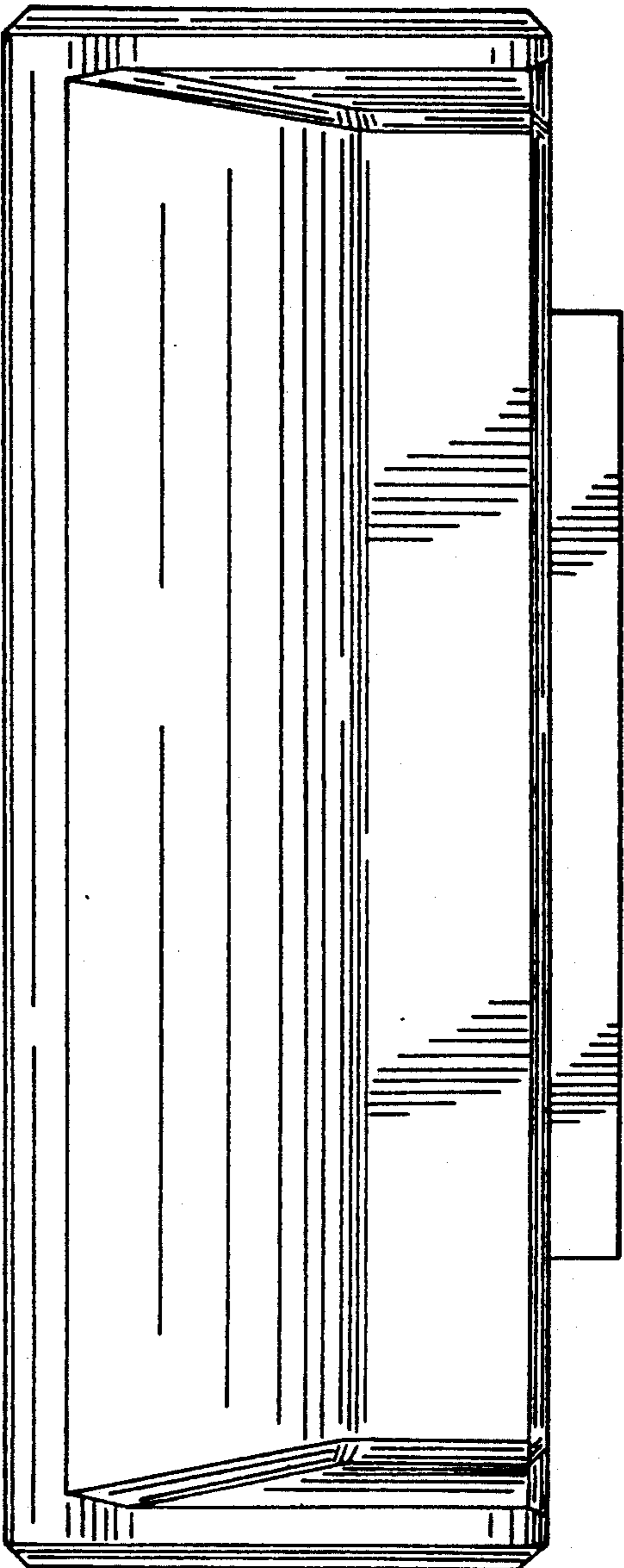


FIG. 5



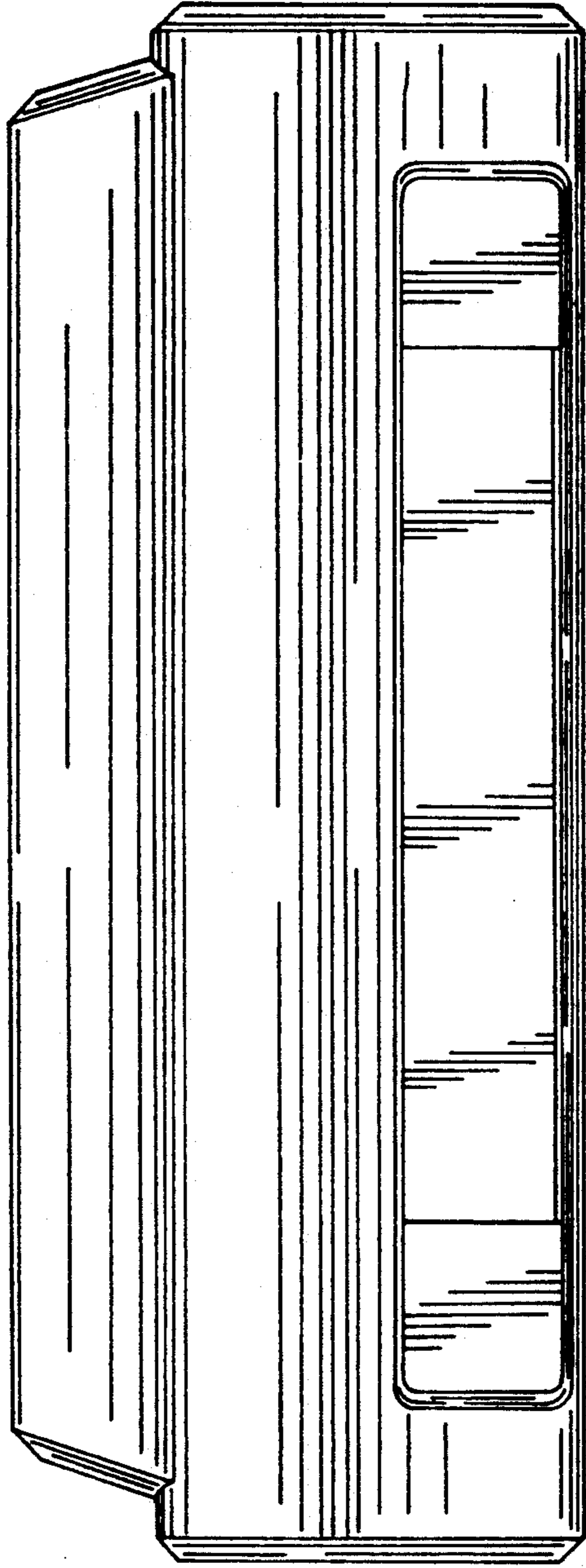


FIG. 6

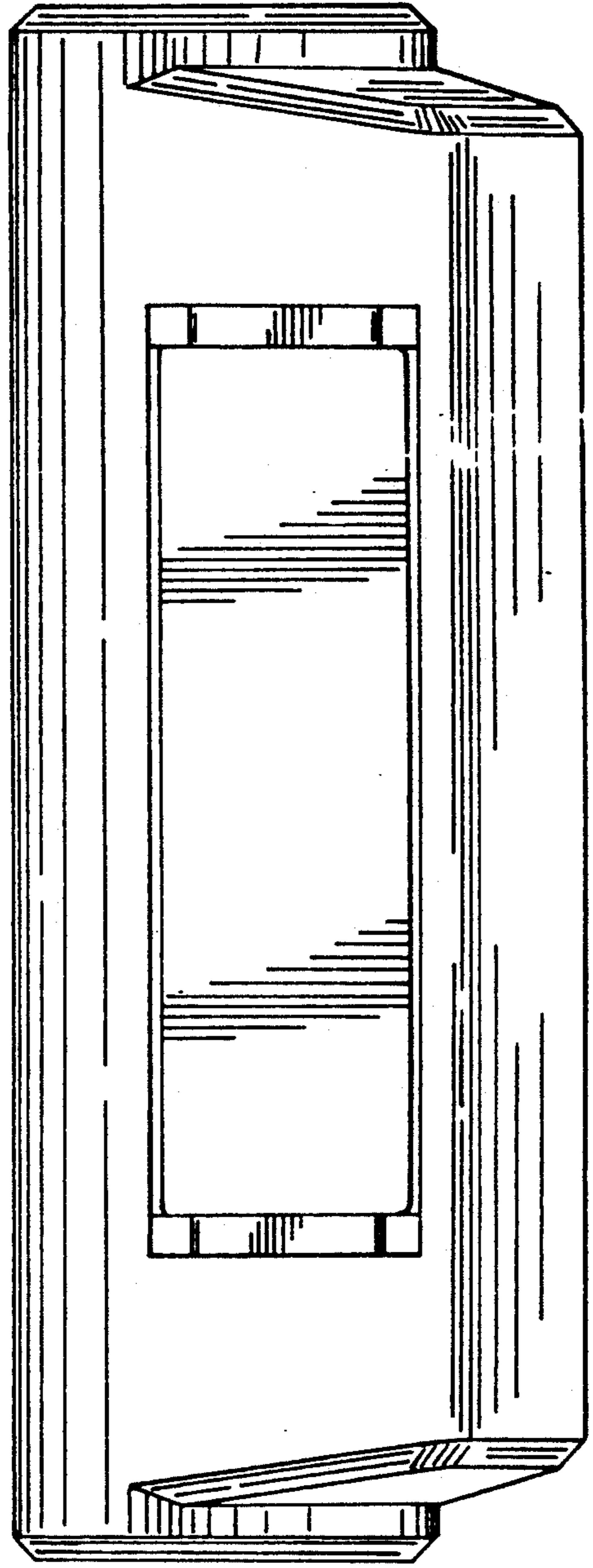


FIG. 7