



US00D335910S

United States Patent [19]

[11] Patent Number: **Des. 335,910**

Cheshire, Jr.

[45] Date of Patent: **** May 25, 1993**

[54] **COMBINED INSECT ATTRACTING AND CAPTURING LANTERN**

D. 290,284 6/1987 Chen D22/123
4,248,005 2/1981 Hedstrom 43/112
4,603,505 8/1986 Millard 43/112

[75] Inventor: **Joseph M. Cheshire, Jr., Riverdale, Ga.**

Primary Examiner—A. Hugo Word
Assistant Examiner—Doris V. Coles
Attorney, Agent, or Firm—Jones & Askew

[73] Assignee: **Bugvac U.S.A., Inc., Atlanta, Ga.**

[**] Term: **14 Years**

[57] **CLAIM**

[21] Appl. No.: **714,072**

The ornamental design for an combined insect attracting and capturing lantern, as shown and described.

[22] Filed: **Jun. 11, 1991**

[52] U.S. Cl. **D22/123**

[58] Field of Search **D22/119, 123; 43/112, 43/113, 111, 139; D26/37**

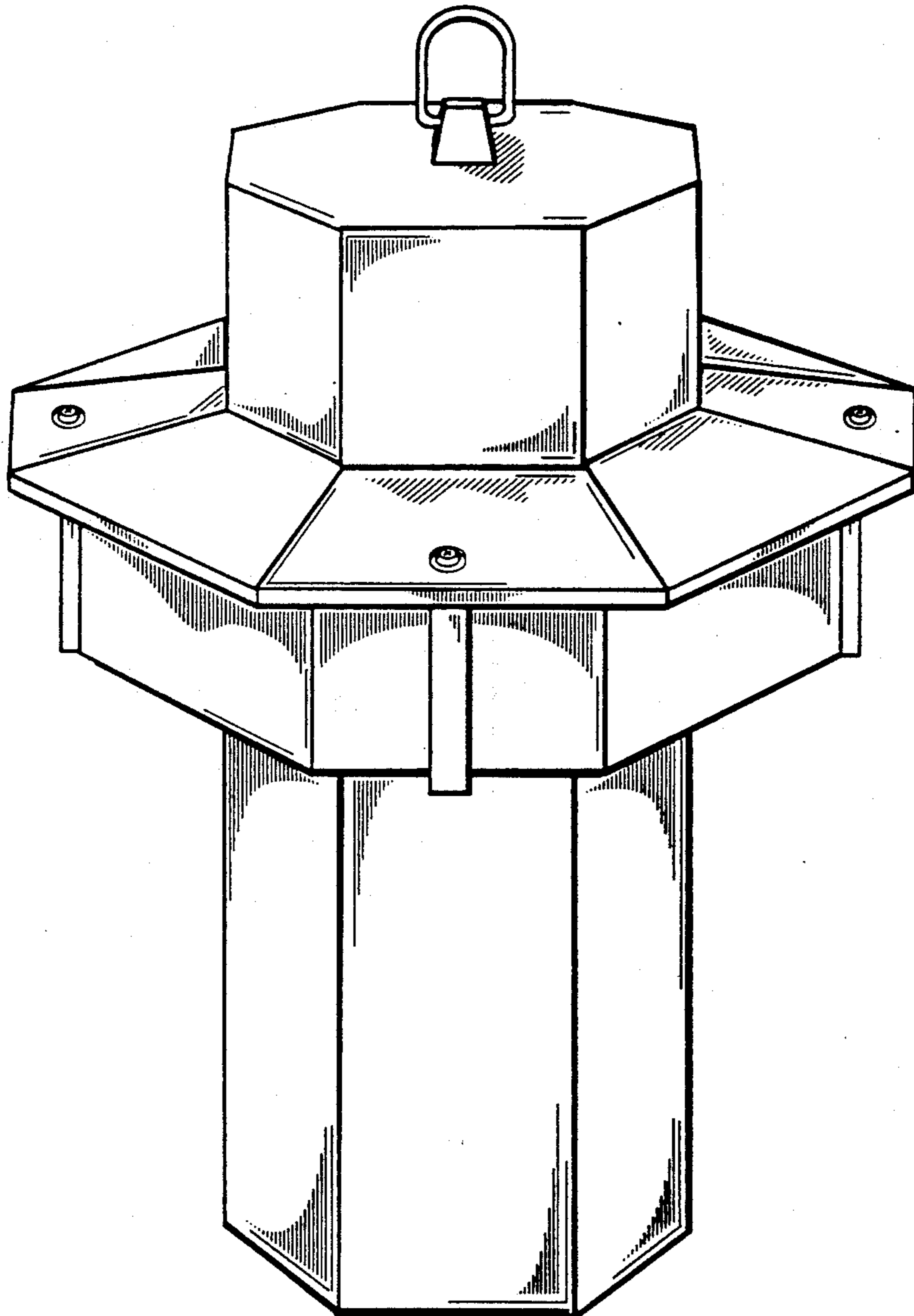
DESCRIPTION

FIG. 1 is a perspective view of a combined insect attracting and capturing lantern, showing my new design; FIG. 2 is a front elevational view, the rear, right and left sides being the same; FIG. 3 is a top plan view thereof; and, FIG. 4 is a bottom plan view thereof.

[56] **References Cited**

U.S. PATENT DOCUMENTS

D. 217,346 4/1970 Andre D22/123



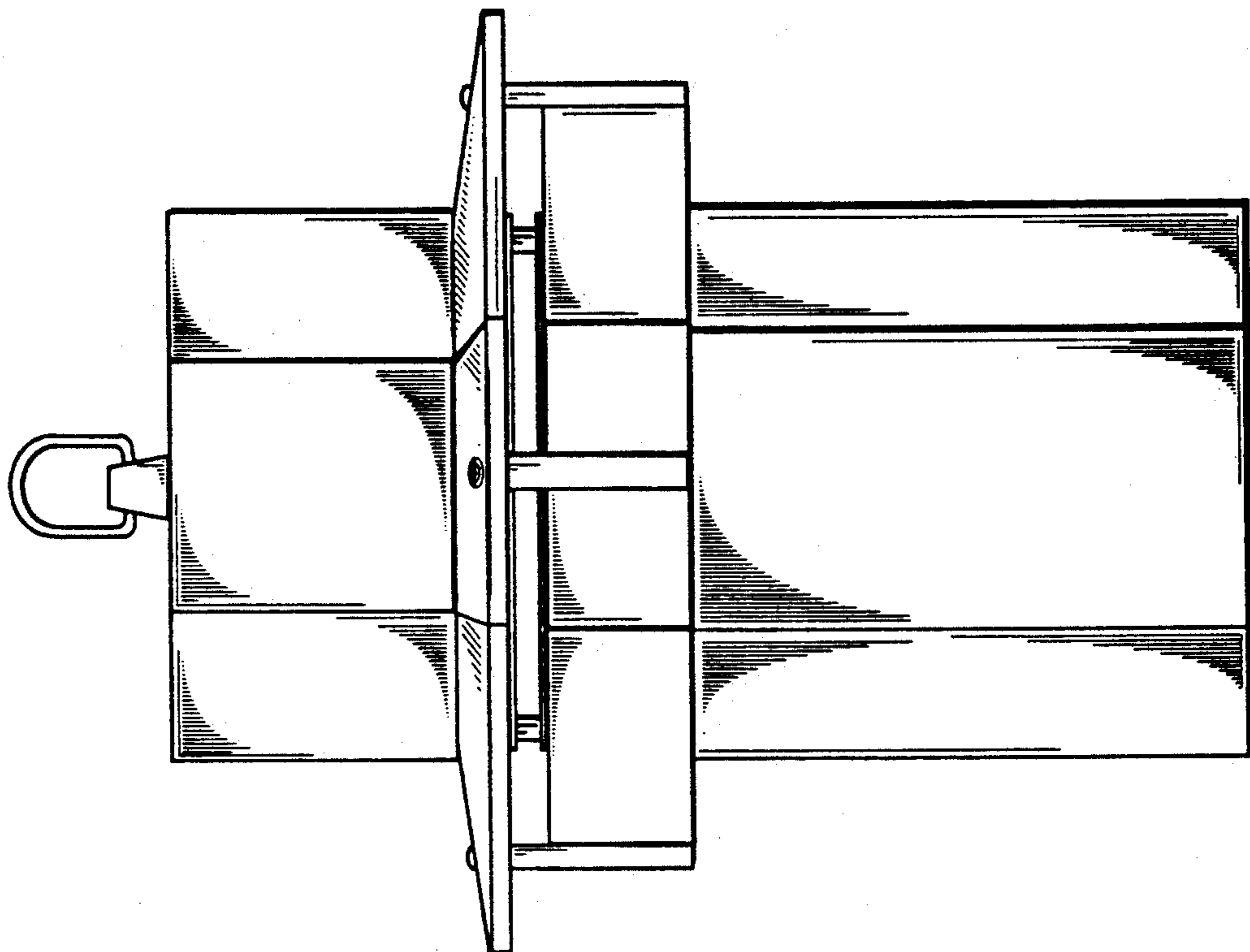


FIG 2

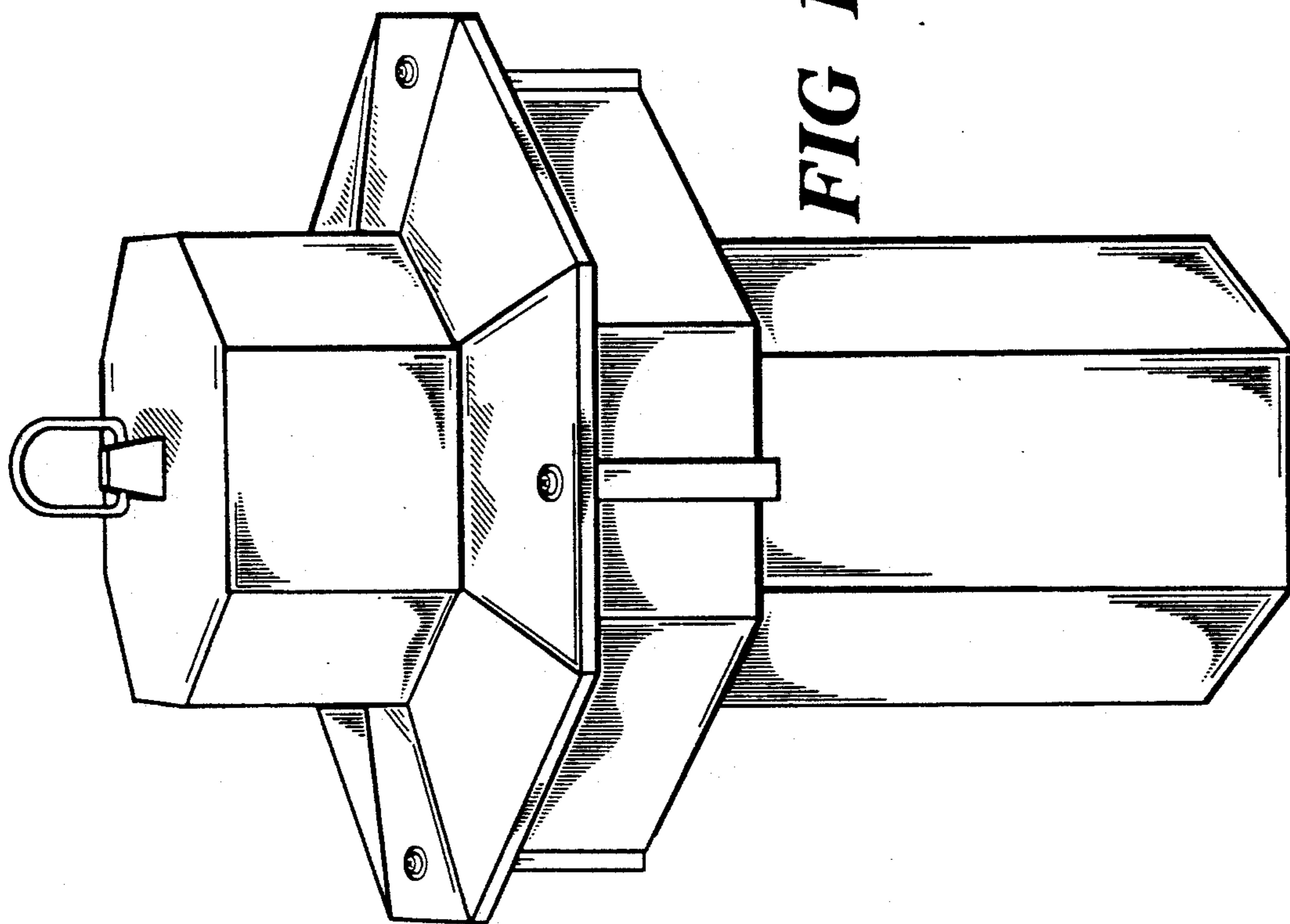


FIG 1

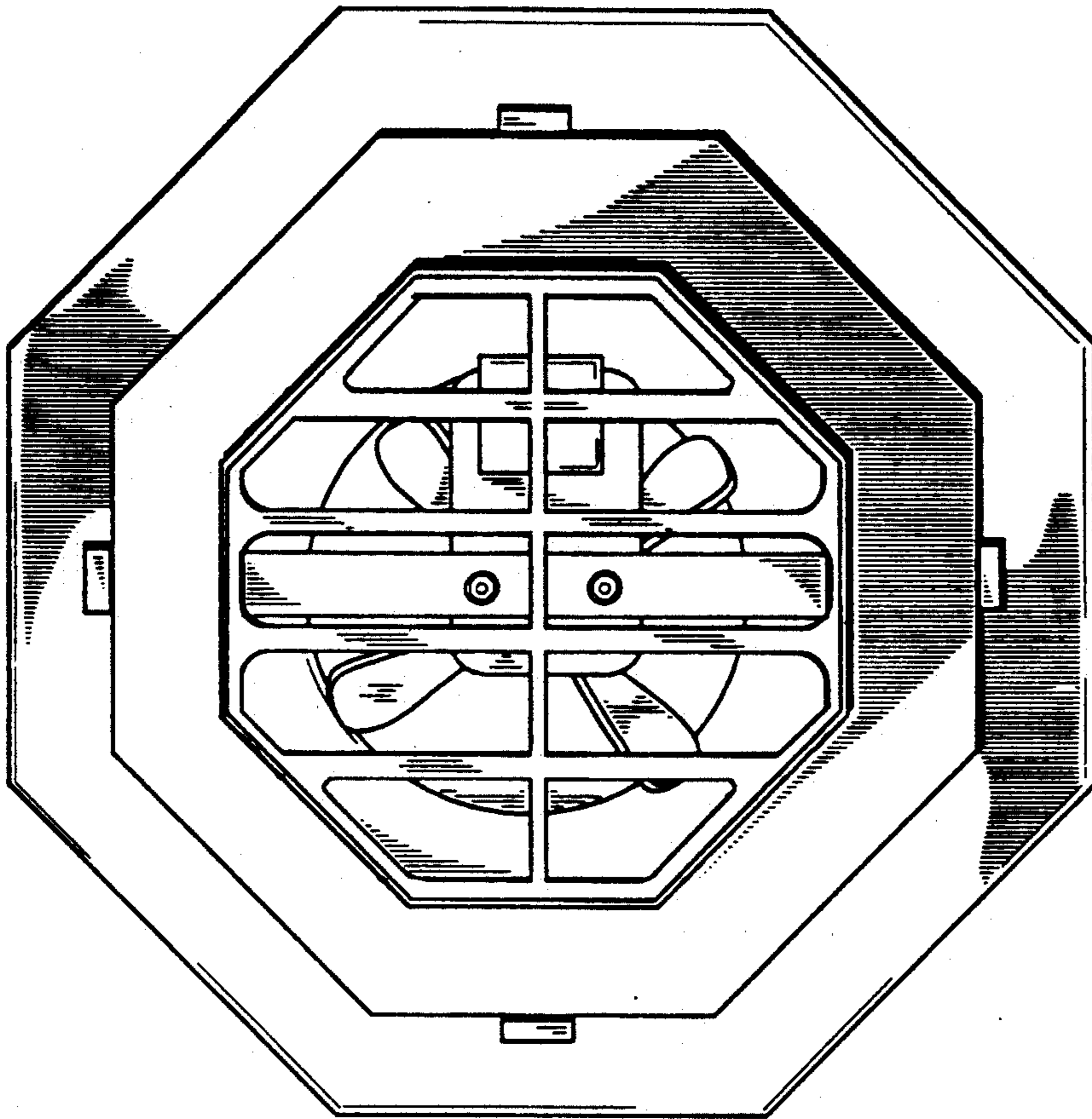


FIG 4

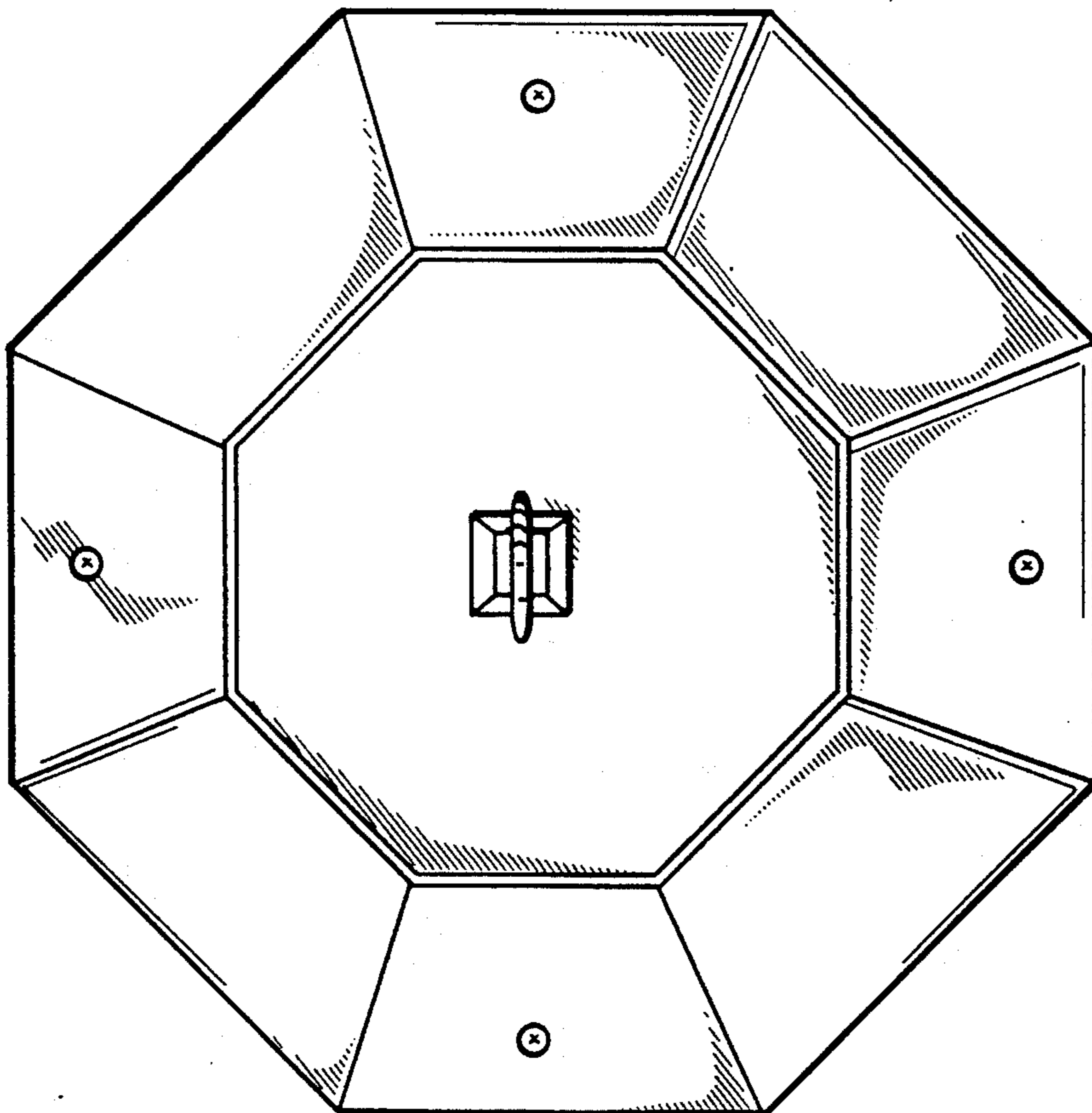


FIG 3