



US00D335905S

United States Patent [19]

[11] Patent Number: **Des. 335,905**

Cutter et al.

[45] Date of Patent: **** May 25, 1993**

[54] CROSS-COUNTRY SKI SIMULATOR EXERCISER

[75] Inventors: **Weston L. Cutter, Mendota Heights; Timothy S. Engel, Mound; James R. Bostic, Waconia, all of Minn.**

[73] Assignee: **NordicTrack, Inc., Chaska, Minn.**

[**] Term: **14 Years**

[21] Appl. No.: **695,752**

[22] Filed: **May 6, 1991**

[52] U.S. Cl. **D21/191**

[58] Field of Search **D21/191, 192, 193; 482/70, 71, 74, 79**

[56] References Cited

U.S. PATENT DOCUMENTS

D. 299,369	1/1989	Smith et al.	D21/191
4,659,077	4/1987	Stropkay	482/70
4,709,918	12/1987	Grinblat	482/70
4,867,443	9/1989	Jensen	482/70
5,000,442	3/1991	Dalebout et al.	482/70

OTHER PUBLICATIONS

NordicTrack Brochure N1B-05, "NordicTrack Brings the World's Best Aerobic Exercise Into Your Home"-1990.

NordicTrack Brochure N2B-4C-03, "Make a Lifetime Investment in Yourself"-1990.

NordicTrack Brochure EB-01, "Elite" 1989.

NordicTrack Flyer NT-MED-1-02, "Medalist"-1990.

NordicTrack Brochure EB-01, "Elite"-1989.

Primary Examiner—Bernard Ansher

Assistant Examiner—P. Hyder

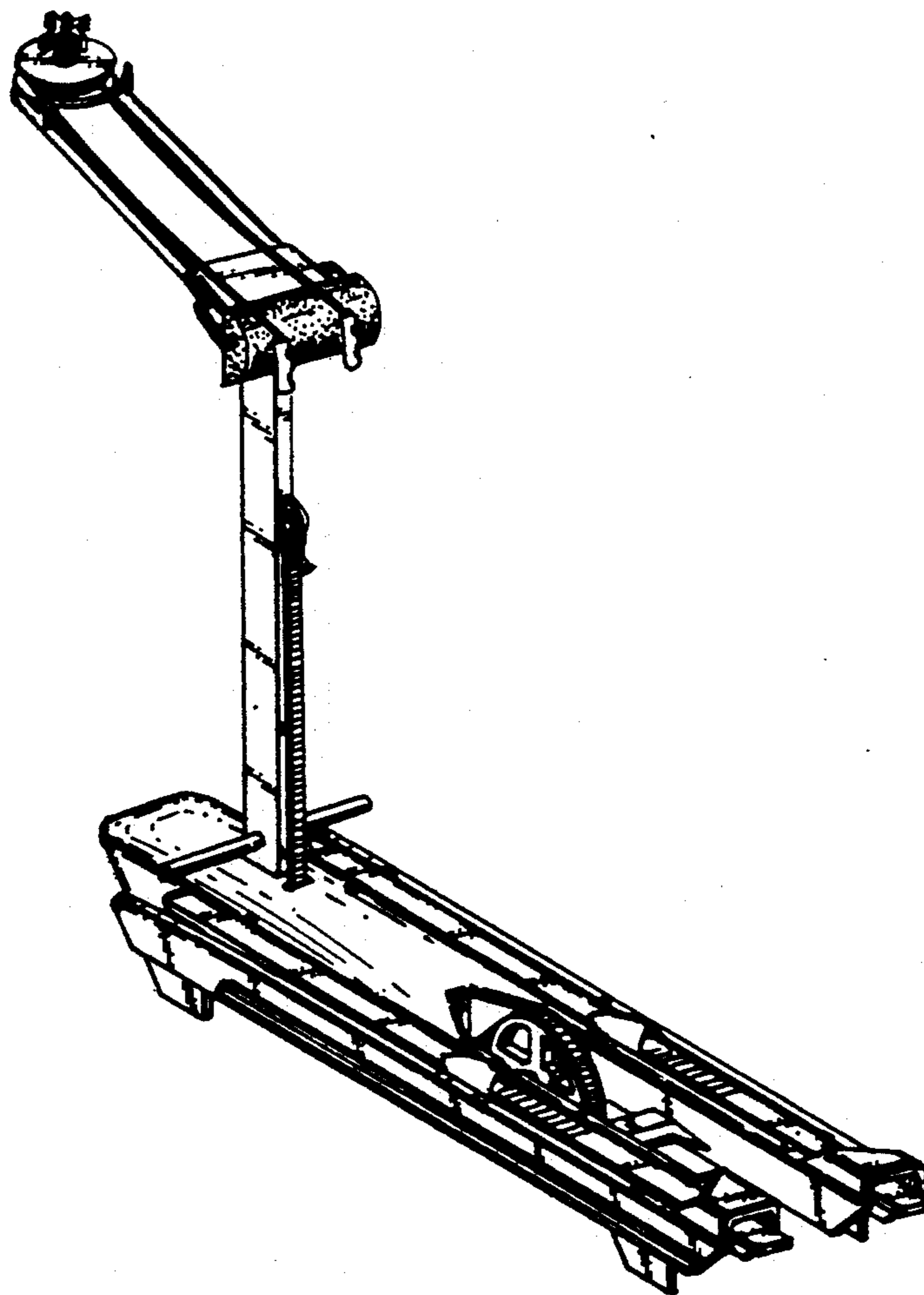
Attorney, Agent, or Firm—Merchant, Gould, Smith, Edell, Welter & Schmidt

[57] CLAIM

The ornamental design for a cross-country ski simulator exerciser, as shown and described.

DESCRIPTION

FIG. 1 is a perspective view of a cross-country ski simulator exerciser, showing our new design; FIG. 2 is a left side elevational view thereof; FIG. 3 is a front elevational view thereof; and, FIG. 4 is a rear elevational view thereof.



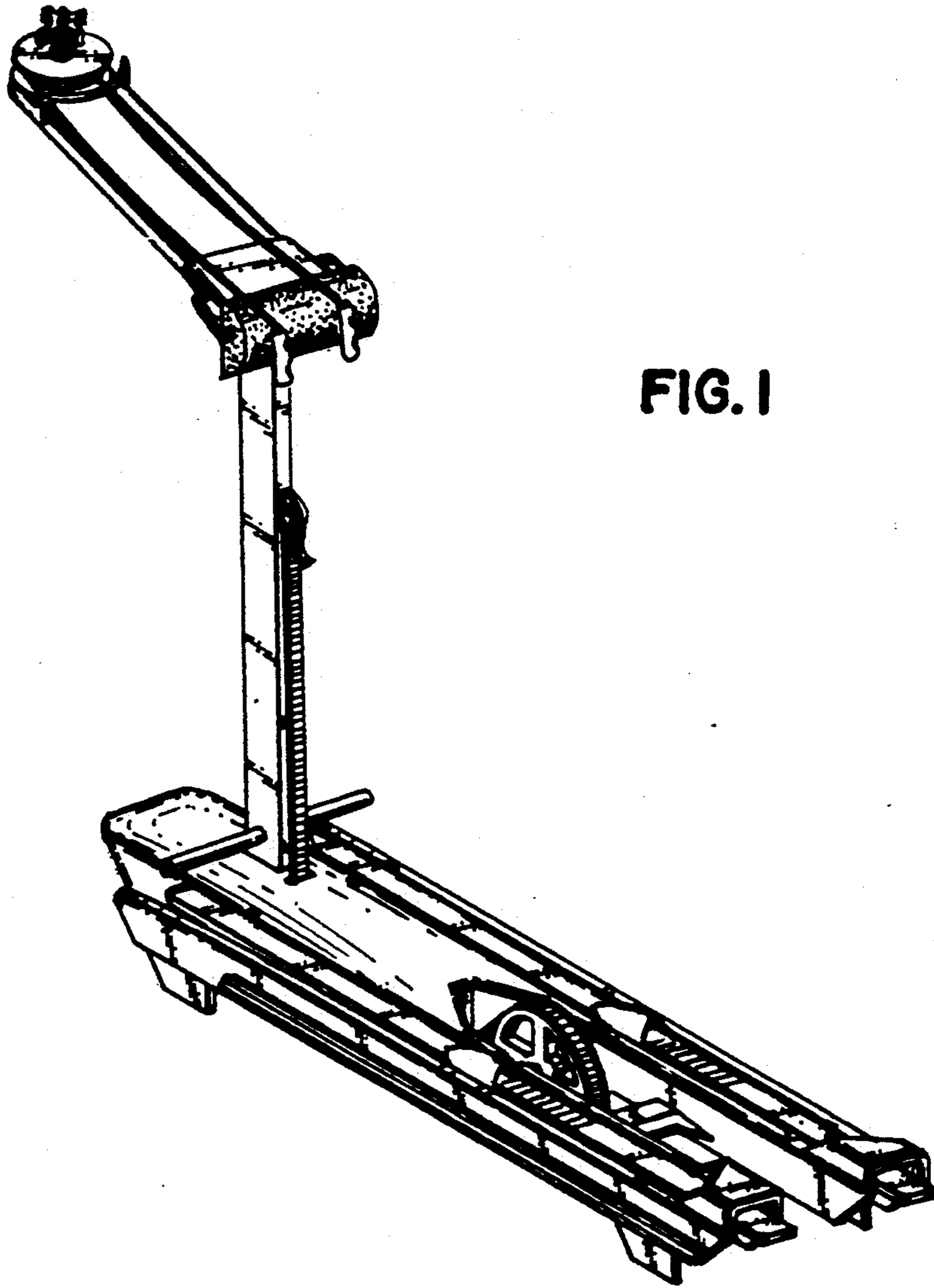


FIG. 1

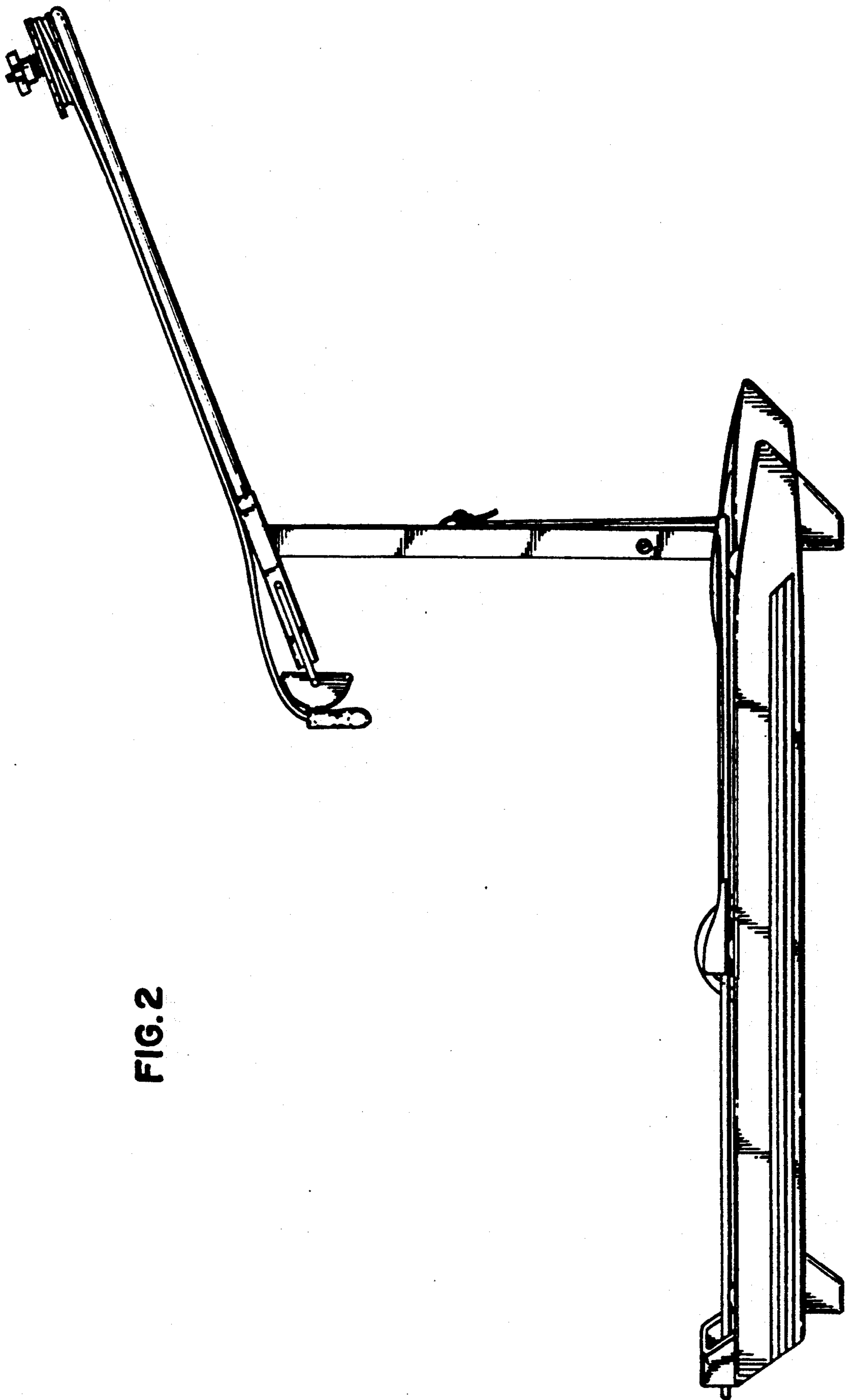


FIG. 2

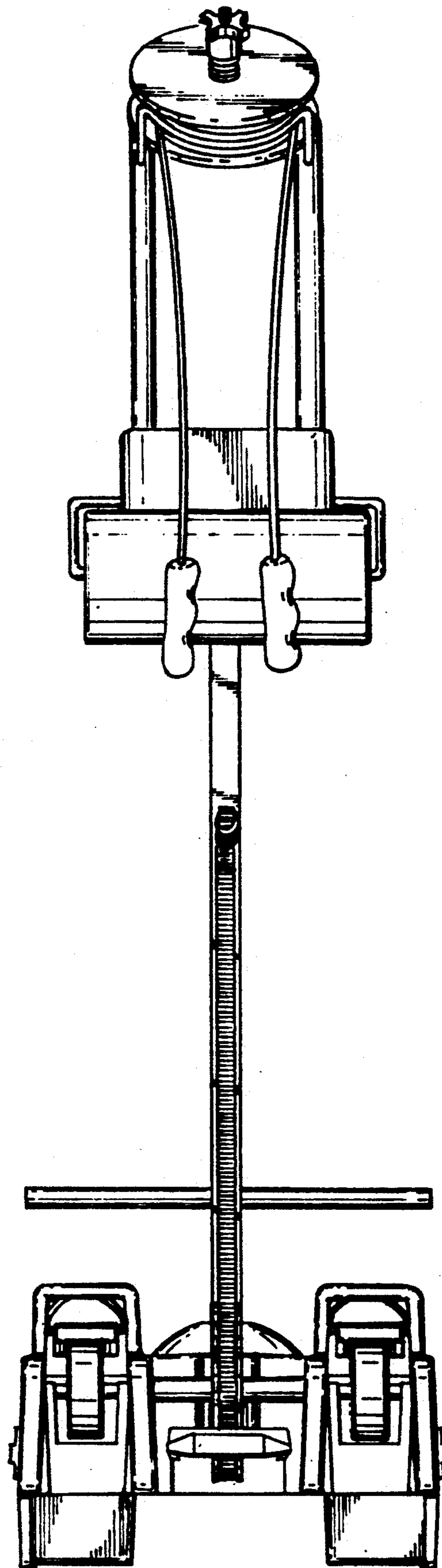


FIG. 3

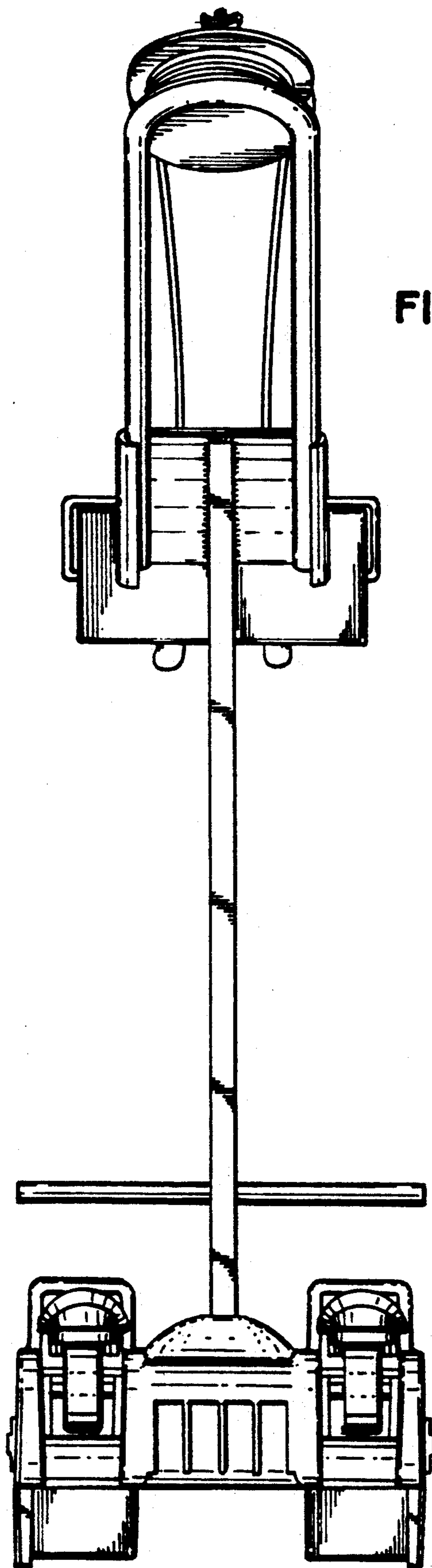


FIG. 4