



US00D335899S

# United States Patent [19]

[11] Patent Number: **Des. 335,899**

**Deluca**

[45] Date of Patent: **\*\* May 25, 1993**

[54] **DICE GAME BOX**

440077 12/1935 United Kingdom ..... 273/268

[76] Inventor: **Leonardo Deluca**, 22 Trump St.,  
Daniels, W. Va. 25832

*Primary Examiner*—Melvin B. Feifer  
*Attorney, Agent, or Firm*—Terry M. Gernstein

[\*\*] Term: **14 Years**

[57] **CLAIM**

[21] Appl. No.: **551,609**

The ornamental design for a dice game box, as shown and described.

[22] Filed: **Jul. 12, 1990**

[52] U.S. Cl. .... **D21/41**

[58] Field of Search ..... **D21/41; 273/268**

### DESCRIPTION

[56] **References Cited**

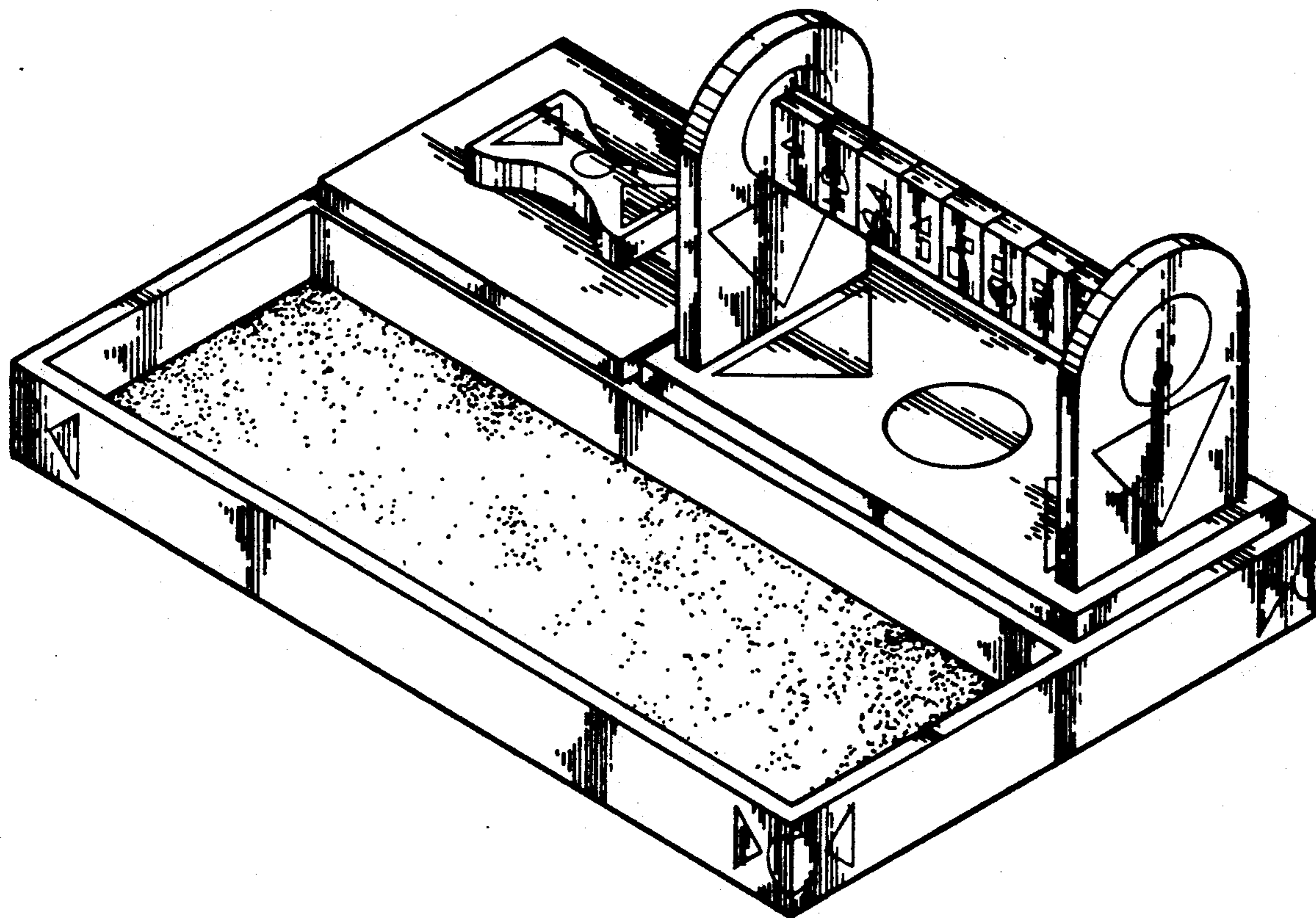
#### U.S. PATENT DOCUMENTS

1,466,534	8/1923	Kuen	273/268
3,747,934	7/1973	Barrett	273/268
4,421,315	12/1983	Cutler	273/268

#### FOREIGN PATENT DOCUMENTS

778884	1/1935	France	273/268
304440	1/1929	United Kingdom	273/268

FIG. 1 is a perspective view of a dice game box showing my new design;  
 FIG. 2 is an exploded perspective view thereof for clarity of illustration;  
 FIG. 3 is a perspective view of the game box in closed form;  
 FIG. 4 is a side elevational view of FIG. 3;  
 FIG. 5 is a front elevational view of FIG. 3, the rear being a mirror image thereof;  
 FIG. 6 is a top plan view thereof; and,  
 FIG. 7 is a bottom view thereof.



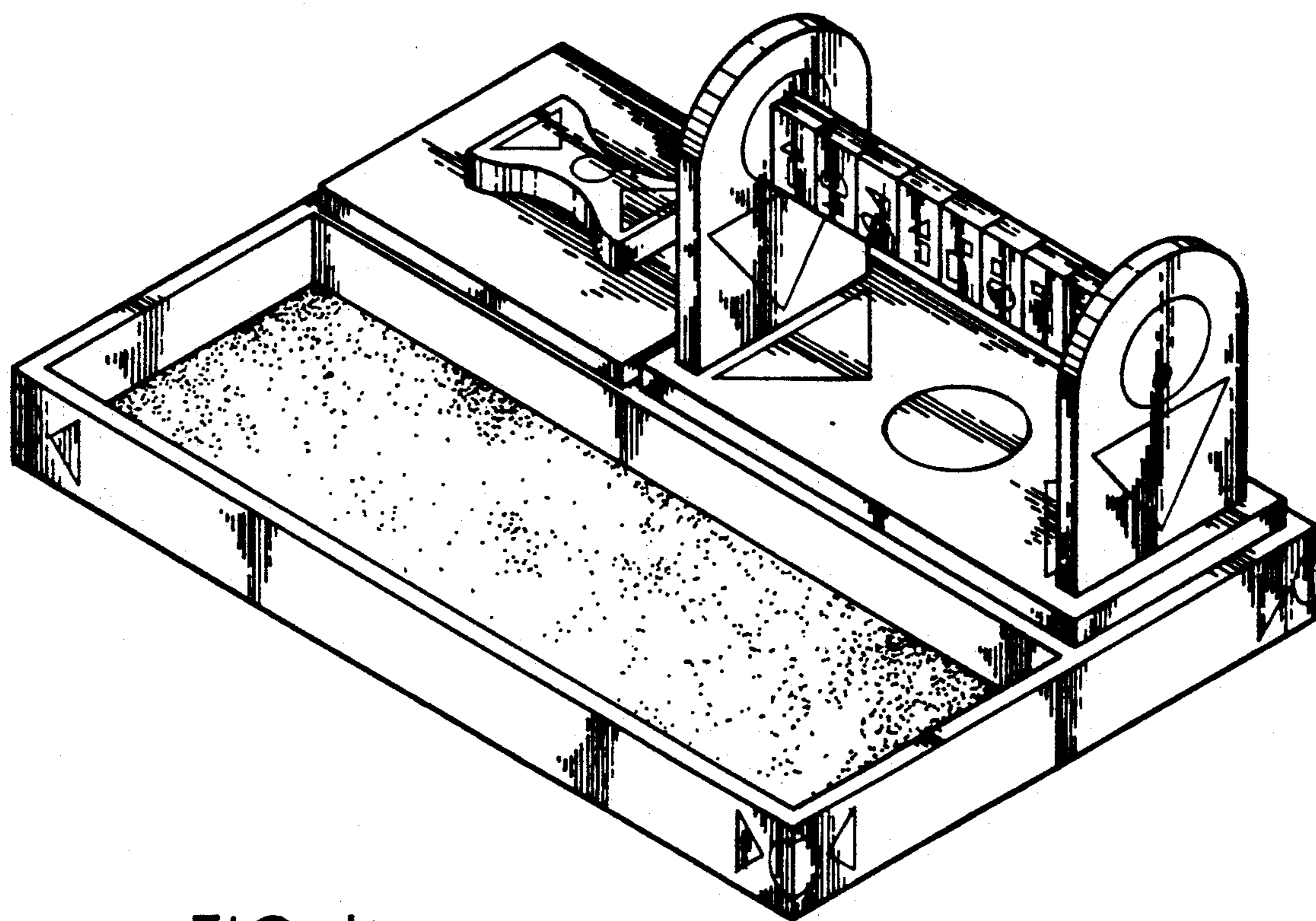


FIG. 1



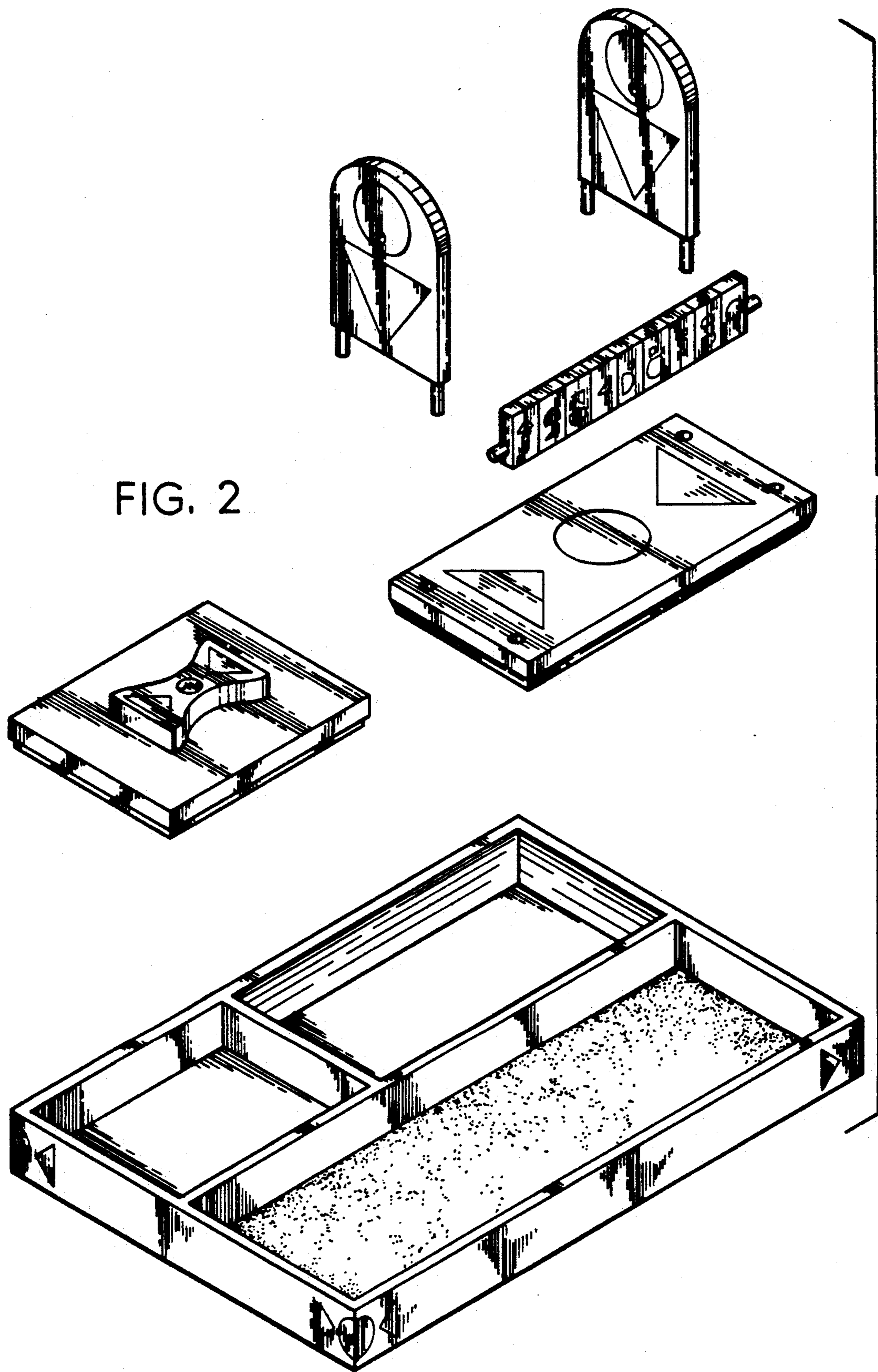


FIG. 2

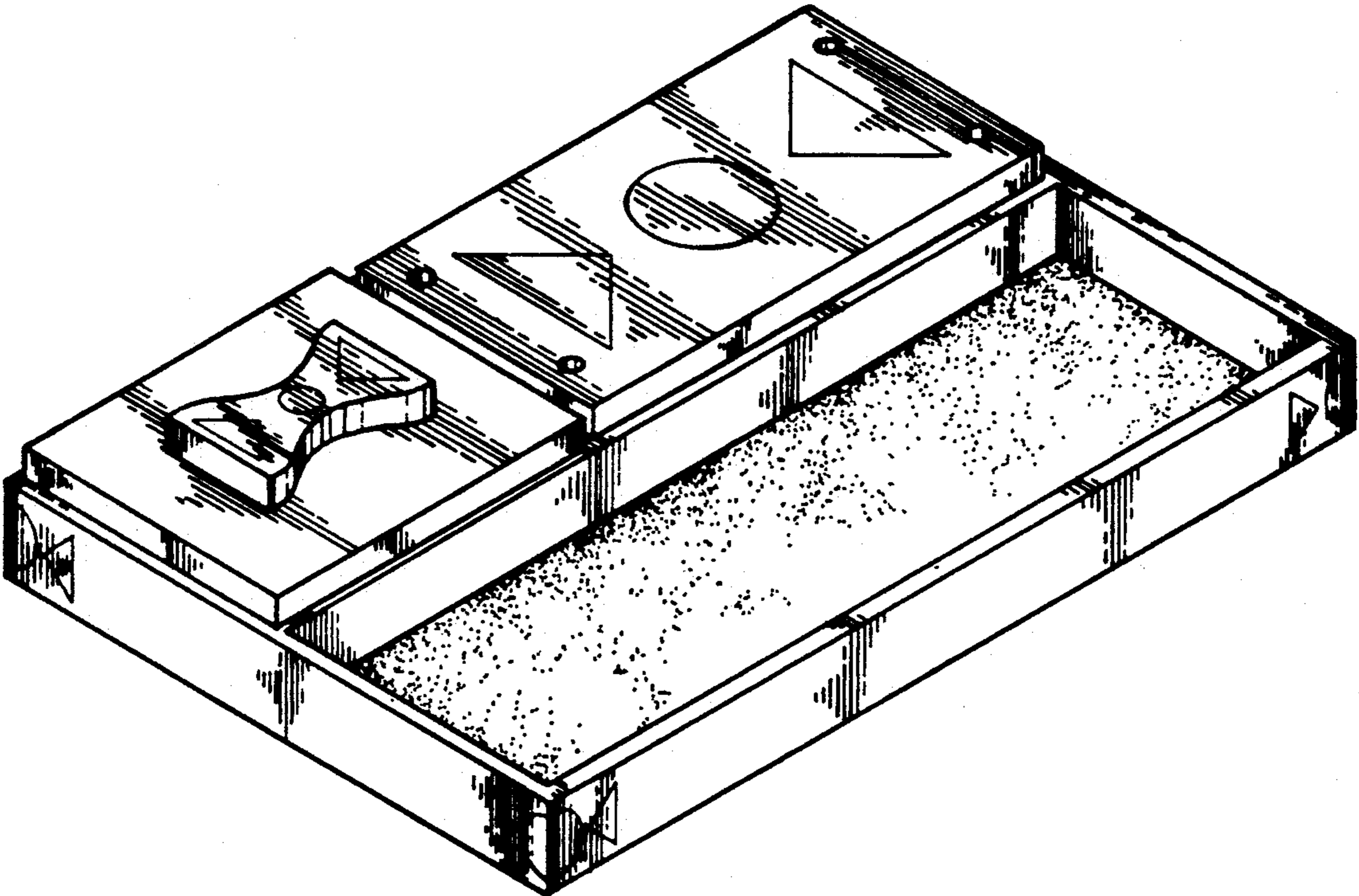


FIG. 3

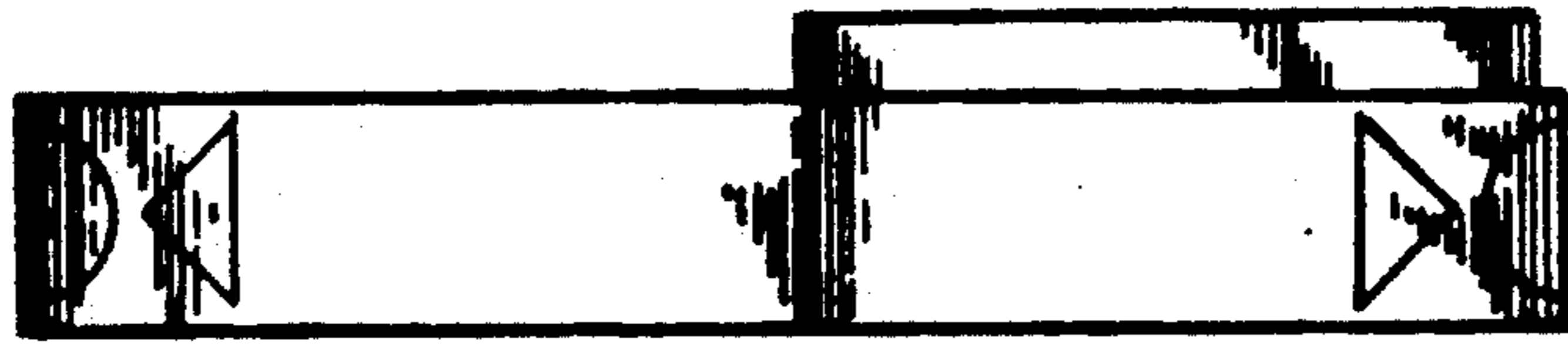


FIG. 4

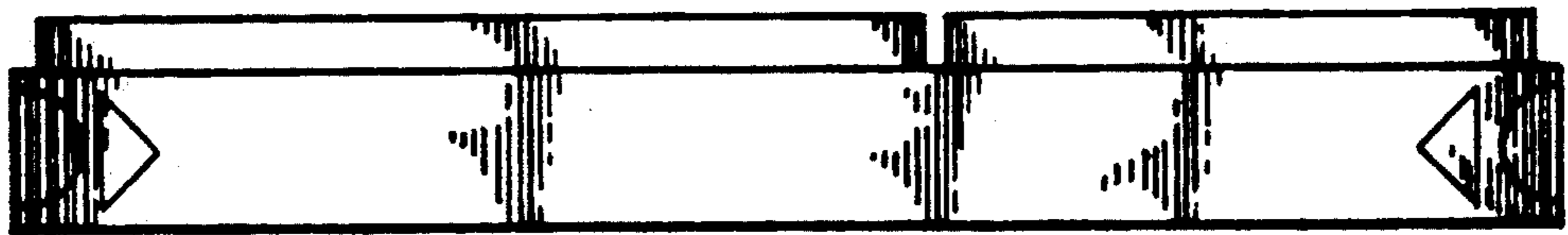


FIG. 5

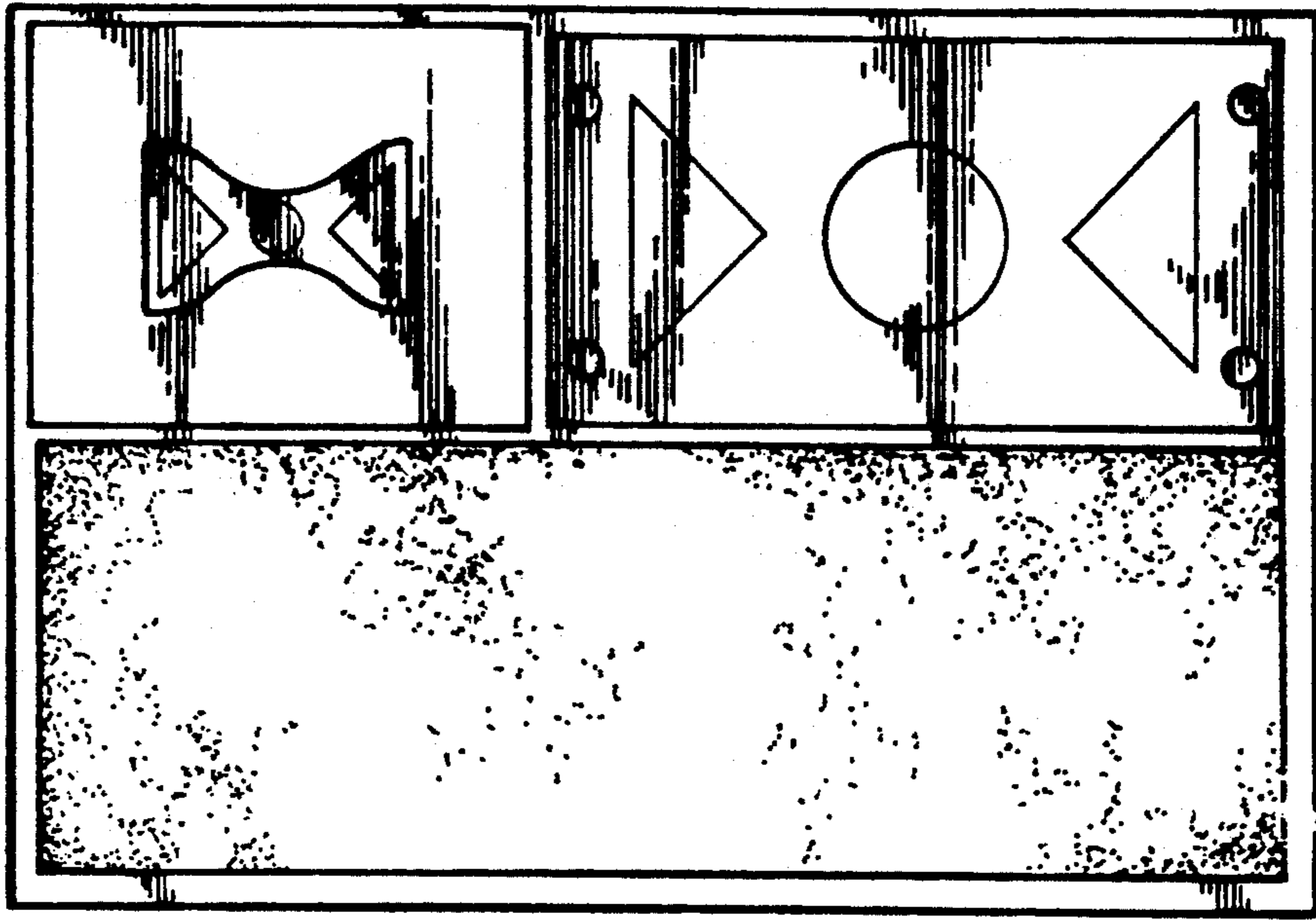


FIG. 6

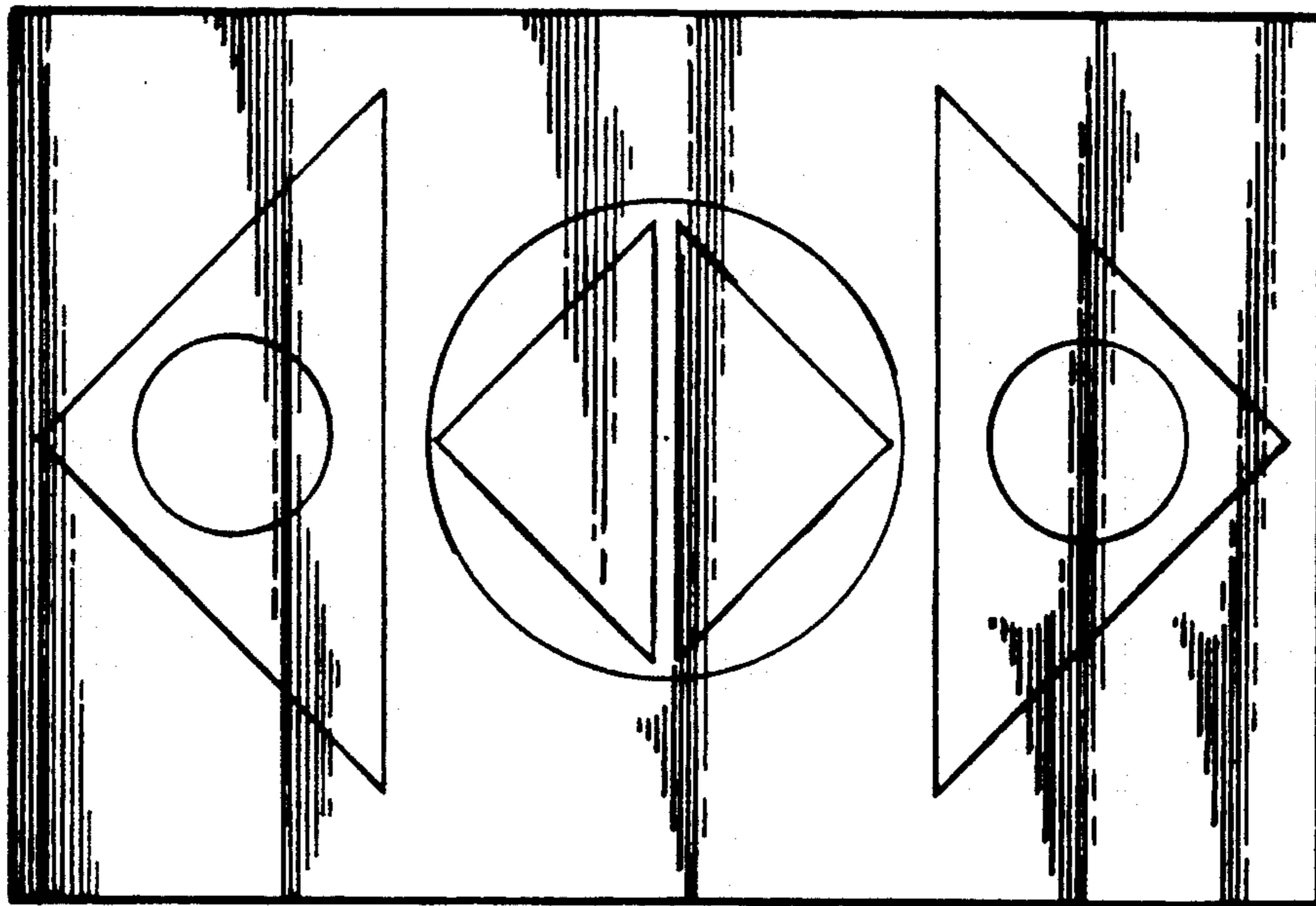


FIG. 7