



US00D335896S

United States Patent [19]

[11] Patent Number: **Des. 335,896**

Evenson

[45] Date of Patent: **** May 25, 1993**

[54] **PENCIL BOX**

[75] Inventor: **Mel Evenson, San Pedro, Calif.**

[73] Assignee: **Rubbermaid Office Products Group Inc., Maryville, Tenn.**

[**] Term: **14 Years**

[21] Appl. No.: **806,464**

[22] Filed: **Dec. 13, 1991**

[52] U.S. Cl. **D19/83; D19/75; D19/77; D19/35**

[58] Field of Search **D28/73, 76, 78, 91; D3/74; D19/35, 36, 65, 75, 77, 78, 81-85, 95, 99, 100; D9/414, 430, 432; 206/214, 224, 371, 1.7-1.9; 211/69, 69.1-69.9**

[56] **References Cited**

U.S. PATENT DOCUMENTS

- D. 147,025 7/1947 Shepard D19/83 X
- D. 163,210 5/1951 Long D3/74
- D. 200,881 4/1965 Anderson D19/35 X
- D. 238,719 2/1976 Howard D3/74 X
- D. 278,097 3/1985 Akiyoshi D3/74

- D. 278,207 4/1985 McLaughlin D9/432 X
- D. 283,561 4/1986 Geist D3/74
- D. 302,026 7/1989 Tu D19/75
- D. 306,234 2/1990 Ferstl D19/77 X
- D. 327,017 6/1992 Shih D19/83 X
- 4,807,744 2/1989 Chiou 206/214

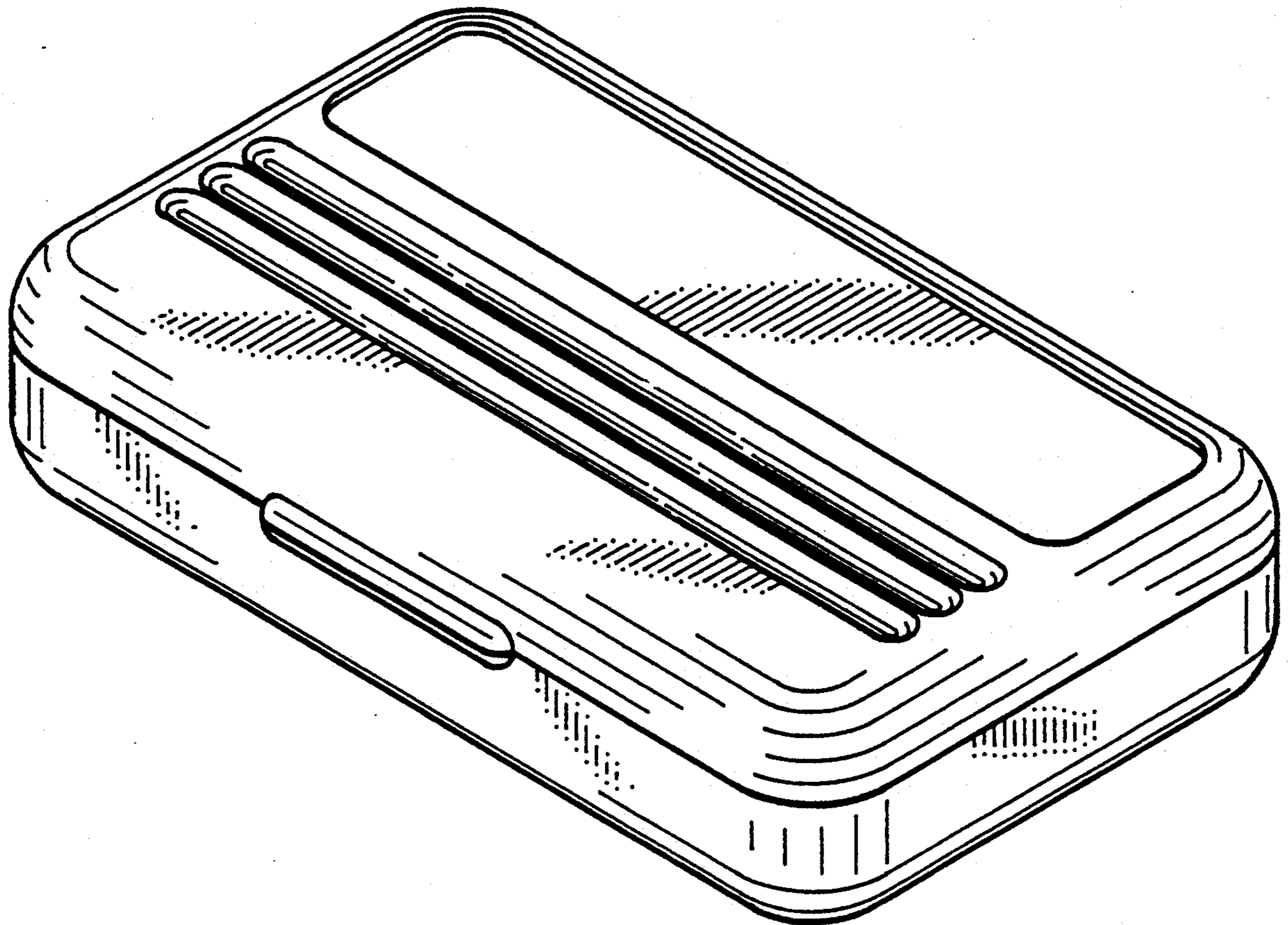
Primary Examiner—Nelson C. Holtje
Assistant Examiner—Martha Thompson
Attorney, Agent, or Firm—Richard B. O'Planick

[57] CLAIM

The ornamental design for a pencil box, as shown and described.

DESCRIPTION

FIG. 1 is a top plan view of a pencil box showing my new design;
FIG. 2 is a bottom plan view;
FIG. 3 is a front elevational view;
FIG. 4 is a rear elevational view;
FIG. 5 is a side elevational view, the other side being a mirror image; and,
FIG. 6 is a perspective view of FIG. 1 through 5 thereof.



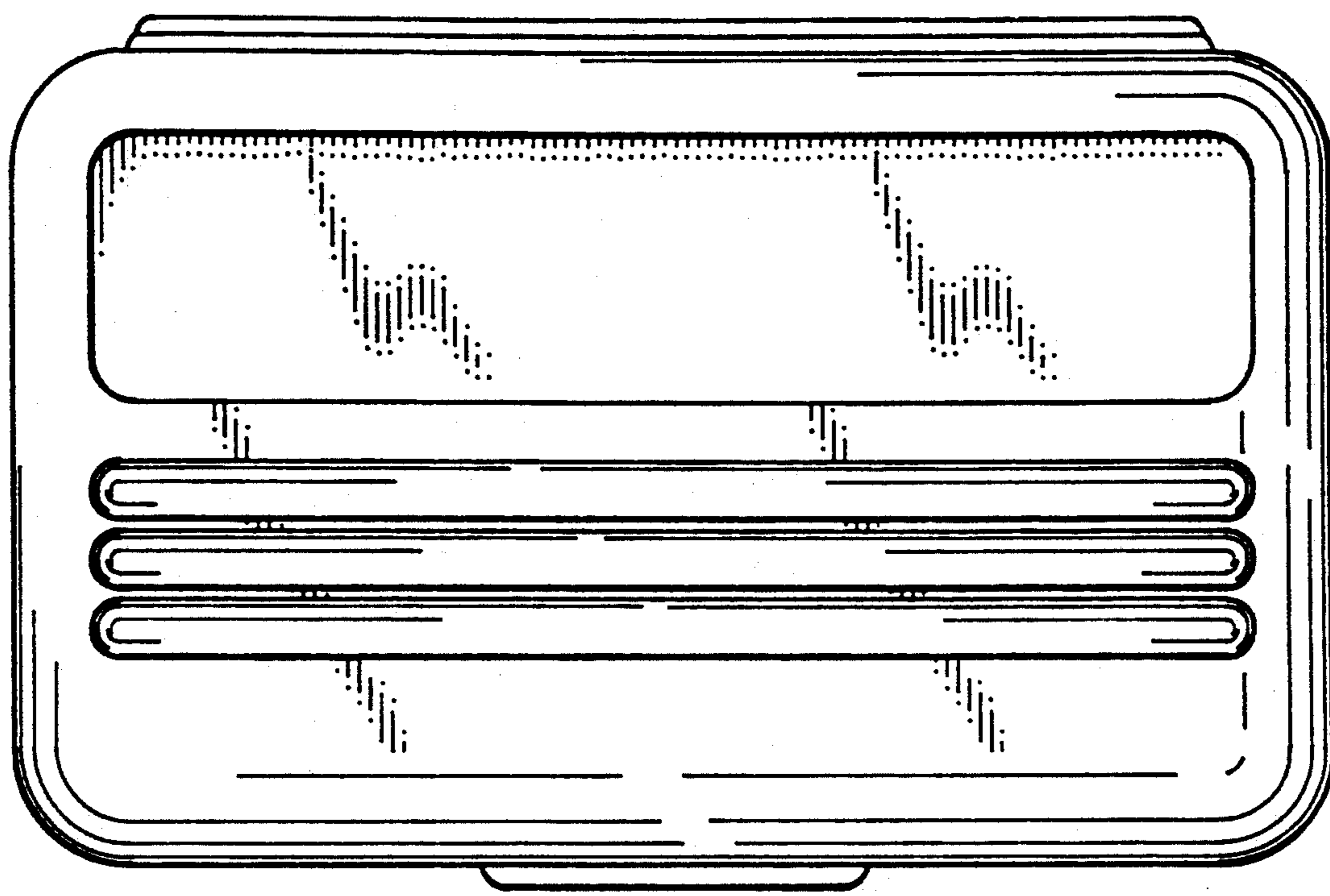


FIG. 1

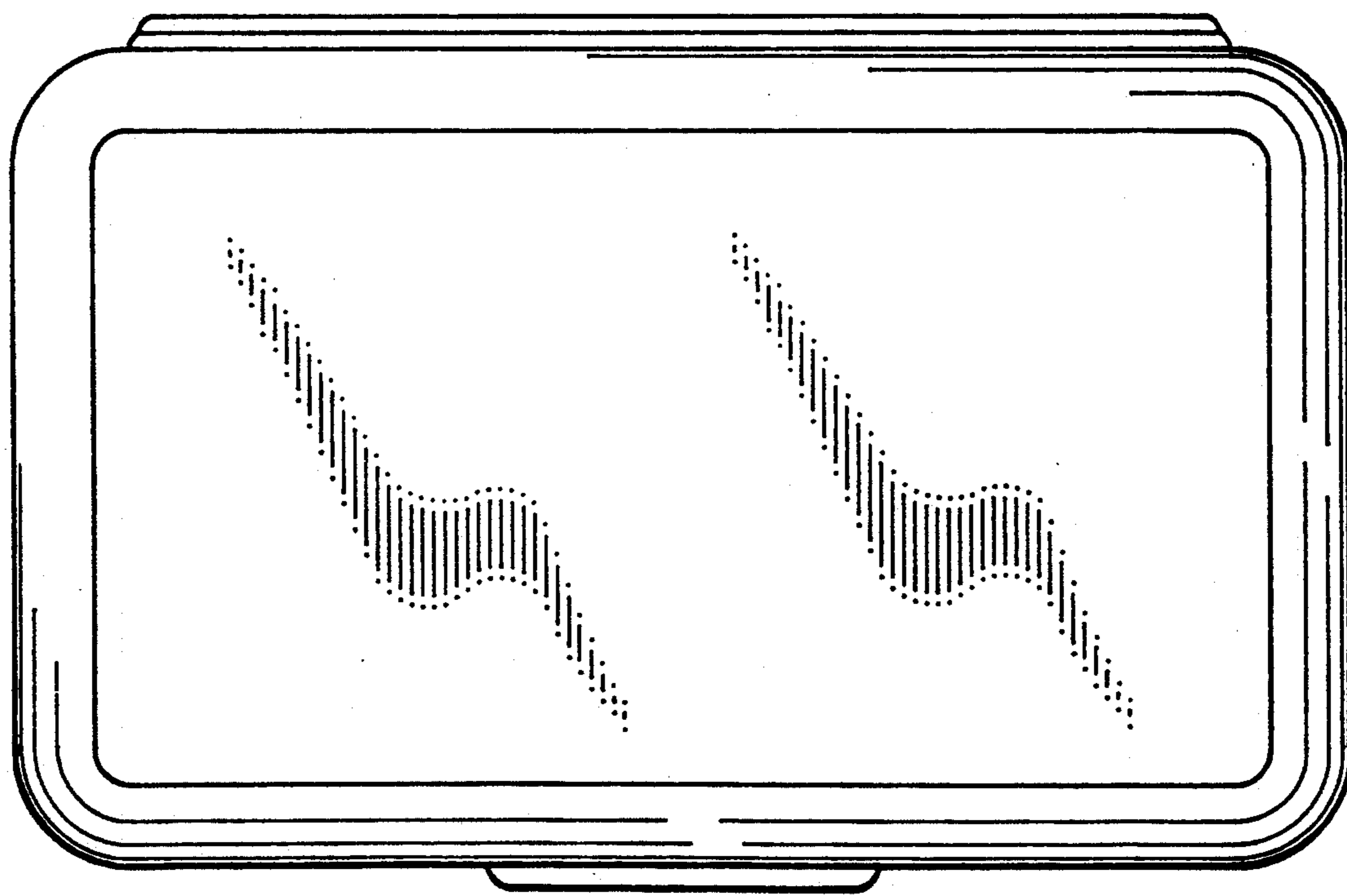


FIG. 2

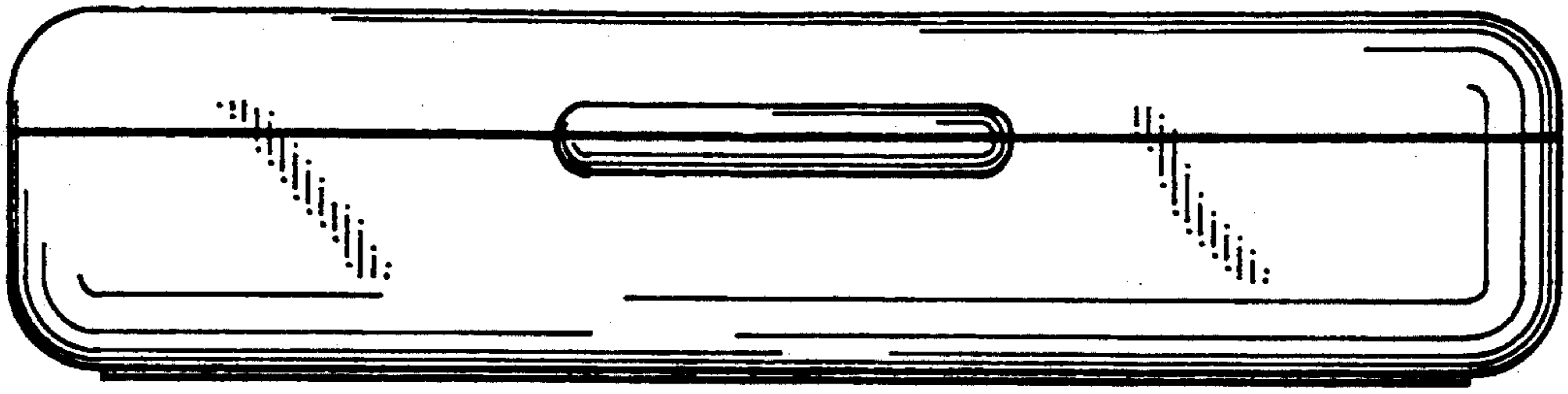


FIG 3

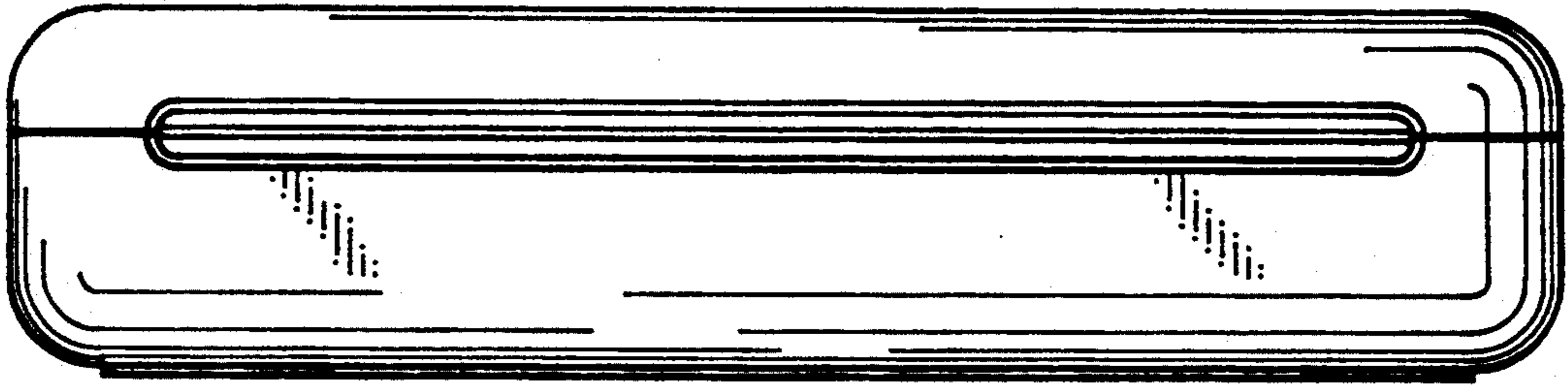


FIG. 4

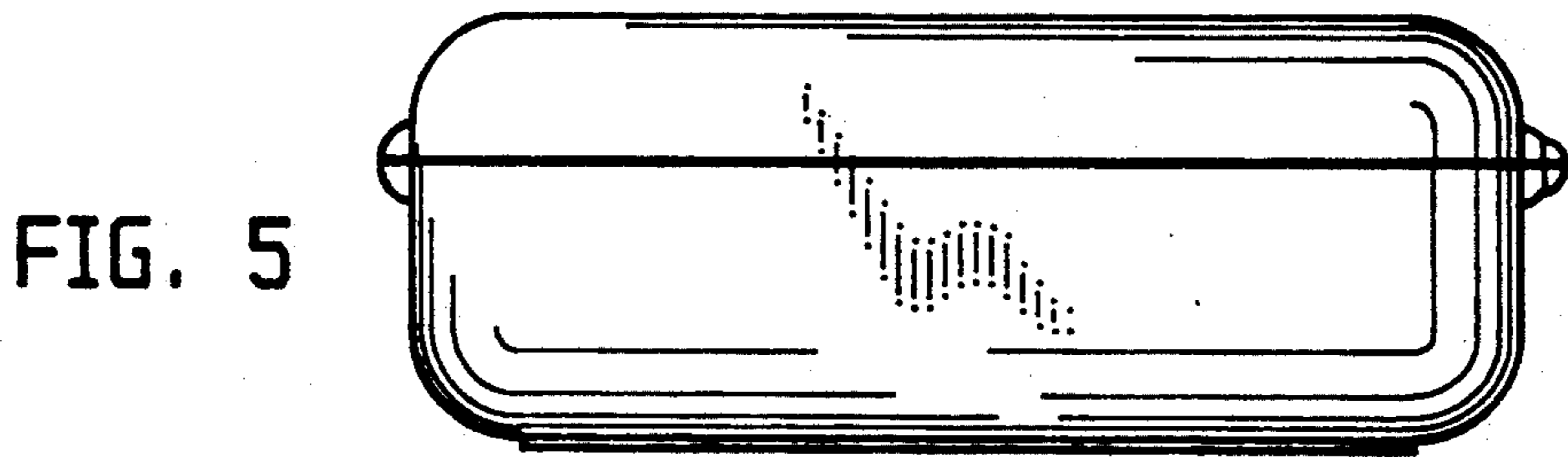


FIG. 5

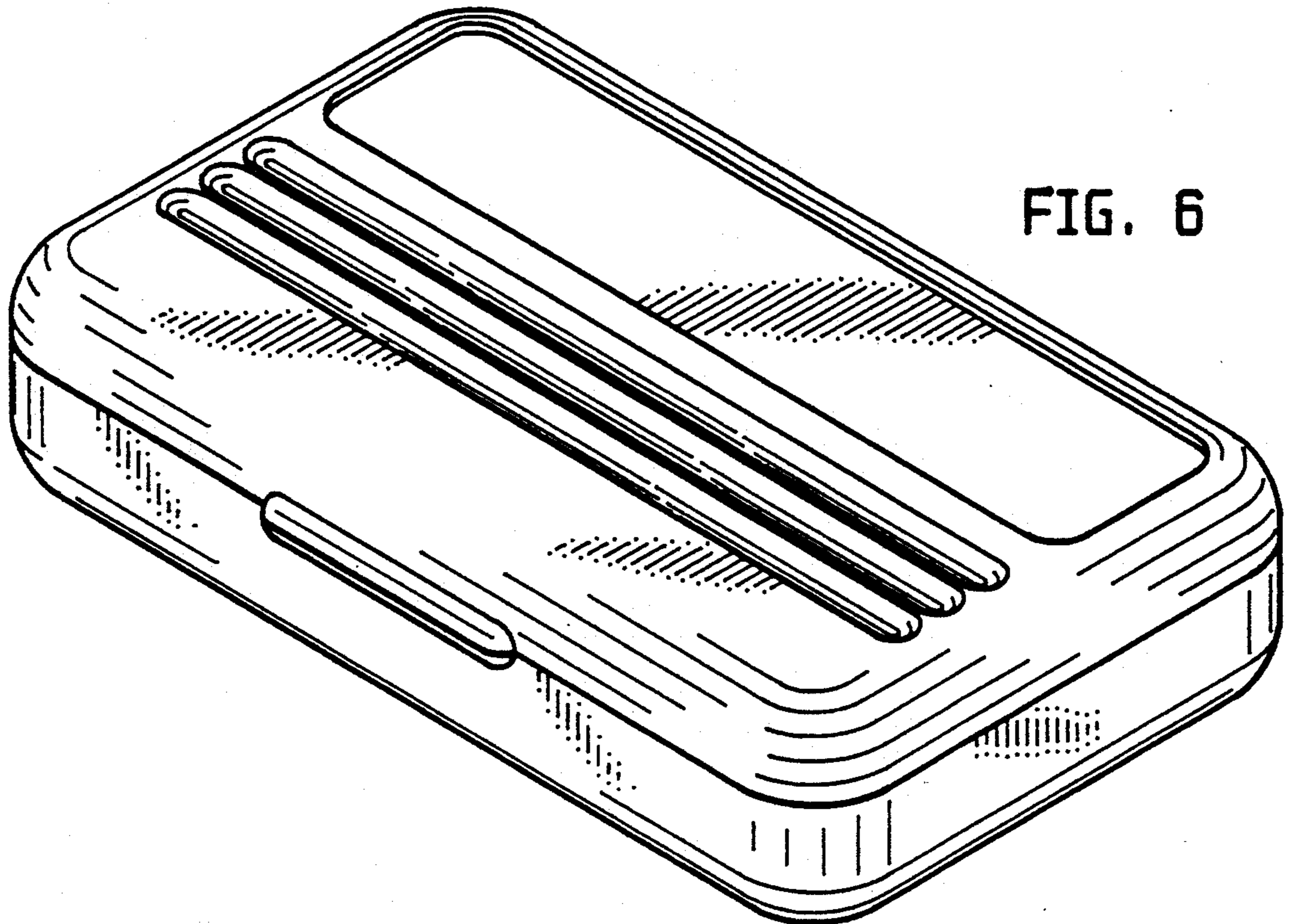


FIG. 6