



US00D335895S

United States Patent [19]

[11] Patent Number: **Des. 335,895**

Chan

[45] Date of Patent: **** May 25, 1993**

[54] **DESK ORGANIZER**

[75] Inventor: **Eric P. Chan, New York, N.Y.**

[73] Assignee: **American Trading & Production Corporation, Baltimore, Md.**

[**] Term: **14 Years**

[21] Appl. No.: **814,277**

[22] Filed: **Dec. 26, 1991**

[52] U.S. Cl. **D19/75; D19/77; D19/78; D19/83; D19/92**

[58] Field of Search **D19/35, 36, 65, 75, D19/76, 77, 78, 81-85, 86, 92, 95, 99, 100, 206/214, 215, 225, 371, 555, 1.7-1.9; 211/10, 11, 13, 126, 50**

[56] **References Cited**

U.S. PATENT DOCUMENTS

- D. 179,534 1/1957 Bullock et al. D19/92
- D. 179,652 2/1957 Olson D19/92
- D. 209,882 1/1968 Andersen D19/75 X
- D. 234,511 3/1975 Mori D19/75
- D. 239,622 4/1976 Gilomen D19/76

- D. 266,675 10/1982 Polhemus et al. D19/77
- D. 323,354 1/1992 Nava D19/78
- D. 328,103 7/1992 Ambasz D19/92
- 4,838,422 6/1989 Gregerson 206/555 X

Primary Examiner—Nelson C. Holtje
Assistant Examiner—Martha Thompson
Attorney, Agent, or Firm—Cohn, Powell & Hind

[57] **CLAIM**

The ornamental design for a desk organizer, as shown and described.

DESCRIPTION

FIG. 1 is an upper, front perspective view of a desk organizer with a compartment lid showing my new design;

FIG. 2 is a lower, rear perspective view thereof;

FIG. 3 is a similar view to FIG. 1 with the lid open;

FIG. 4 is a top plan view thereof;

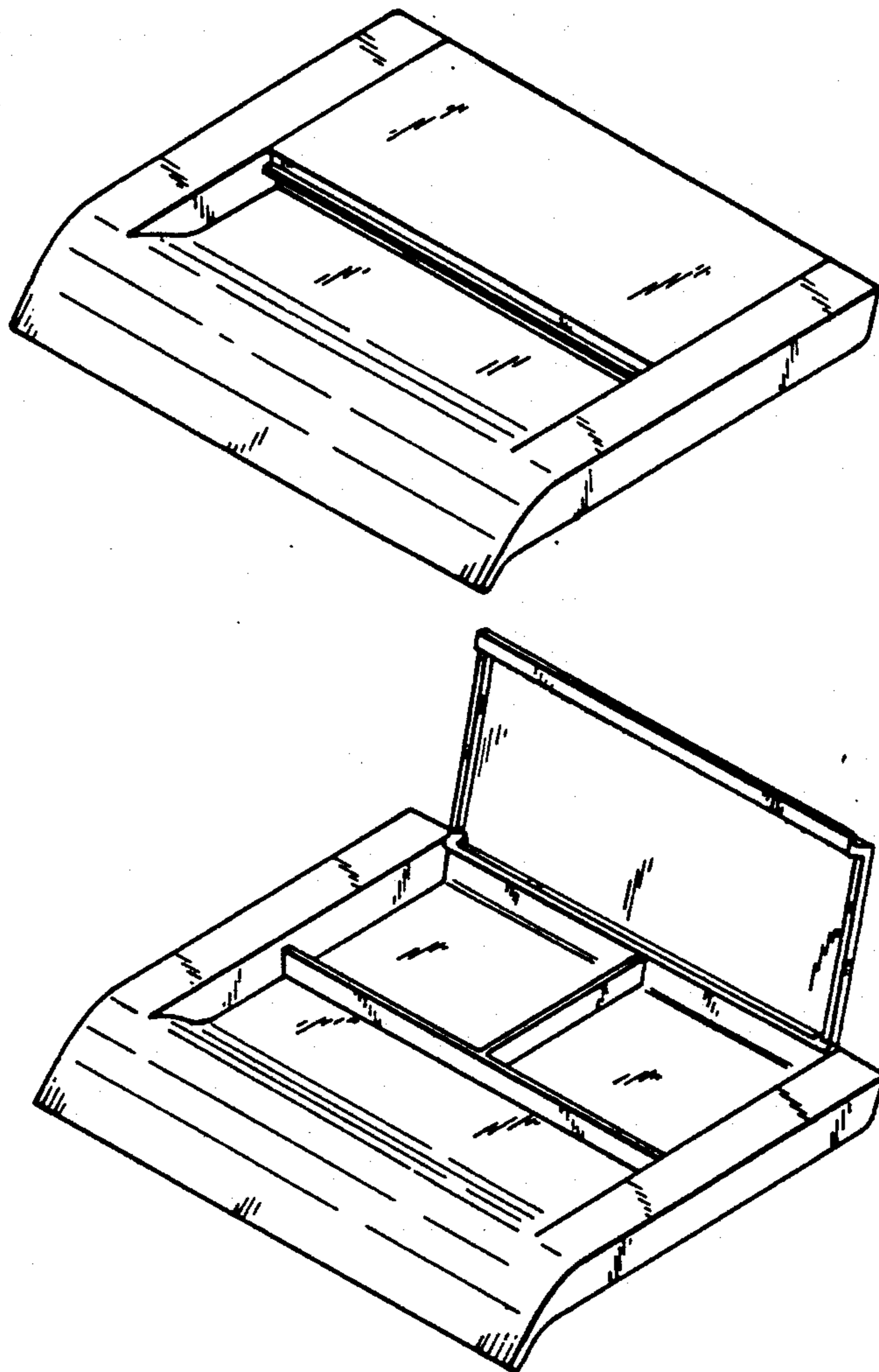
FIG. 5 is a front elevational view thereof;

FIG. 6 is a left side elevational view thereof;

FIG. 7 is a right side elevational view with the lid open;

FIG. 8 is a rear elevational view thereof, and,

FIG. 9 is a bottom plan view thereof.



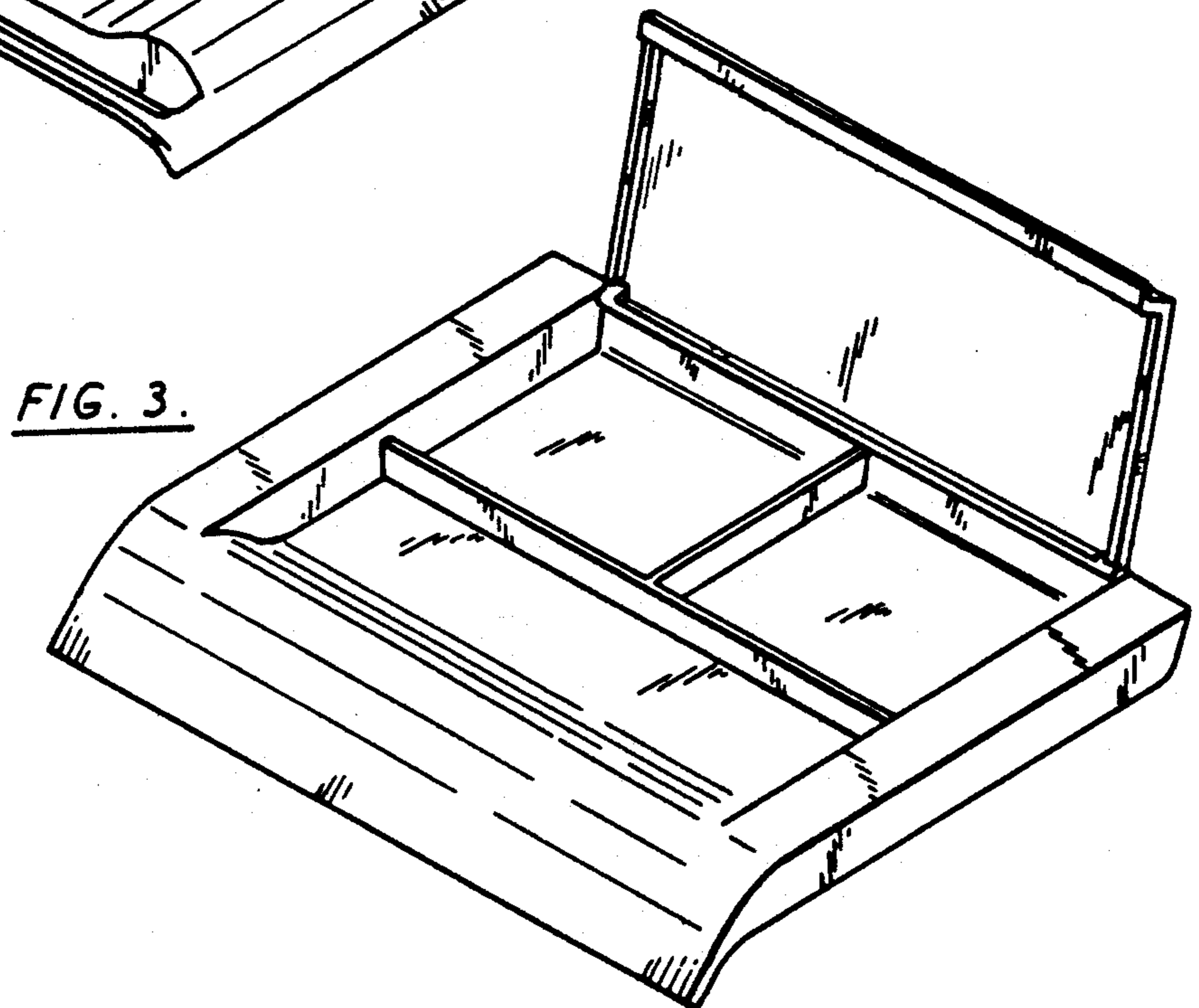
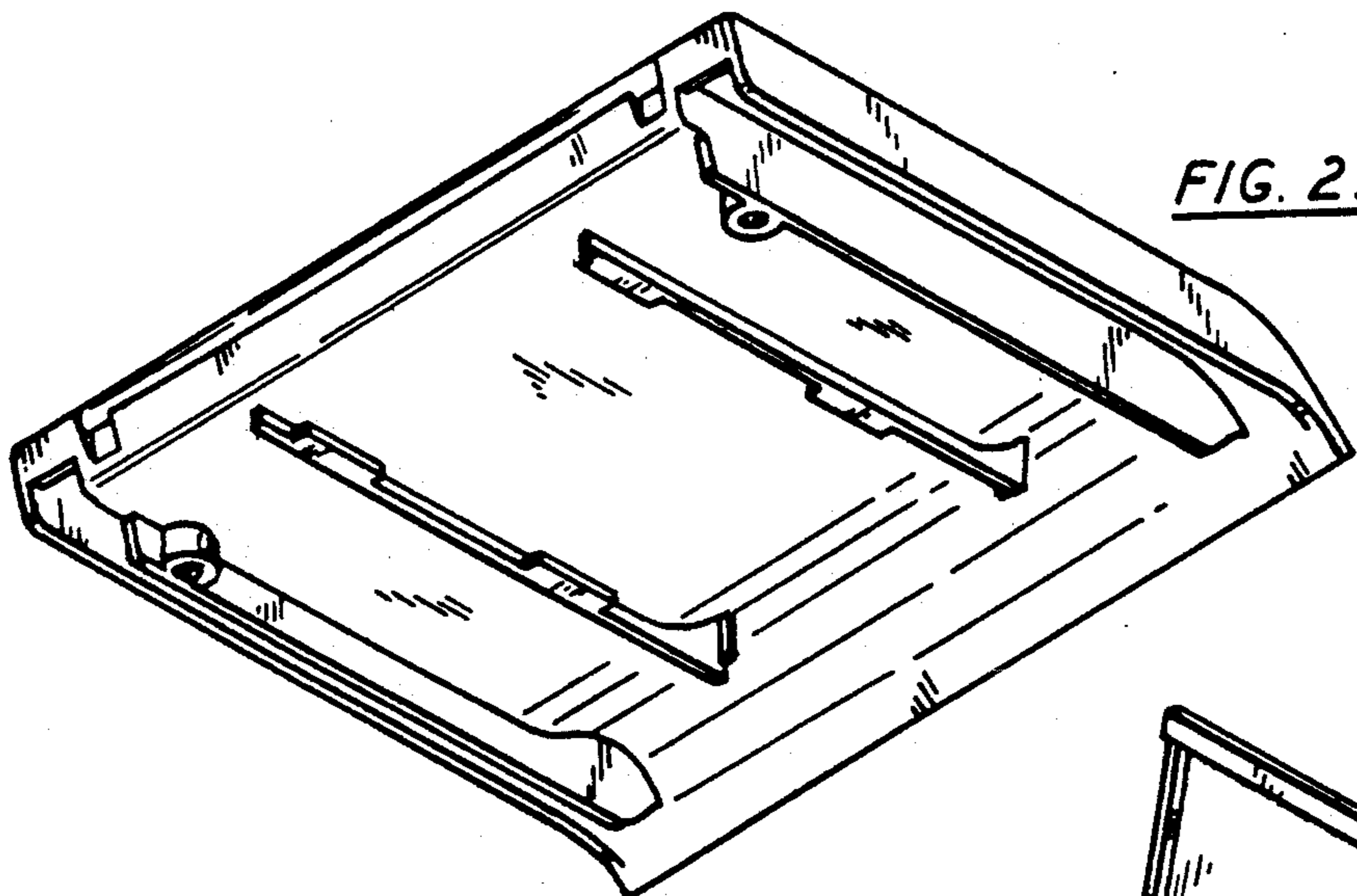
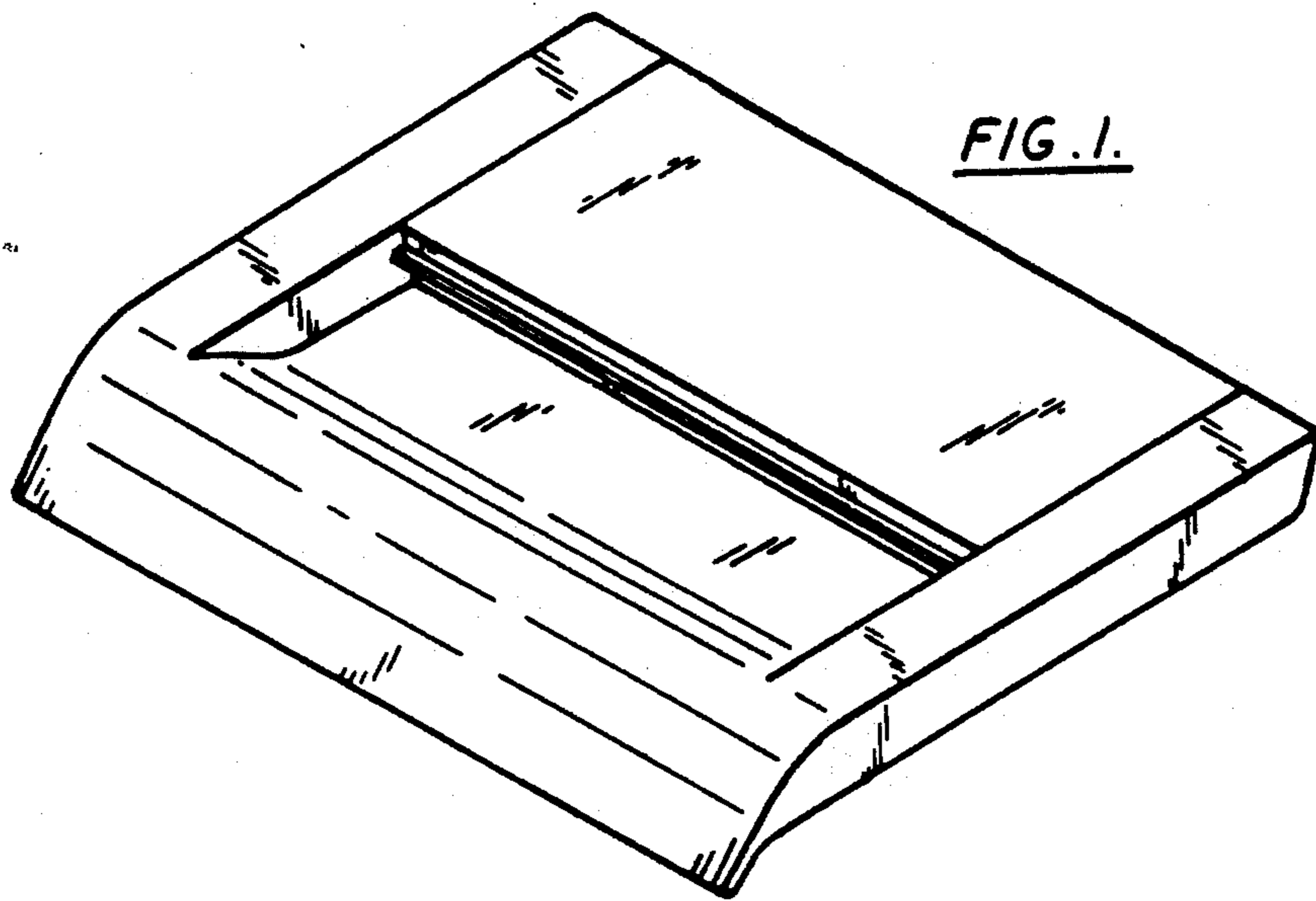


FIG. 4.

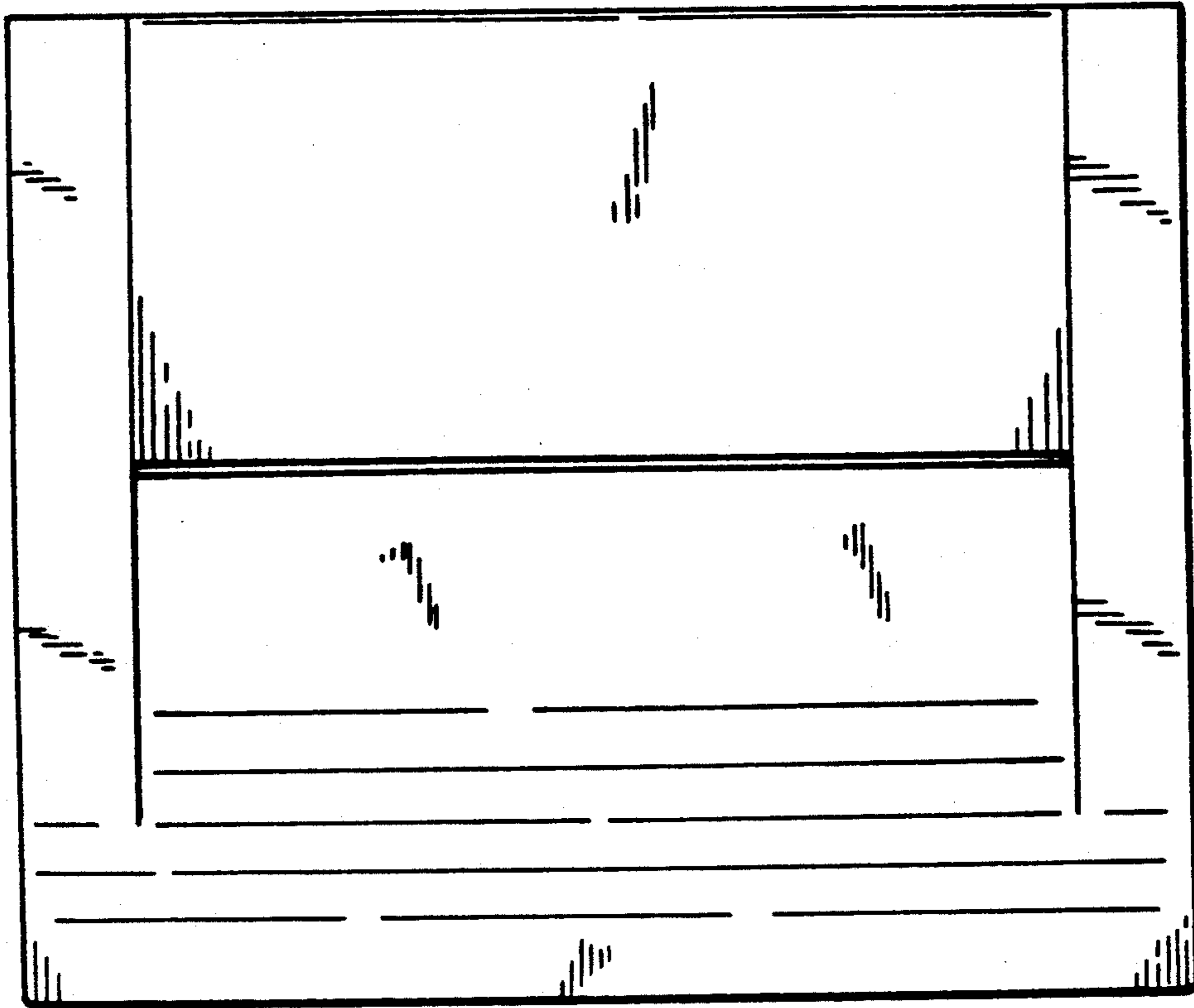


FIG. 5.

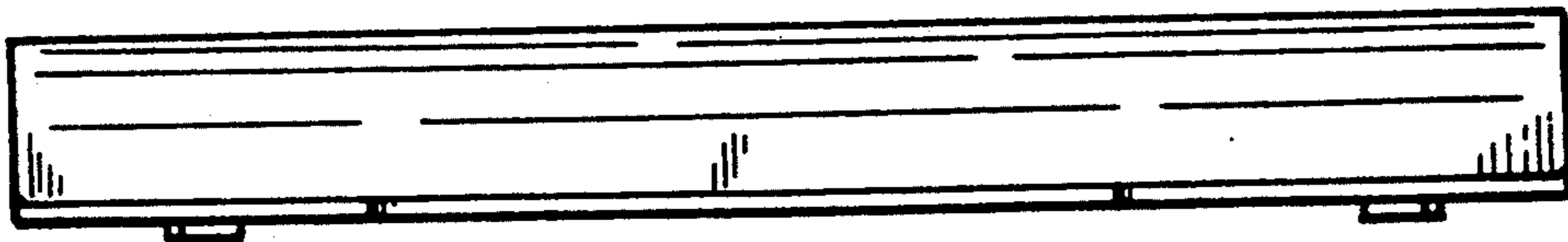


FIG. 6.

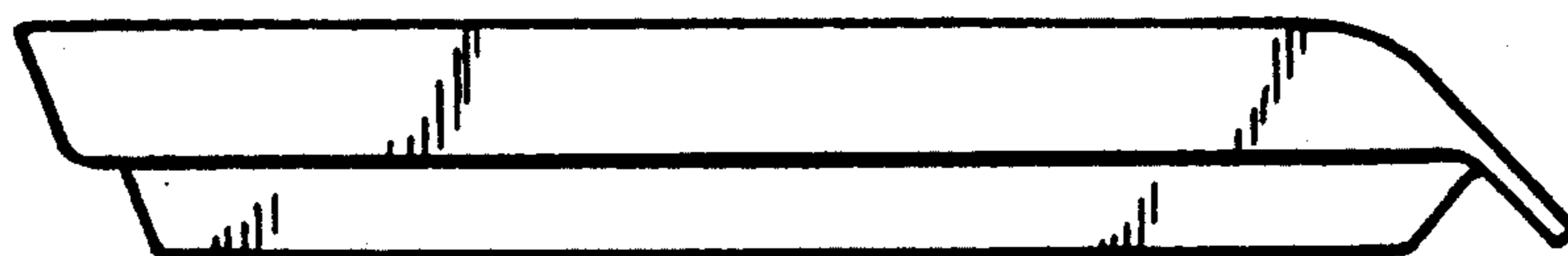


FIG. 7.

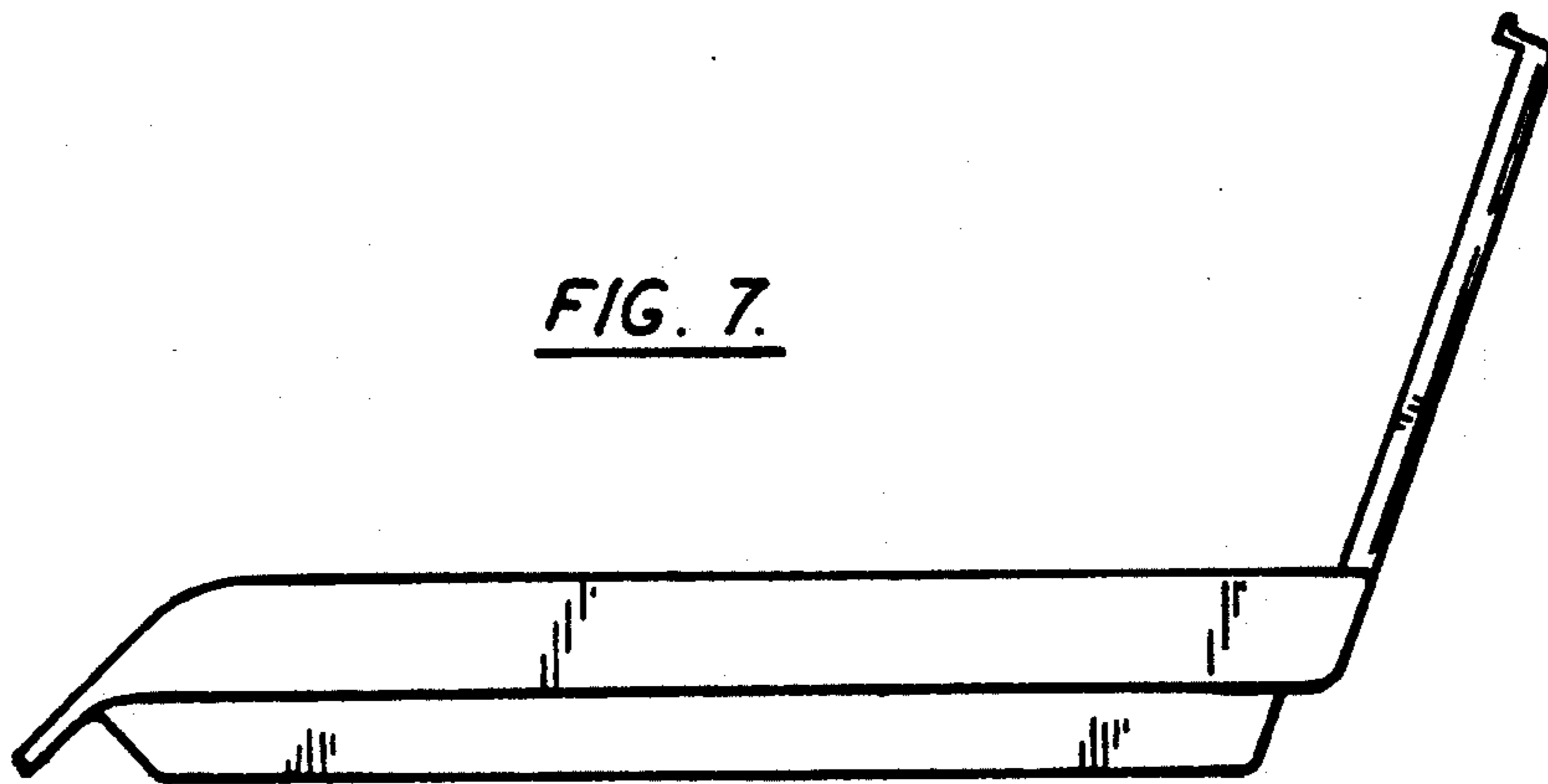


FIG. 8.

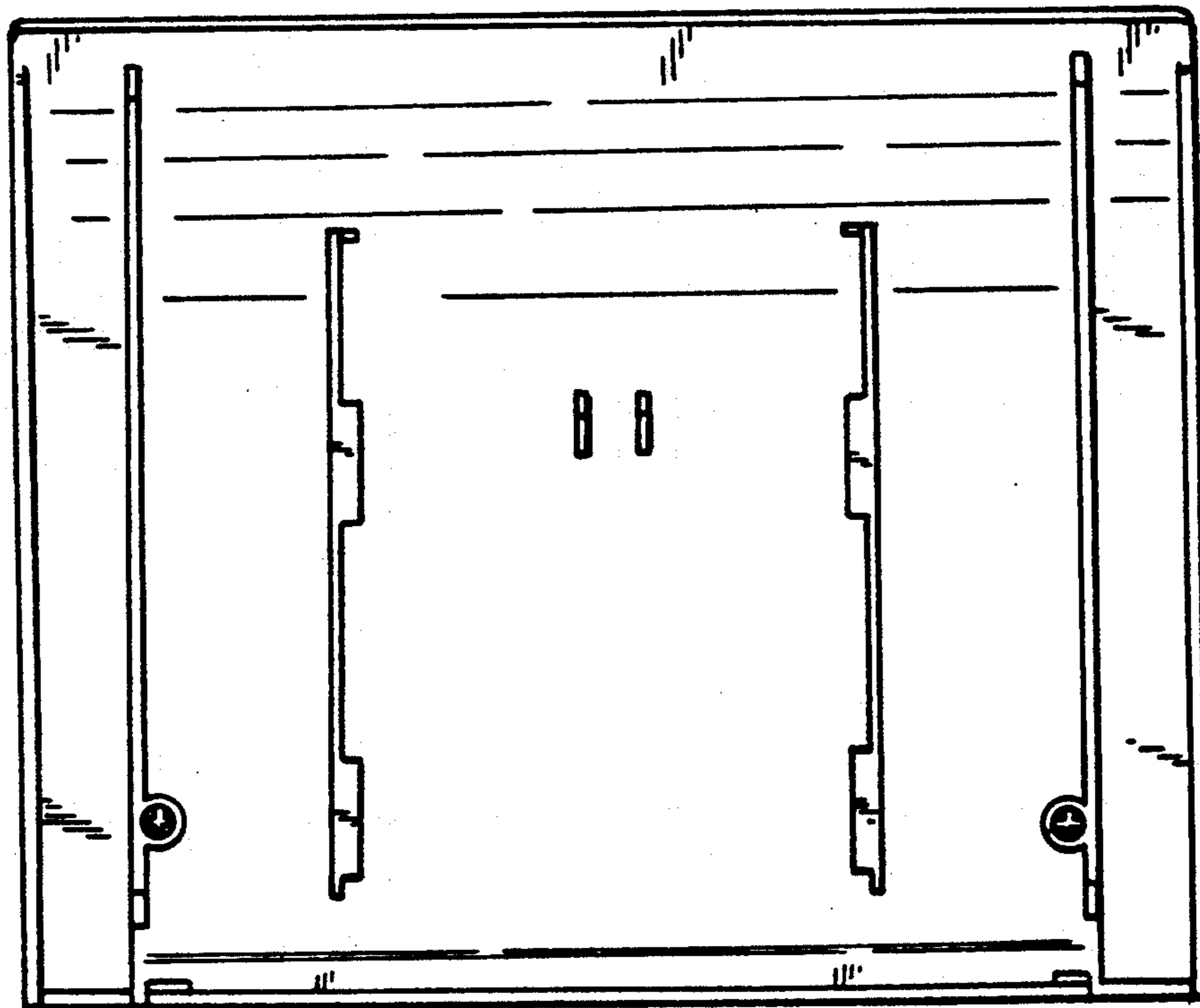
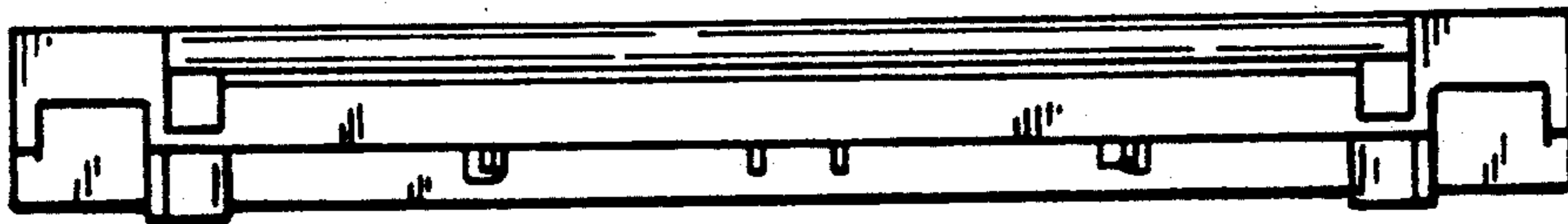


FIG. 9.