



US00D335894S

United States Patent [19]

[11] Patent Number: Des. 335,894

Nishikaze et al.

[45] Date of Patent: ** May 25, 1993

[54] DESIGN FOR PRINTER FOR ELECTRONIC COMPUTER

[75] Inventors: Hayato Nishikaze; Noritaka Uchibori, both of Nagano, Japan

[73] Assignee: Seiko Epson Corporation, Tokyo, Japan

[**] Term: 14 Years

[21] Appl. No.: 620,584

[22] Filed: Nov. 27, 1990

[30] Foreign Application Priority Data

May 28, 1990 [JP] Japan 2-17782

[52] U.S. Cl. D18/55

[58] Field of Search D18/50, 54-55, D18/36, 37; 400/691-694, 613.1-613.4, 613, 624; 364/145

[56] References Cited

U.S. PATENT DOCUMENTS

- D. 228,030 7/1973 Howard D18/54
- D. 279,985 8/1985 Thorn D18/54
- D. 280,211 8/1985 Overman et al. D18/55

- D. 293,578 1/1988 Matsumoto et al. D18/55
- D. 301,485 6/1989 Kato et al. D18/55
- D. 318,684 7/1991 Irie et al. D18/55
- D. 321,709 11/1991 Uchibori et al. D18/54
- D. 322,624 12/1991 Sato et al. D18/55
- D. 323,183 1/1992 Irie et al. D18/55
- D. 323,850 2/1992 Matsuo et al. D18/54
- D. 324,540 3/1992 Tanizawa et al. D18/54

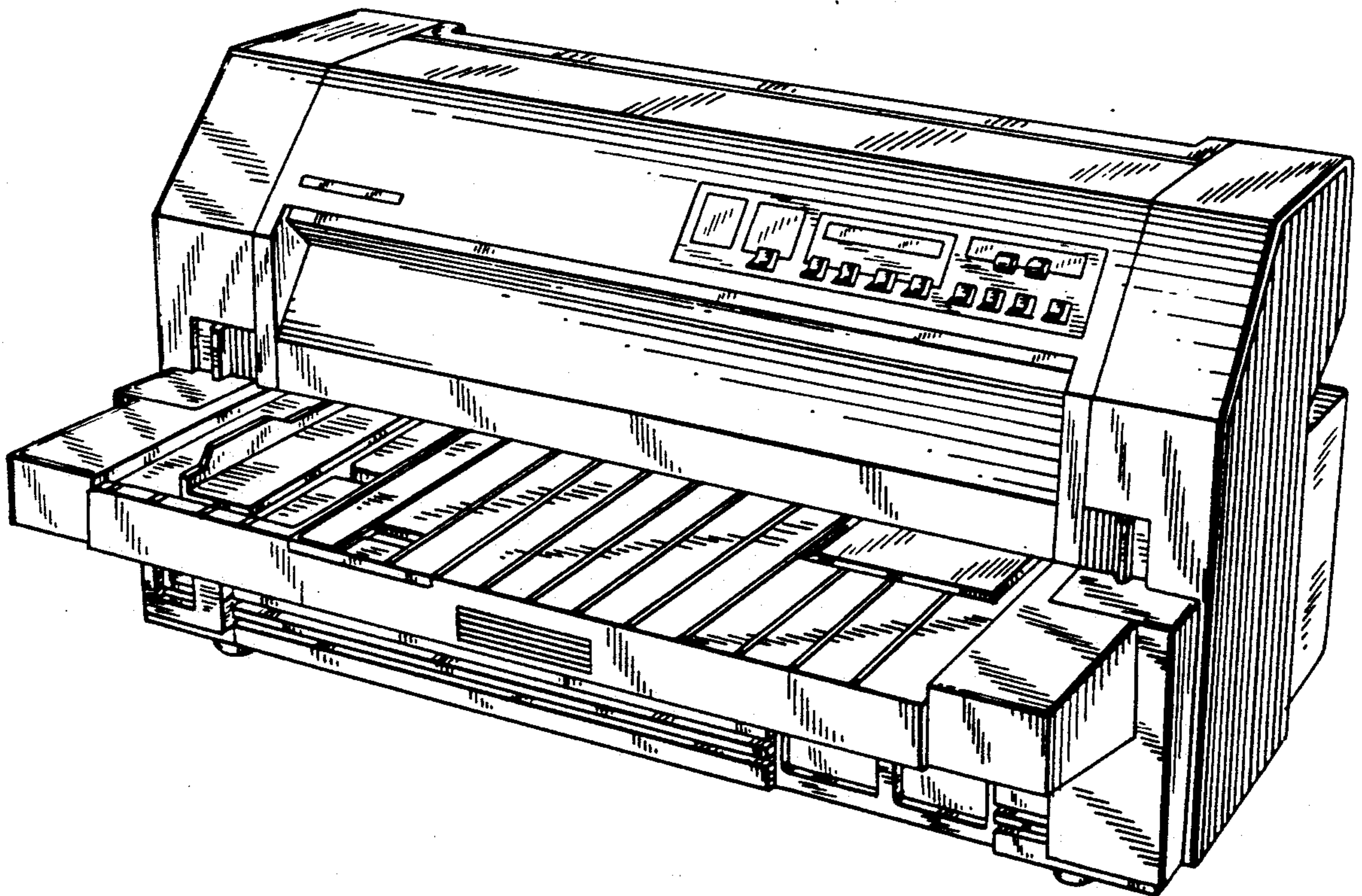
Primary Examiner—A. Hugo Word
Assistant Examiner—CathyAnne MacCormac
Attorney, Agent, or Firm—Blum Kaplan

[57] CLAIM

The ornamental design for a printer for electronic computer, as shown and described.

DESCRIPTION

FIG. 1 is a perspective view of the printer for electronic computer showing our new design; FIG. 2 is a top plan view thereof; FIG. 3 is a front elevational view thereof; FIG. 4 is a left side elevational view thereof; FIG. 5 is a rear elevational view thereof; FIG. 6 is a right side elevational view thereof; and, FIG. 7 is a bottom plan view thereof.



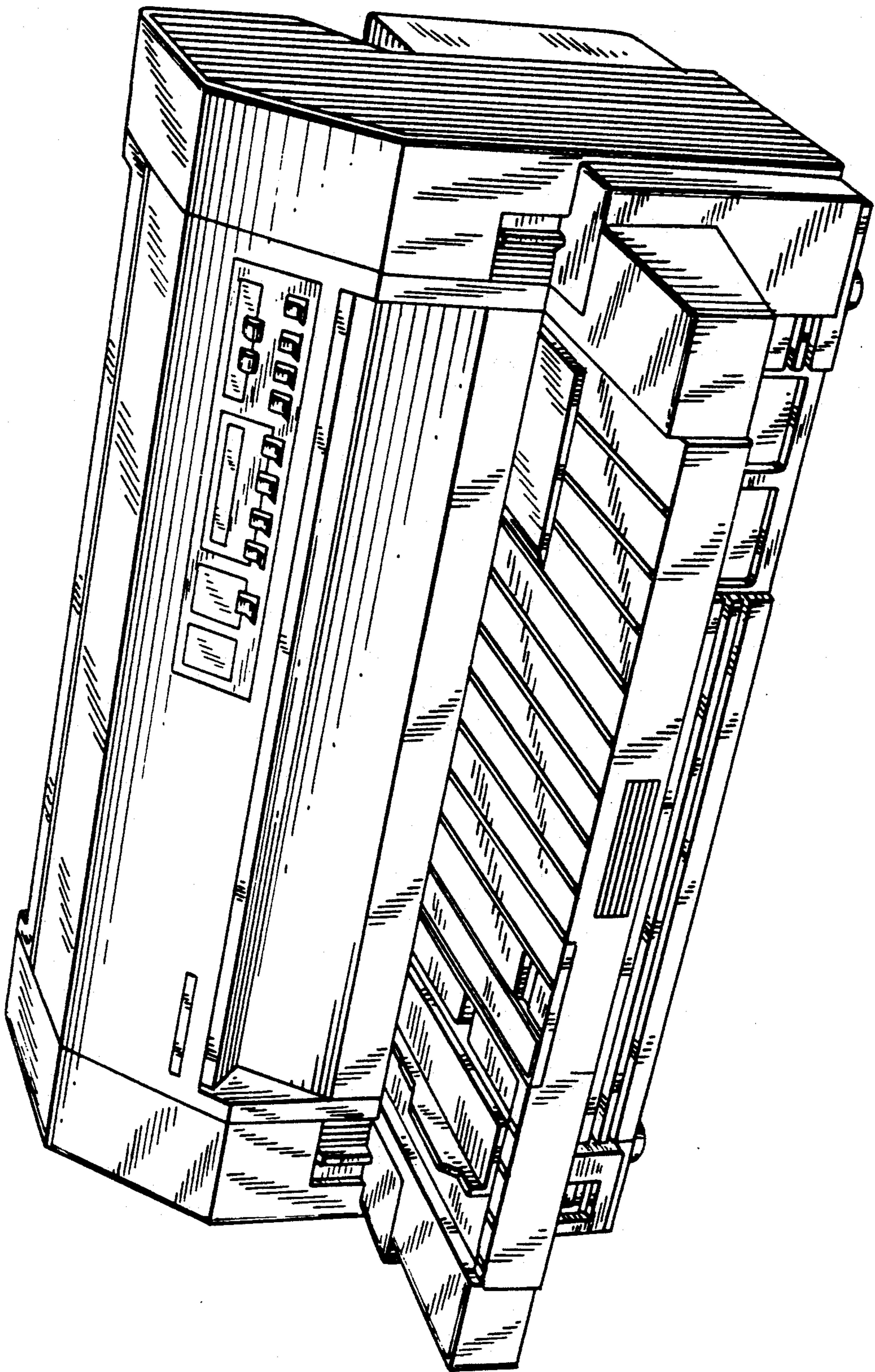


FIG. 1

FIG. 2

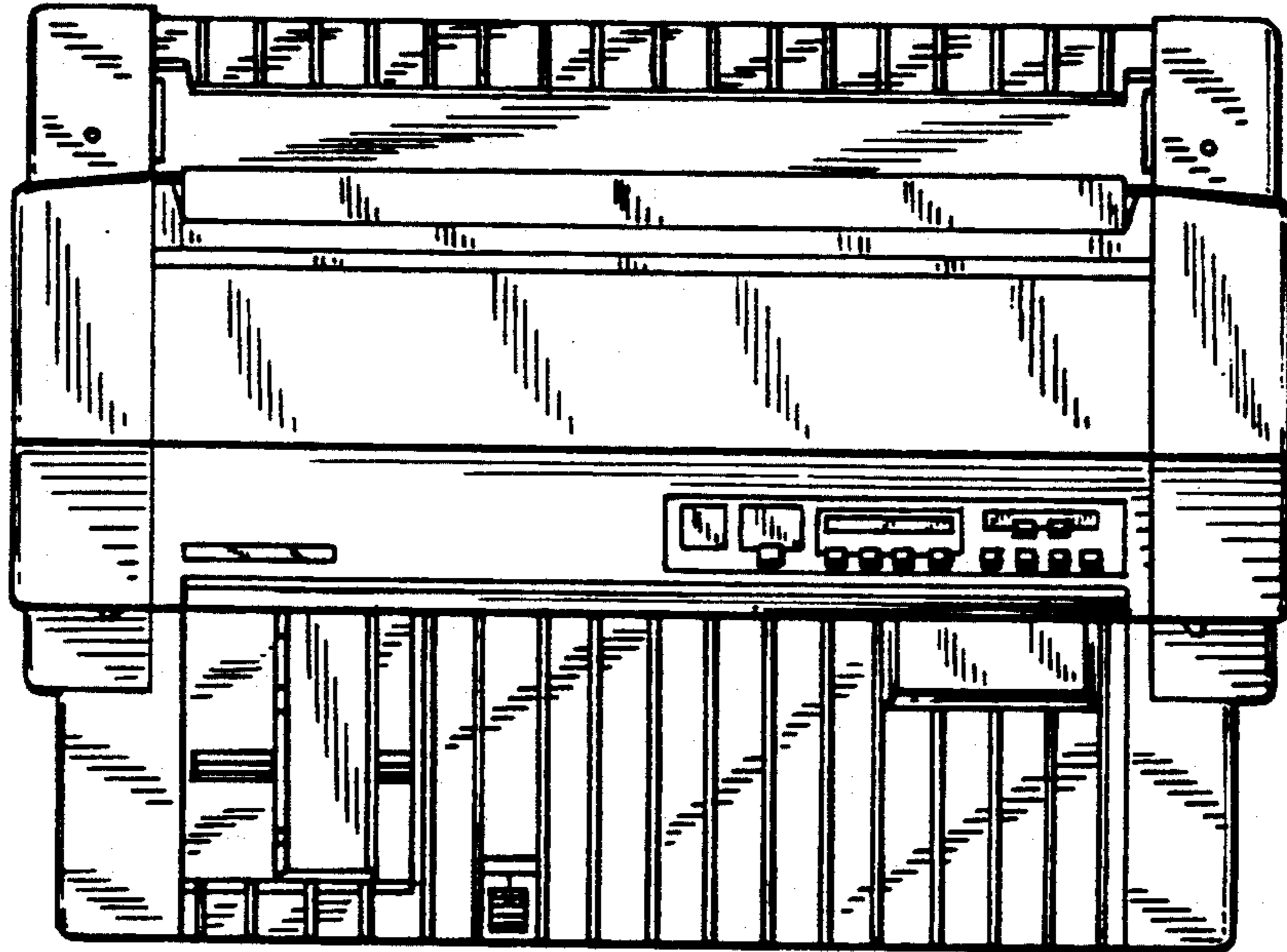


FIG. 3

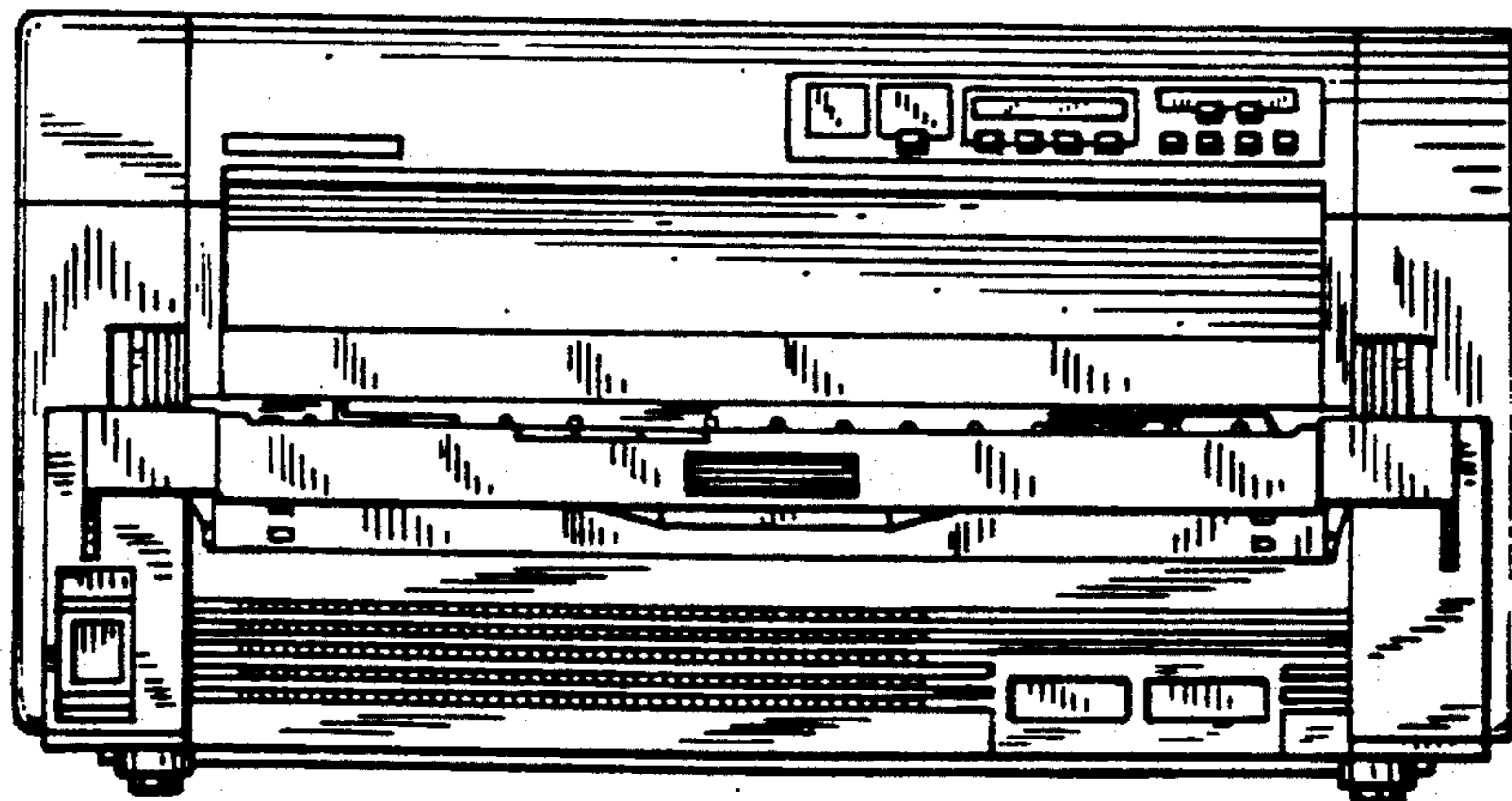


FIG. 4

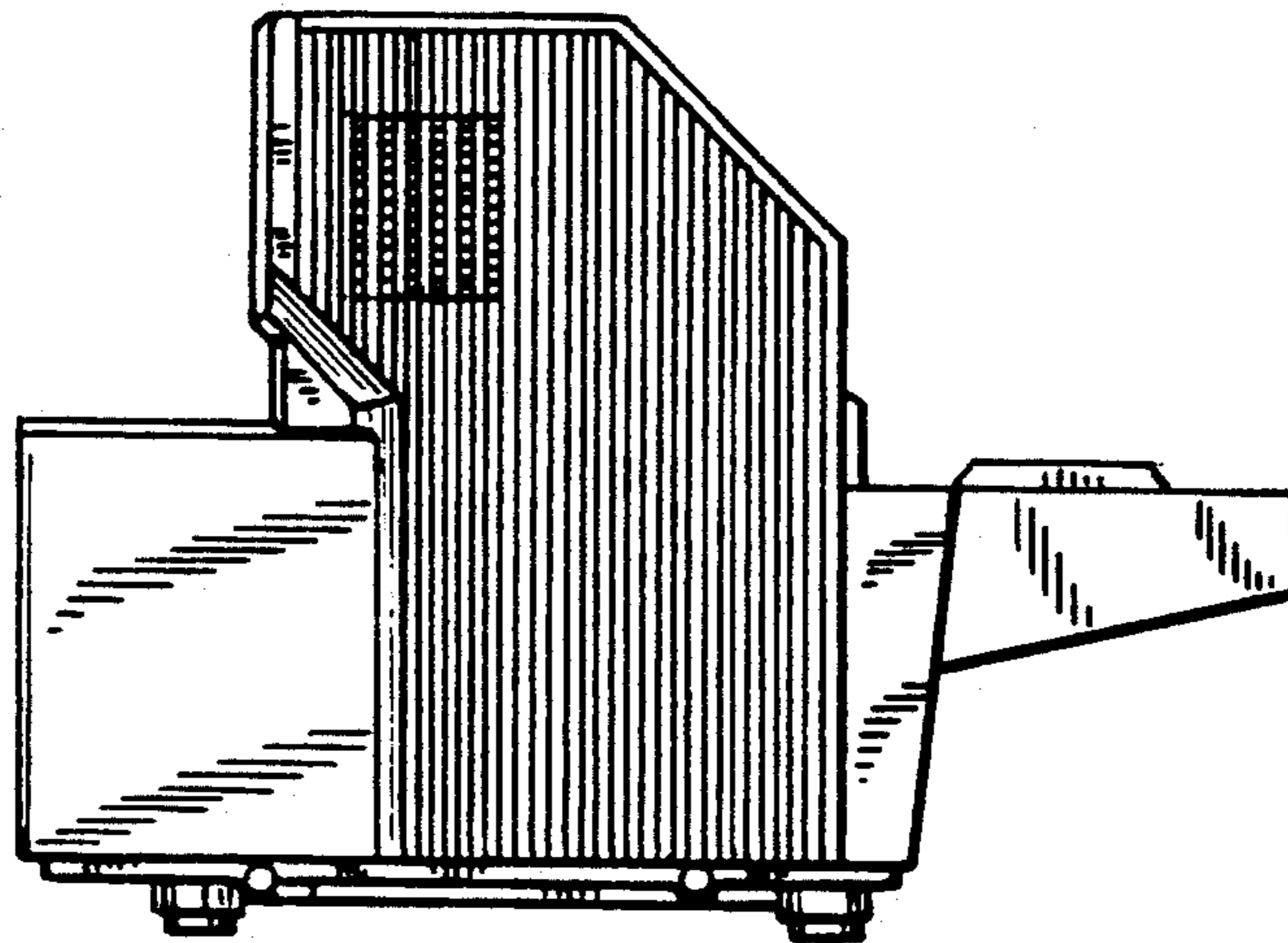


FIG. 5

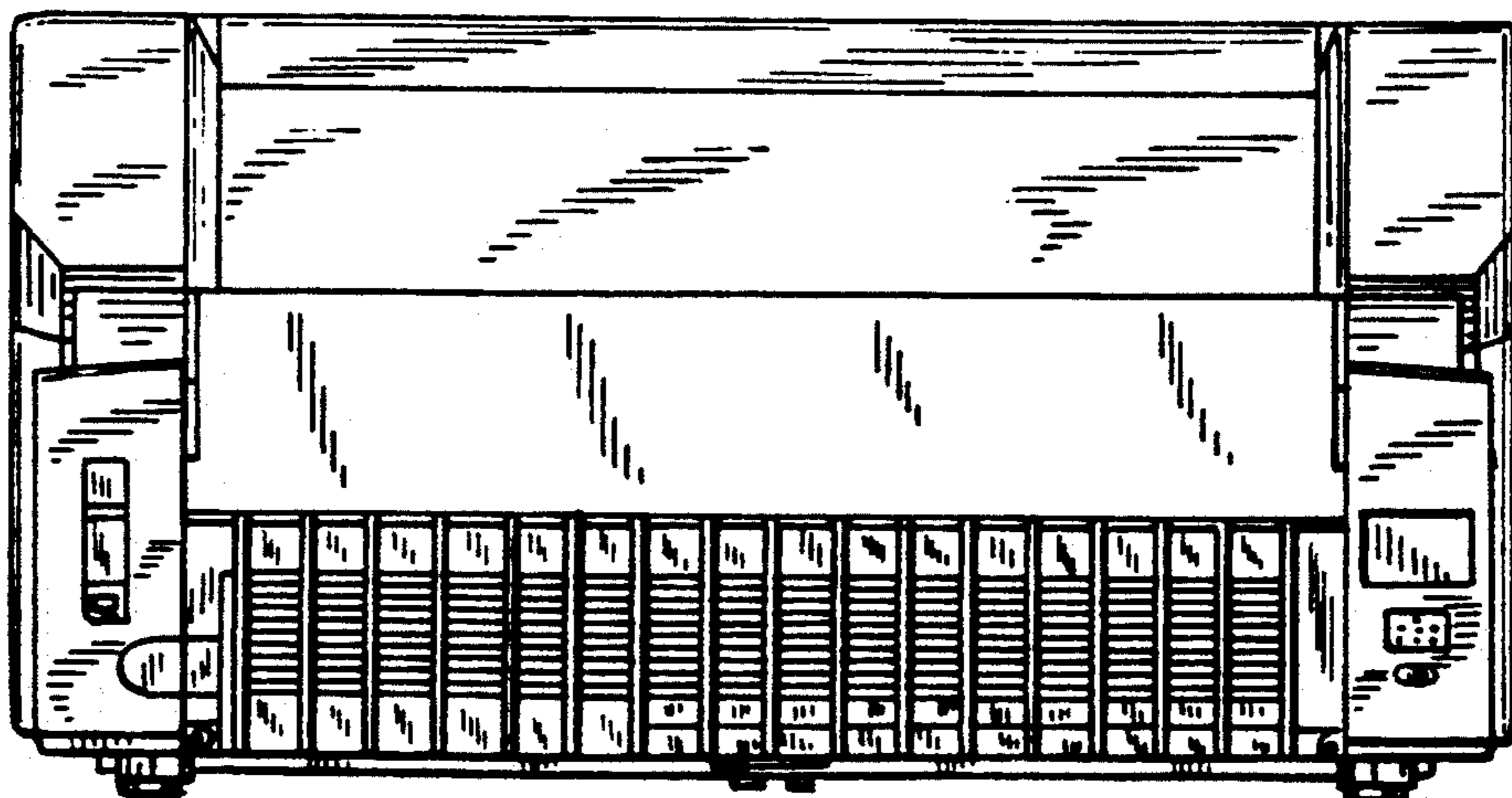


FIG. 6

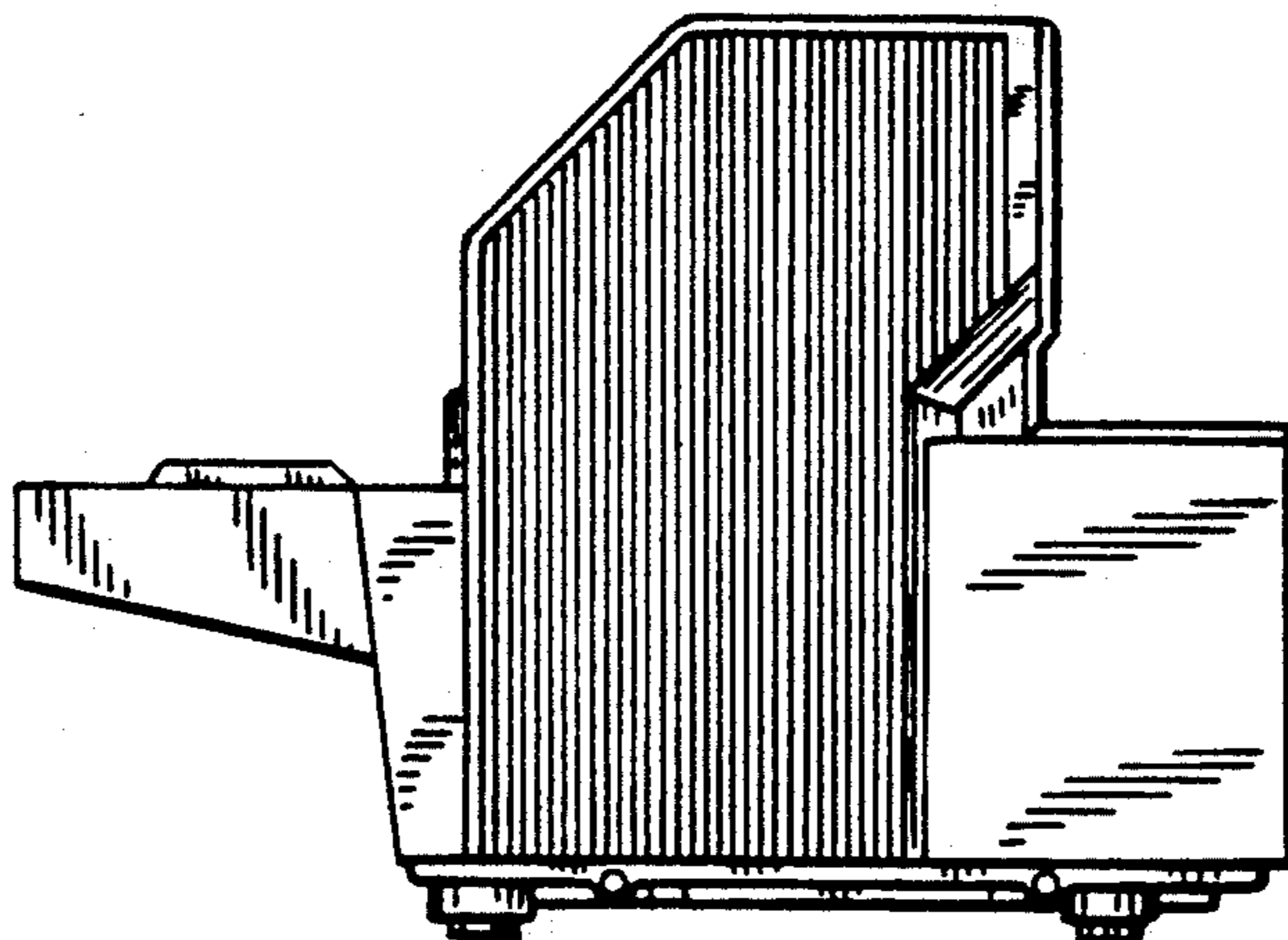


FIG. 7

