



US00D335886S

United States Patent [19]

[11] Patent Number: **Des. 335,886**

Currie

[45] Date of Patent: **** May 25, 1993**

[54] **TELESCOPING GRASPING ARM**

4,615,555 10/1986 Batcham .
4,636,137 1/1987 Lemelson D15/199 X
4,766,775 8/1988 Hodge D15/199 X

[76] Inventor: **Kristin T. Currie, 18166 S. Holly La., Oregon City, Oreg. 97045**

[**] Term: **14 Years**

*Primary Examiner—Alan P. Douglas
Assistant Examiner—Antoine D. Davis
Attorney, Agent, or Firm—Terry M. Gernstein*

[21] Appl. No.: **659,158**

[22] Filed: **Feb. 22, 1991**

[52] U.S. Cl. **D15/199**

[58] Field of Search **D15/199; 212/230;
294/19.1, 104; 414/718, 728, 737, 752, 753, 4;
901/25, 31**

[57] **CLAIM**

The ornamental design for a telescoping grasping arm, as shown and described.

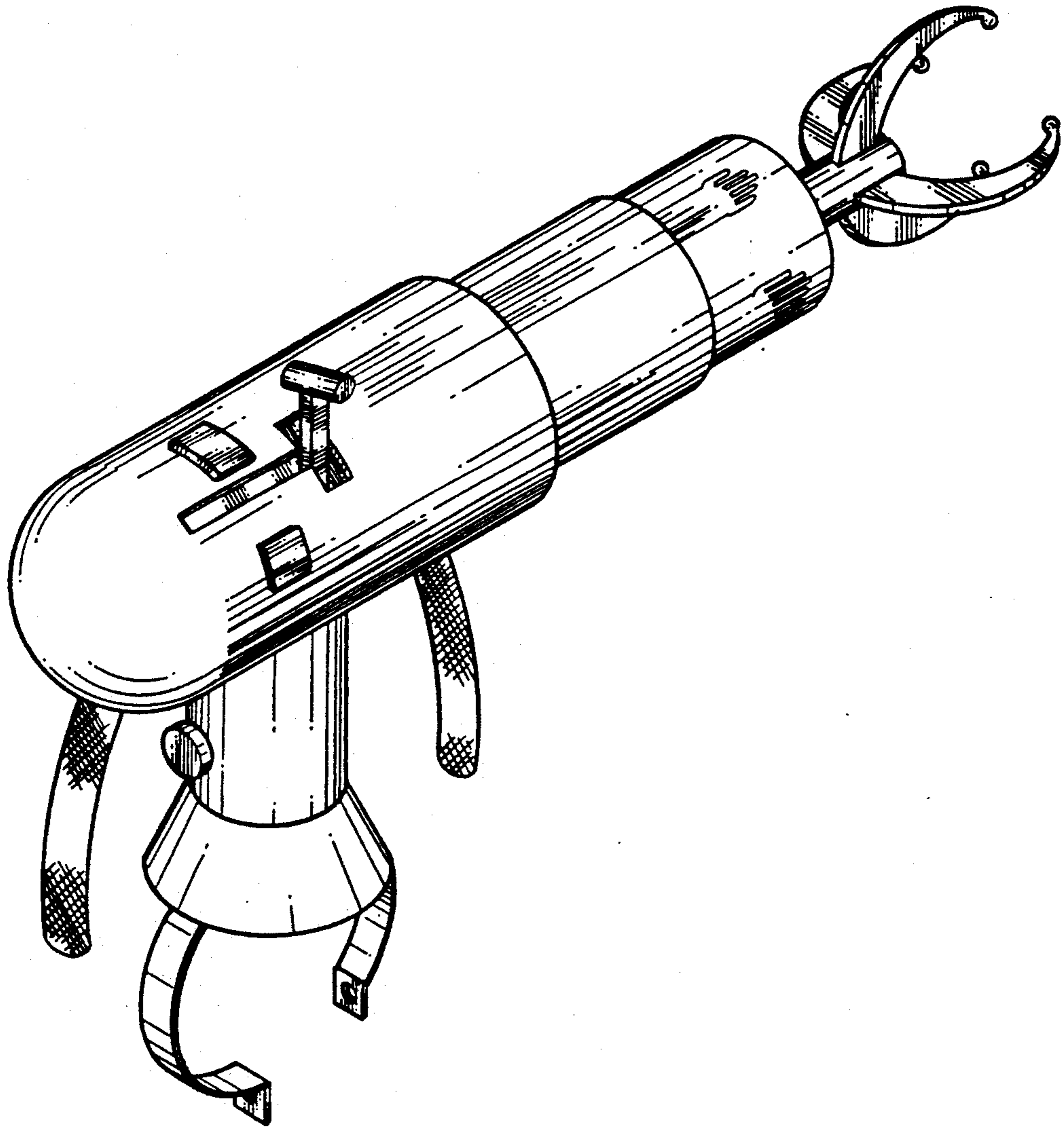
DESCRIPTION

FIG. 1 is a perspective view of the telescoping grasping arm embodying the design of the present invention; FIG. 2 is a front elevational view thereof; FIG. 3 is a rear elevational view thereof; FIG. 4 is a side elevational view thereof; FIG. 5 is a side elevational view thereof; FIG. 6 is a top plan view thereof; and, FIG. 7 is a bottom view thereof.

[56] **References Cited**

U.S. PATENT DOCUMENTS

D. 274,182 6/1984 Kato D15/199
4,505,049 3/1985 Kuno et al. D15/199 X
4,547,121 10/1985 Nesmith .
4,604,026 8/1986 Barrett .



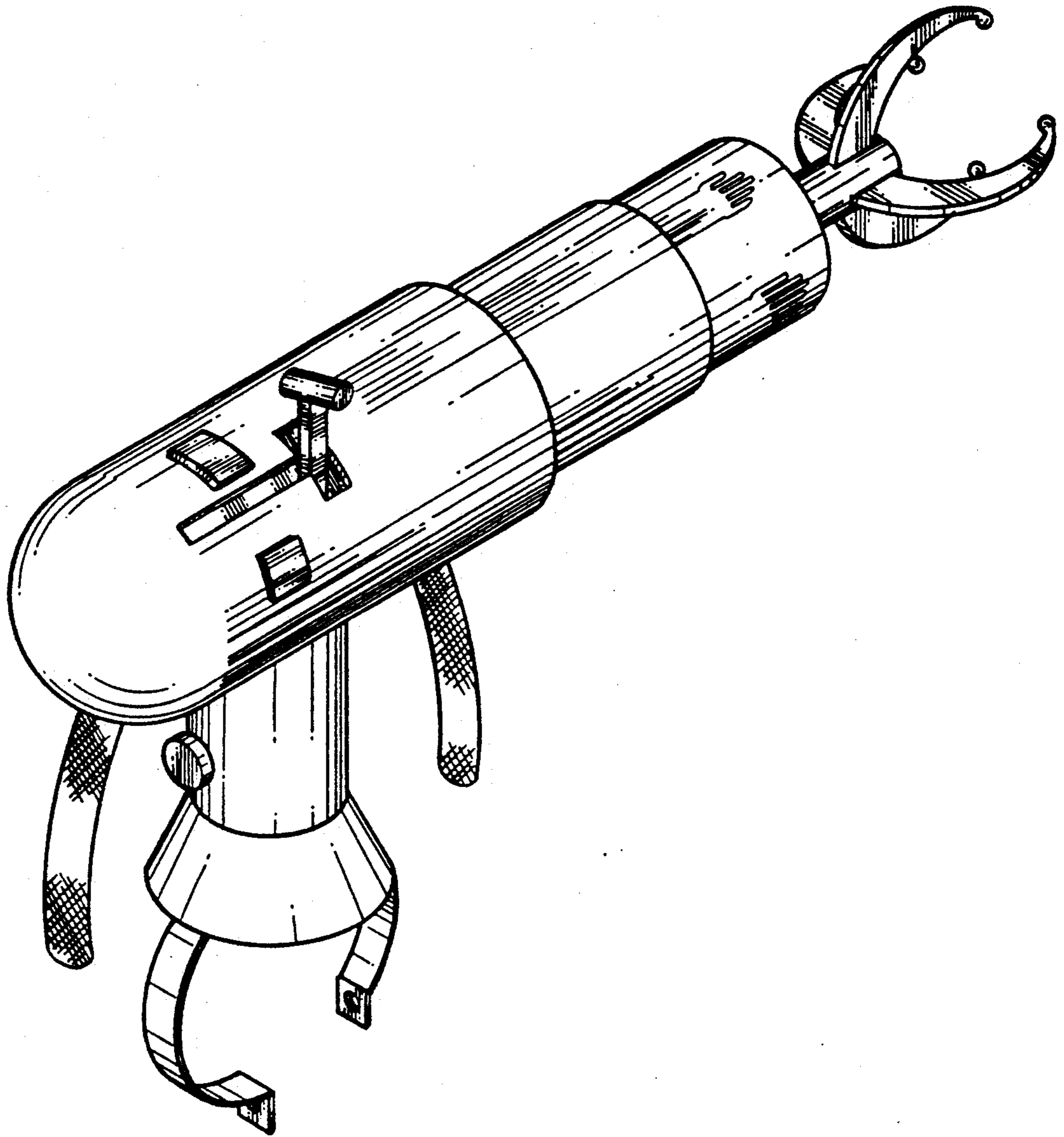


FIG. 1

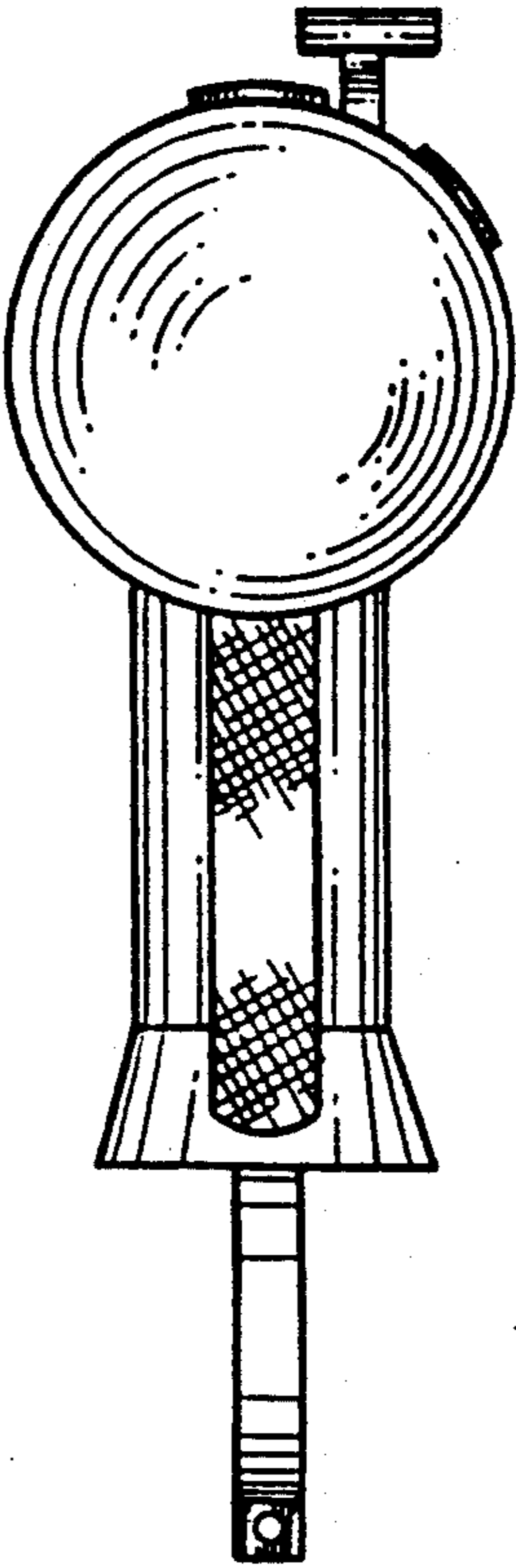


FIG. 2

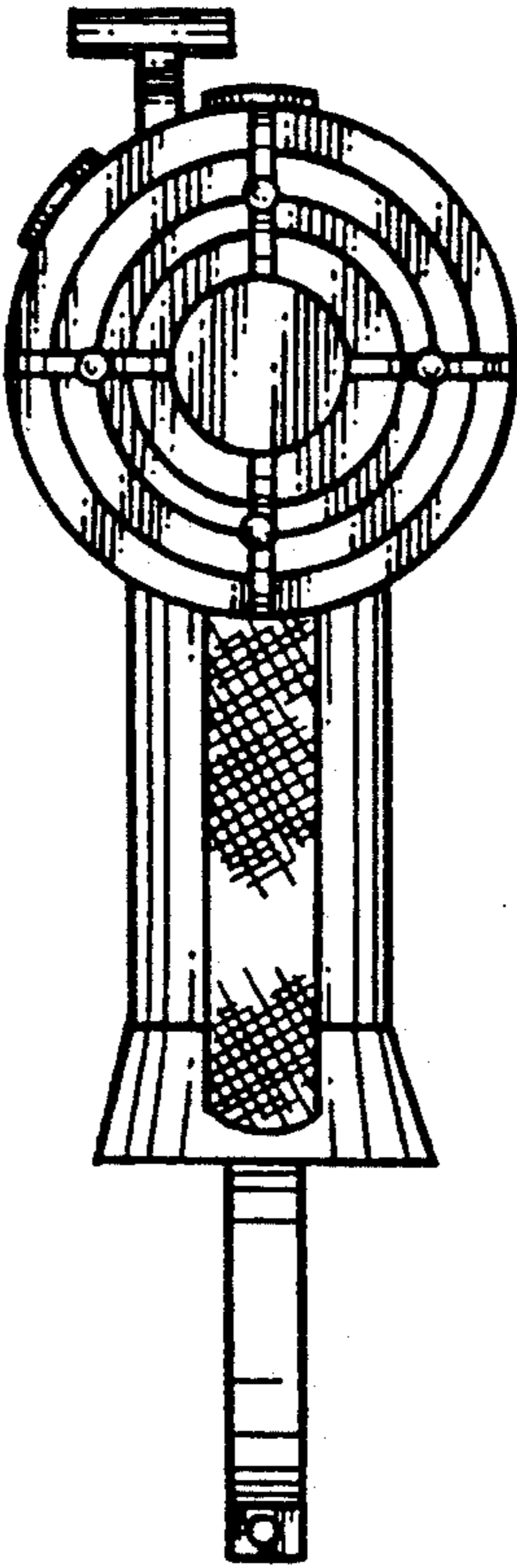


FIG. 3

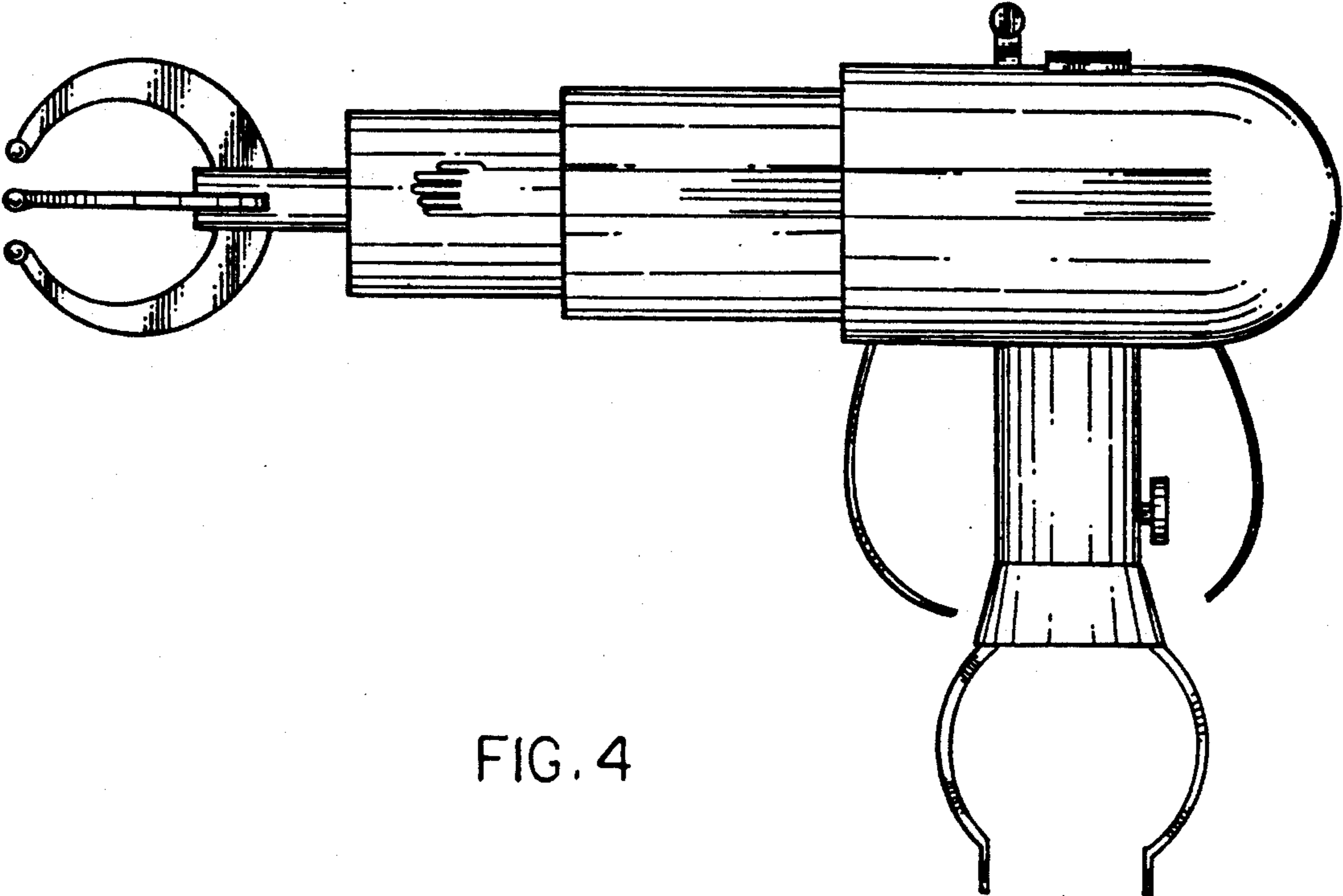


FIG. 4

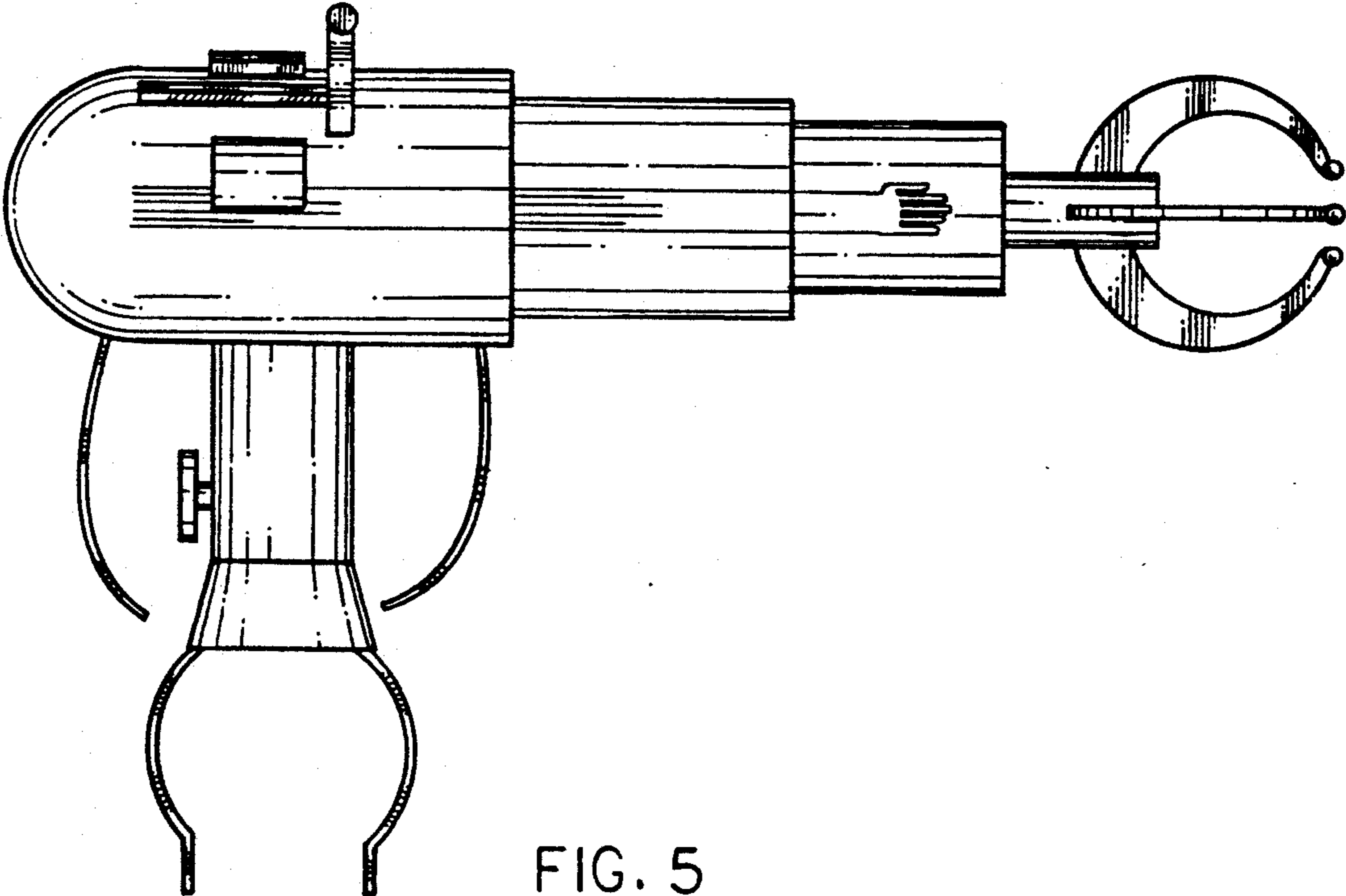


FIG. 5

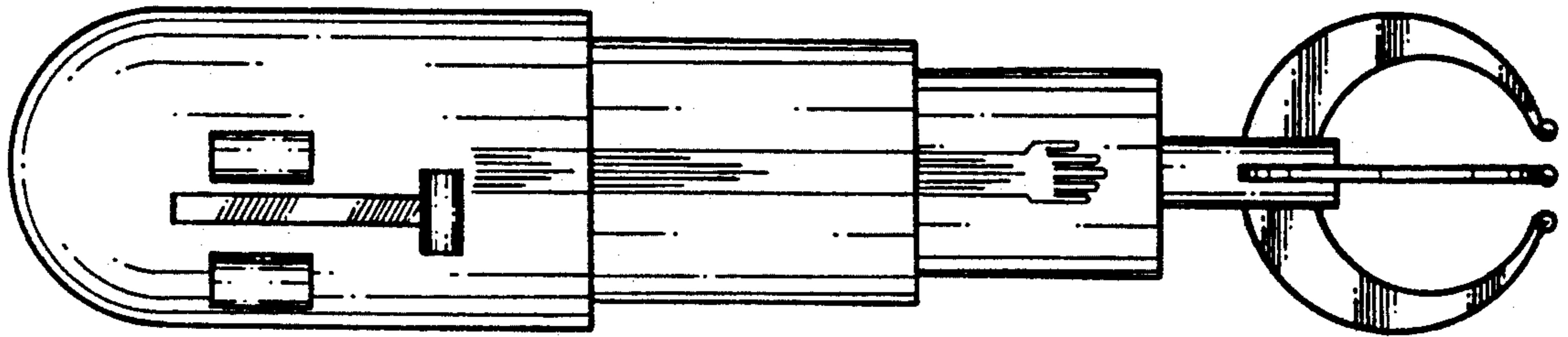


FIG. 6

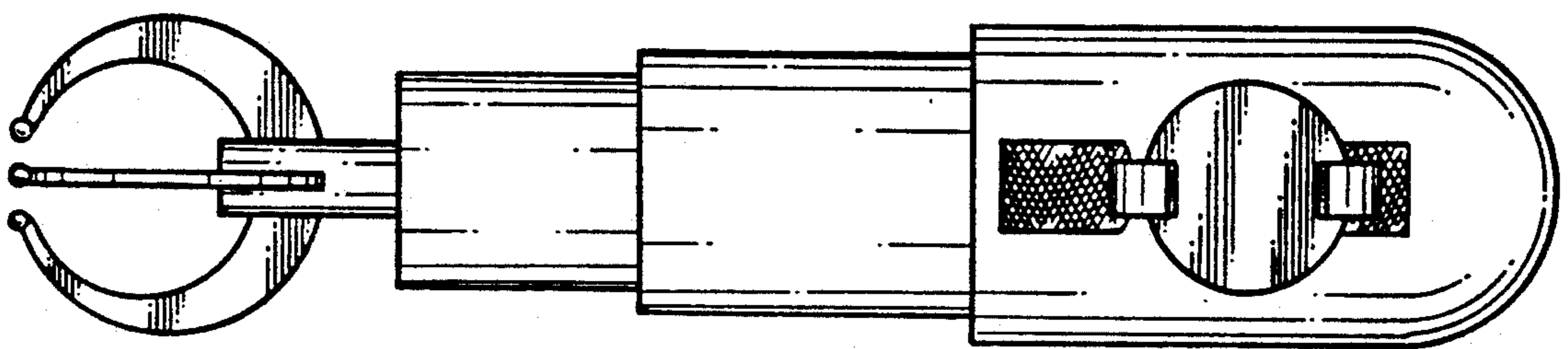


FIG. 7