



US00D335884S

# United States Patent [19]

[11] Patent Number: **Des. 335,884**

Seals

[45] Date of Patent: **\*\* May 25, 1993**

[54] **MINI-FENCE JOINT AND INLAY DEVICE**

5,016,508 5/1991 Hallenbeck ..... 83/435.1  
5,113,734 5/1992 Mahler ..... 83/435.1

[76] Inventor: **Kyrle W. Seals**, P.O. Box 351, 1316  
Del Ray Dr., Eckert, Colo. 81418

*Primary Examiner*—Alan P. Douglas  
*Assistant Examiner*—Antoine D. Davis  
*Attorney, Agent, or Firm*—Donald W. Erickson

[\*\*] Term: **14 Years**

[21] Appl. No.: **757,487**

[57] **CLAIM**

[22] Filed: **Sep. 10, 1991**

The ornamental design for a mini-fence joint and inlay device, as shown and described.

[52] U.S. Cl. .... **D15/140**

[58] Field of Search ..... **D10/138-142;**  
83/431, 435.1

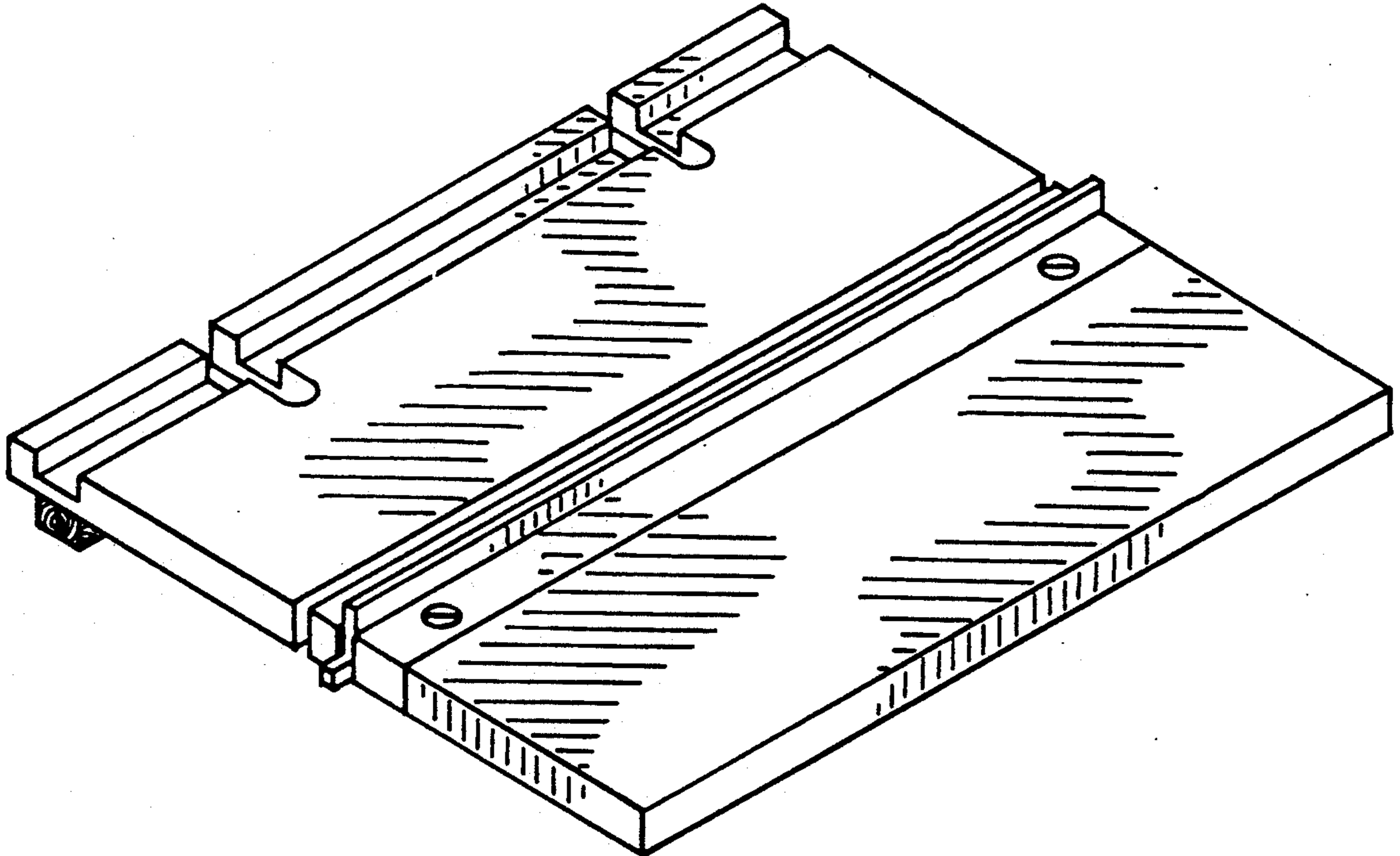
**DESCRIPTION**

[56] **References Cited**

**U.S. PATENT DOCUMENTS**

2,881,812 4/1959 Alumbaugh et al. .... 83/435.1  
4,155,283 5/1979 Mericle ..... 83/435.1 X  
4,164,882 8/1979 Mericle ..... 83/435.1 X

FIG. 1 is a perspective view of my mini-fence joint and inlay device, showing my new design;  
FIG. 2 is a top view thereof;  
FIG. 3 is a bottom view thereof; and,  
FIG. 4 is a front elevational view thereof, the rear elevational view being a mirror image thereto.



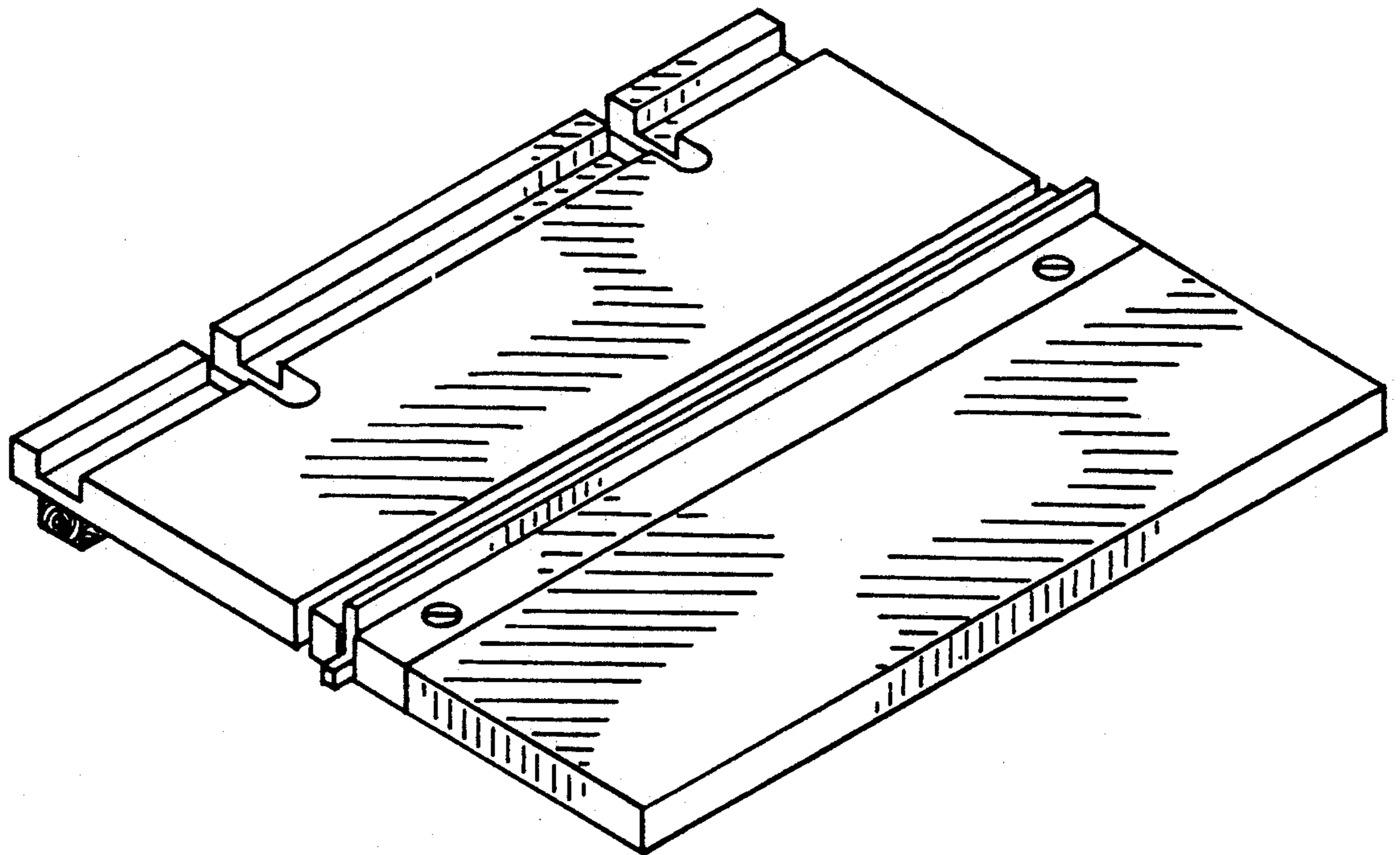


FIG. 1

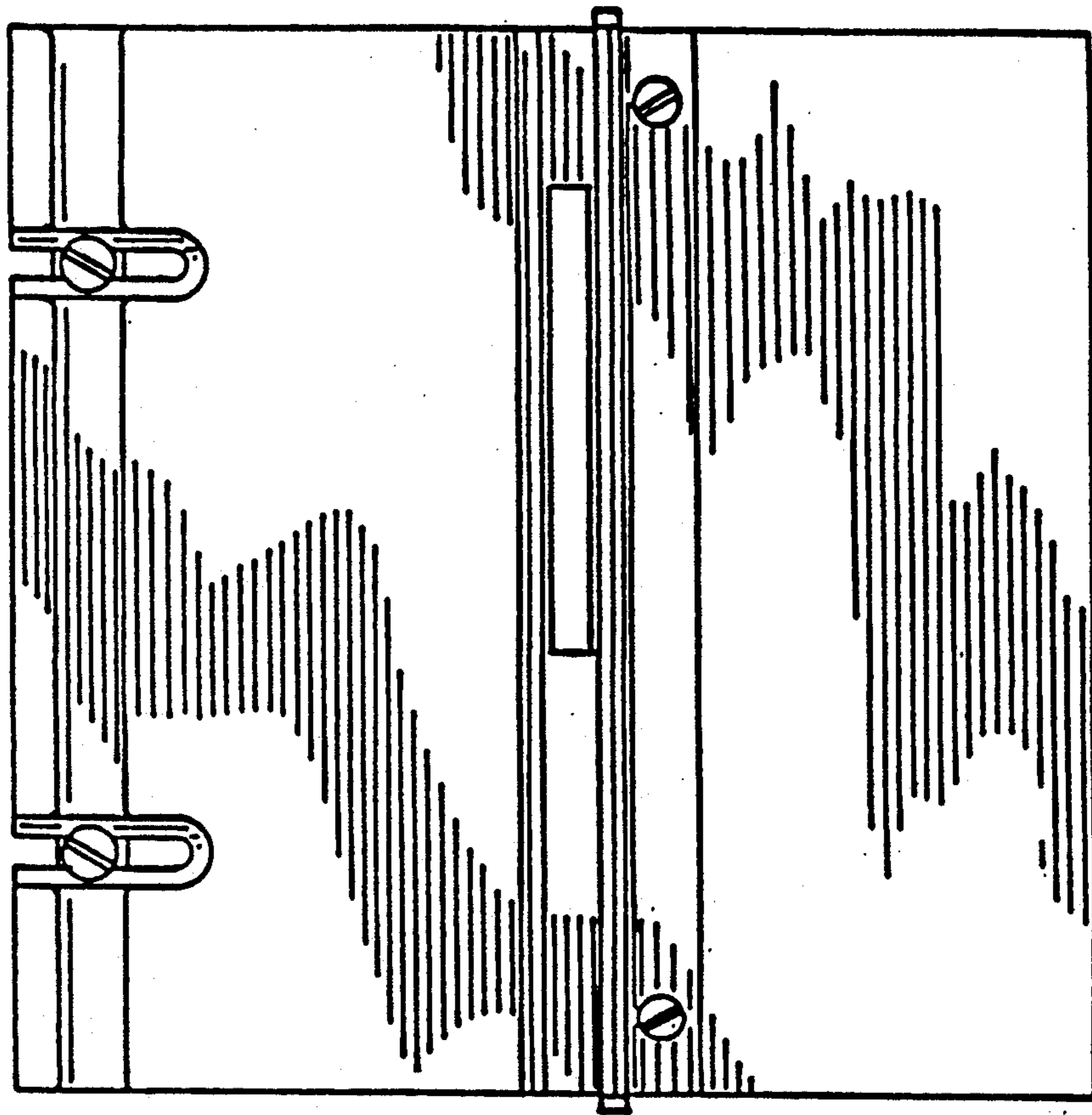


FIG. 2

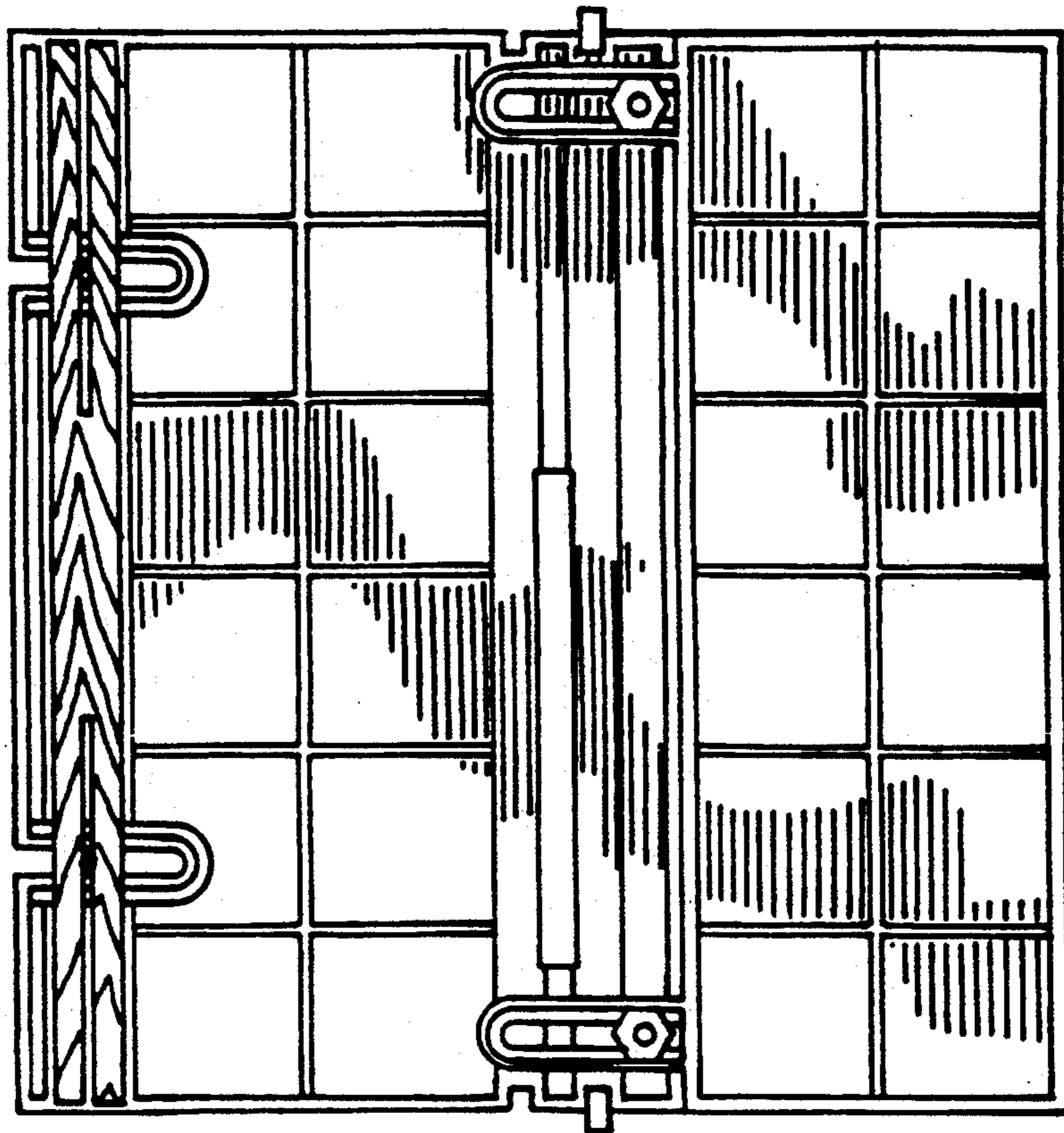


FIG. 3



FIG. 4