



US00D335879S

United States Patent [19]

[11] Patent Number: Des. 335,879

Gioscia et al.

[45] Date of Patent: ** May 25, 1993

[54] COMBINED TAPE RECORDER AND RADIO TUNER

[75] Inventors: Richard Gioscia; Atsushi Kawase, both of Tokyo, Japan

[73] Assignee: Sony Corporation, Tokyo, Japan

[**] Term: 14 Years

[21] Appl. No.: 765,101

[22] Filed: Sep. 25, 1991

[30] Foreign Application Priority Data

Apr. 12, 1991 [JP] Japan 3-10774

[52] U.S. Cl. D14/163

[58] Field of Search D14/160-168, D14/154, 188, 192, 194-196; 455/344, 350-351

[56] References Cited

U.S. PATENT DOCUMENTS

- D. 290,843 7/1987 Murphy D14/196 X
- D. 306,588 3/1990 Kashiwagi D14/163
- D. 311,006 10/1990 Hino et al. D14/165
- D. 311,537 10/1990 Tsuchiya et al. D14/163 X
- D. 316,093 4/1991 Okada et al. D14/163
- D. 320,790 10/1991 Kashiwagi D14/163

Primary Examiner—Theodore M. Shooman
Attorney, Agent, or Firm—Lewis H. Eslinger; Jay H. Maioli

[57] CLAIM

The ornamental design for a combined tape recorder and radio tuner, as shown and described.

DESCRIPTION

FIG. 1 is a top plan view of a combined tape recorder and radio tuner, showing our new design; FIG. 2 is a left-side elevational view thereof; FIG. 3 is a front elevational view thereof; FIG. 4 is a right-side elevational view thereof; FIG. 5 is a rear elevational view thereof; FIG. 6 is a bottom plan view thereof; FIG. 7 is a top, front and right-side perspective view thereof, shown in an open position; FIG. 8 is a top, front and right-side perspective view thereof; and, FIG. 9 is a top, front and right-side perspective view thereof, shown with the antenna in a raised position; the broken line showing of the microphone is for illustrative purposes only and forms no part of the claimed design.

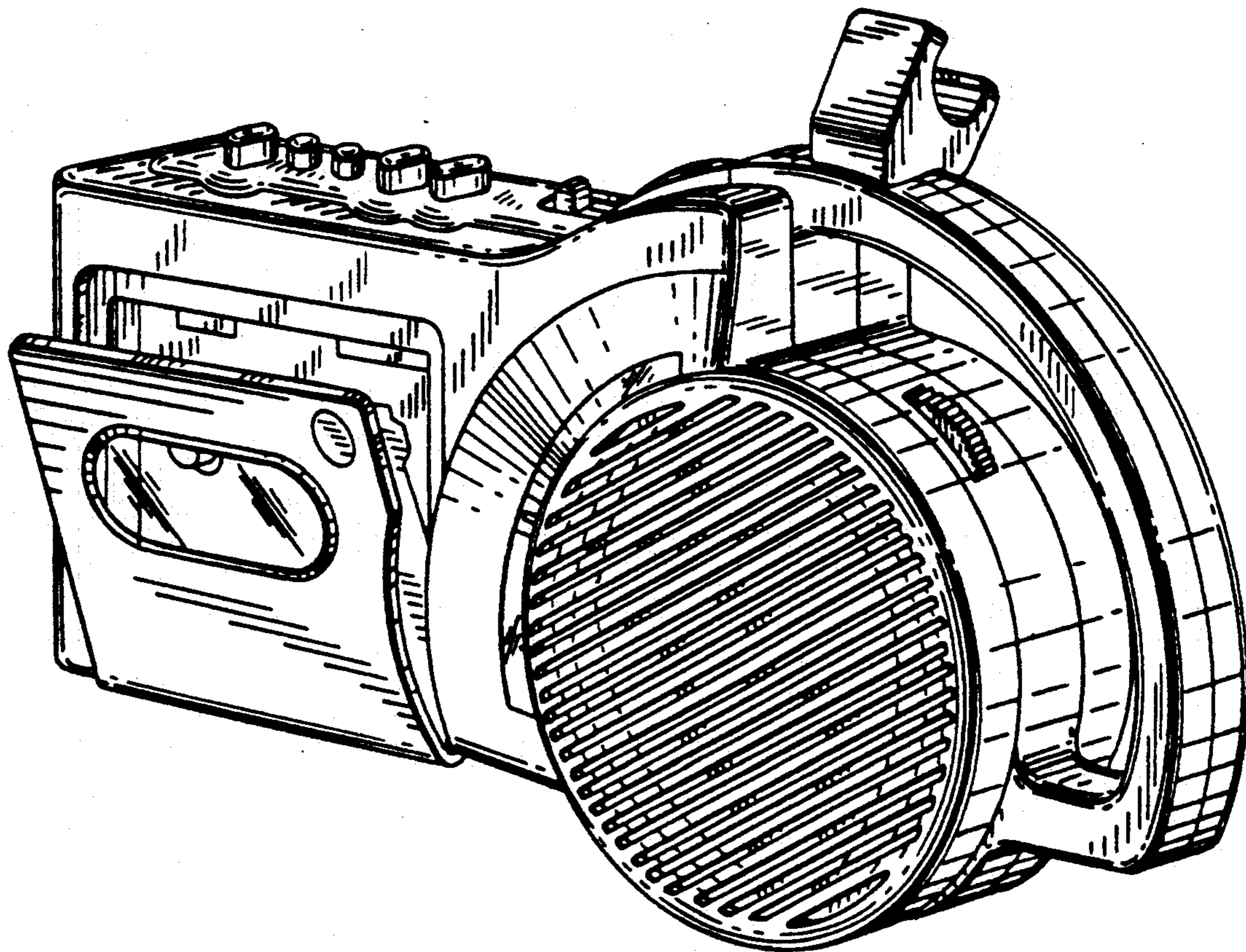


FIG. 1

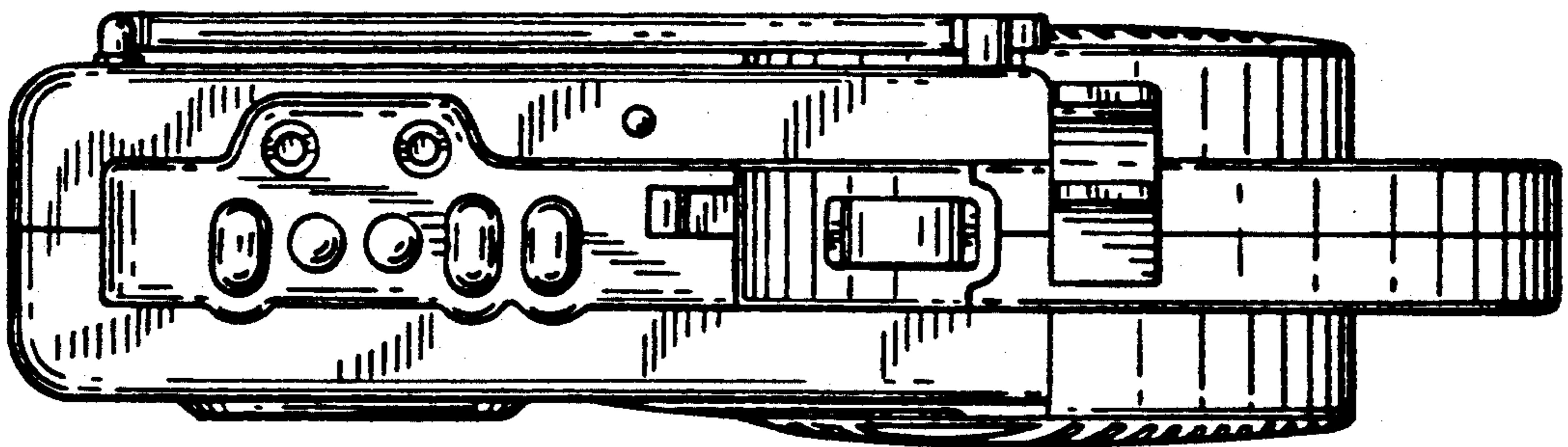


FIG. 3

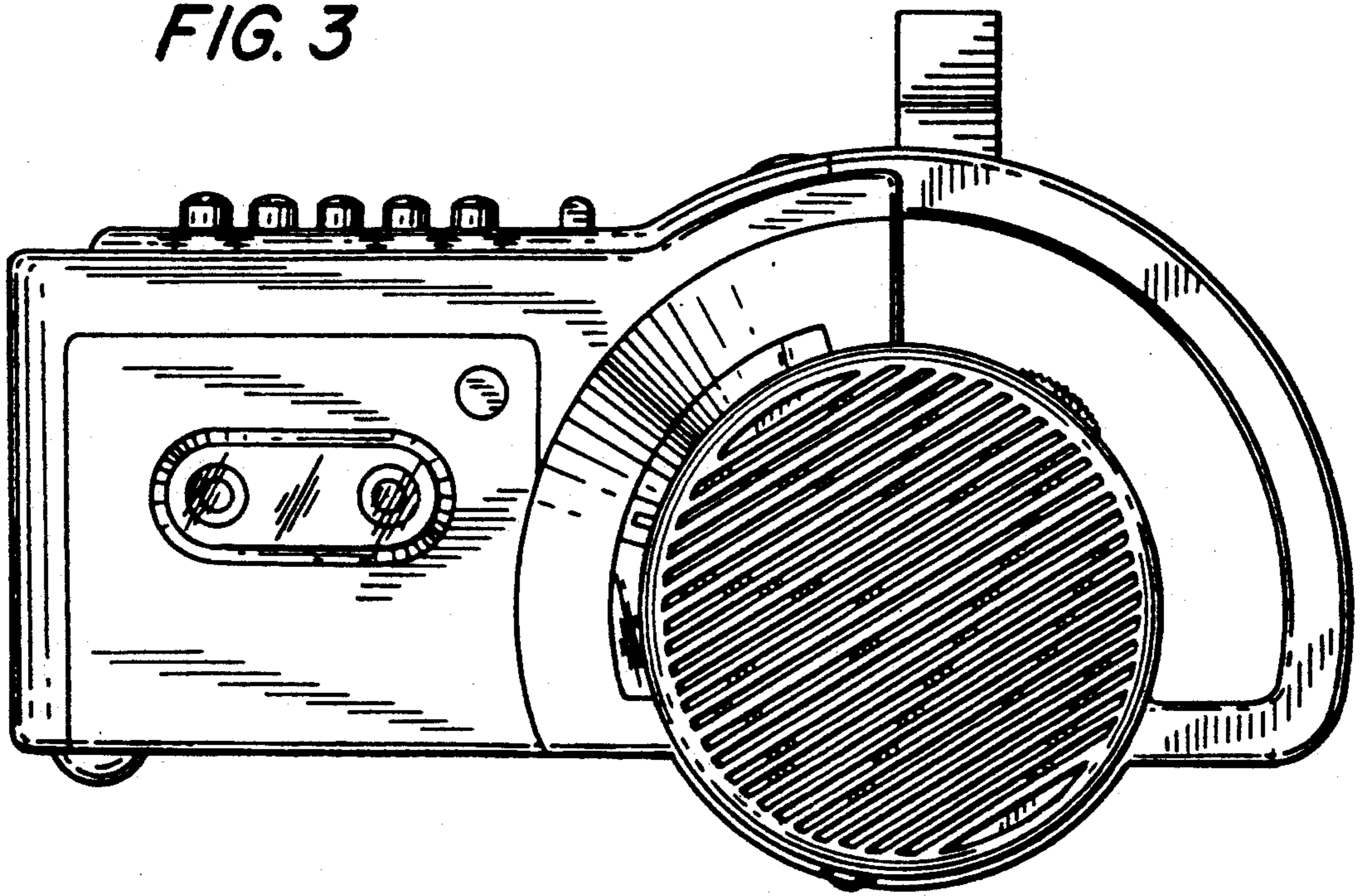


FIG. 2

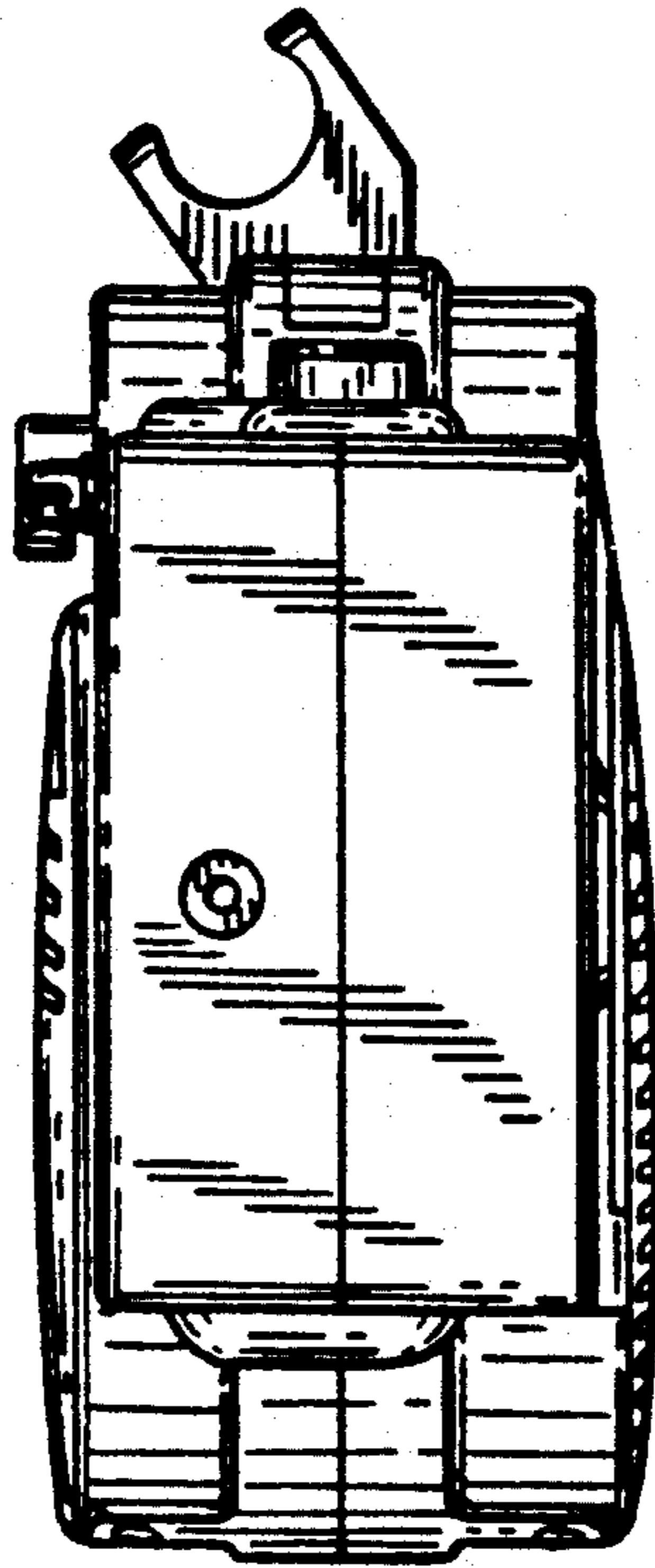


FIG. 6

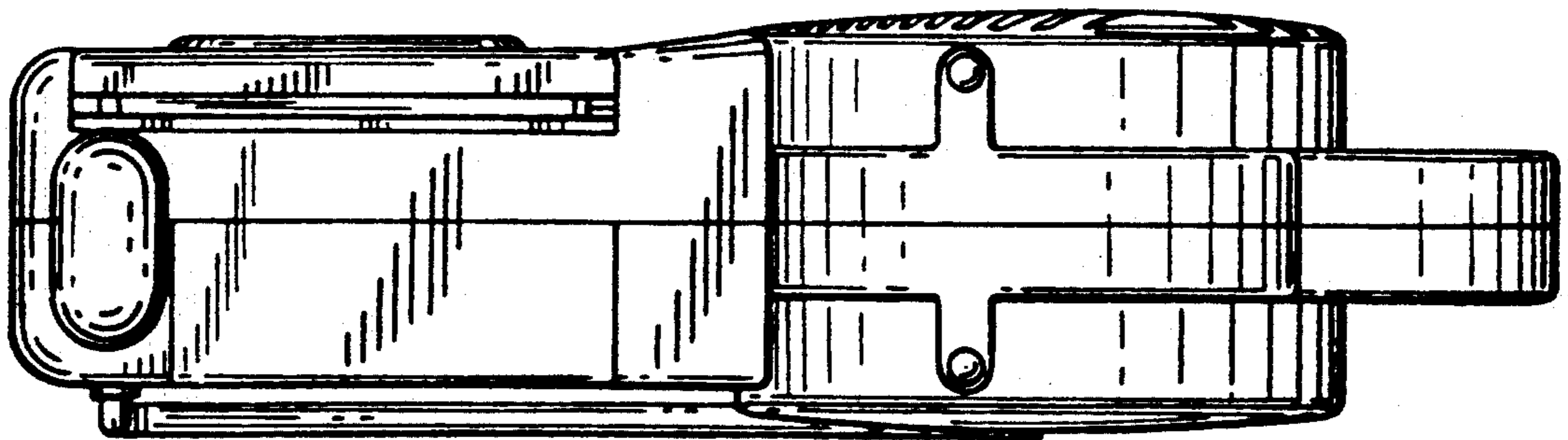


FIG. 5

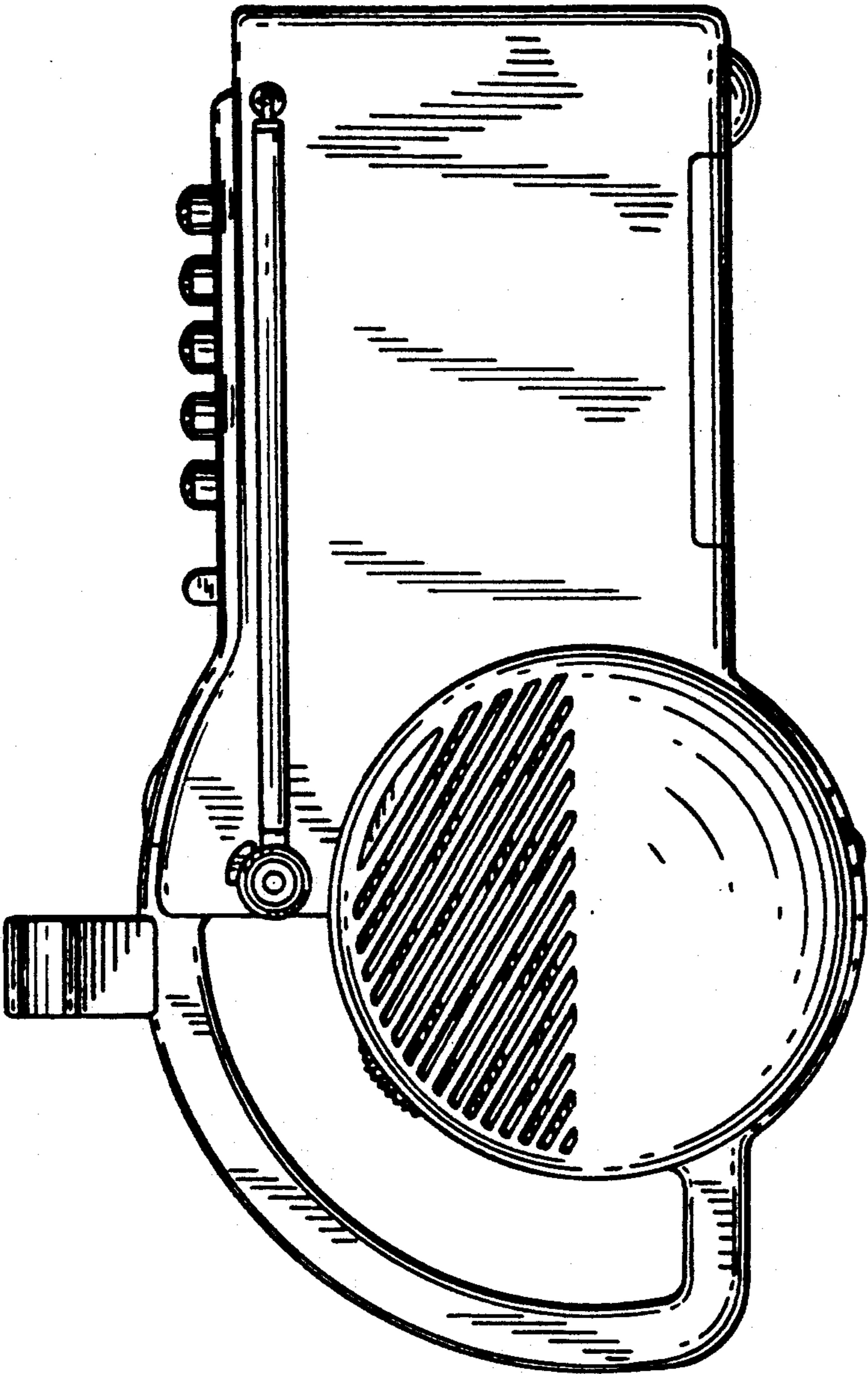


FIG. 4

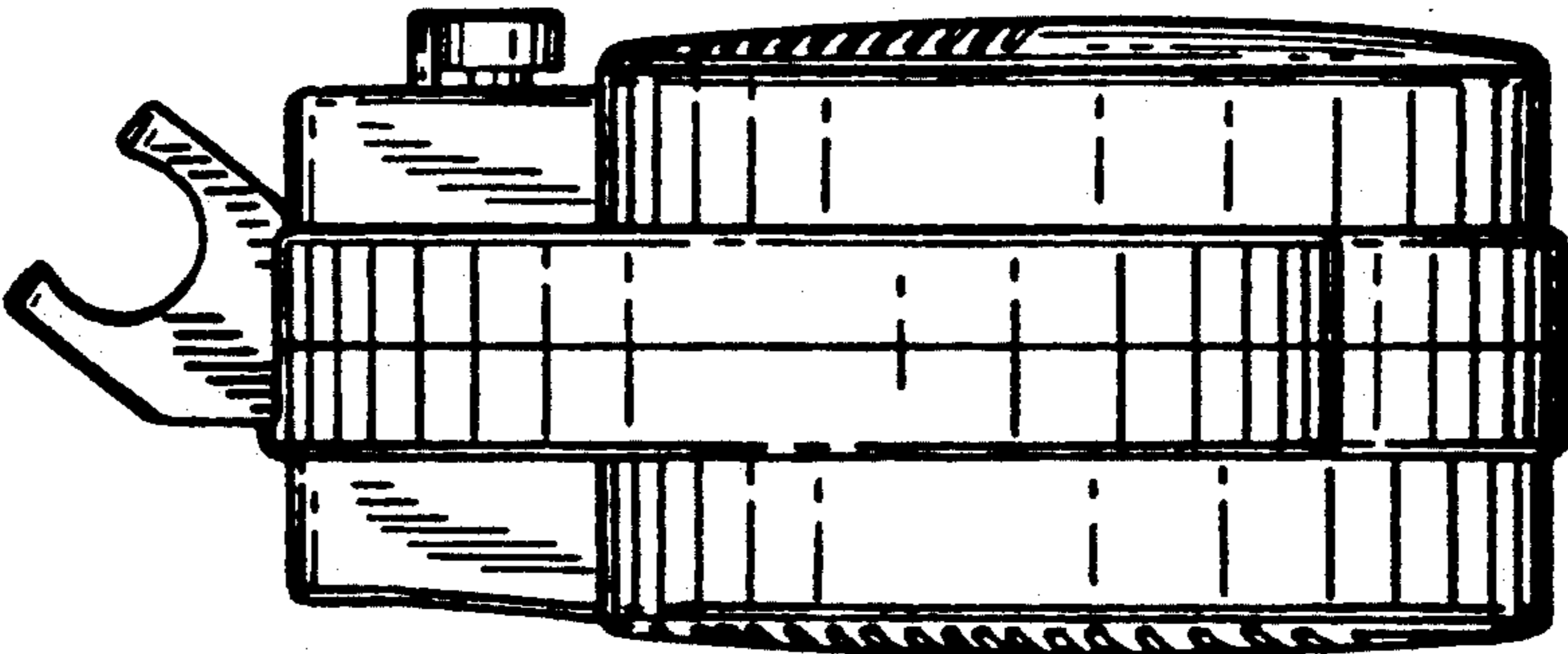


FIG. 7

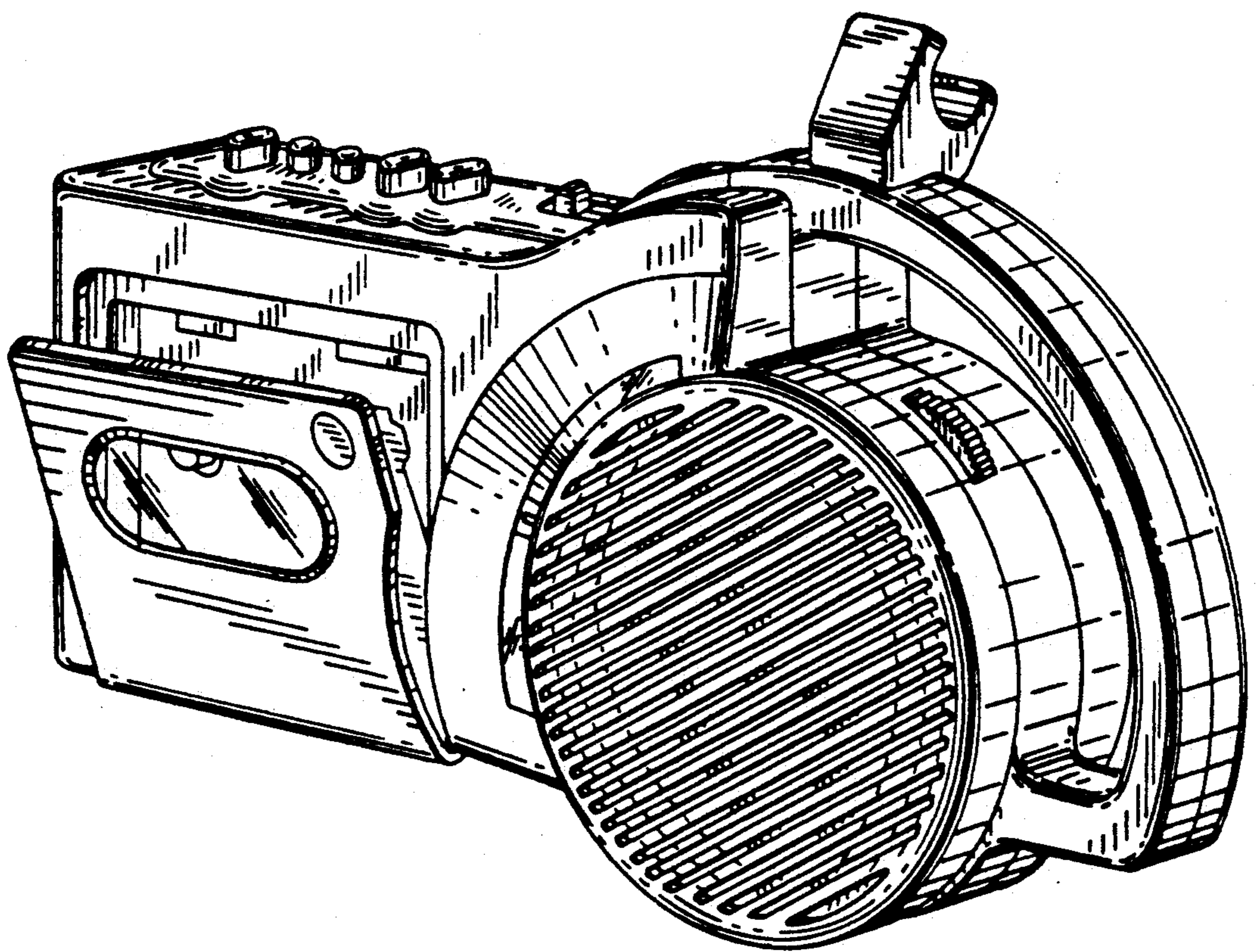


FIG. 8

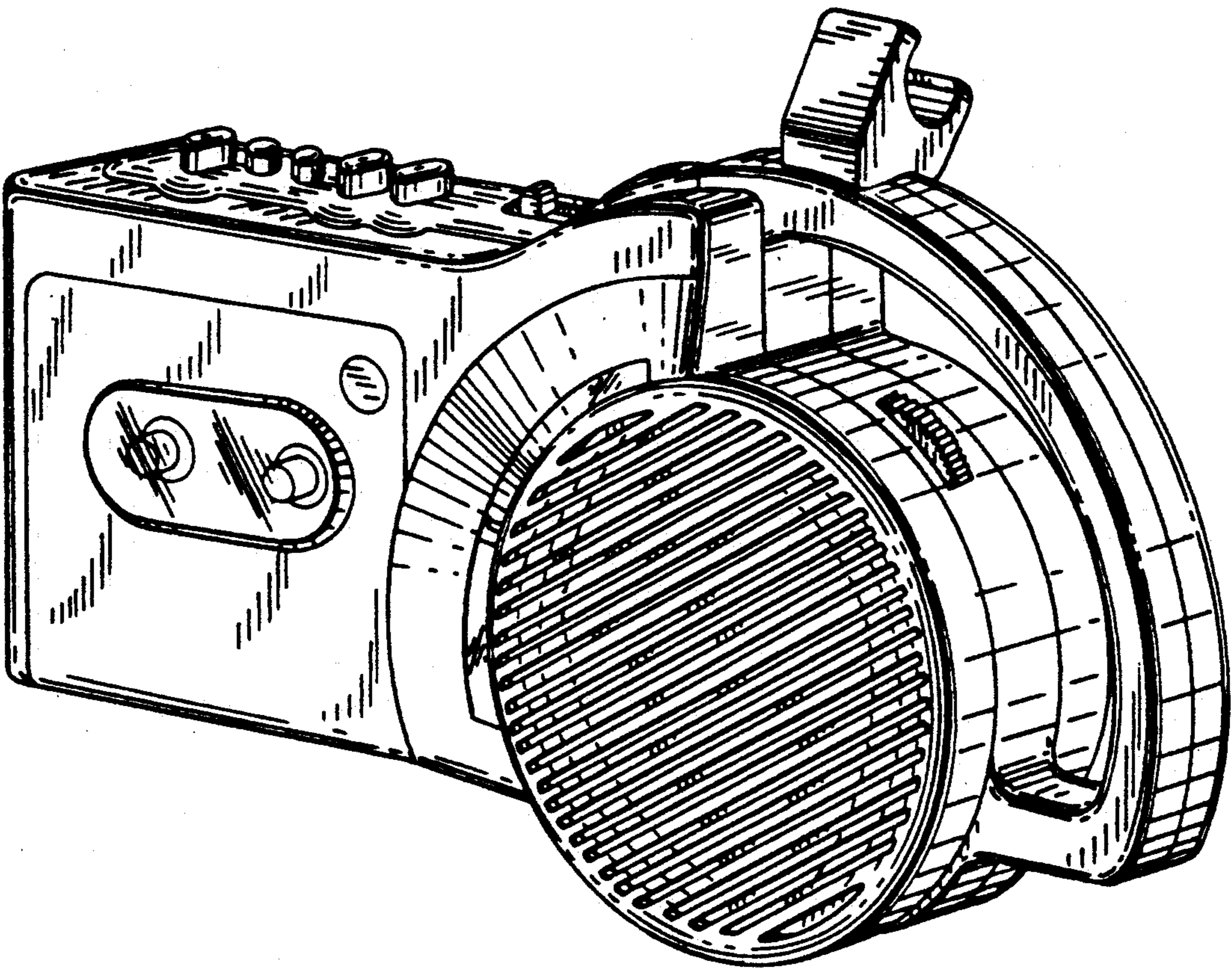


FIG. 9

