



US00D335877S

United States Patent [19]

[11] Patent Number: **Des. 335,877**

Watanabe et al.

[45] Date of Patent: **** May 25, 1993**

[54] **PORTABLE RADIOTELEPHONE**

[75] Inventors: **Katsuhito Watanabe; Seki Naoko; Eriko Ino**, all of Tokyo, Japan

[73] Assignee: **Oki Electric Industry Co., Ltd.**, Tokyo, Japan

[**] Term: **14 Years**

[21] Appl. No.: **660,033**

[22] Filed: **Feb. 26, 1991**

[30] **Foreign Application Priority Data**

Nov. 30, 1990 [JP] Japan 2-39817

[52] U.S. Cl. **D14/138**

[58] Field of Search **D14/138, 147, 148; 379/58, 59, 440**

[56] **References Cited**

U.S. PATENT DOCUMENTS

- D. 286,778 11/1986 Beaumont D14/138
- D. 287,010 12/1986 Sekiguchi et al. D14/138
- D. 289,283 4/1987 Kajita D14/138
- D. 289,895 5/1987 Shibayama et al. D14/53
- D. 291,564 8/1987 Kajita D14/138
- D. 291,801 9/1987 Suzuki et al. D14/138
- D. 292,206 10/1987 Watanabe D14/53
- D. 297,639 9/1988 Watanabe D14/53
- D. 298,317 11/1988 Watanabe D14/52
- D. 298,829 12/1988 Watanabe D14/53
- D. 304,830 11/1989 Sutoh D14/138
- D. 305,652 1/1990 Tejima D14/138

FOREIGN PATENT DOCUMENTS

- 94868 1/1987 Australia .
- 103698 4/1989 Australia .
- 106385 1/1990 Australia .

- 50619 12/1982 Canada .
- 53424 10/1984 Canada .
- 56131 4/1986 Canada .
- 57237 10/1986 Canada .
- 62137 12/1988 Canada .
- 64229 9/1989 Canada .

OTHER PUBLICATIONS

- Catalogue "TP500" Published Prior to Feb. 1991.
- Catalogue "DiamondTel 95" Published Prior to Feb. 1991.
- Catalogue "The Nokia LX-11" Published Prior to Feb. 1991.
- Catalogue "Antel Cellular Phone" Published Prior to Feb. 1991.

Primary Examiner—James M. Gandy
Attorney, Agent, or Firm—Wenderoth, Lind & Ponack

[57] **CLAIM**

The ornamental design for a portable radiotelephone, as shown and described.

DESCRIPTION

FIG. 1 is a left side, top and front perspective view of a portable radiotelephone showing our new design; FIG. 2 is a front elevational view thereof; FIG. 3 is a rear elevational view thereof; FIG. 4 is a left side elevational view thereof; FIG. 5 is a right side elevational view thereof; FIG. 6 is a top plan view thereof; FIG. 7 is a bottom view thereof; FIG. 8 is a sectional view taken on line VIII—VIII in FIG. 6; and, FIG. 9 is a front top and left side perspective view thereof showing handset separated from stand it being understood that the broken lines are for illustrative purposes only and form no part of the claimed design.

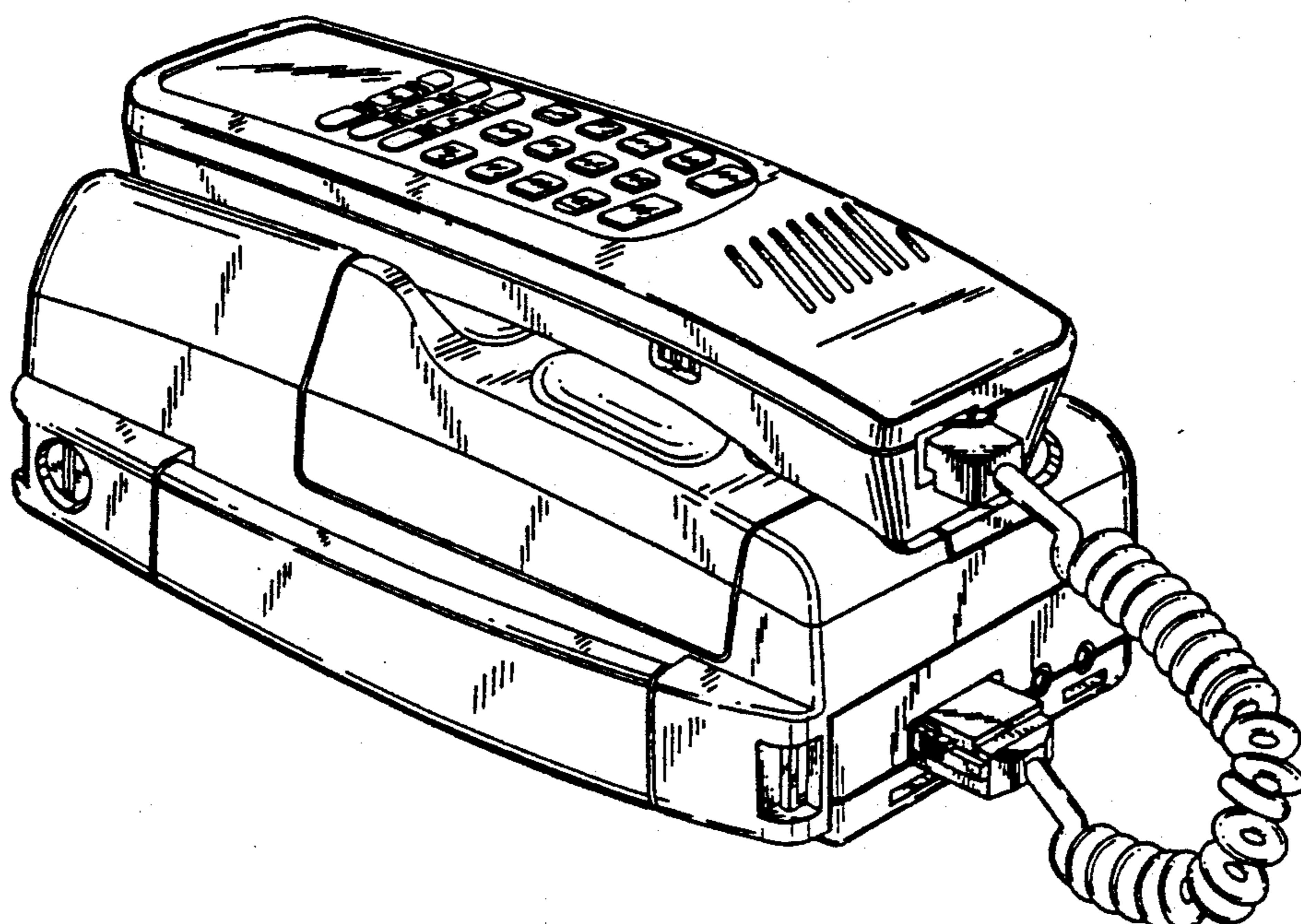


Fig. 1

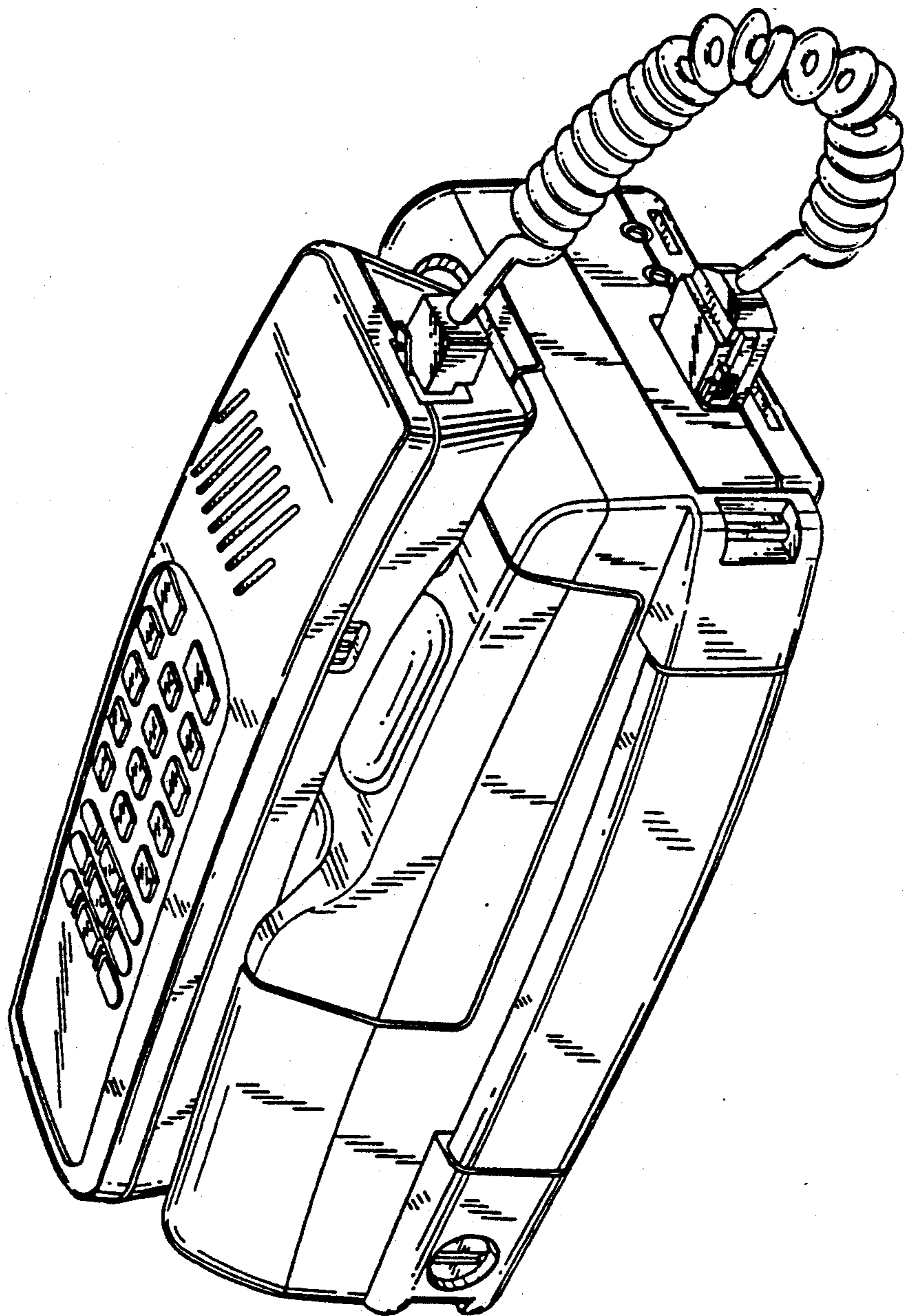


Fig. 2

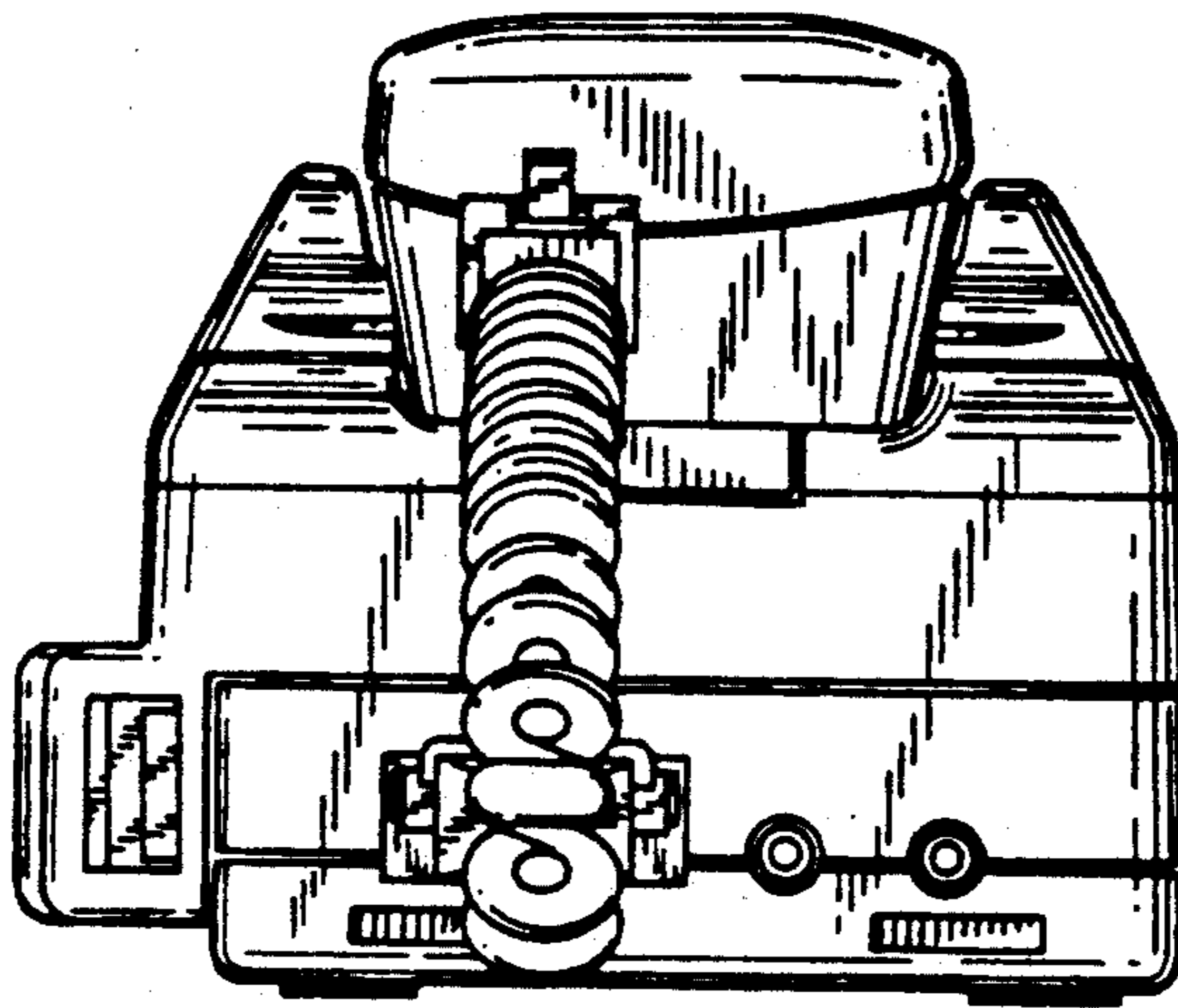


Fig. 3

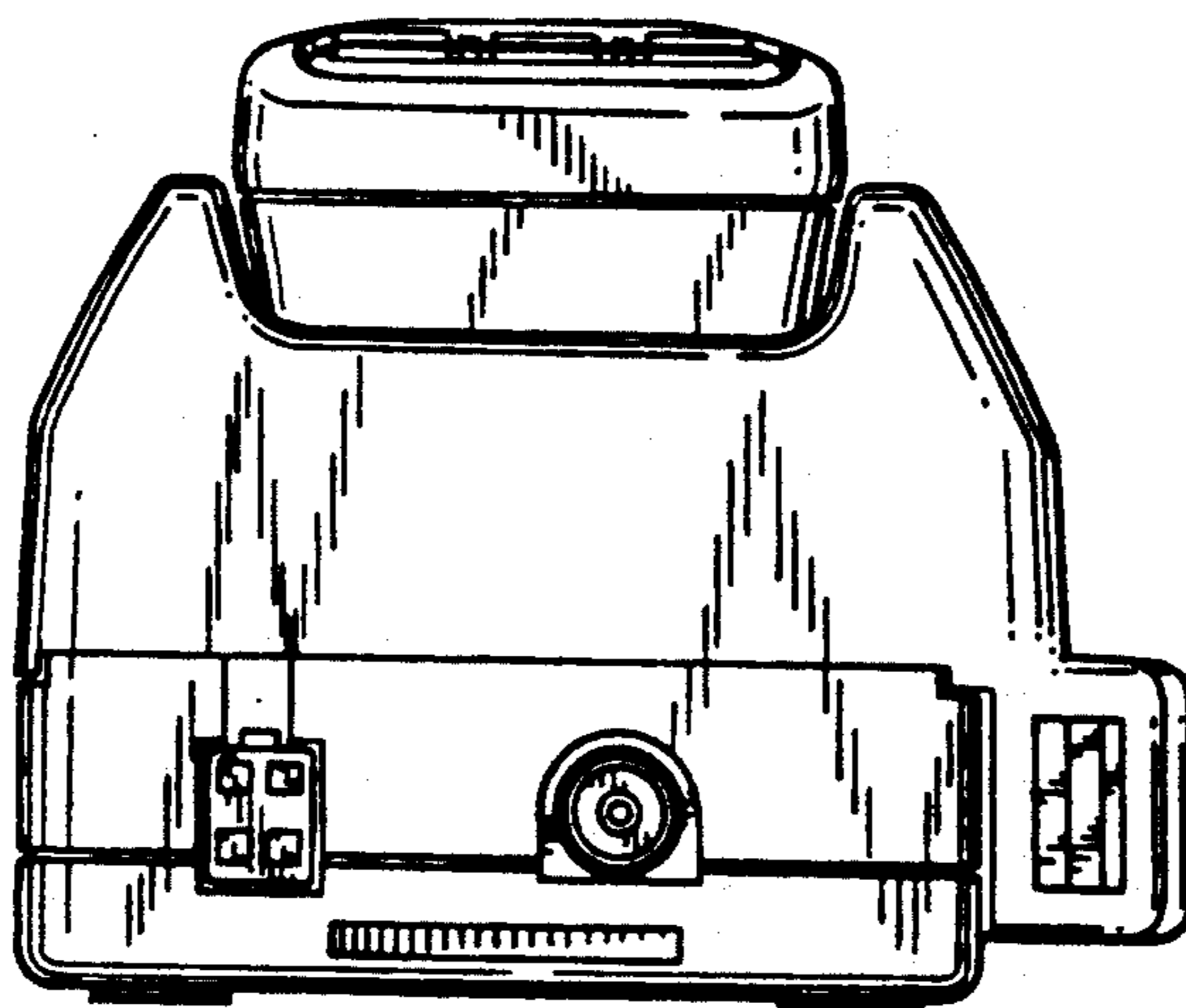


Fig. 4

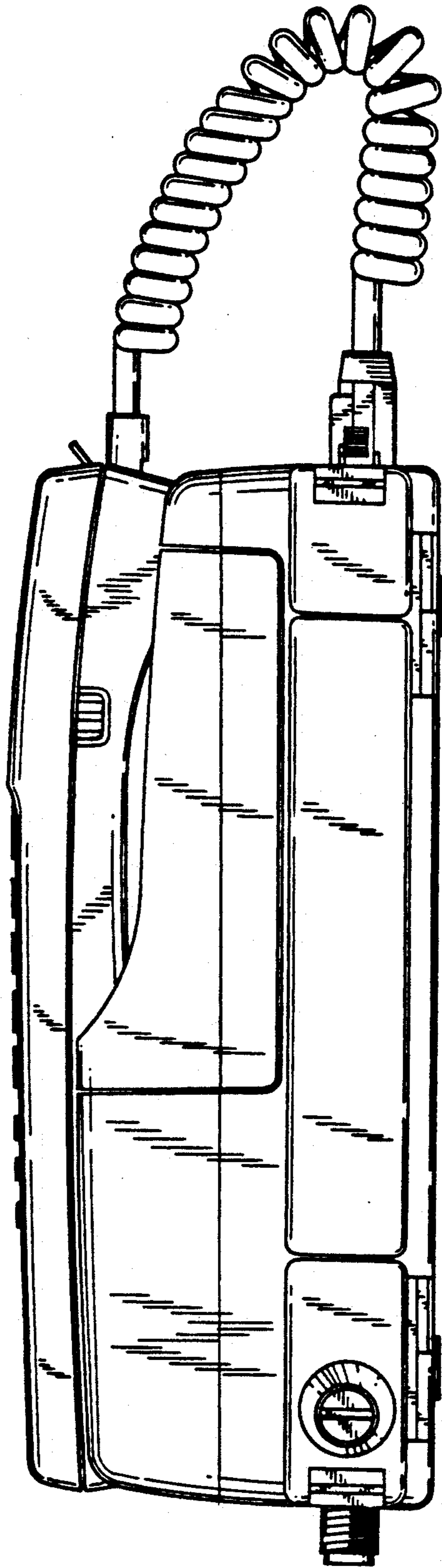


Fig. 5

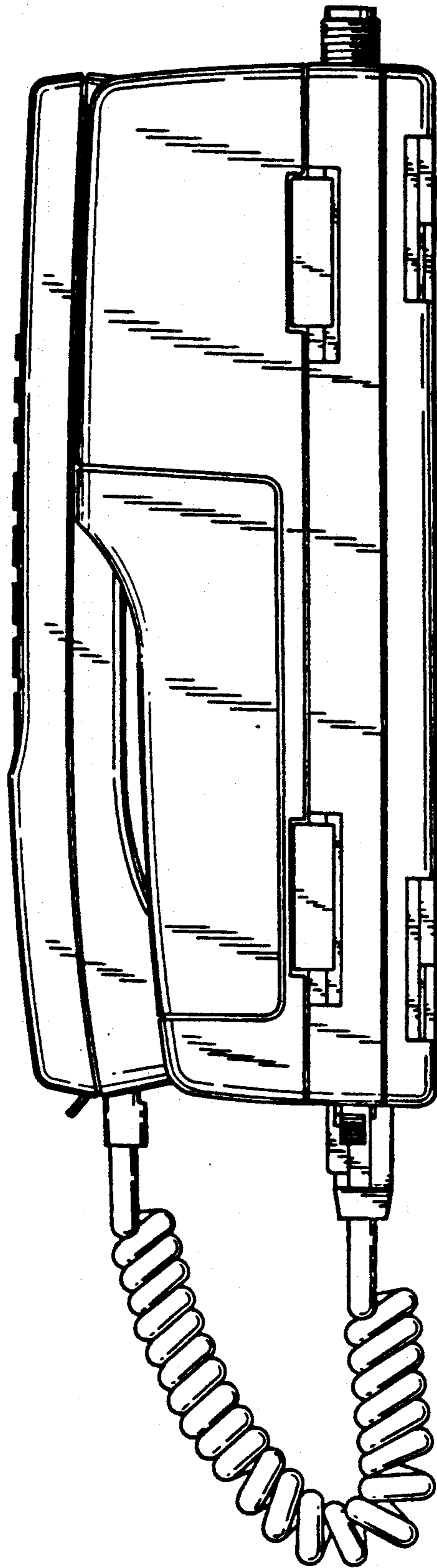


Fig. 6

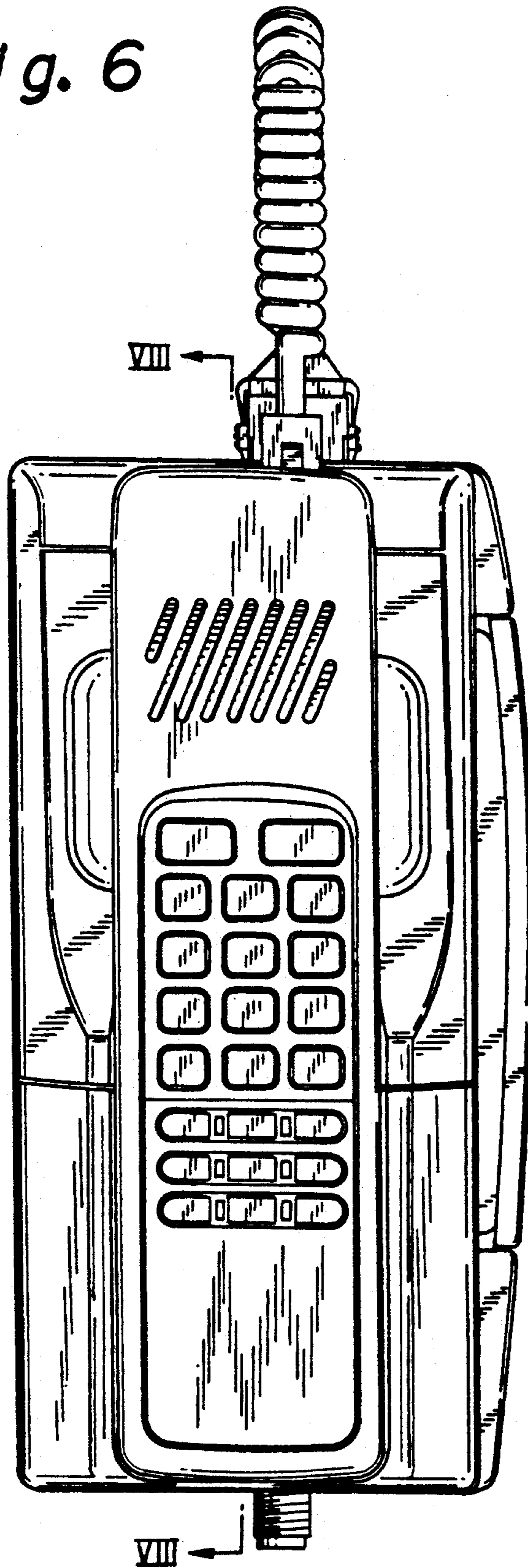


Fig. 7

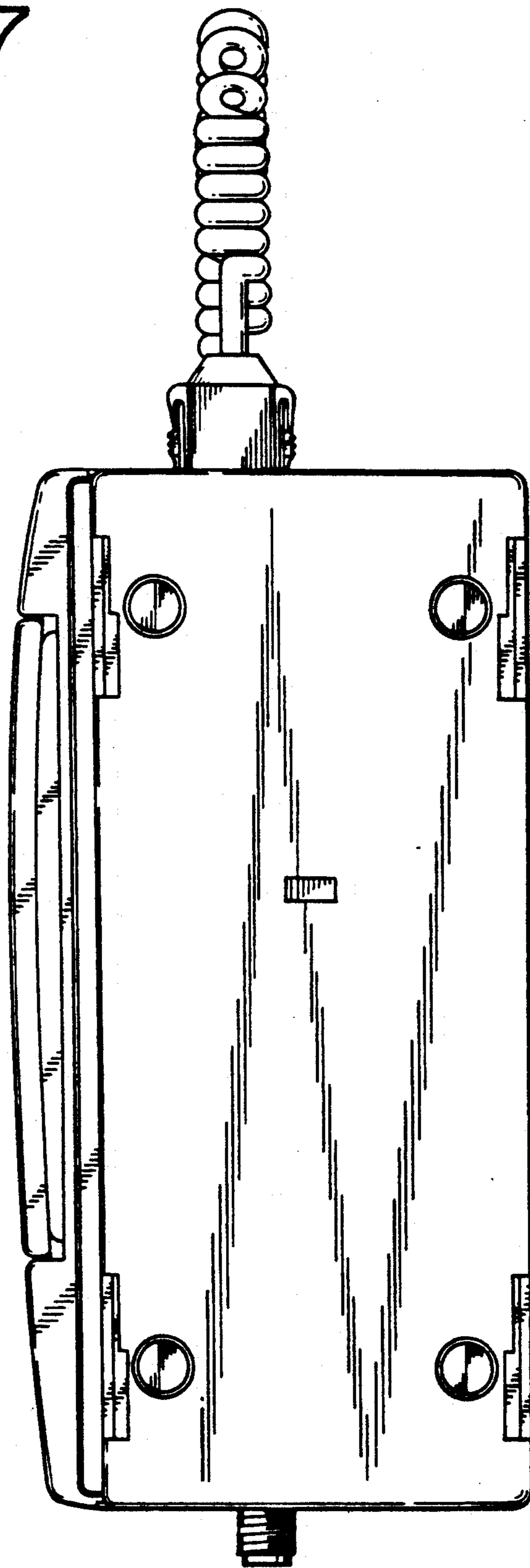


Fig. 8

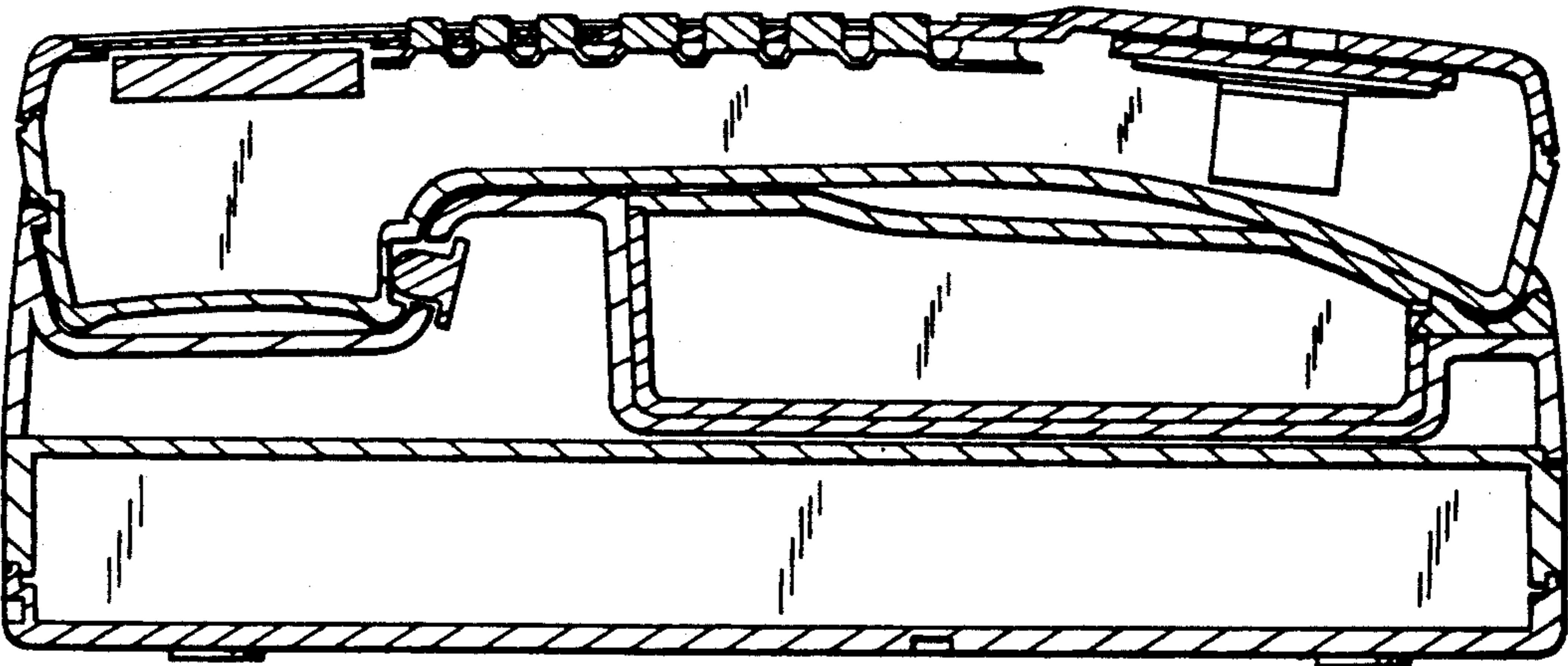


Fig. 9

