



US00D335873S

United States Patent [19]

[11] Patent Number: **Des. 335,873**

Soodong

[45] Date of Patent: **** May 25, 1993**

[54] CRT MONITOR FOR COMPUTER

- D. 313,407 1/1991 Kao D14/113
- D. 318,048 7/1991 Kim D14/113
- D 318,861 8/1991 Manabe et al. D14/113
- D. 321,344 11/1991 Steinbugler et al. D14/113

[75] Inventor: **Kim Soodong**, Seoul, Rep. of Korea

[73] Assignee: **Samsung Electron Devices Co., Ltd.**,
Hwasung, Rep. of Korea

Primary Examiner—Wallace R. Burke
Assistant Examiner—Freda S. Nunn
Attorney, Agent, or Firm—Christie, Parker and Hale

[**] Term: **14 Years**

[21] Appl. No.: **602,088**

[57] **CLAIM**

[22] Filed: **Oct. 23, 1990**

The ornamental design for a CRT monitor for computer, as shown and described.

[30] **Foreign Application Priority Data**

DESCRIPTION

Apr. 24, 1990 [KR] Rep. of Korea 90-5769

[52] U.S. Cl. **D14/113**

[58] Field of Search D14/100, 113, 115, 126;
D18/11; 340/700, 706; 358/249, 254;
364/706-710

FIG. 1 is a front elevational view of a CRT monitor for a computer showing my new design;
FIG. 2 is a back elevational view thereof;
FIG. 3 is a top plan view thereof;
FIG. 4 is a bottom plan view thereof;
FIG. 5 is a left-side elevational view thereof;
FIG. 6 is a right side elevational view thereof; and,
FIG. 7 is a top front and right side perspective view thereof.

[56] **References Cited**

U.S. PATENT DOCUMENTS

D. 313,228 12/1990 Suyama et al. D14/113

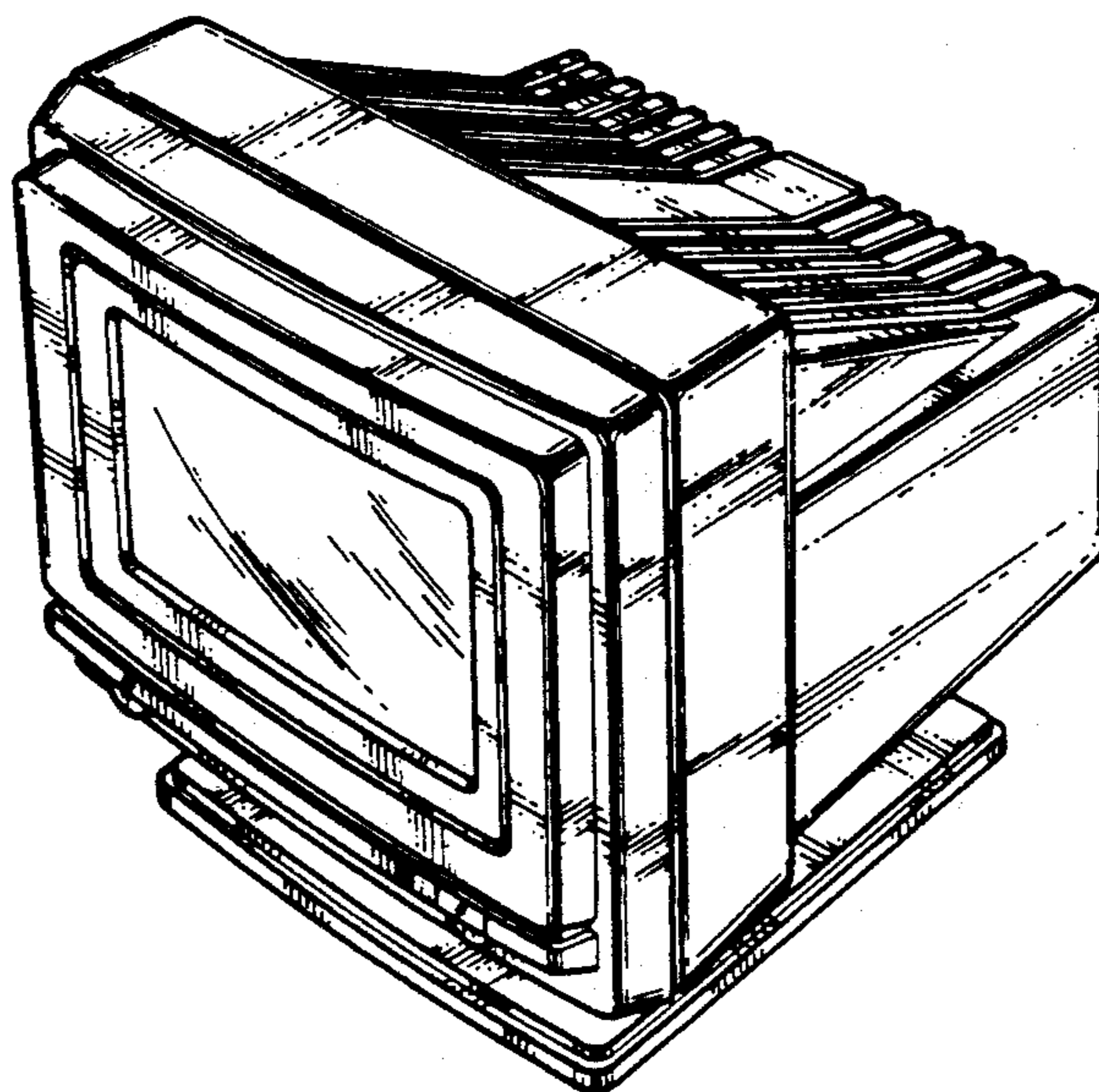
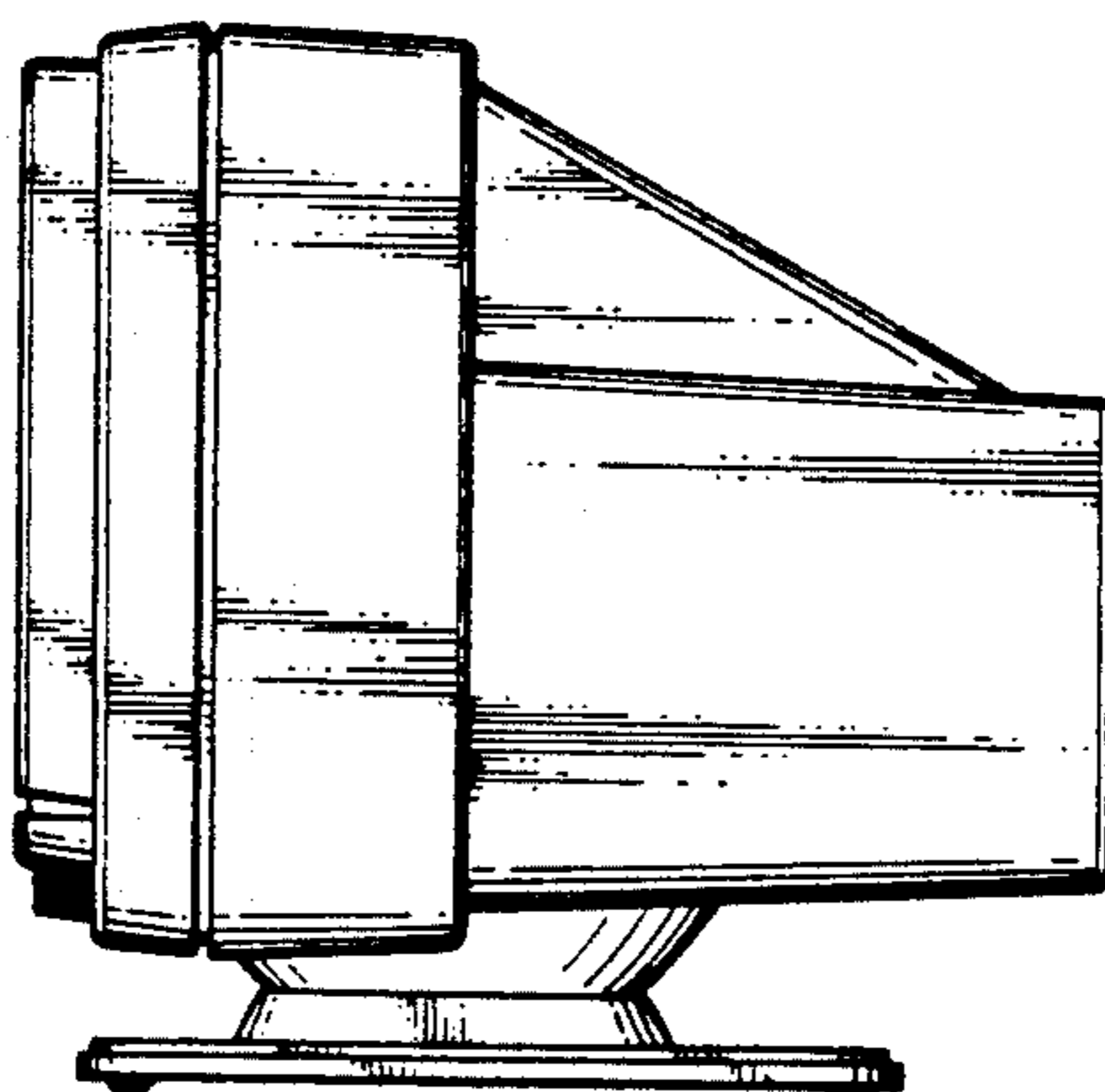


FIG. 1

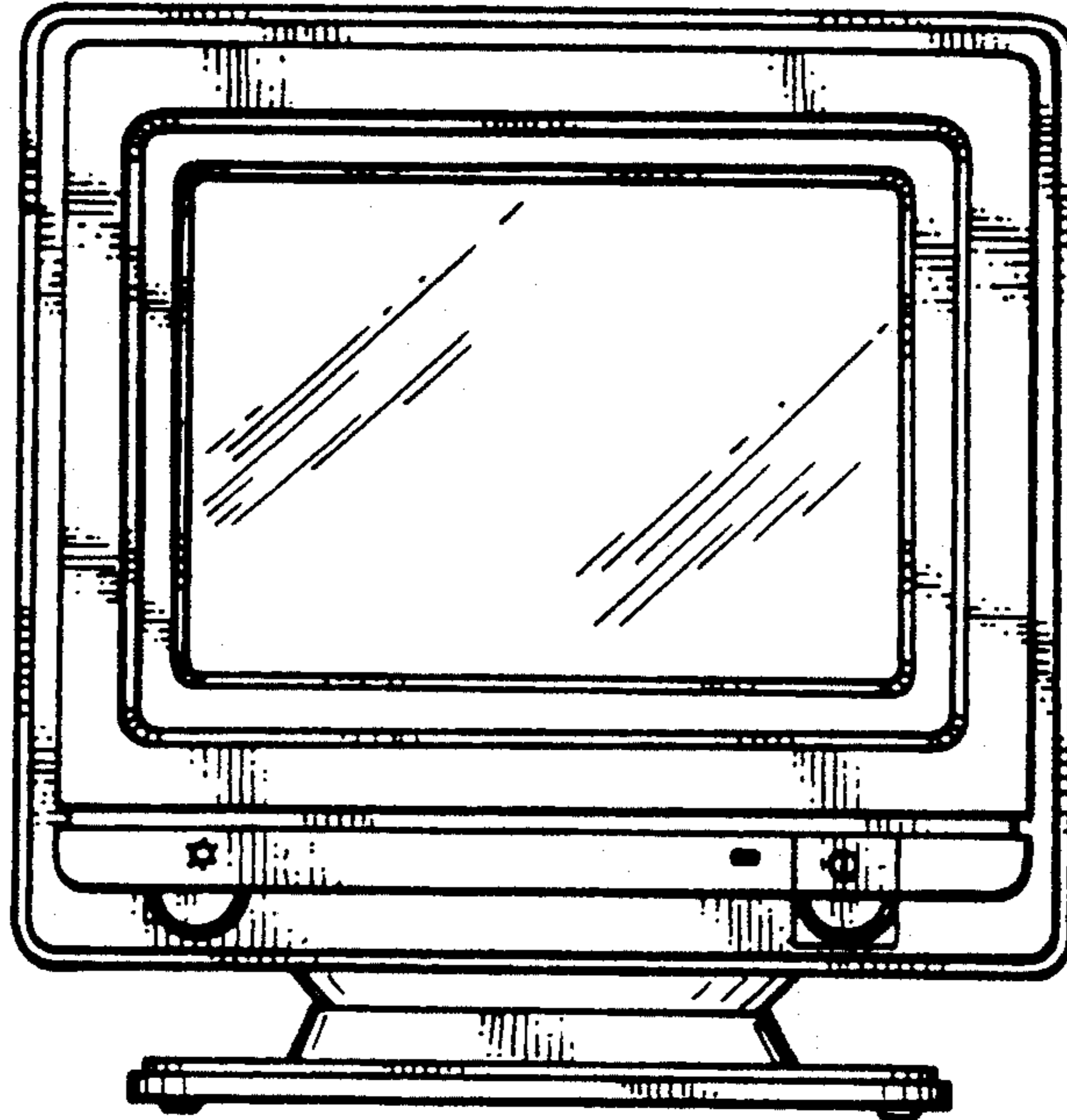


FIG. 2

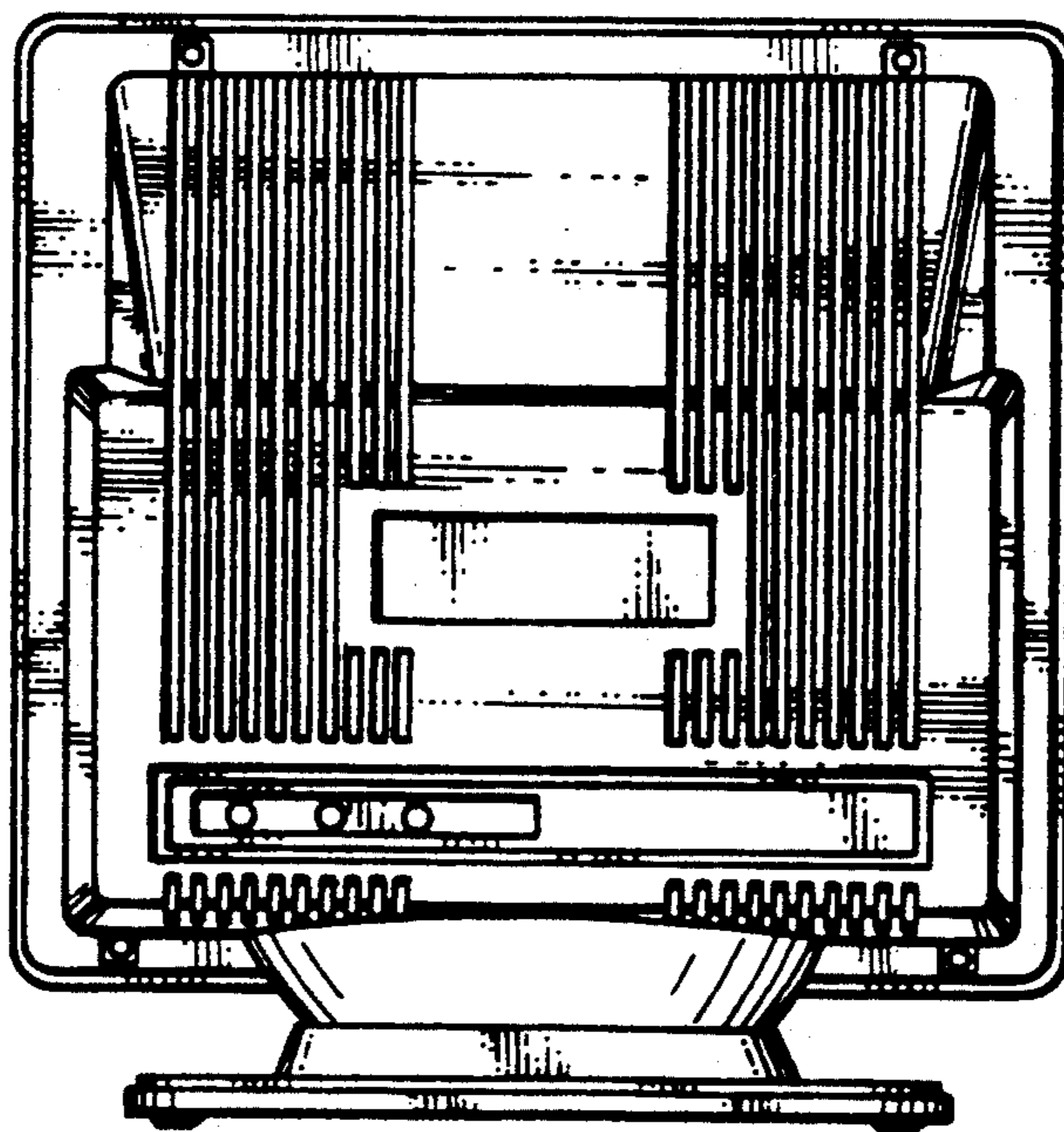


FIG. 3

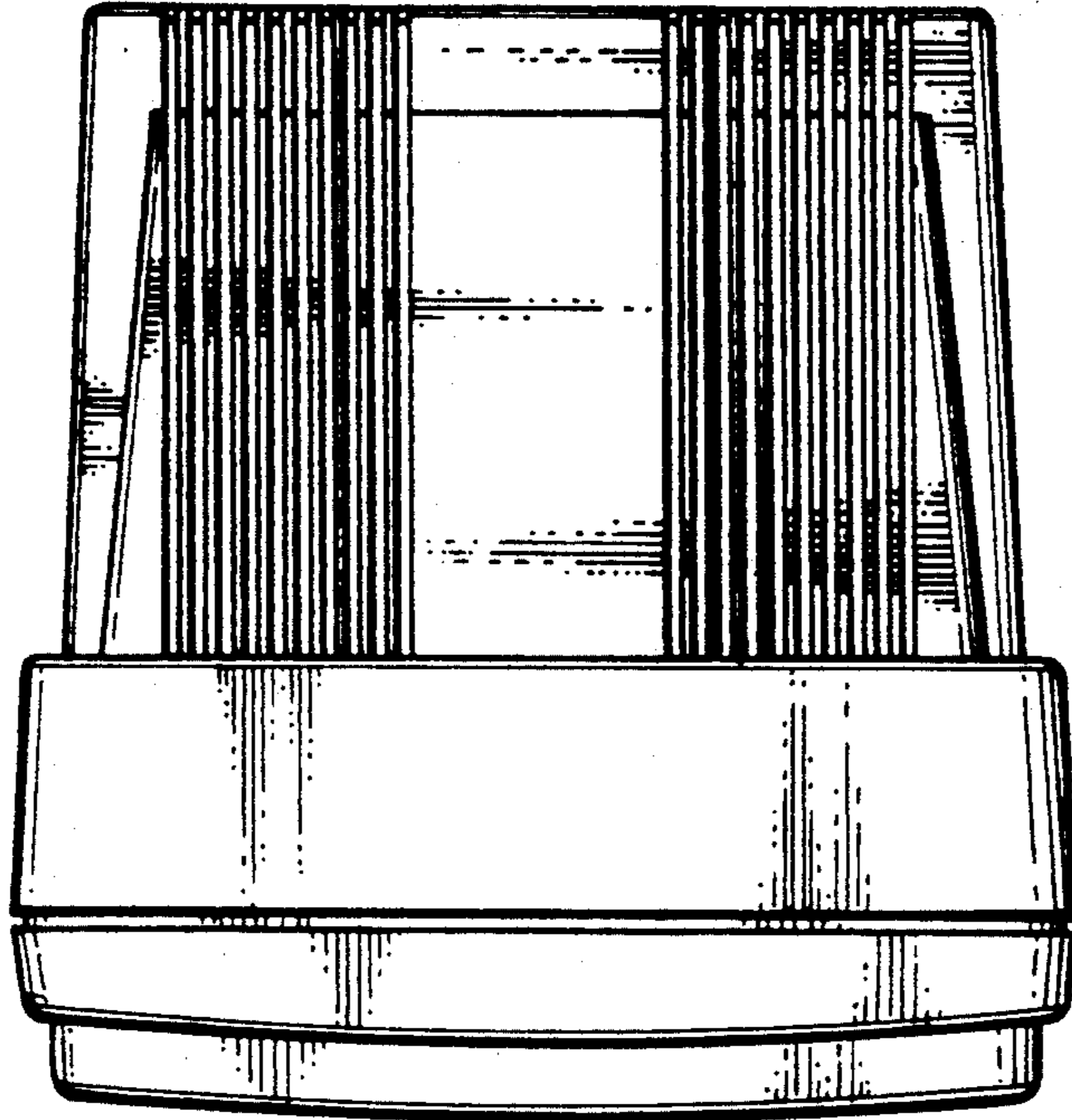


FIG. 4

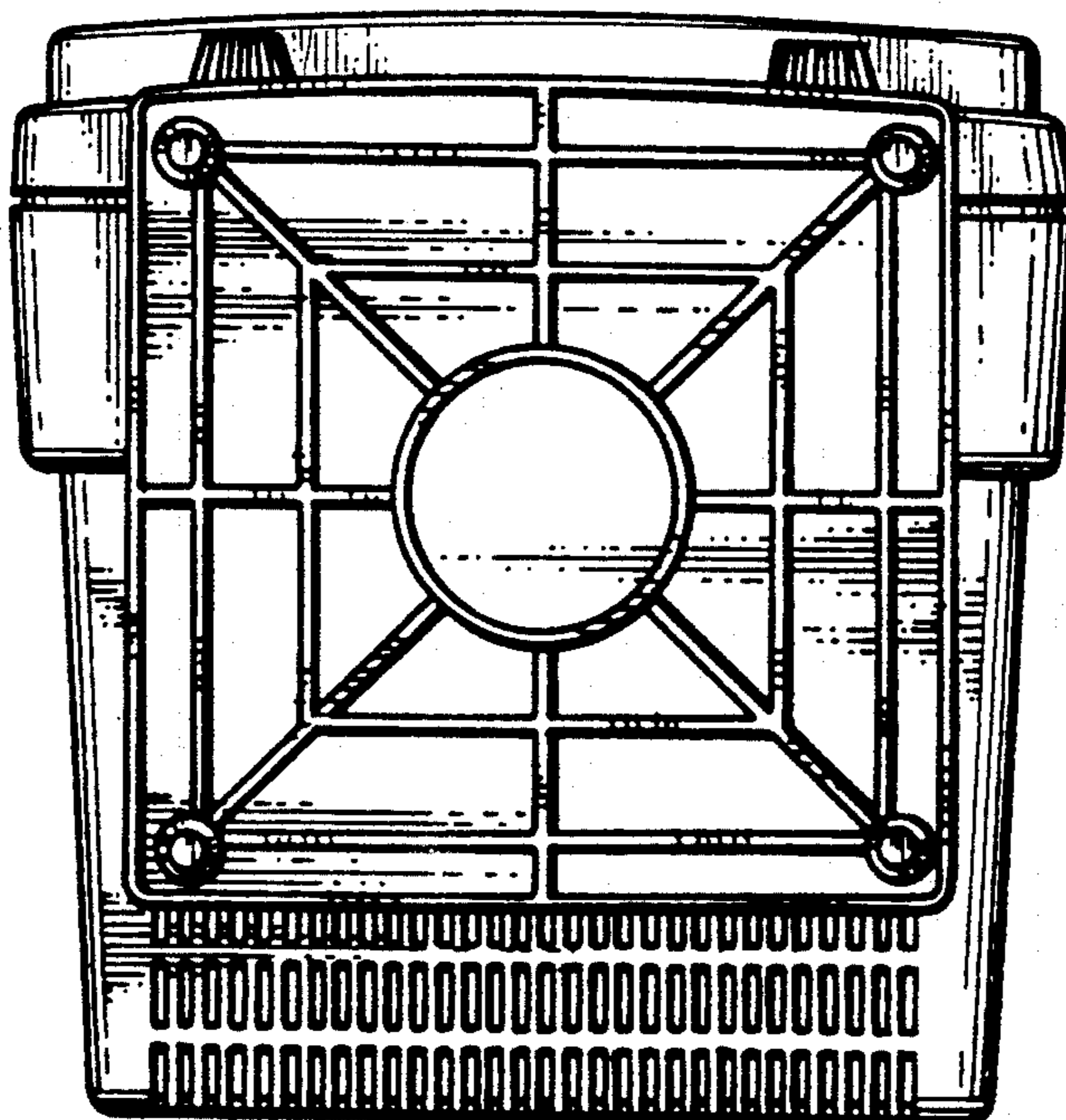


FIG. 5

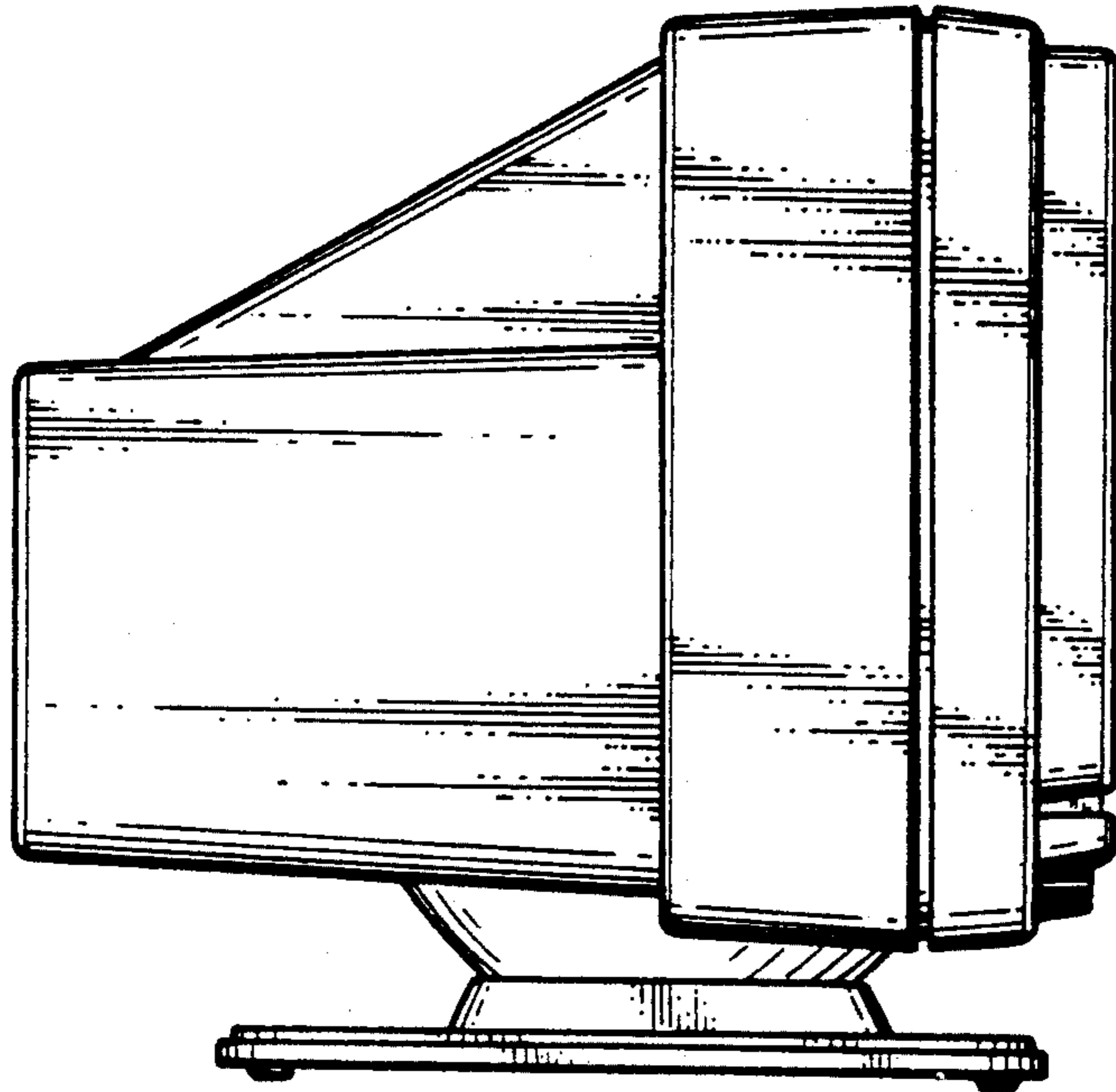


FIG. 6

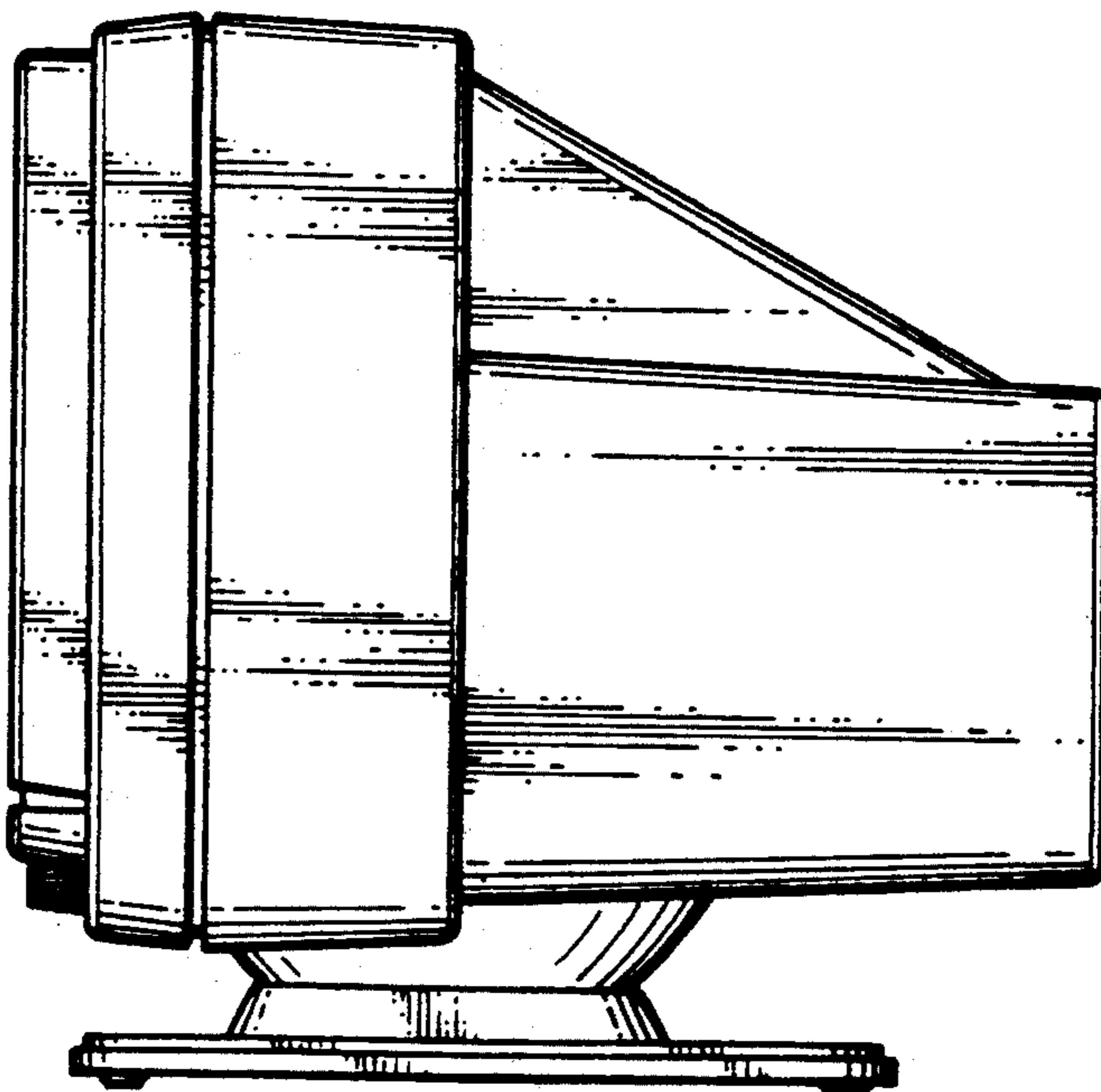
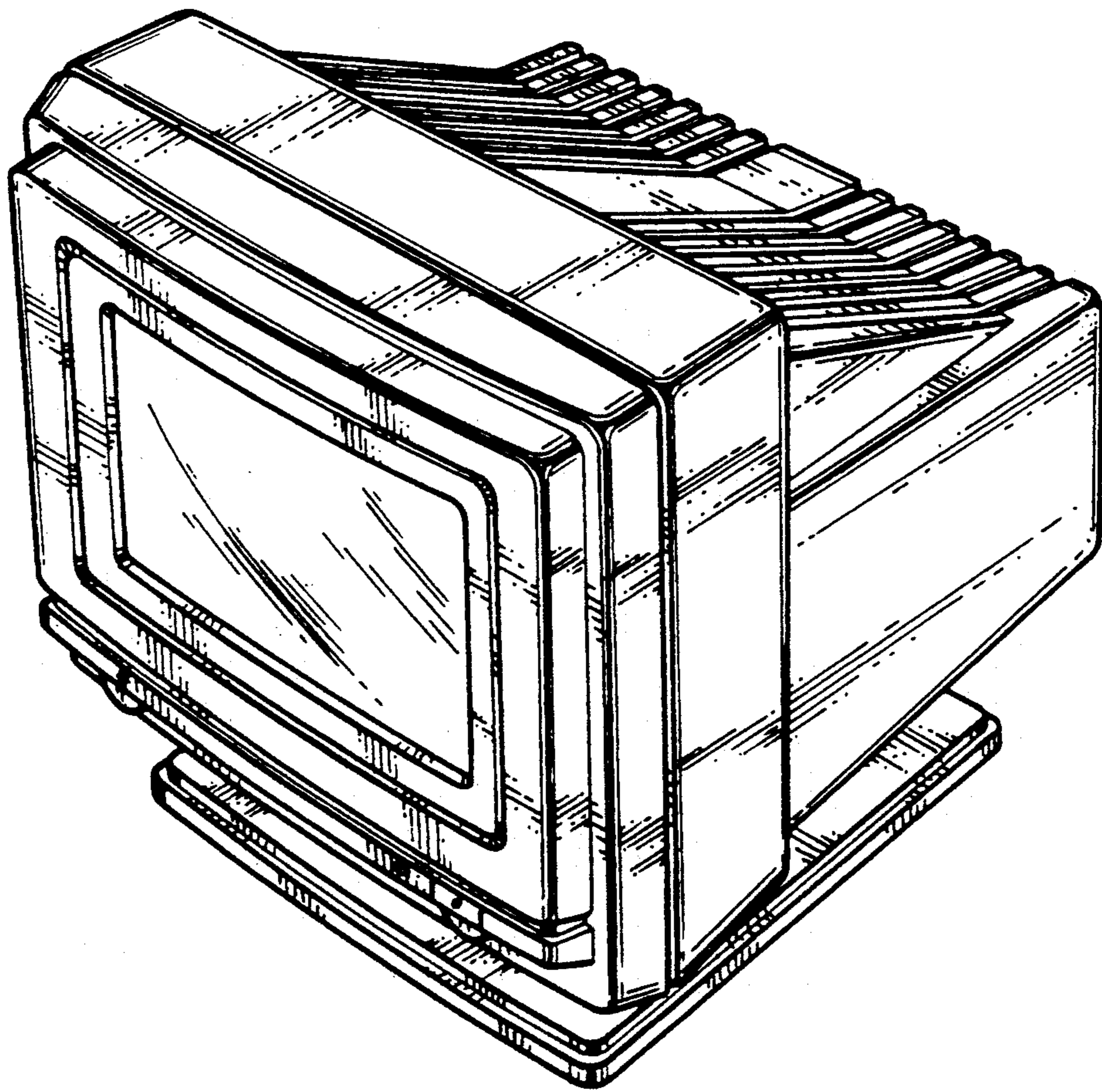


FIG. 7



UNITED STATES PATENT AND TRADEMARK OFFICE
CERTIFICATE OF CORRECTION

PATENT NO. : Des. 335,873

DATED : May 25, 1993

INVENTOR(S) : Soodong Kim

It is certified that error appears in the above-identified patent and that said Letters Patent is hereby corrected as shown below:

On the title page, item (19):

Under "UNITED STATES PATENT" change "Soodong" to -- Kim --.

Item (75) Inventor: change "Kim Soodong, Seoul, Rep. of Korea"
to -- Soodong Kim, Seoul, Rep. of Korea --.

Signed and Sealed this
Eleventh Day of January, 1994

Attest:



BRUCE LEHMAN

Attesting Officer

Commissioner of Patents and Trademarks