



US00D335871S

United States Patent [19]

De Jongh

[11] Patent Number: **Des. 335,871**

[45] Date of Patent: **** May 25, 1993**

[54] **READER FOR DATA PROCESSING**

[56]

References Cited

U.S. PATENT DOCUMENTS

[75] Inventor: **Johan C. H. De Jongh, Mierlo, Netherlands**

[73] Assignee: **U.S. Philips Corporation, New York, N.Y.**

D. 287,591 1/1987 Kaplan et al. D14/106 X
 D. 287,592 1/1987 Perissinotto D14/105
 D. 308,863 6/1990 Soren et al. D14/107
 D. 311,522 10/1990 Knight D14/106
 D. 312,247 11/1990 Simoneaux et al. D14/105
 D. 323,490 1/1992 Jarilla-Valiente D14/105

[**] Term: **14 Years**

Primary Examiner—Wallace R. Burke
Assistant Examiner—Freda S. Nunn
Attorney, Agent, or Firm—Jack E. Haken

[21] Appl. No.: **654,561**

[57] CLAIM

The ornamental design for a reader for data processing, as shown.

[22] Filed: **Feb. 12, 1991**

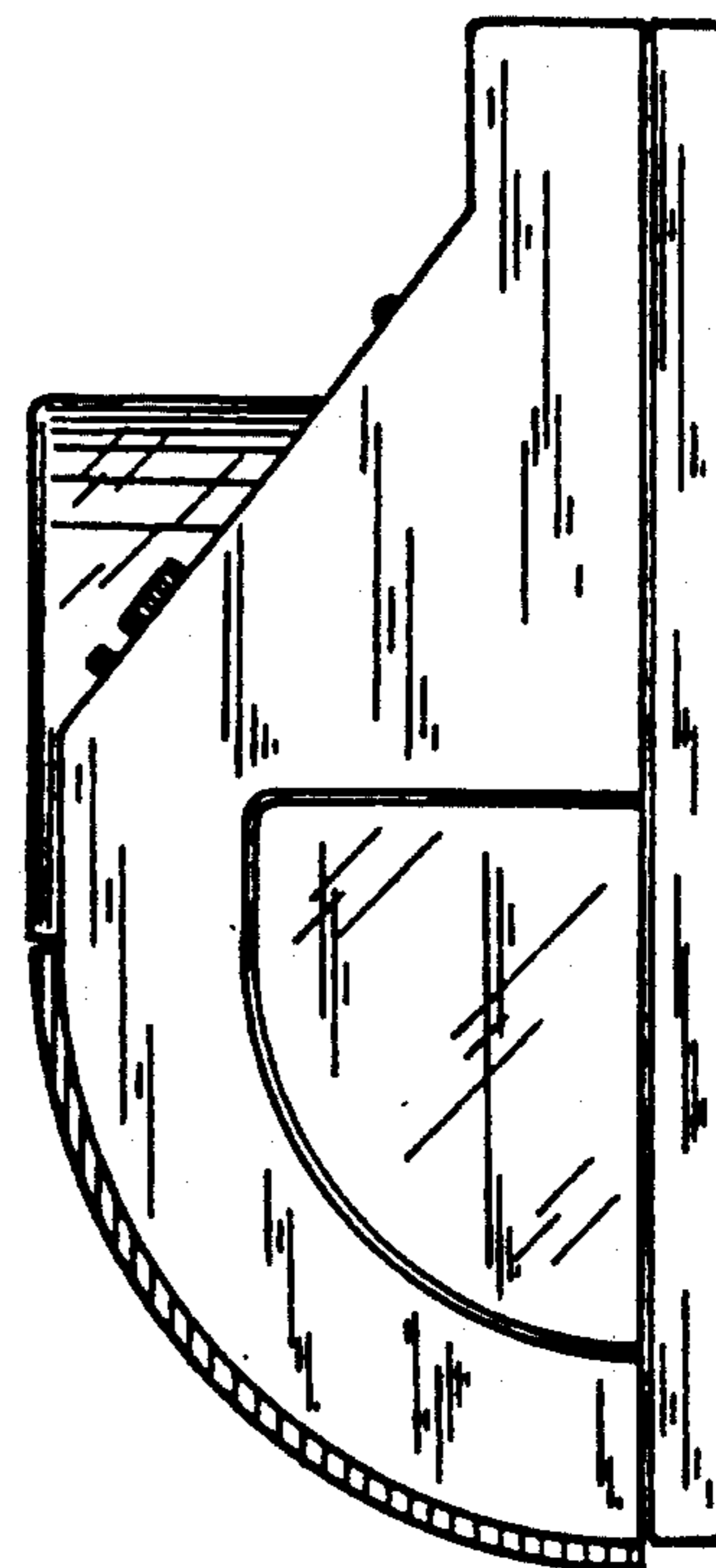
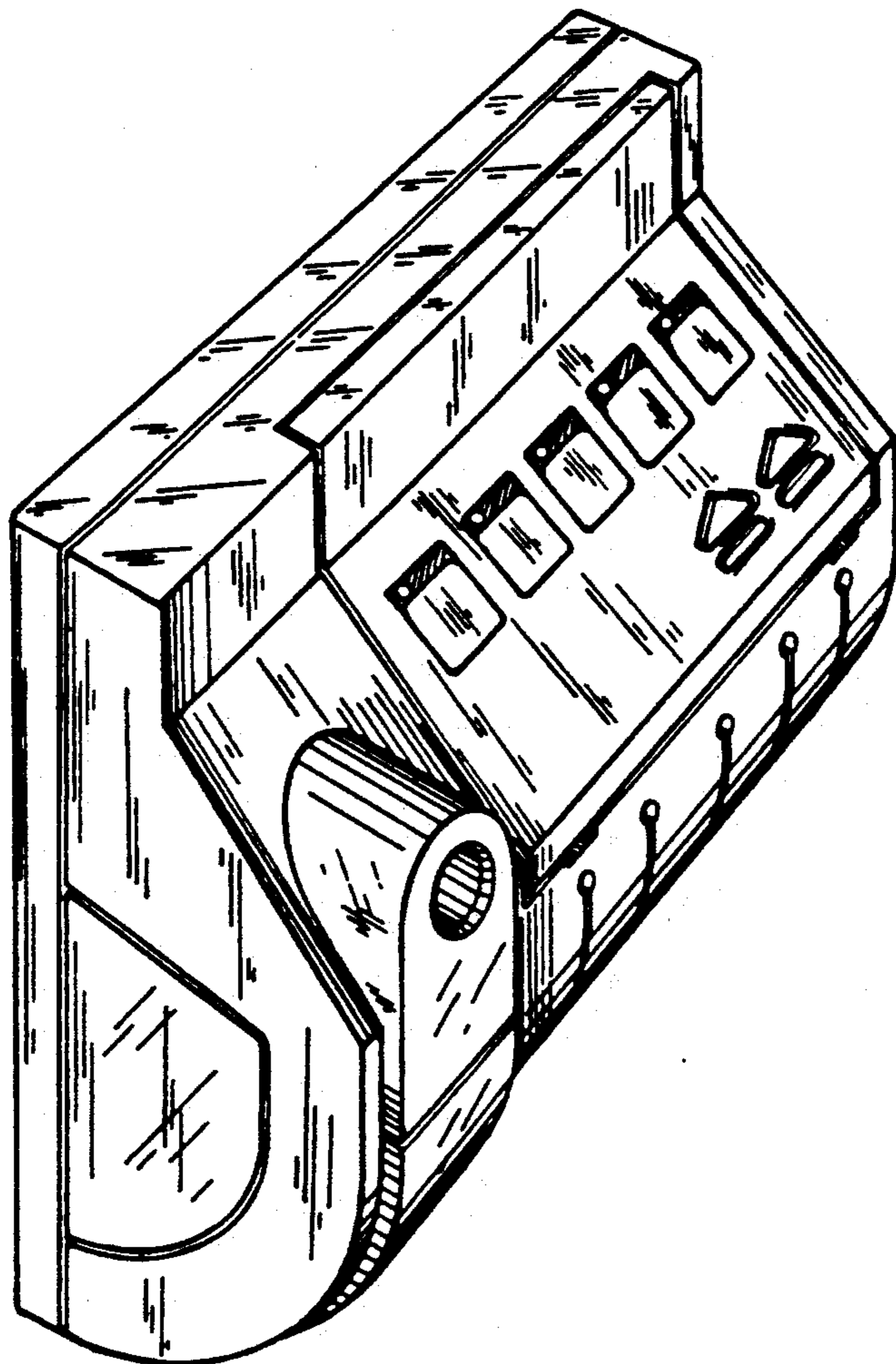
DESCRIPTION

[30] **Foreign Application Priority Data**
 Aug. 30, 1990 [WO] World Int. Prop. O. ... DM/017.490

[52] U.S. Cl. **D14/107**

[58] Field of Search **D14/100, 105, 107, 114, D14/116; 235/462, 454, 380, 470, 473, 475; 250/566, 568, 239, 569; 358/408, 474, 497; 382/58, 62, 63, 65**

FIG. 1 is a top, front, left side perspective view showing our new design;
 FIG. 2 is a front elevational view thereof;
 FIG. 3 is a rear elevational view thereof;
 FIG. 4 is a left side elevational view thereof;
 FIG. 5 is a right side elevational view thereof;
 FIG. 6 is a top plan view thereof; and,
 FIG. 7 is a bottom plan view thereof.



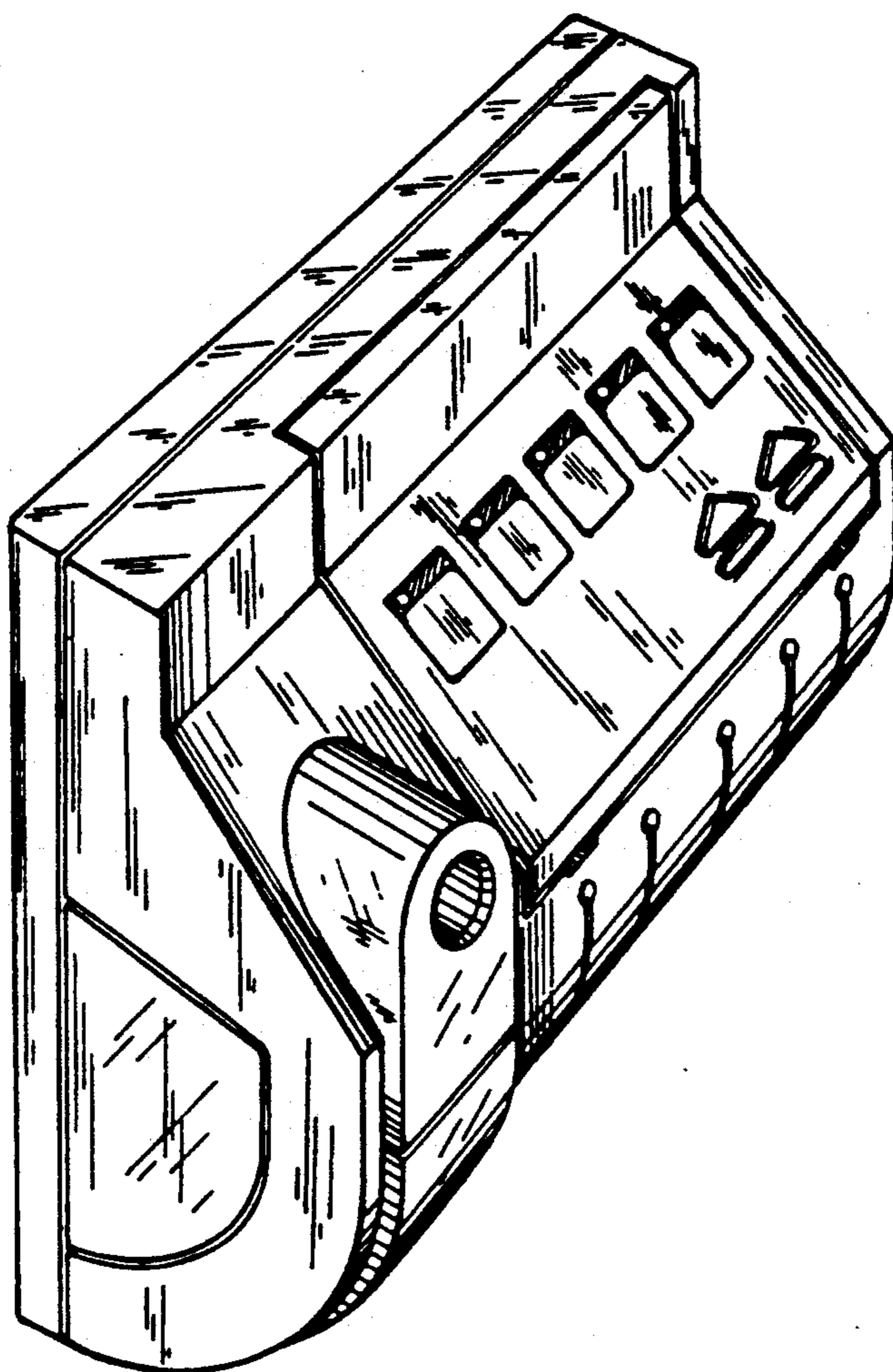


FIG. 1

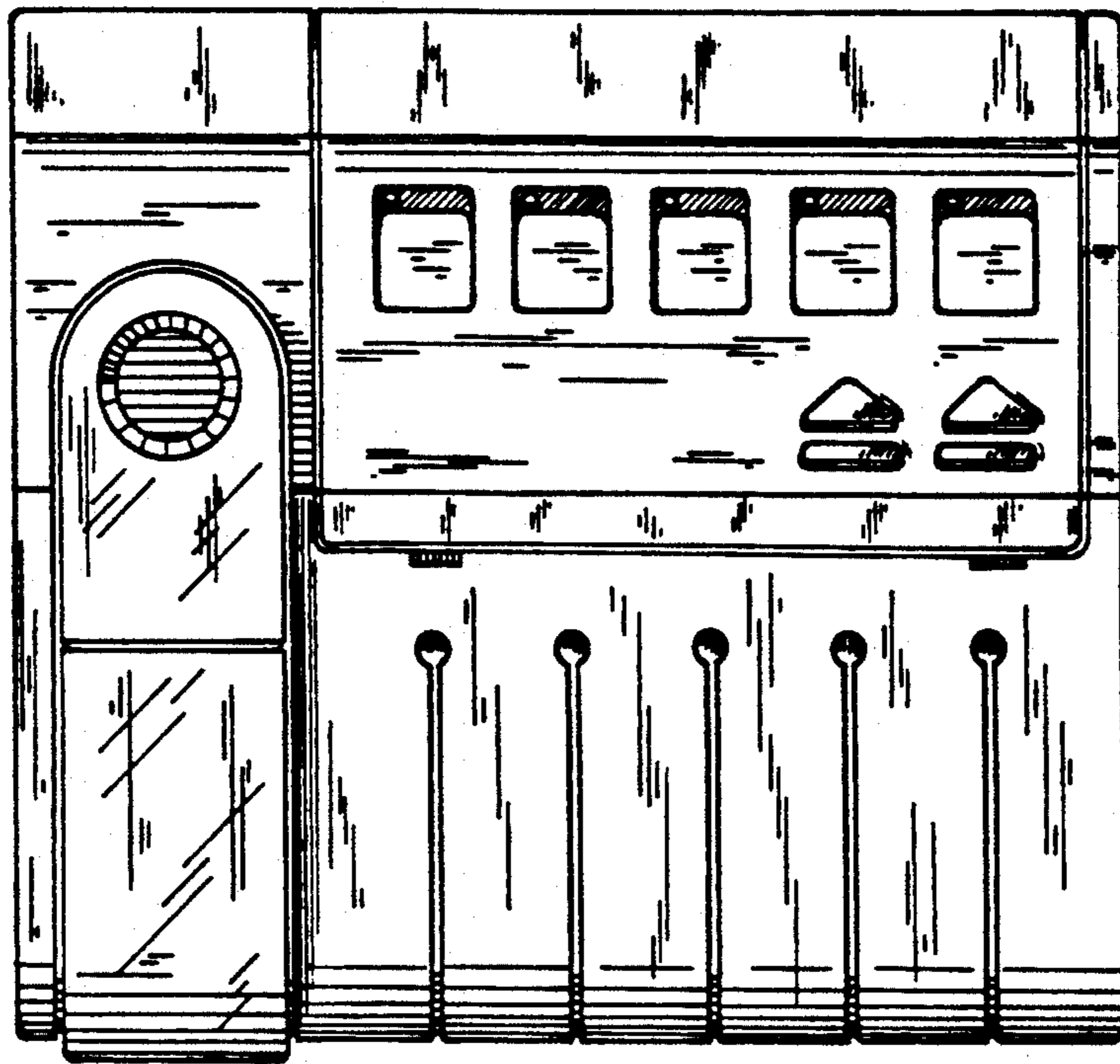


FIG. 2

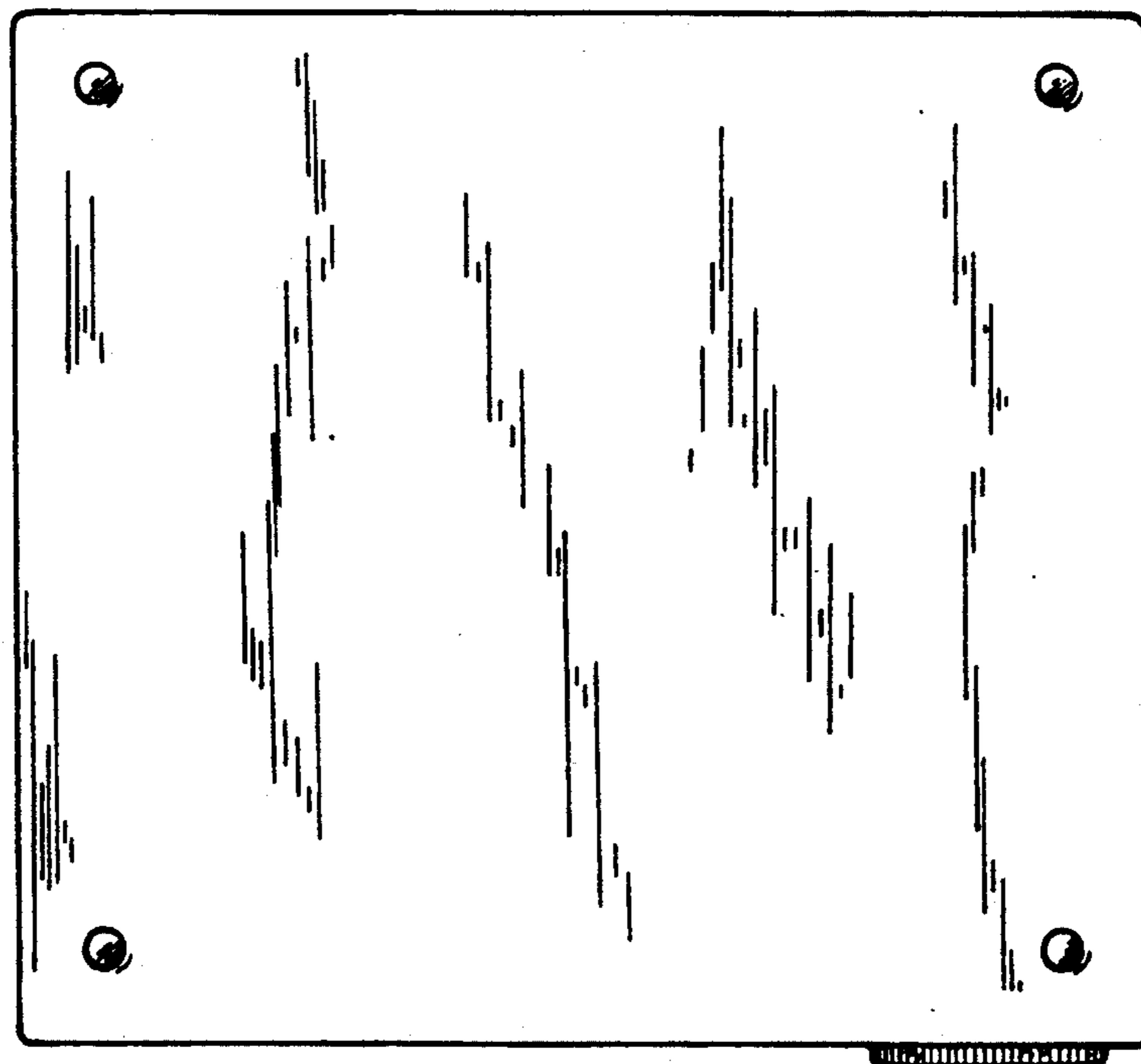


FIG. 3

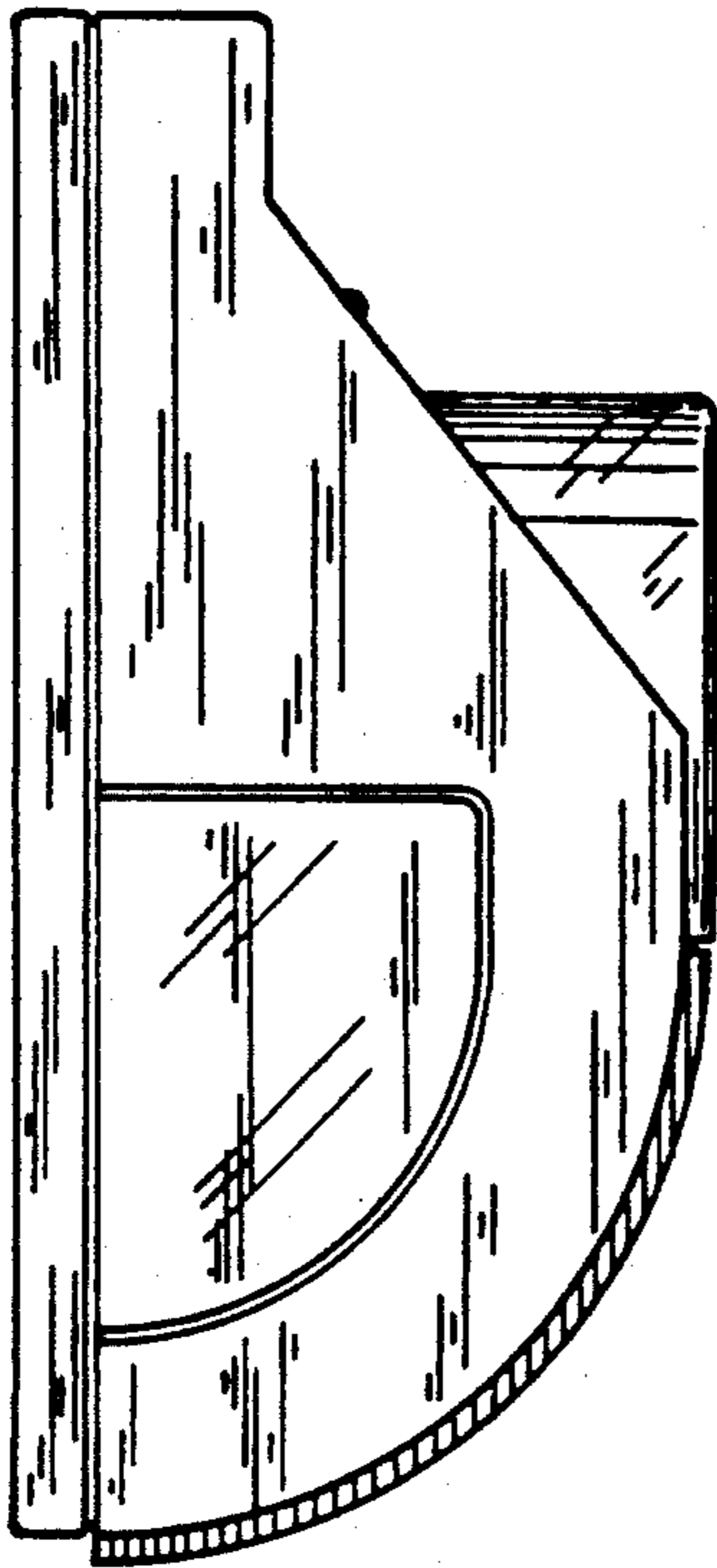


FIG. 4

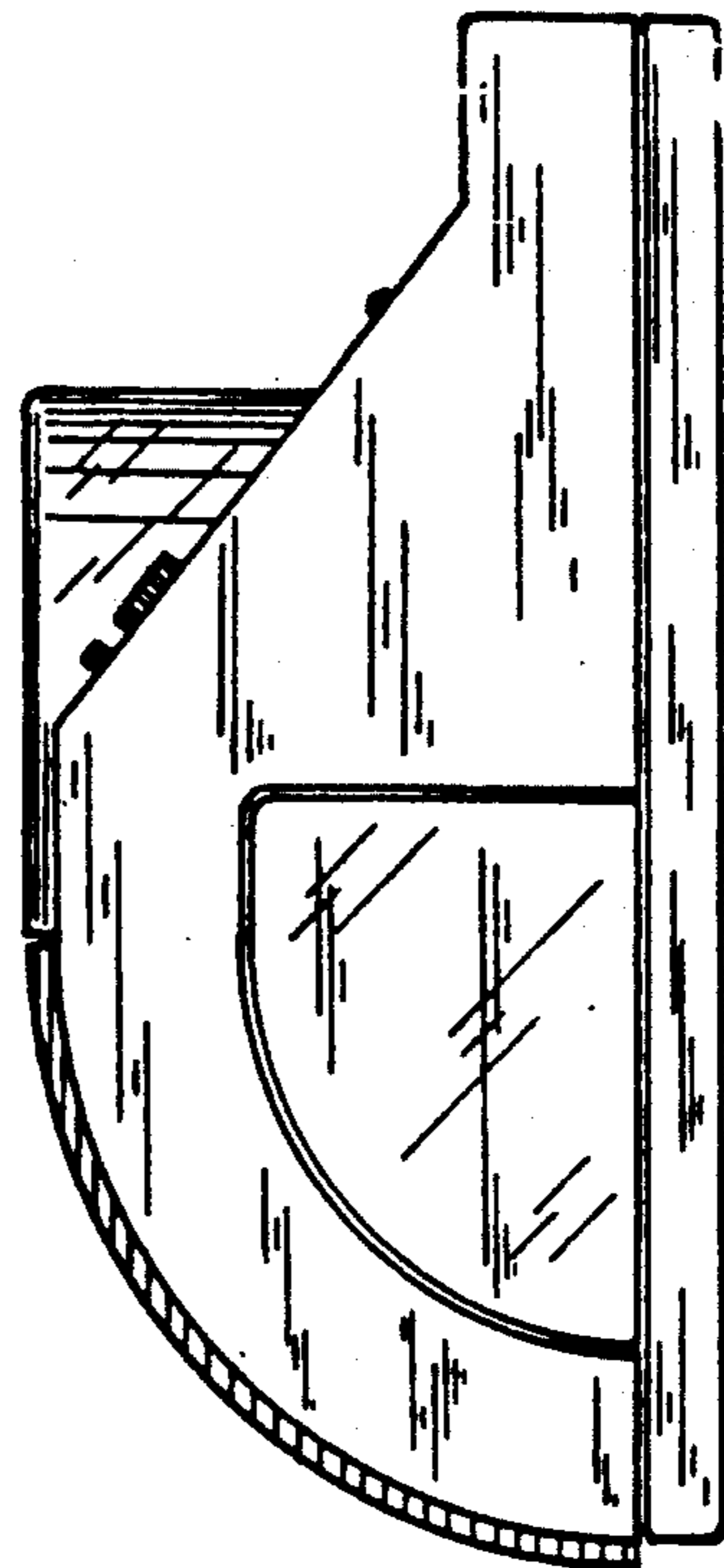


FIG. 5

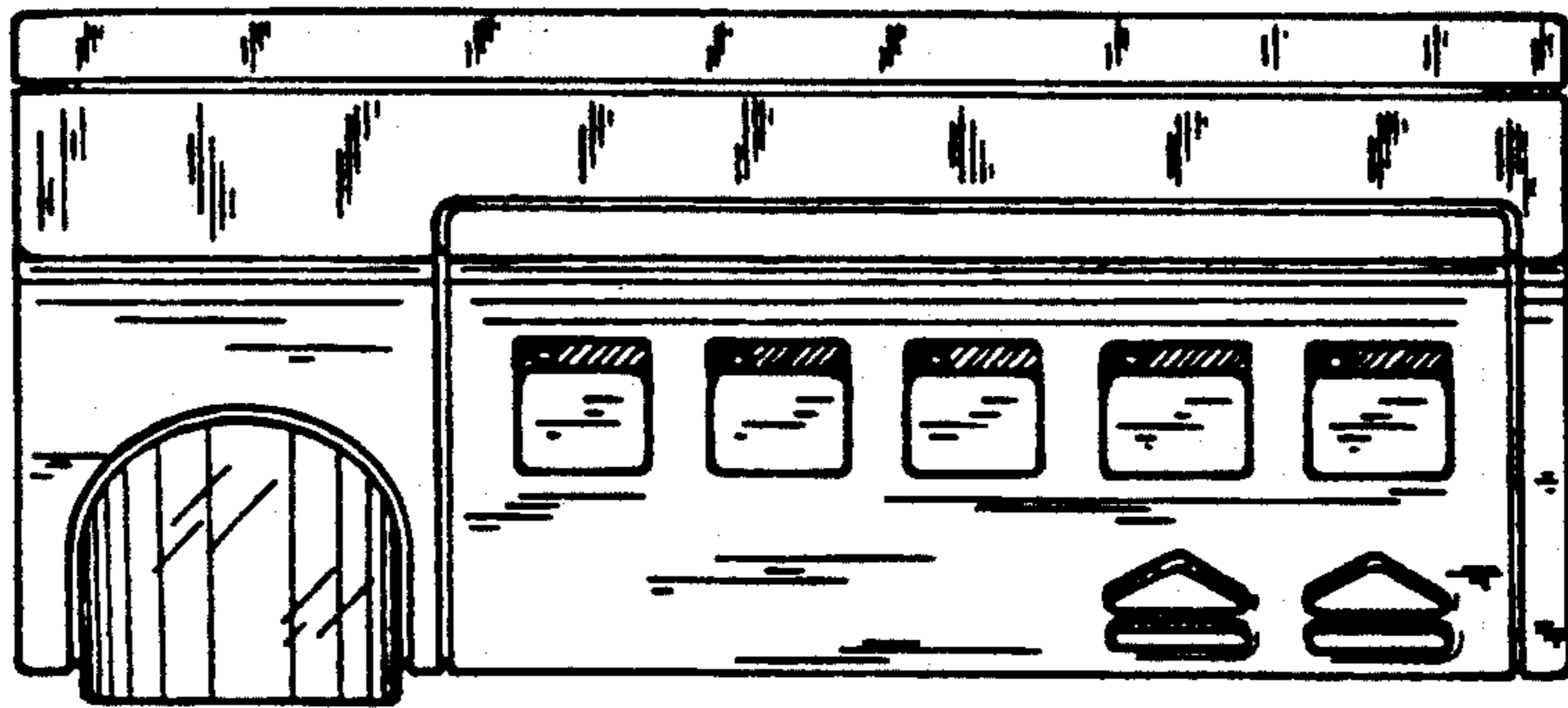


FIG. 6

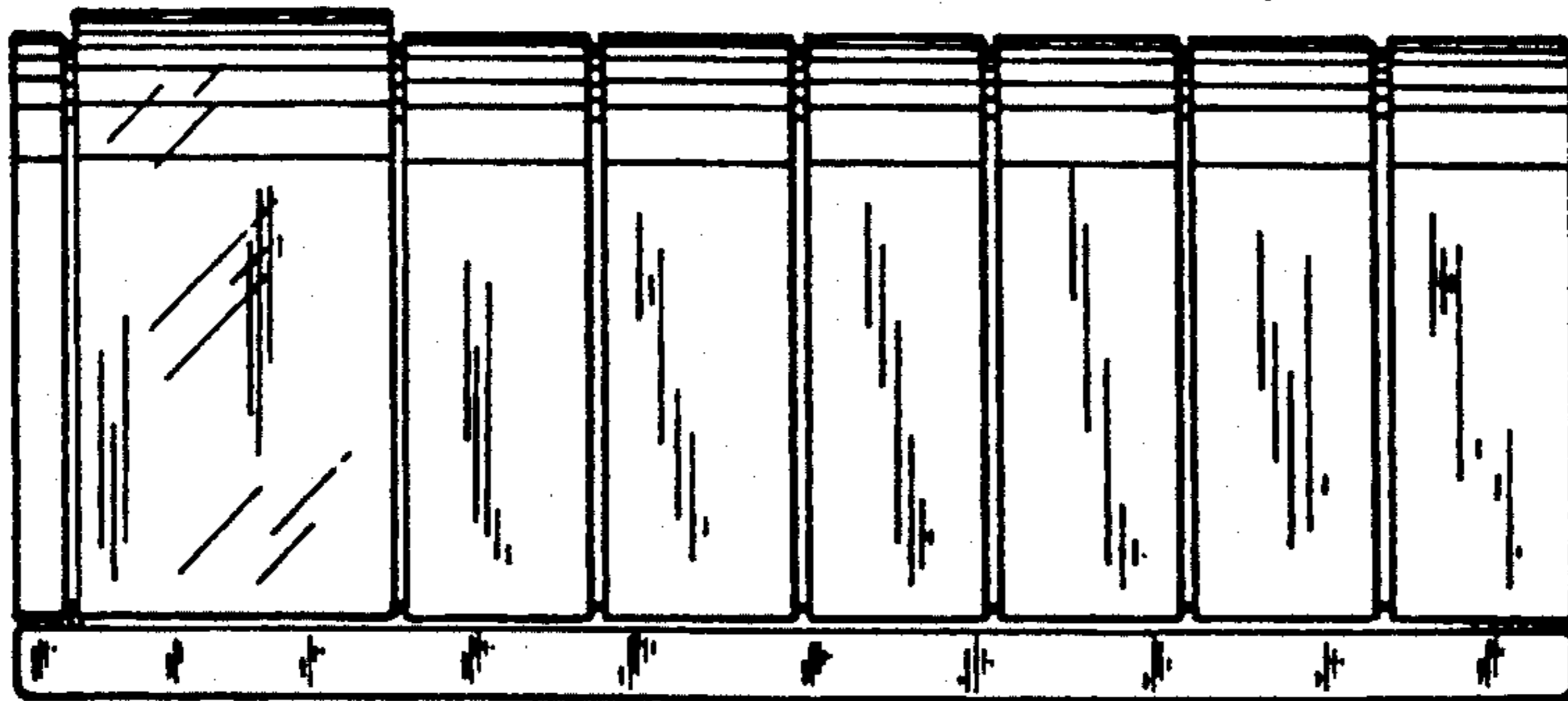


FIG. 7