



US00D335869S

United States Patent [19]

[11] Patent Number: **Des. 335,869**

Iino

[45] Date of Patent: **** May 25, 1993**

[54] **ELECTRONIC COMPUTER**

[75] Inventor: **Masaaki Iino, Yokohama, Japan**

[73] Assignee: **Kabushiki Kaisha Toshiba, Kanagawa, Japan**

[**] Term: **14 Years**

[21] Appl. No.: **629,981**

[22] Filed: **Dec. 19, 1990**

[30] **Foreign Application Priority Data**

Jul. 6, 1990 [JP] Japan 2-22739

[52] U.S. Cl. **D14/106**

[58] Field of Search **D14/100, 101, 106, 113, D14/115; D18/1, 7, 11, 12; 235/145 A, 145 R; 340/700, 706; 341/22, 23; 361/390, 394; 364/708, 709.04**

[56] **References Cited**

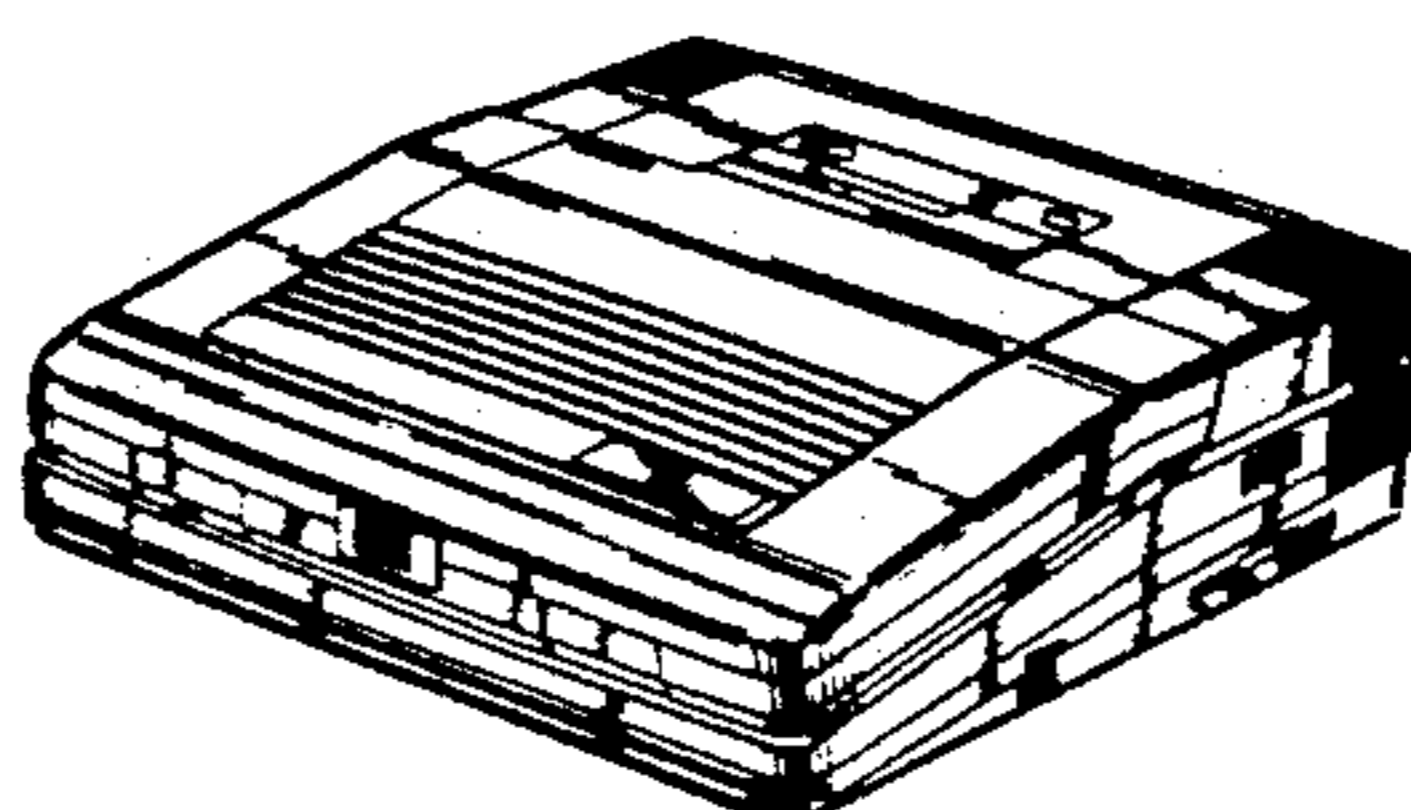
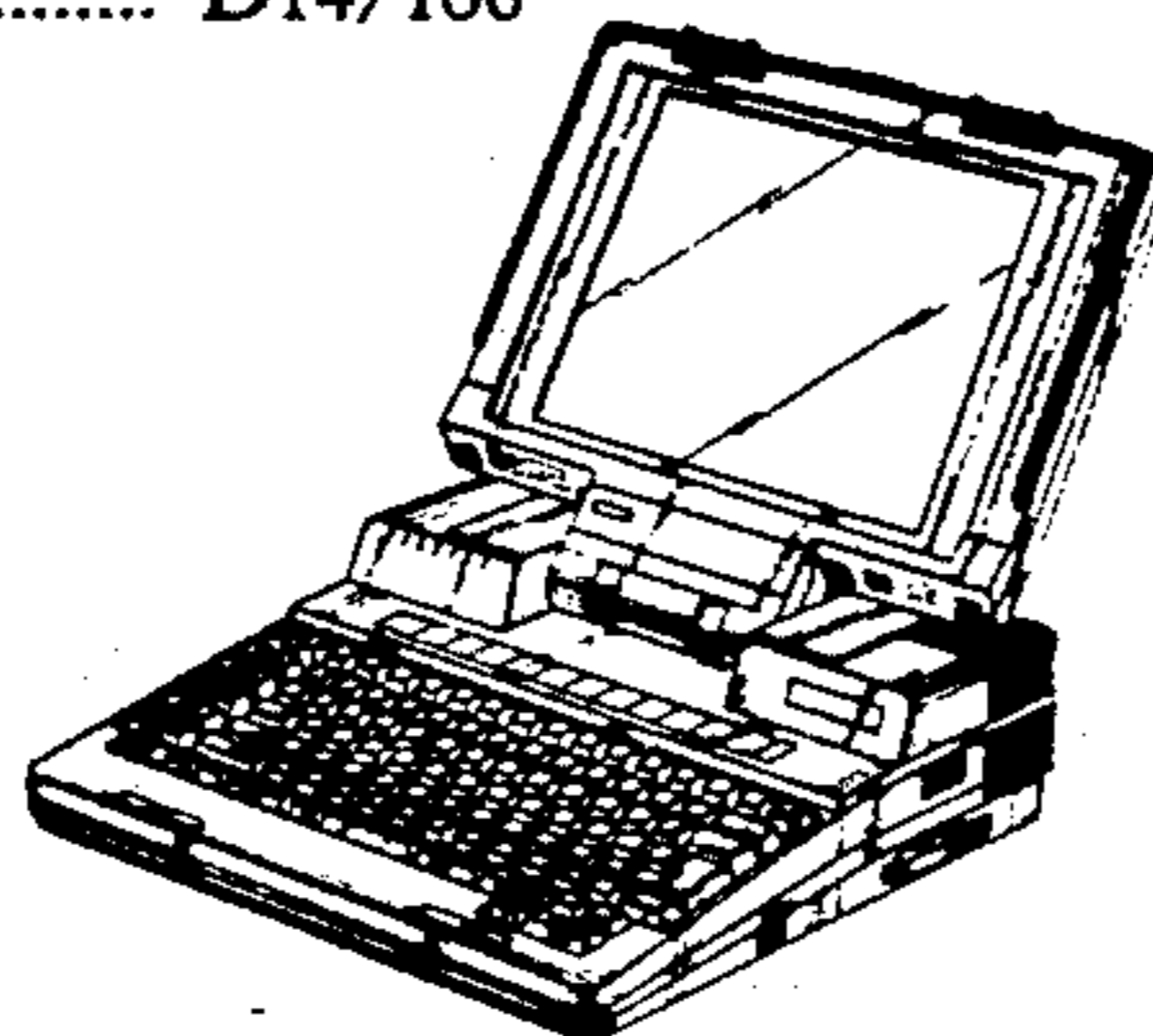
U.S. PATENT DOCUMENTS

D. 224,784	7/1972	Sucre et al.	D26/5
D. 243,250	2/1977	Hazama	D18/1
D. 254,005	1/1980	Zadock et al.	D14/43
D. 269,529	6/1983	Luen	D19/22
D. 275,102	8/1984	MacConnel	D14/106
D. 280,511	9/1985	Moggridge et al.	D14/106
D. 280,622	9/1985	Moggridge et al.	D14/100
D. 282,843	3/1986	Kurihara et al.	D14/100
D. 283,511	4/1986	Dunn	D14/106
D. 284,193	6/1986	Marshall	D14/101
D. 284,474	7/1986	Sawada	D14/100
D. 284,966	8/1986	Larkins	D14/100
D. 287,969	1/1987	Kusanagi	D14/106
D. 288,566	3/1987	Chin et al.	D14/106
D. 289,177	4/1987	Sawada	D18/7
D. 289,763	5/1987	Fujii et al.	D14/106
D. 290,256	6/1987	Sapper et al.	D14/106
D. 290,609	6/1987	Harlan et al.	D14/100
D. 290,845	7/1987	Yubisui et al.	D14/111
D. 291,442	8/1987	Kurihara	D14/106
D. 293,677	1/1988	Hara et al.	D14/106
D. 293,678	1/1988	Sawatani et al.	D14/106
D. 294,029	2/1988	Nishiyama et al.	D14/106
D. 294,831	3/1988	Hara et al.	D14/106
D. 295,176	4/1988	Nishimoto et al.	D14/106
D. 295,519	3/1988	Kimble	D14/106
D. 298,623	11/1988	Yubisui et al.	D14/100
D. 299,031	12/1988	Sugano	D14/106

D. 303,250	9/1989	Ver Nooy et al.	D14/106
D. 303,523	9/1989	Shiozawa et al.	D14/106
D. 303,790	10/1989	Kato et al.	D14/106
D. 304,930	12/1989	Hongo et al.	D14/100
D. 305,883	2/1990	Burton	D14/106
D. 306,285	2/1990	Yu	D14/106
D. 307,581	5/1990	Ooshima	D14/106
D. 308,050	5/1990	Sugano et al.	D14/106
D. 308,051	5/1990	Sakai	D14/106
D. 308,516	6/1990	Takach, Jr., et al.	D14/106
D. 308,860	6/1990	Tsukada et al.	D14/106
D. 308,861	6/1990	Tsukada et al.	D14/106
D. 309,603	7/1990	Mizusugi et al.	D14/106
D. 309,749	8/1990	Ido	D18/7
D. 310,353	9/1990	Sugano et al.	D14/106
D. 310,517	9/1990	Hara et al.	D14/106
D. 310,828	9/1990	Grundstrom et al.	D14/106
D. 311,527	10/1990	Fujii et al.	D14/106
D. 311,528	10/1990	Sugano et al.	D14/106
D. 311,741	10/1990	Sakai	D14/106
D. 311,906	11/1990	Iino	D14/106
D. 312,822	12/1990	Watabe et al.	D14/106
D. 313,978	1/1991	Miyakuni	D14/106
D. 314,558	2/1991	Iino	D14/106
D. 316,706	5/1991	Imamura et al.	D14/106
D. 316,852	5/1991	Sai et al.	D14/106
D. 317,442	6/1991	Gintz et al.	D14/106
D. 317,444	6/1991	Mizusugi et al.	D14/106
D. 319,819	9/1991	Kawaguchi	D14/106
D. 321,176	10/1991	Ma	D14/106
D. 322,246	12/1991	Izaki	D14/100
D. 323,156	1/1992	Nishida	D14/101
D. 324,035	2/1992	Izaki	D14/100
D. 324,036	2/1992	Wakasa	D14/101
D. 324,038	2/1992	Izaki	D14/106
D. 324,674	3/1992	Iino	D14/106
4,703,160	10/1987	Narishima et al.	235/1D

FOREIGN PATENT DOCUMENTS

100708	6/1988	China .
100709	6/1988	China .
101093	7/1988	China .
M8800660	10/1988	Fed. Rep. of Germany .
M8803410	12/1989	Fed. Rep. of Germany .
M8803411	12/1989	Fed. Rep. of Germany .
M8908516	7/1990	Fed. Rep. of Germany .
47-14961	5/1972	Japan .
499866	4/1979	Japan .
639216	11/1984	Japan .
650470	5/1985	Japan .



684172	8/1986	Japan .	Panasonic FW-U1EX Advertisement Oct. 2, 1987.
684172(1)	8/1986	Japan .	Nihon IBM 55 Model 5535 Oct. 19, 1987.
685063	8/1986	Japan .	NEC Minitel 5 Advertisement Oct. 29, 1987.
685121	8/1986	Japan .	Rein Laptop 300 SLC Advertisement Oct. 29, 1987.
685542	8/1986	Japan .	Sharp Advertisement May 19, 1976.
686374	9/1986	Japan .	Fanuc System P-Model Jul. 27, 1983.
686381	9/1986	Japan .	Moebel Interior Design Jan. 5, 1984.
686386	9/1986	Japan .	The Office 98-6 Jan. 31, 1984.
686654	9/1986	Japan .	Demus 645 Feb. 22, 1984.
686658	9/1986	Japan .	MRD Advertisement Mar. 29, 1984.
686706	9/1986	Japan .	Gavilan Mobile Computer Brochure Apr. 19, 1984.
685000(1)	12/1986	Japan .	Picture #JP016870 May 8, 1984.
695931	12/1986	Japan .	Hewlett Packard Advertisement May 18, 1984.
696188	1/1987	Japan .	Hewlett Packard Advertisement Jun. 5, 1984.
697328	1/1987	Japan .	Epson HC-88 Jul. 1, 1984.
763838	6/1988	Japan .	Hitachi Advertisement Sep. 4, 1984.
685121(1)	10/1988	Japan .	Hewlett Packard Advertisement Sep. 12, 1984.
747990	11/1988	Japan .	Sharp PC-5000 Brochure Sep. 26, 1984.
747991	11/1988	Japan .	Data General One Advertisement Sep. 28, 1984.
748513	11/1988	Japan .	Apple Computer Apple IIC Oct. 15, 1984.
749802	11/1988	Japan .	TI Software Journal, Pro-Lite TM Nov. 14, 1984.
746985(1)	4/1989	Japan .	IS-11c Advertisement Nov. 14, 1984.
746985(2)	4/1989	Japan .	Dulmont Magnum Article in Portable Computer Nov. 1984.
761927	5/1989	Japan .	Tandy 200 1985.
763840	6/1989	Japan .	General Corp. 4400 Jan. 14, 1985.
763855	6/1989	Japan .	AVAL TM Advertisement Feb. 11, 1985.
761927(1)	2/1990	Japan .	Picture #J60007802 Feb. 26, 1985.
761927(2)	5/1990	Japan .	AVAL TM20 Mar. 8, 1985.
761927(3)	5/1990	Japan .	Tandy 200 Mar. 16, 1985.
761927(4)	6/1990	Japan .	NEC Starlet PC-8401A Brochure Mar. 28, 1985.
67297	2/1987	Rep. of Korea .	C & D News Mar. 29, 1985.
85031	10/1988	Rep. of Korea .	Hewlett-Packard HP110 Apr. 1985.
85032	10/1988	Rep. of Korea .	Fujitsu FM 16 Apr. 17, 1985.
92859	7/1989	Rep. of Korea .	Fujitsu FM16 TL Brochure May 22, 1985.
92863	7/1989	Rep. of Korea .	Data General One Brochure May 23, 1985.
94470	9/1989	Rep. of Korea .	Toshiba T 1100 Plus Jul. 22, 1985.
97355	12/1989	Rep. of Korea .	Minato Electronics MODS-5000 Aug. 22, 1985.
100917	4/1990	Rep. of Korea .	Ricoh JP70D Brochure Sep. 29, 1986.
			Data General One Brochure Oct. 3, 1986.
			Article re IBM Portable Personal Computer Oct. 15, 1986.
			IBM 5540/5535 Brochure Nov. 4, 1987.
			NEC PC-9800 Advertisement Nov. 27, 1987.
			Panasonic U1EX Advertisement Dec. 8, 1987.
			Schneider Multivision 300 SLC Catalog 1988.

OTHER PUBLICATIONS

NEC PC-98LT Advertisement Oct. 23, 1986.
Yaskawa P-t50 Advertisement Nov. 12, 1986.
Yaskawa Memocon ®-SC GL20 Advertisement Mar. 27, 1987.
TI Advertisement in Telephony Apr. 1, 1987.
Data General One Model 2J Brochure May 20, 1987.
Hitachi B16LX Brochure Aug. 31, 1987.
Ricoh Brochure Sep. 17, 1987.
Sony Produce 100 Brochure Sep. 18, 1987.

Panasonic UIPro Jan. 4, 1988.
 Diagnostic Products Review Jan. 2, 1988.
 Toshiba E & E News Feb. 26, 1988.
 Seiko-Epson PC-286L Mar. 2, 1988.
 Toshiba JW90FII Rupo Brochure Mar. 3, 1988.
 Hitachi B16LX Brochure Apr. 5, 1988.
 Sony Produce PJ-100EX Brochure Apr. 5, 1988.
 WS Japanese Advertisement Apr. 27, 1988.
 NEC Multispeed Spring 1988.
 Samsung S5200 May 10, 1988.
 Datavue Snap 1+1 May 10, 1988.
 Portable Computer Review, p. 32 May 10, 1988.
 GridCase 1530 Advertisement May 10, 1988.
 NEC MultiSpeed EL Model 2 Brochure May 10, 1988.
 Sharp PC-5000 Brochure May 12, 1988.
 Japanese Advertisement May 12, 1988.
 Sanyo ES 100 May 13, 1988.
 NEC PC-9801 LV 21 Brochure May 13, 1988.
 Sharp WV-500 May 19, 1988.
 Panafacom C-250 LT Brochure May 19, 1988.
 Sony Produce 100EX Advertisement May 19, 1988.
 Panasonic Panacom 6000 LT Brochure Jun. 7, 1988.
 NEC Mini 5 Carrywood Brochure Jun. 27, 1988.
 Ricoh JP90LX Brochure Jun. 28, 1988.
 NEC Mini 5 HL Brochure Jun. 30, 1988.
 NEC PC-98 LT Brochure Jul. 14, 1988.
 NEC PC-9801 LX5C Brochure Aug. 23, 1988.
 Kyosera 386AX Sep. 1988.
 Sharp AX286L Sep. 29, 1988.
 NEC PC-9801 Oct. 26, 1988.
 Sanyo MBC-17LTJ Oct. 1988.
 Toshiba T 1600 Nov. 1988.
 Sanyo MBC 17LTJH Nov. 28, 1988.
 Oki "IF 386 AX" Dec. 9, 1988.
 Kyosera 386-SX Laptop AX Jan. 10, 1989.
 Seiko-Epson PC-286LS Feb. 16, 1989.
 Halikan LA-22, LA-30 Apr. 21, 1989.
 NEC PC-9801 LV21 May 13, 1989.
 Fujitsu G-150LT May 19, 1989.
 Visual Computer Brochure.
 Gavilan Mobile Computer Brochure.
 Olivetti Personal Computer M15 Brochure.
 Epson HC-88, HC80 Brochure.
 Epson PX-8 Personal Computer Brochure.
 Mitsubishi mp286L Laptop Personal Computer Brochure.

Grid Brochure.
 Dauphin Laptop Computer Brochure.
 MicroDIRECT Brochure.
 SuperSport Brochure.
 Panasonic KX-D4930 Advertisement.
 Ampere WS-1 Advertisement.
 NEC Contrast.
 NEC Starlet PC-8401A Advertisement.
 Victor Technologies, V 286 P Catalog.
 GridCase Brochure Sep. 24, 1985.
 FBS Advertisement Oct. 30, 1985.
 NEC N6919 Model 80/80H Nov. 11, 1985.
 IBM Advertisement Nov. 28, 1985.
 Apple Computer IIC Dec. 1985.
 Hewlett-Packard Portable Plus Dec. 1985.
 Fujitsu FM 16 May 21, 1986.
 PC-816F Advertisement May 27, 1986.
 Zenith Data Systems NEWSDATE Newsletter Jun. 7, 1986.
 Tandy 600 Advertisement Jul. 25, 1986.

Primary Examiner—Wallace R. Burke
Assistant Examiner—Freda S. Nunn
Attorney, Agent, or Firm—Banner, Birch, McKie & Beckett

[57]

CLAIM

The ornamental design for an electronic computer, as shown and described.

DESCRIPTION

FIG. 1 is a top, front and right side perspective view of an electronic computer showing my new design;
 FIG. 2 is a front elevational view thereof;
 FIG. 3 is a top plan view thereof;
 FIG. 4 is a left side elevational view thereof;
 FIG. 5 is a bottom plan view thereof;
 FIG. 6 is a rear elevational view thereof;
 FIG. 7 is a top, front and right side perspective view thereof in closed position;
 FIG. 8 is a top, rear and left side perspective view thereof in closed position;
 FIG. 9 is a bottom, front and right side perspective view thereof in closed position showing carrying handle in extruded position; and,
 FIG. 10 is a right side elevational view thereof in closed position.

FIG. 1

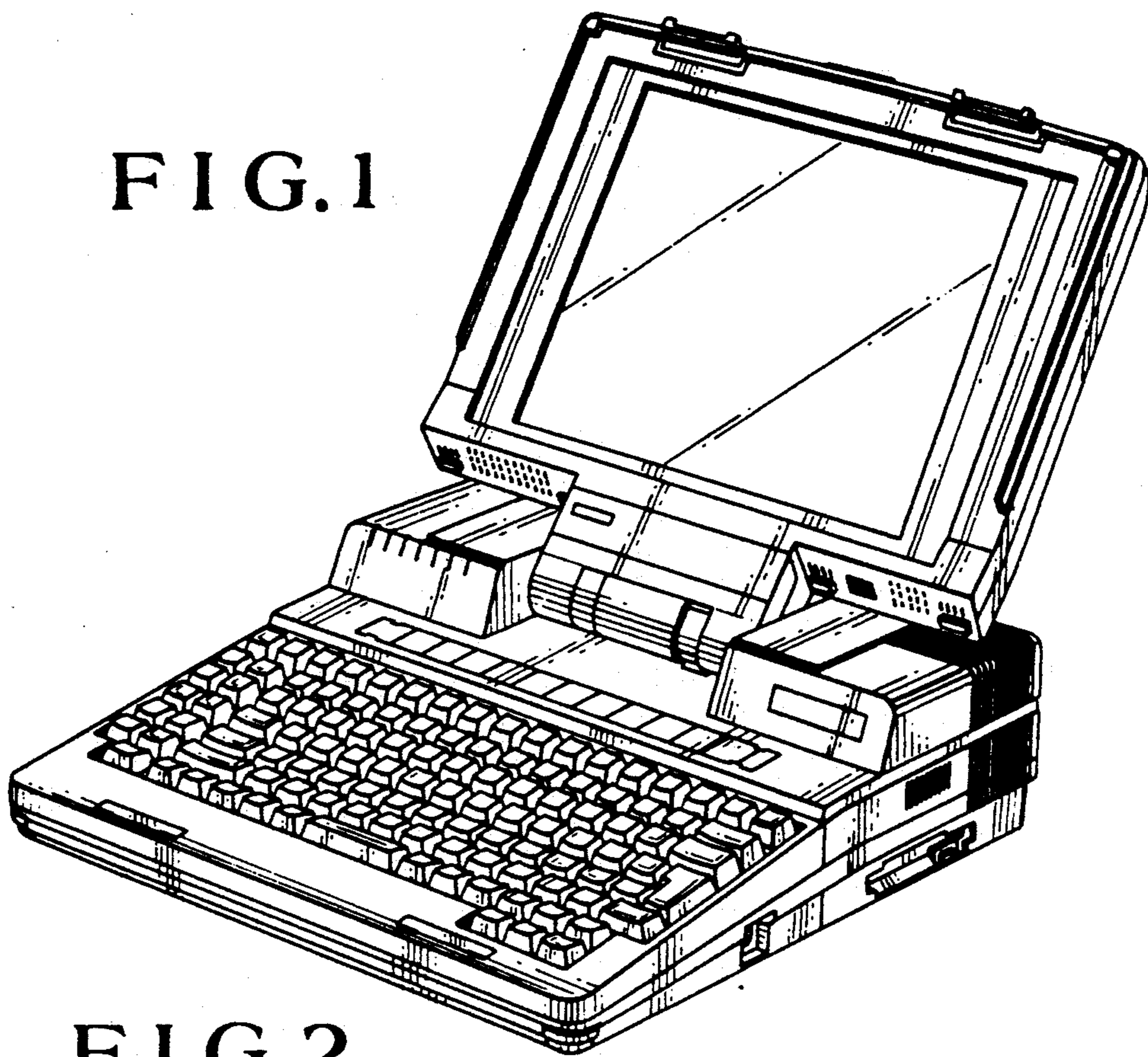


FIG. 2

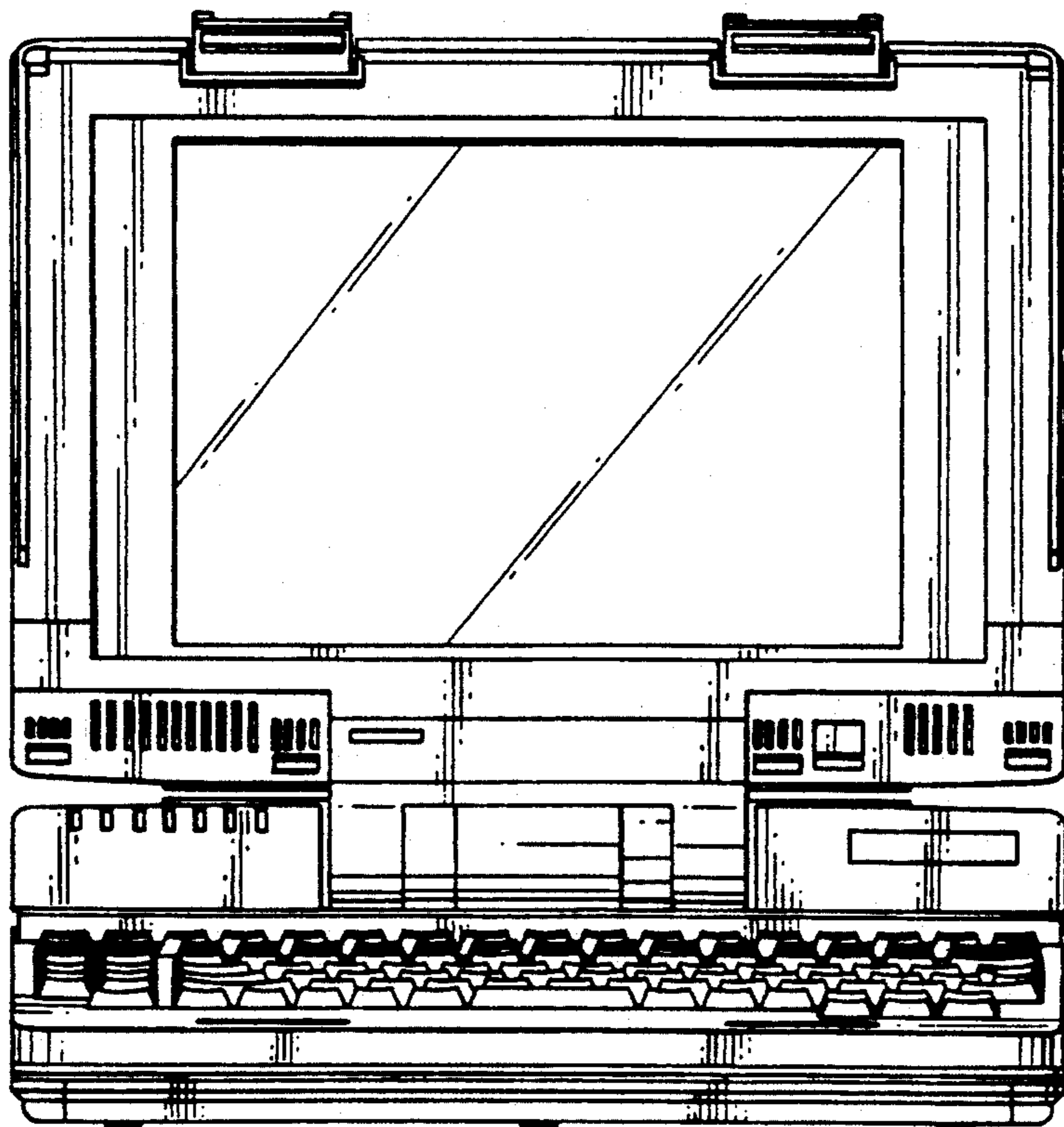


FIG.3

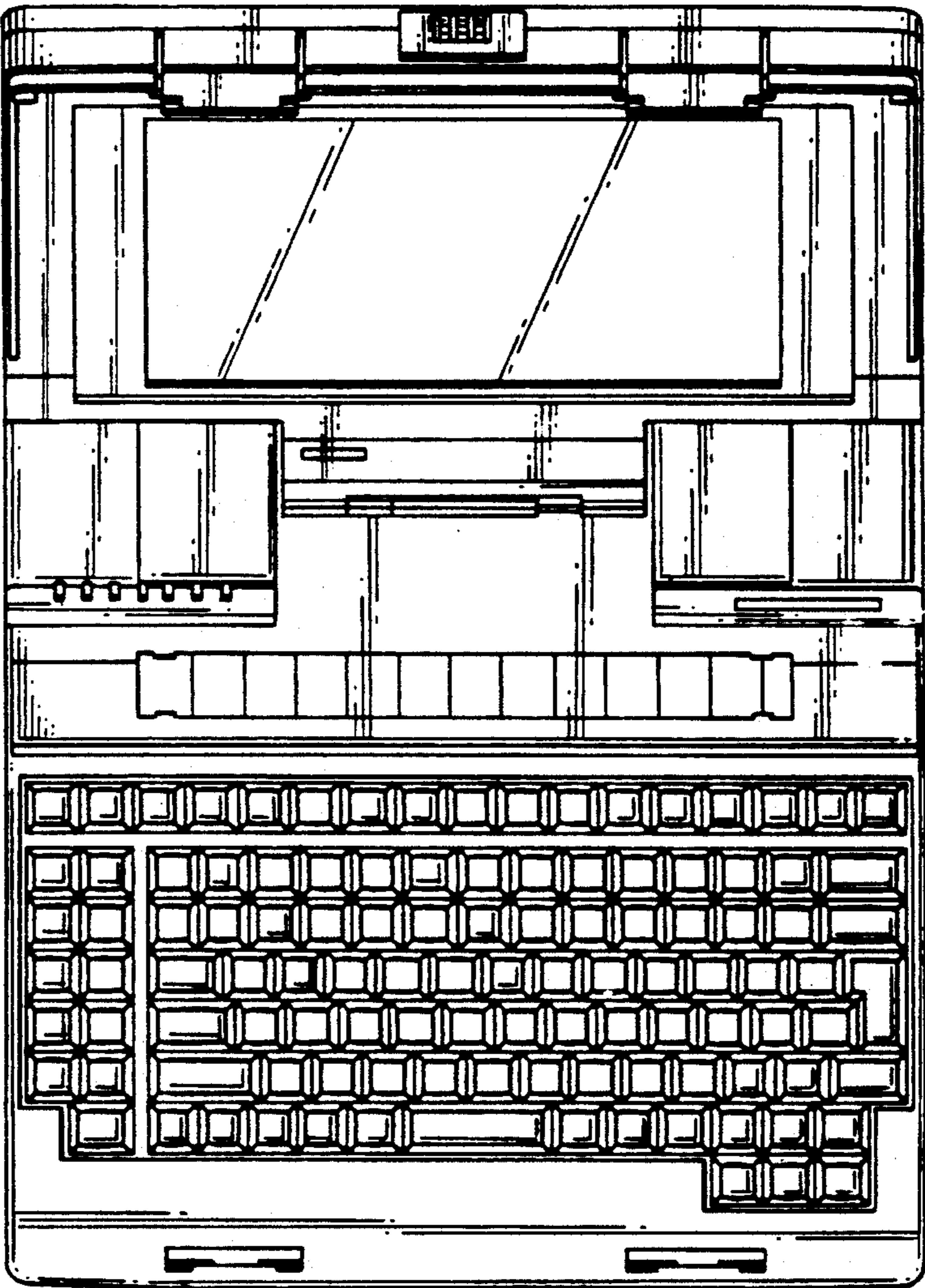


FIG.4

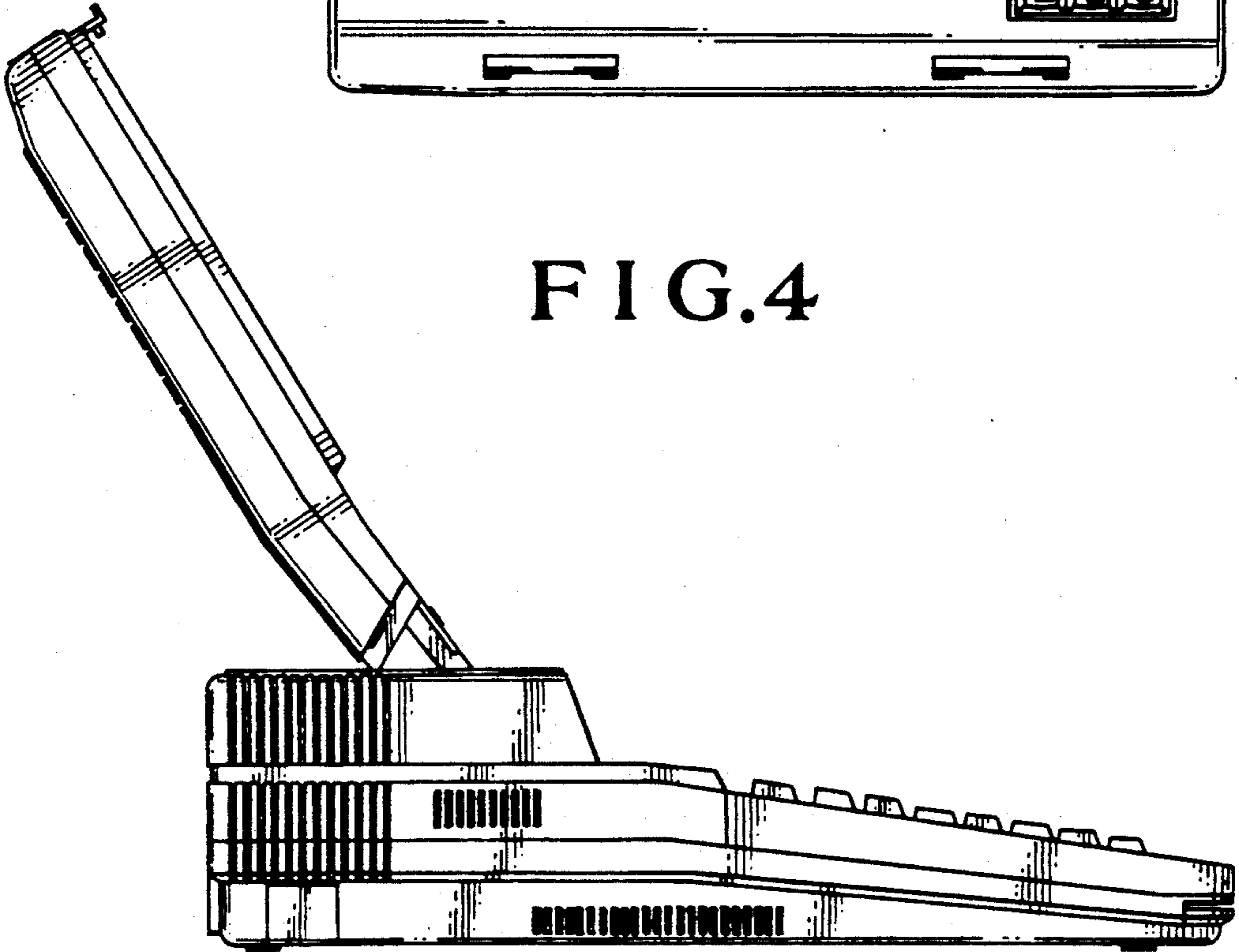


FIG.5

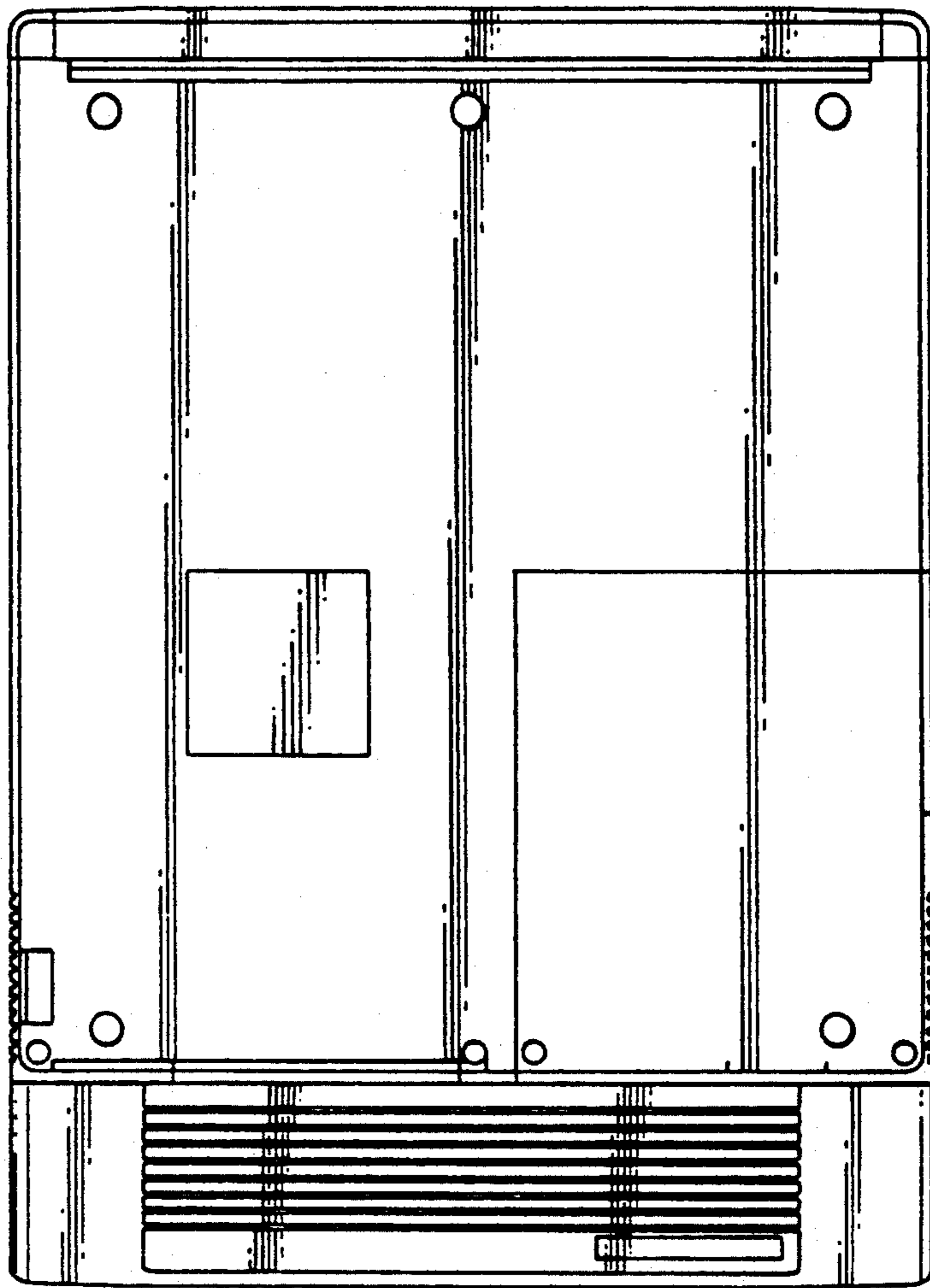


FIG.6

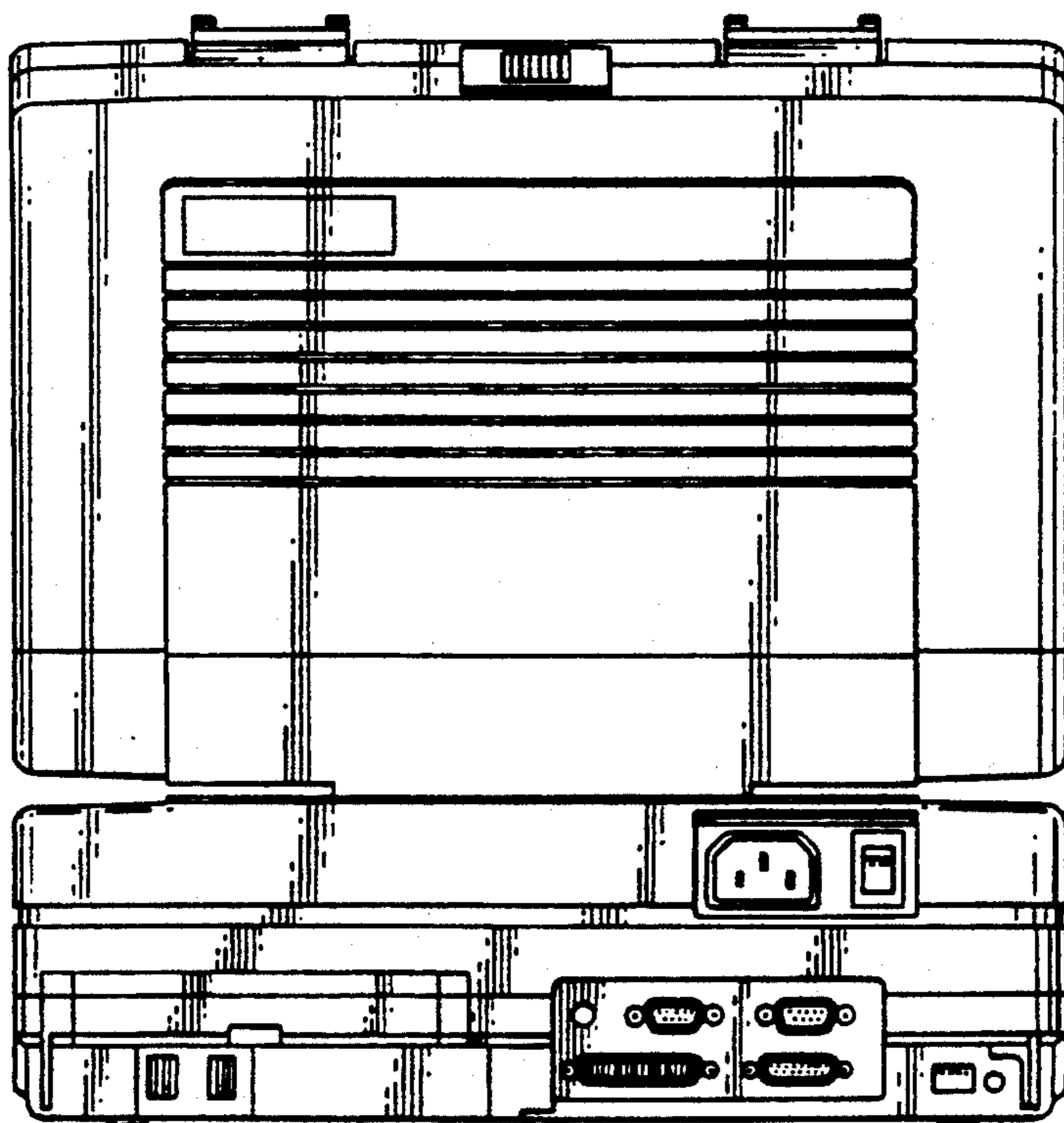


FIG. 7

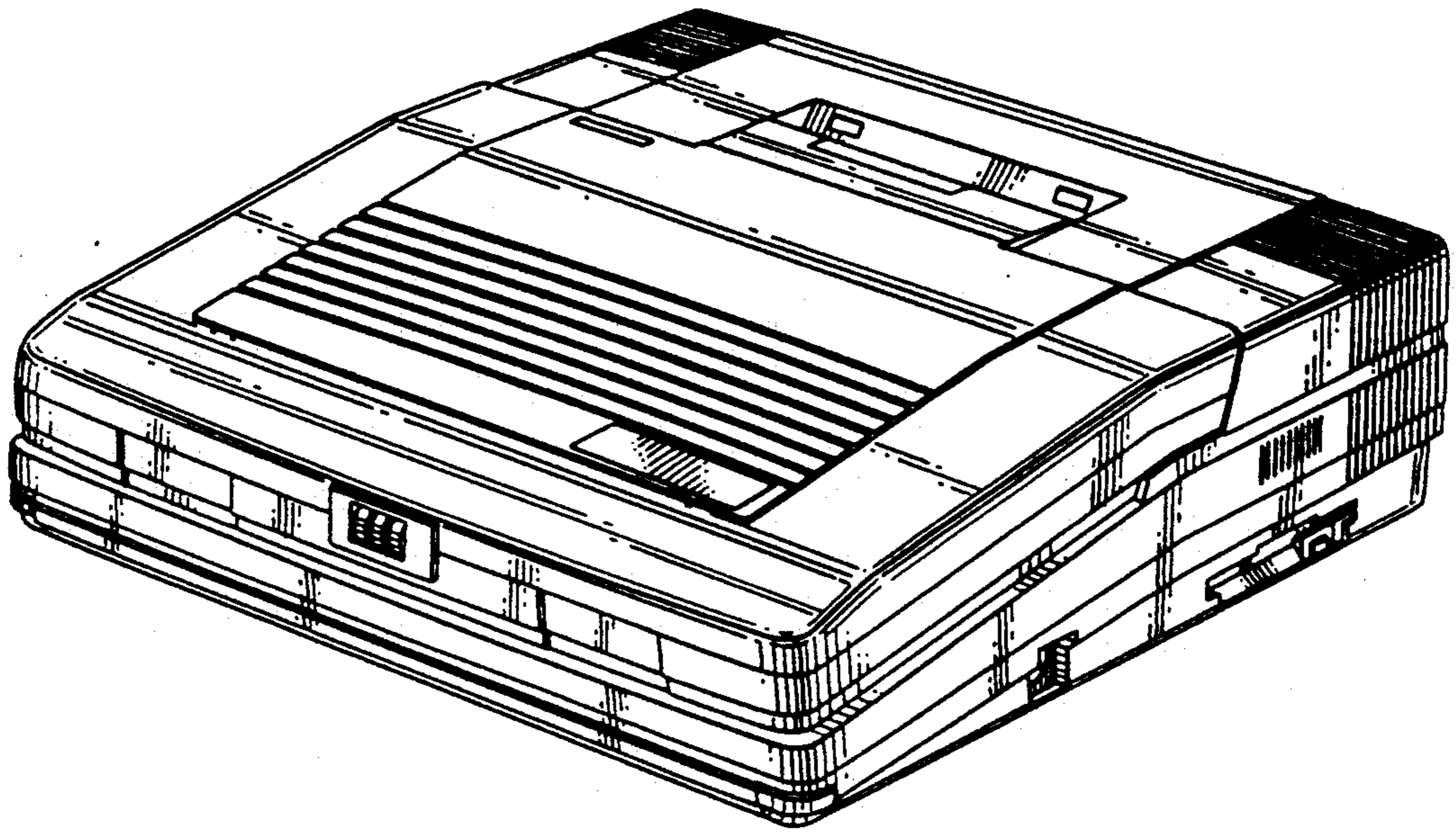


FIG. 8

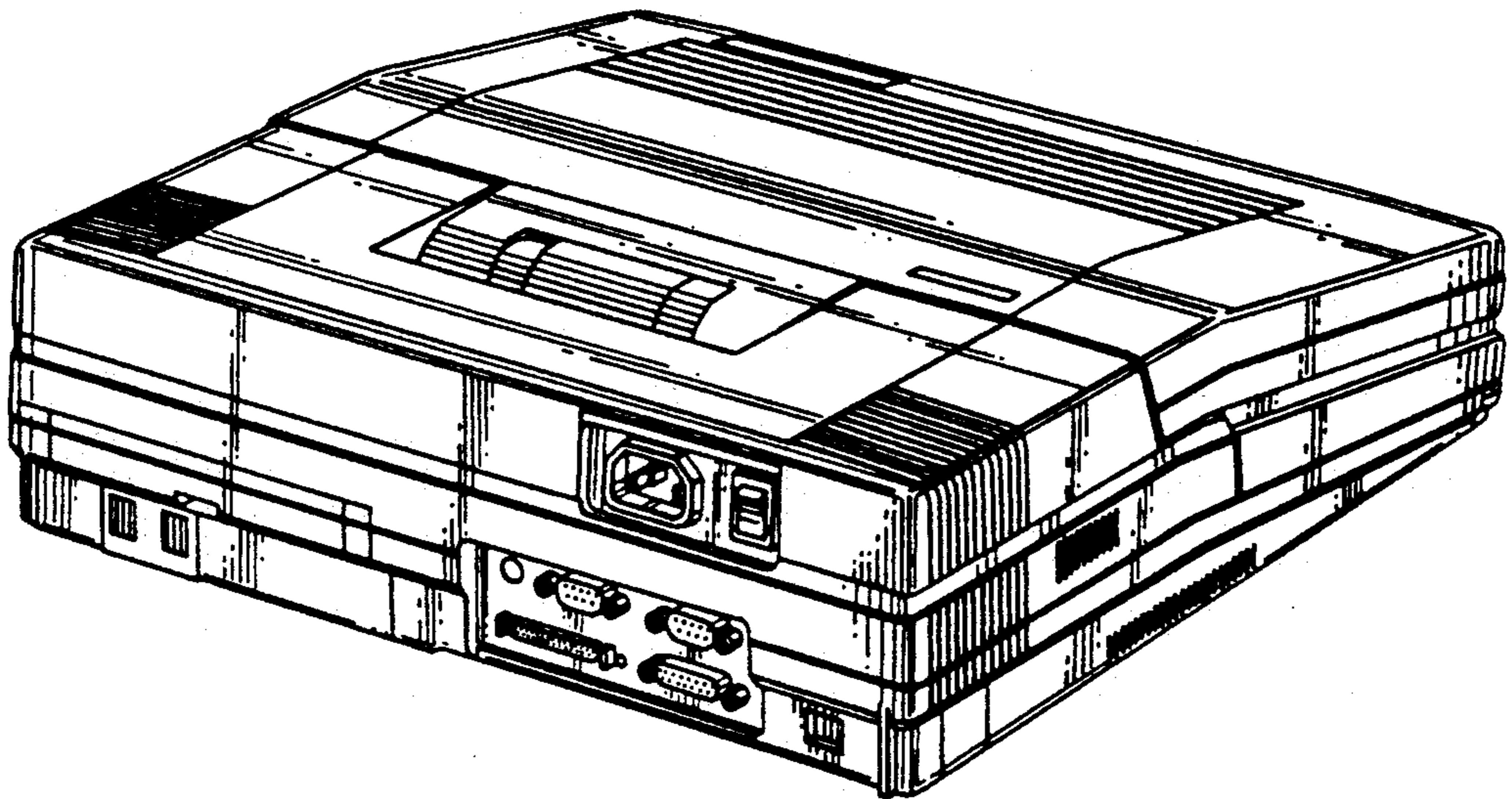


FIG. 9

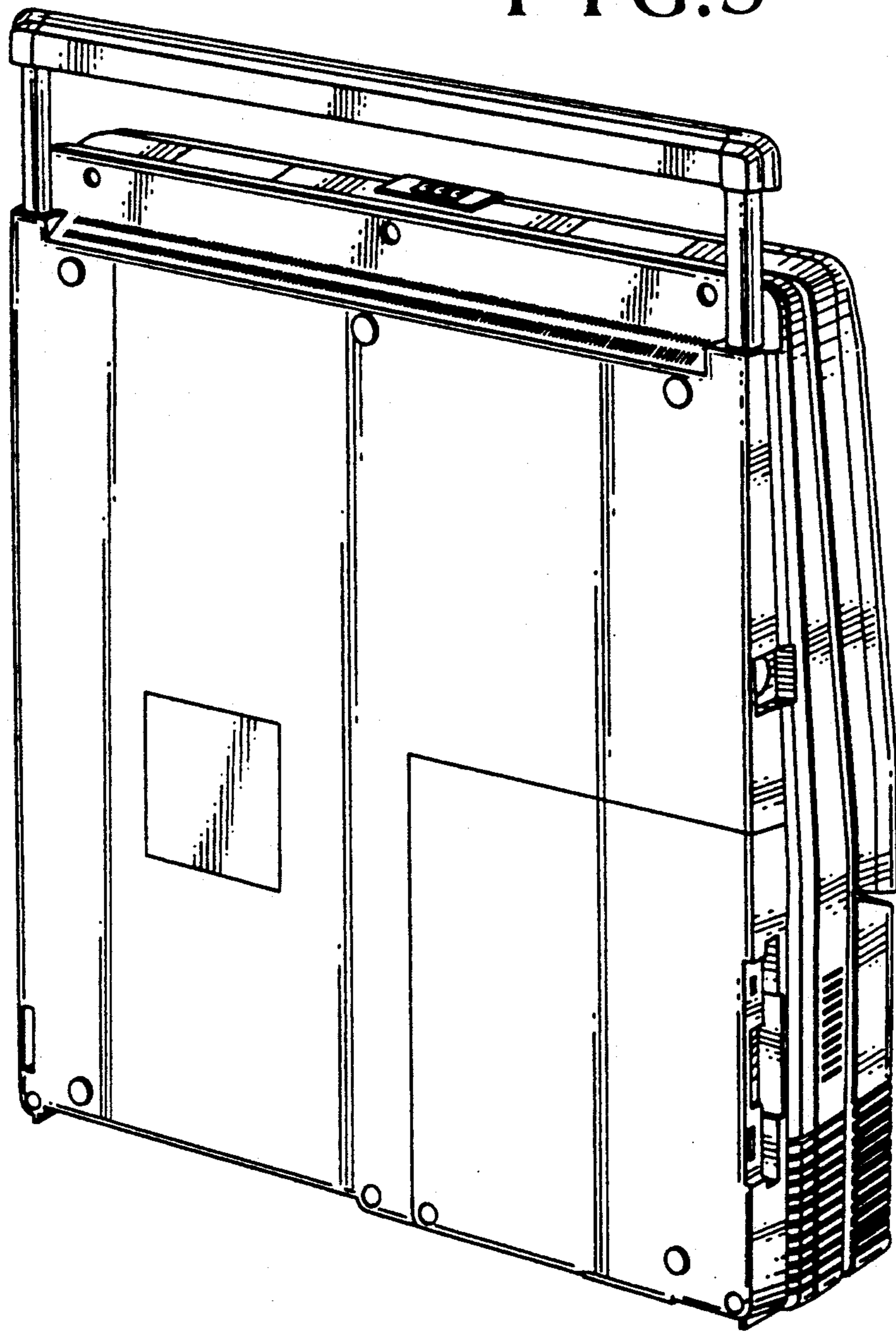


FIG. 10

