



US00D335864S

United States Patent [19]

Kensaku et al.

[11] Patent Number: **Des. 335,864**

[45] Date of Patent: **** May 25, 1993**

[54] **ELECTRICAL CONNECTOR**

4,634,204 1/1987 Dettler et al. 439/352 X
4,993,803 2/1991 Suverison et al. 439/572 X

[75] Inventors: **Naohisa Kensaku; Kensaku Sato,**
both of Tokyo, Japan

FOREIGN PATENT DOCUMENTS

[73] Assignee: **Hirose Electric Co., Ltd., Tokyo,**
Japan

1063578 5/1954 France 439/569

[**] Term: **14 Years**

Primary Examiner—Wallace R. Burke
Assistant Examiner—Joel Sincavage
Attorney, Agent, or Firm—Kanesaka & Takeuchi

[21] Appl. No.: **700,912**

[57] CLAIM

[22] Filed: **May 16, 1991**

The ornamental design for an electrical connector, as shown and described.

[30] Foreign Application Priority Data

Jan. 22, 1991 [JP] Japan 3-1005
[52] U.S. Cl. **D13/133**
[58] Field of Search D13/133, 146, 147;
439/292, 352, 354, 358, 378, 483, 527, 533, 569,
572, 573, 594, 599, 950

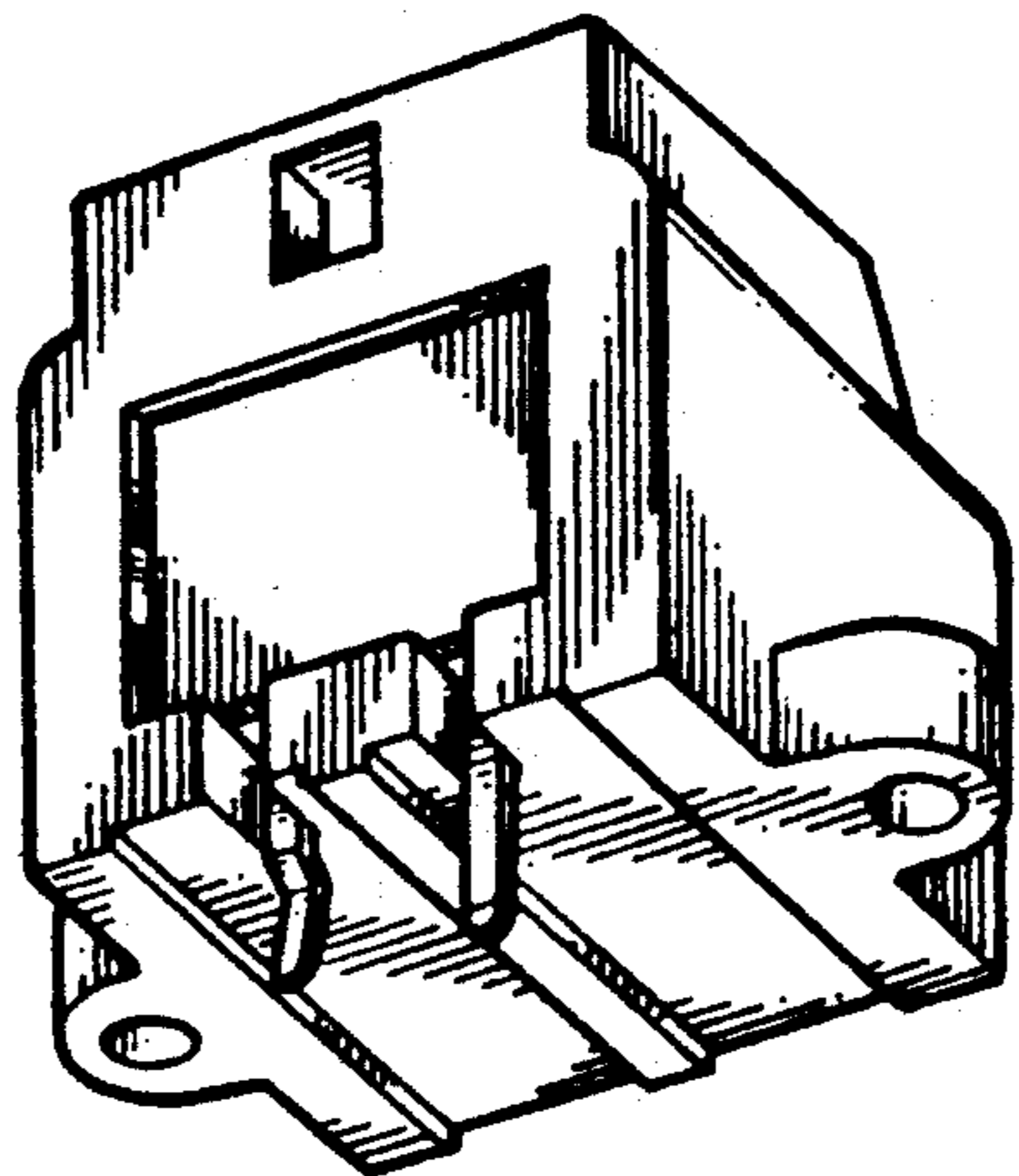
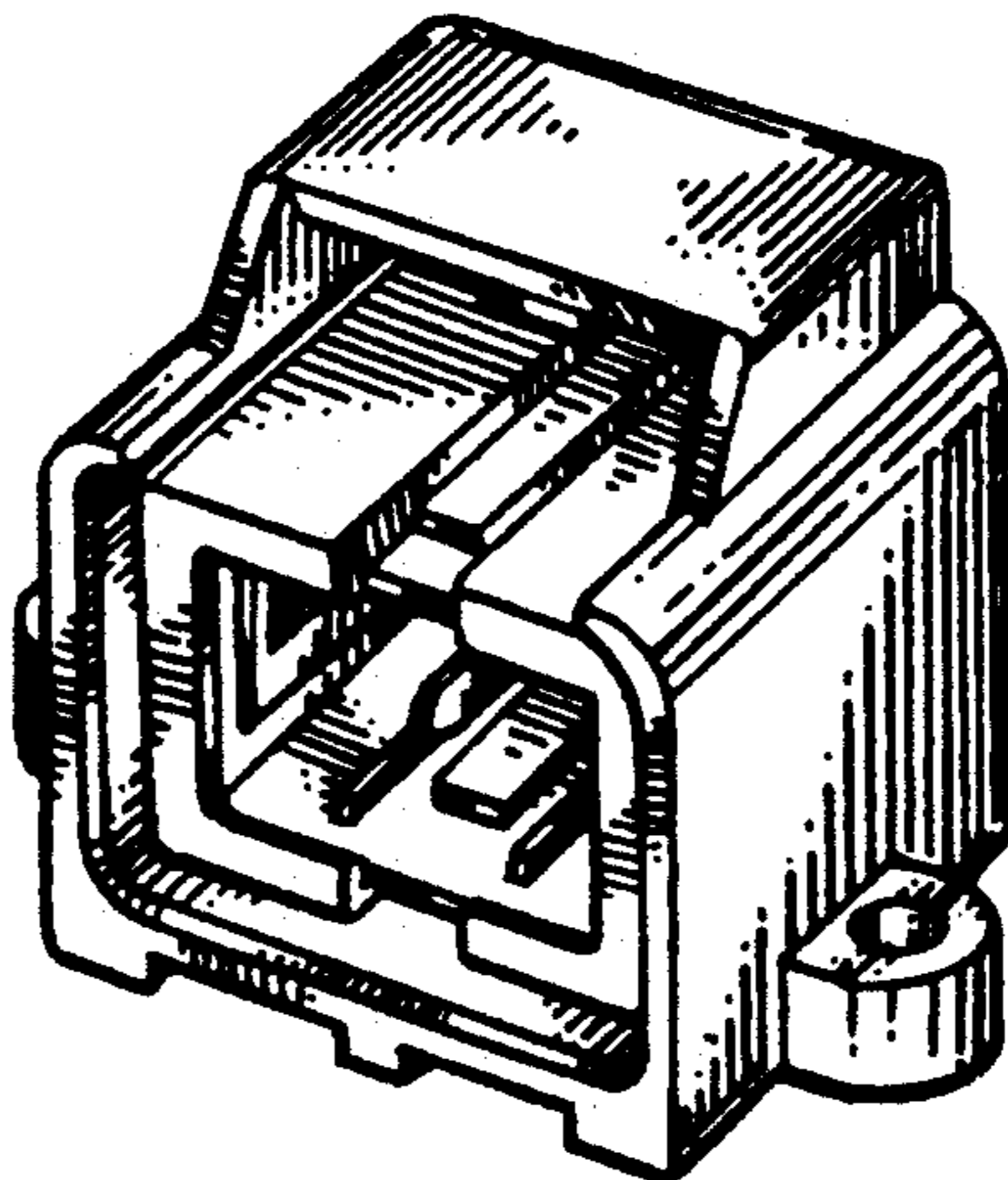
DESCRIPTION

FIG. 1 is a front and upper right perspective view of an electrical connector showing our new design;
FIG. 2 is a top plan view thereof;
FIG. 3 is a side elevational view thereof, the other side being a mirror image;
FIG. 4 is a front elevational view thereof;
FIG. 5 is a rear elevational view thereof;
FIG. 6 is a bottom plan view thereof; and,
FIG. 7 is a rear and lower left perspective view thereof.

[56] References Cited

U.S. PATENT DOCUMENTS

D. 315,545 3/1991 Akaba et al. D13/147



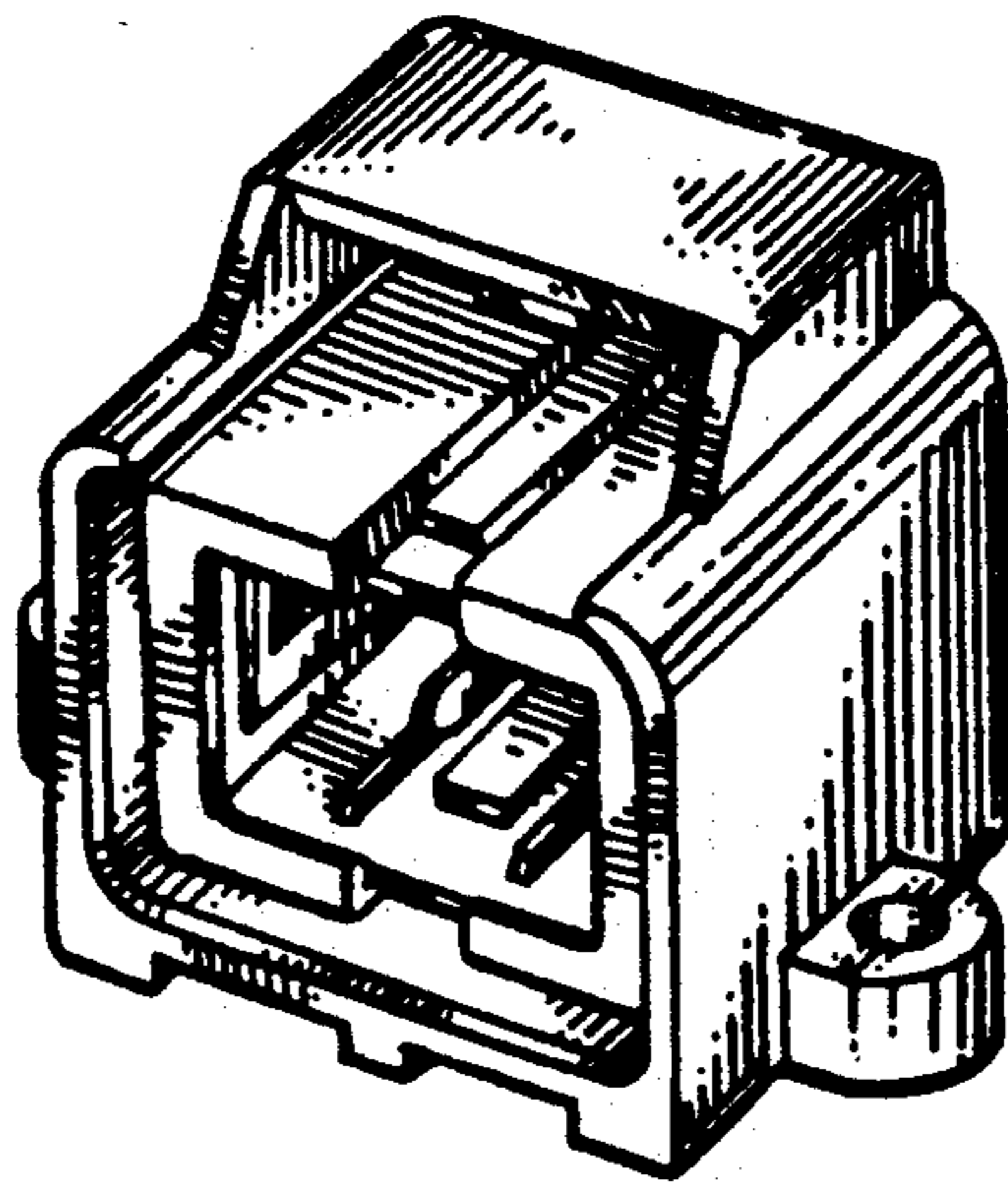


FIG. 1

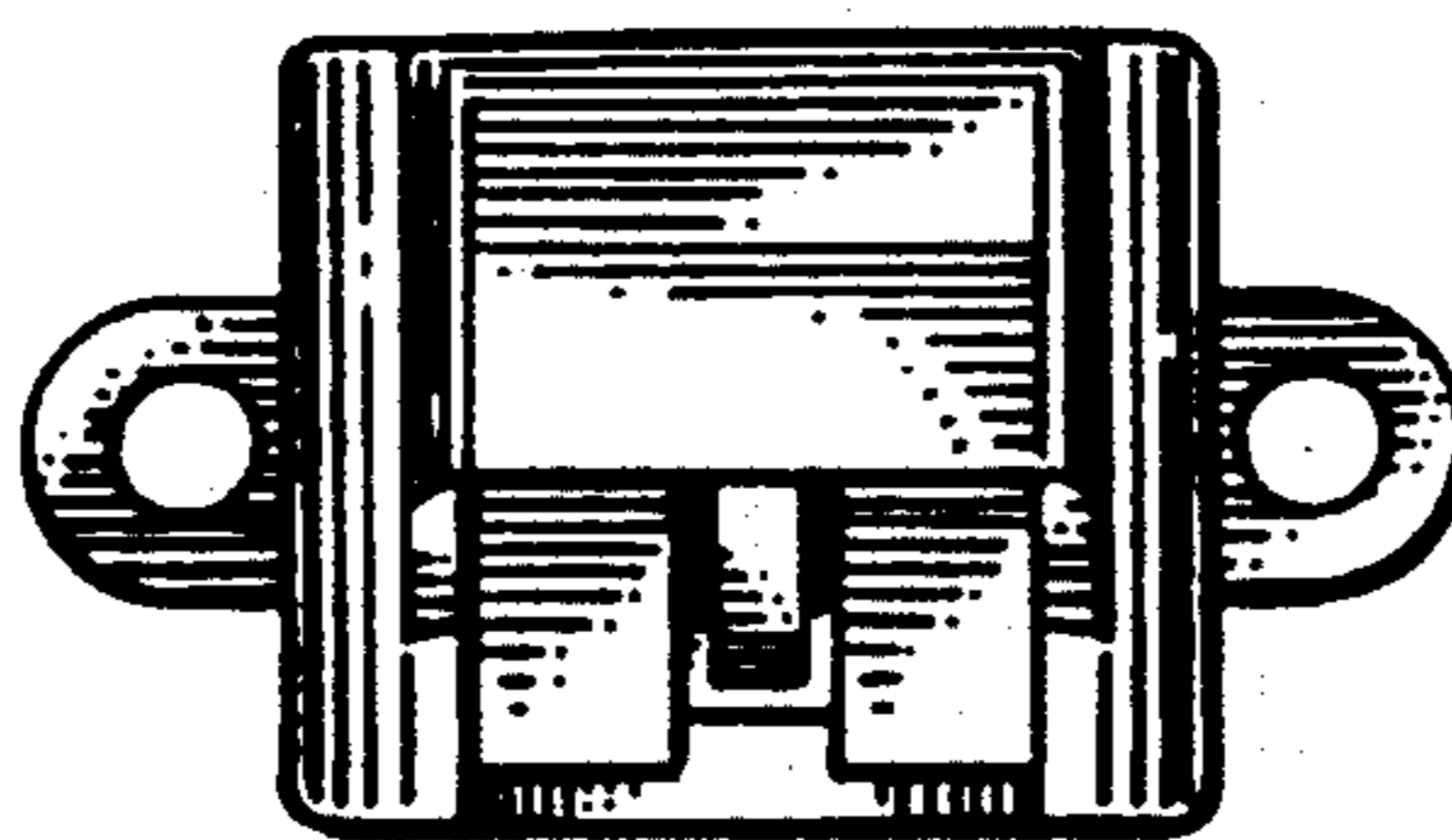


FIG. 2

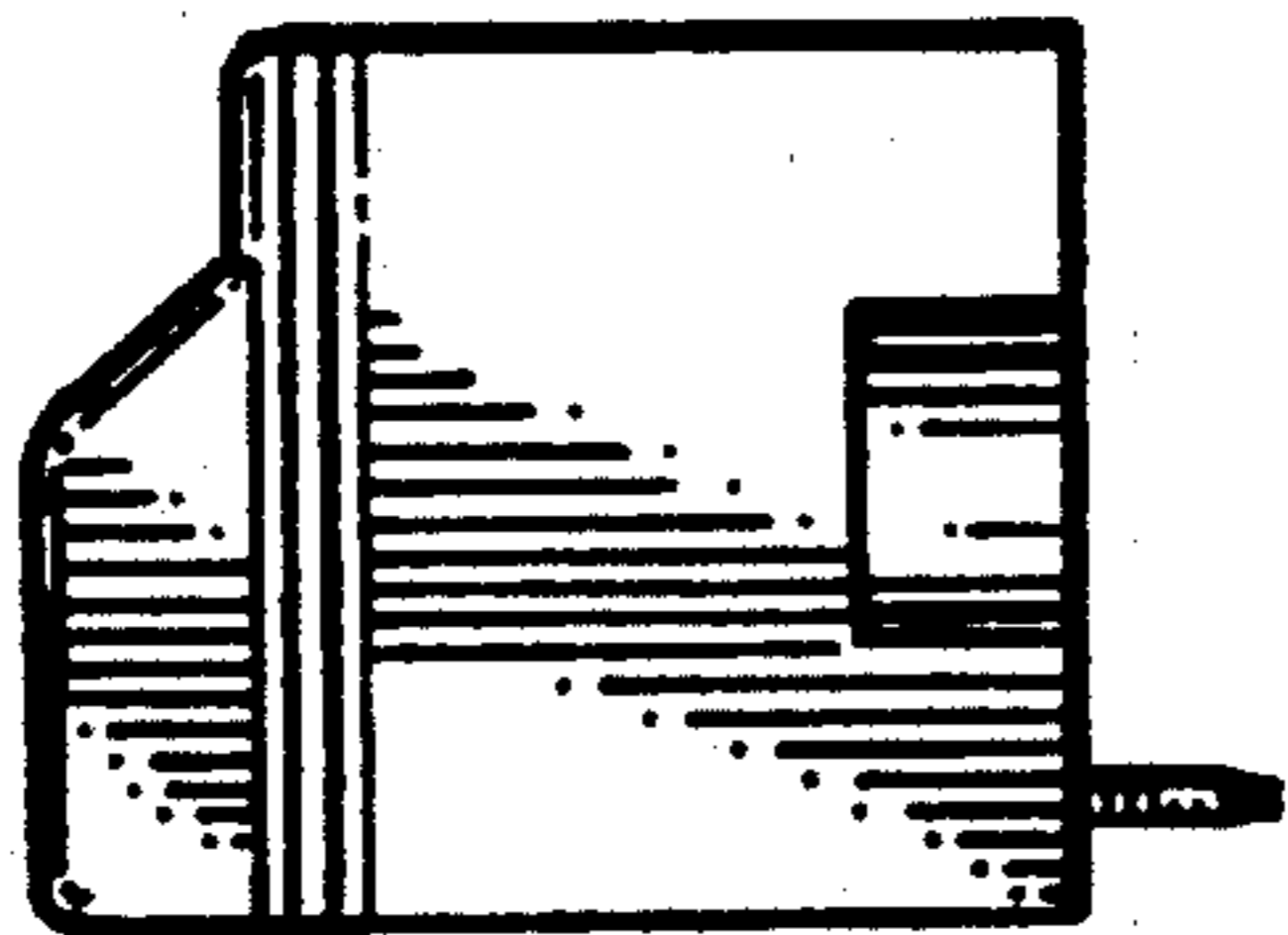


FIG. 3

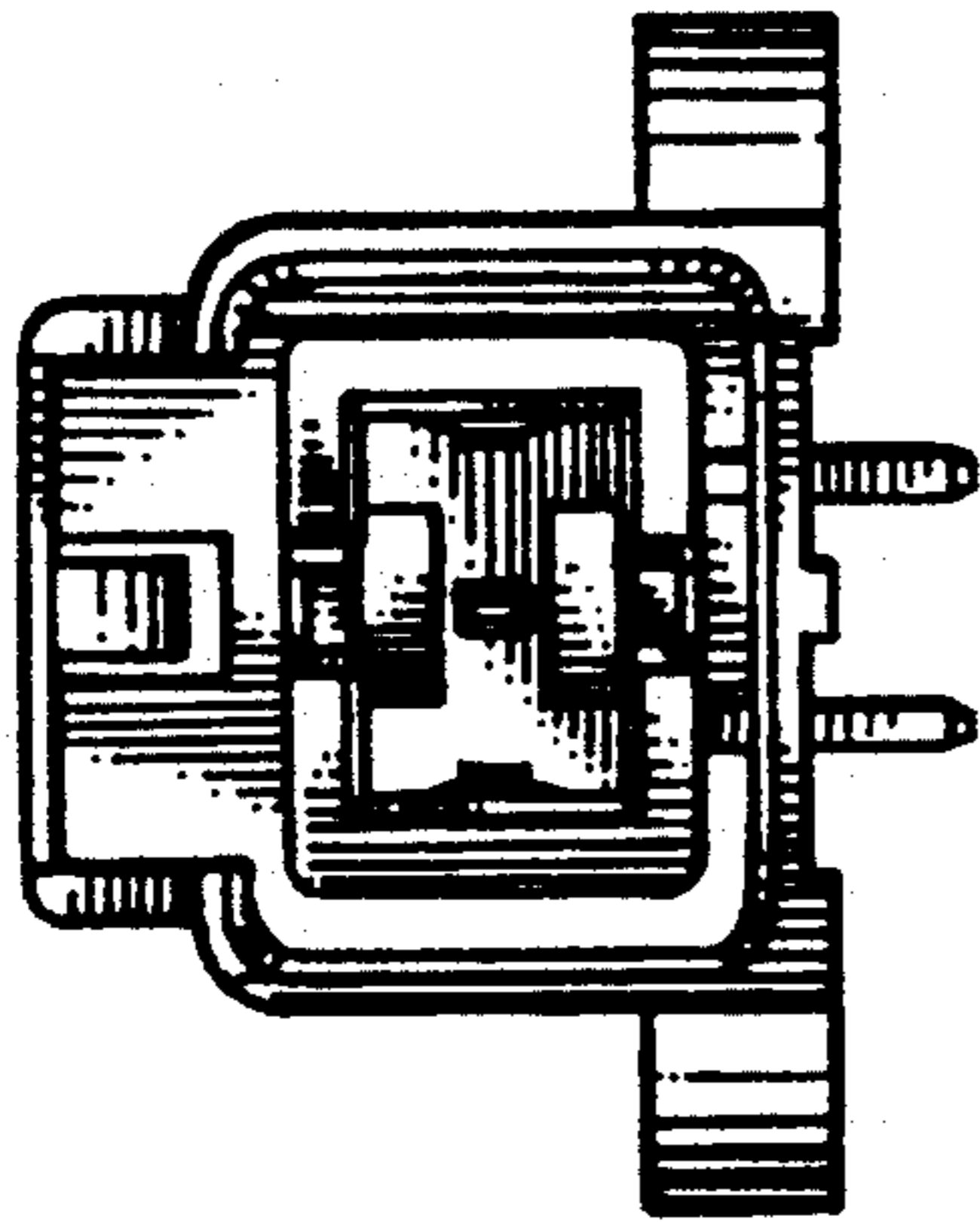


FIG. 4

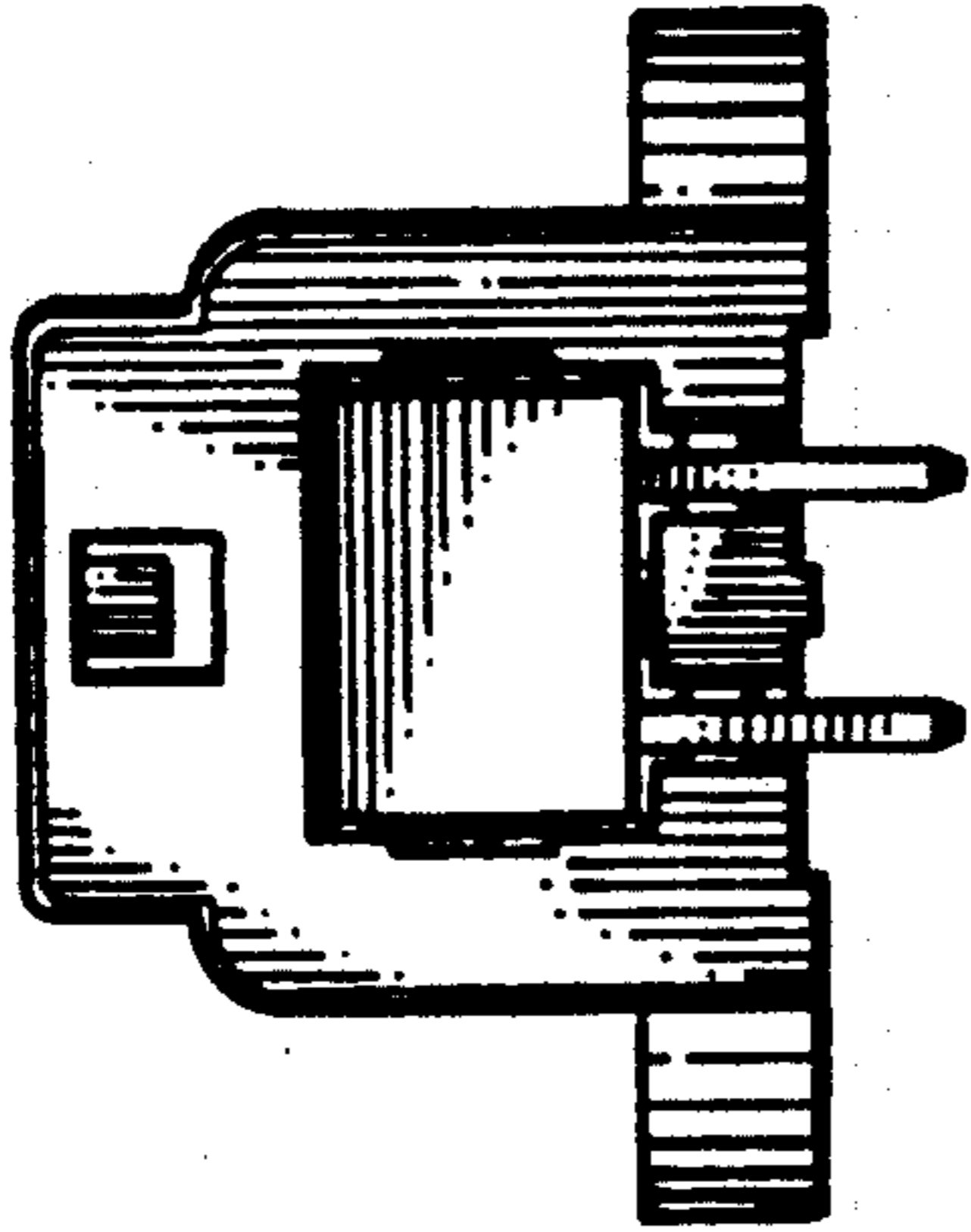


FIG. 5

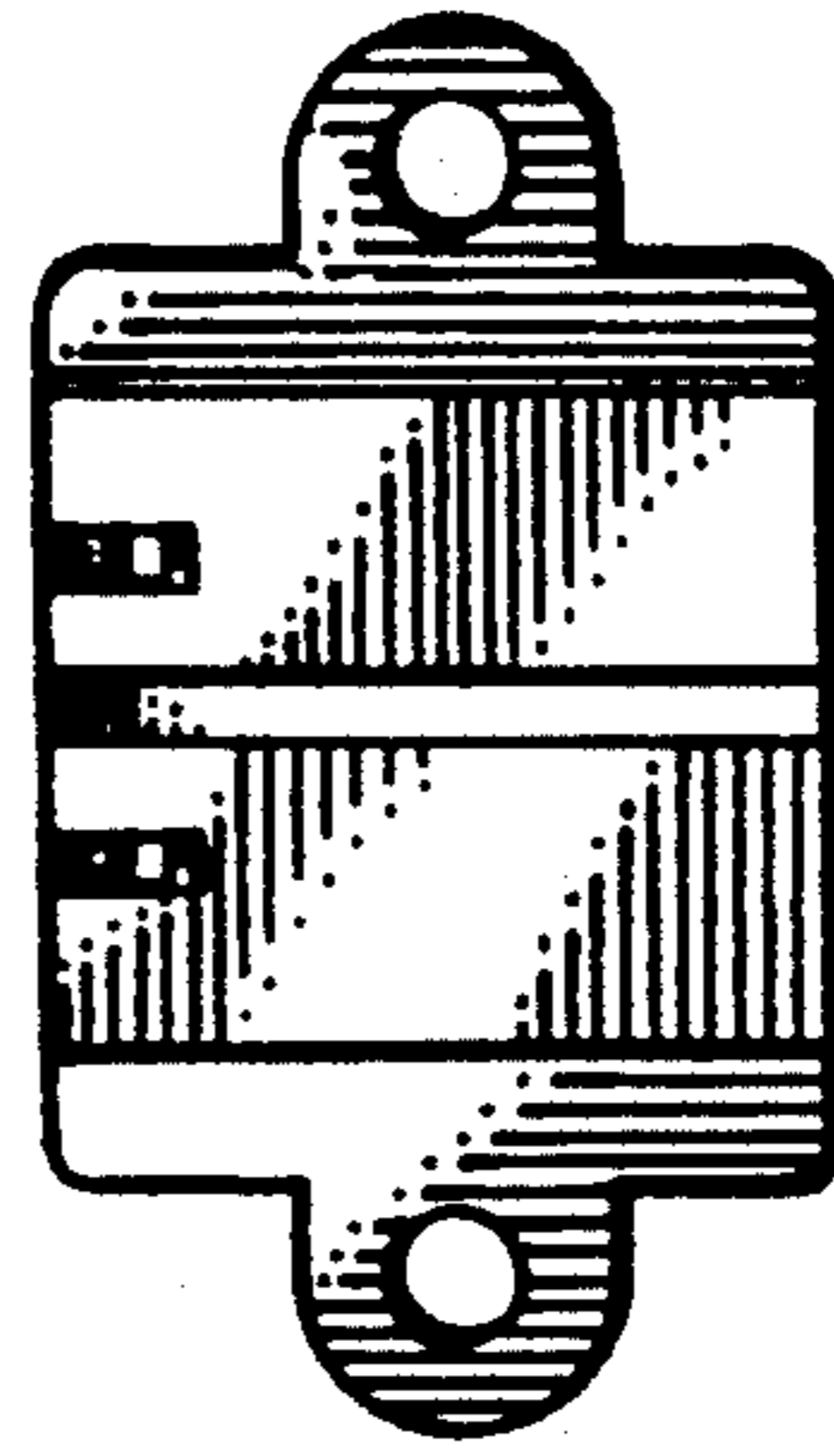


FIG. 6

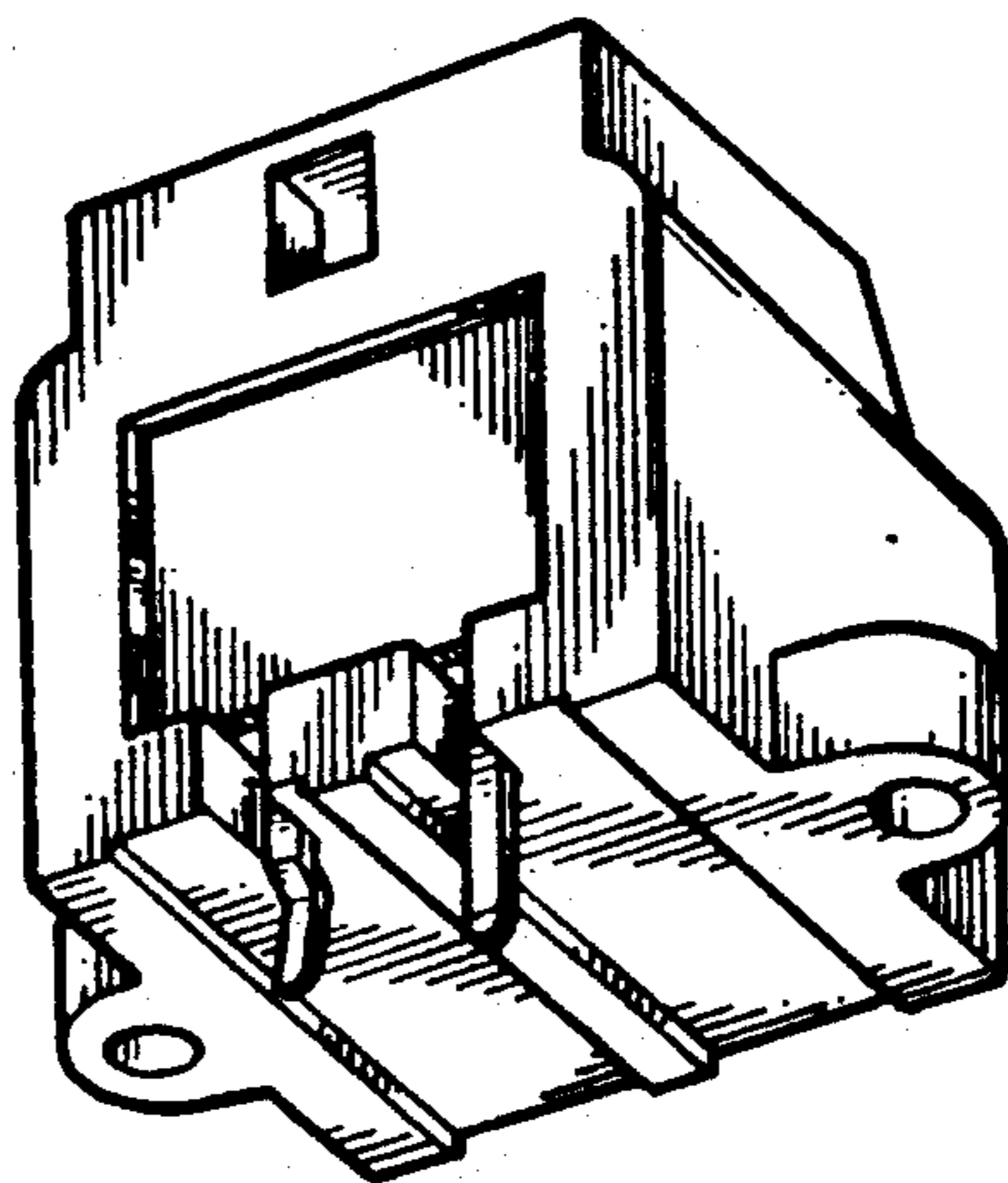


FIG. 7

UNITED STATES PATENT AND TRADEMARK OFFICE
CERTIFICATE OF CORRECTION

PATENT NO. : Des. 335,864
DATED : May 25, 1993
INVENTOR(S) : Naohisa Nakata, et al

It is certified that error appears in the above-identified patent and that said Letters Patent is hereby corrected as shown below:

On the title page, Item [19] "Kensaku et al" should read
--Nakata et al--

Item [75] Inventors: "Naohisa Kensaku" should read --Naohisa
Nakata--

Signed and Sealed this
Twenty-second Day of March, 1994

Attest:



BRUCE LEHMAN

Attesting Officer

Commissioner of Patents and Trademarks