



US00D335858S

# United States Patent [19]

[11] Patent Number: **Des. 335,858**

Traeger

[45] Date of Patent: **\*\* May 25, 1993**

## [54] LICENSE PLATE FRAME

[76] Inventor: **John L. Traeger**, 608 Lakeview Ave., North Mankato, Minn. 56003

[\*\*] Term: **14 Years**

[21] Appl. No.: **705,882**

[22] Filed: **May 28, 1991**

[52] U.S. Cl. .... **D12/193**

[58] Field of Search ..... **D12/193; 40/200, 209, 40/210**

## [56] References Cited

### U.S. PATENT DOCUMENTS

D. 96,198	7/1935	Osbrink	.....	D12/193
D. 163,421	5/1951	Rothman	.....	D12/193
2,910,793	11/1959	Helmer et al.	.....	40/209

Primary Examiner—James M. Gandy

## [57] CLAIM

The ornamental design for a license plate frame, as shown and described.

## DESCRIPTION

FIG. 1 is a front elevation view of a license plate frame showing my new design;

FIG. 2 is a top plan view thereof the bottom being a mirror image of that shown;

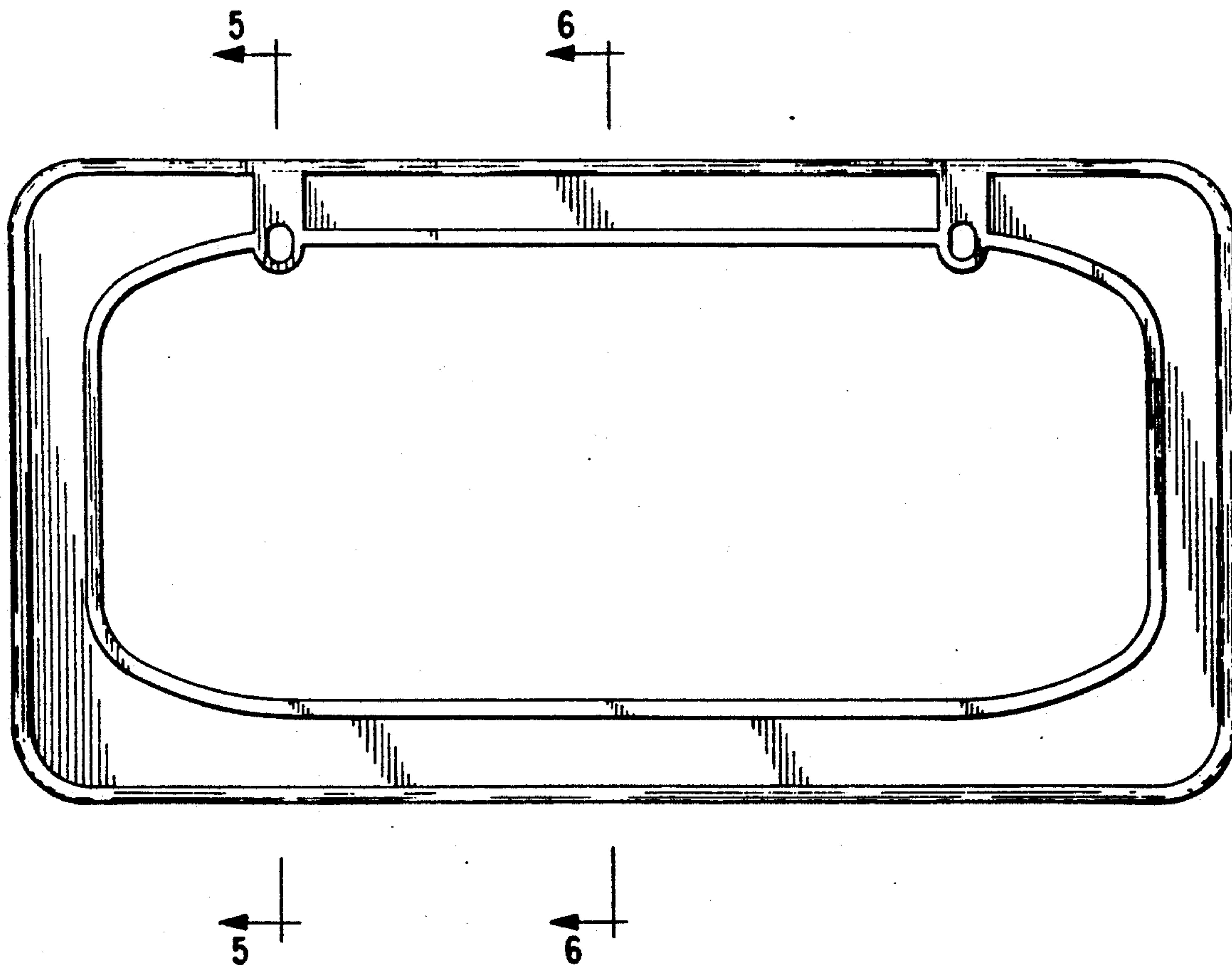
FIG. 3 is a side elevation view thereof, the opposite side being a mirror image of that shown;

FIG. 4 is a rear elevation view thereof;

FIG. 5 is a greatly enlarged sectional view thereof taken along line 5—5 in FIG. 1; and,

FIG. 6 is a greatly enlarged sectional view thereof taken along line 6—6 in FIG. 1.

The license plate frame has been broken away in the middle in FIGS. 5 and 6 of the drawing for convenience of illustration.



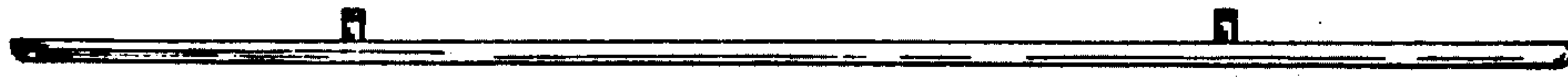


FIG. 2

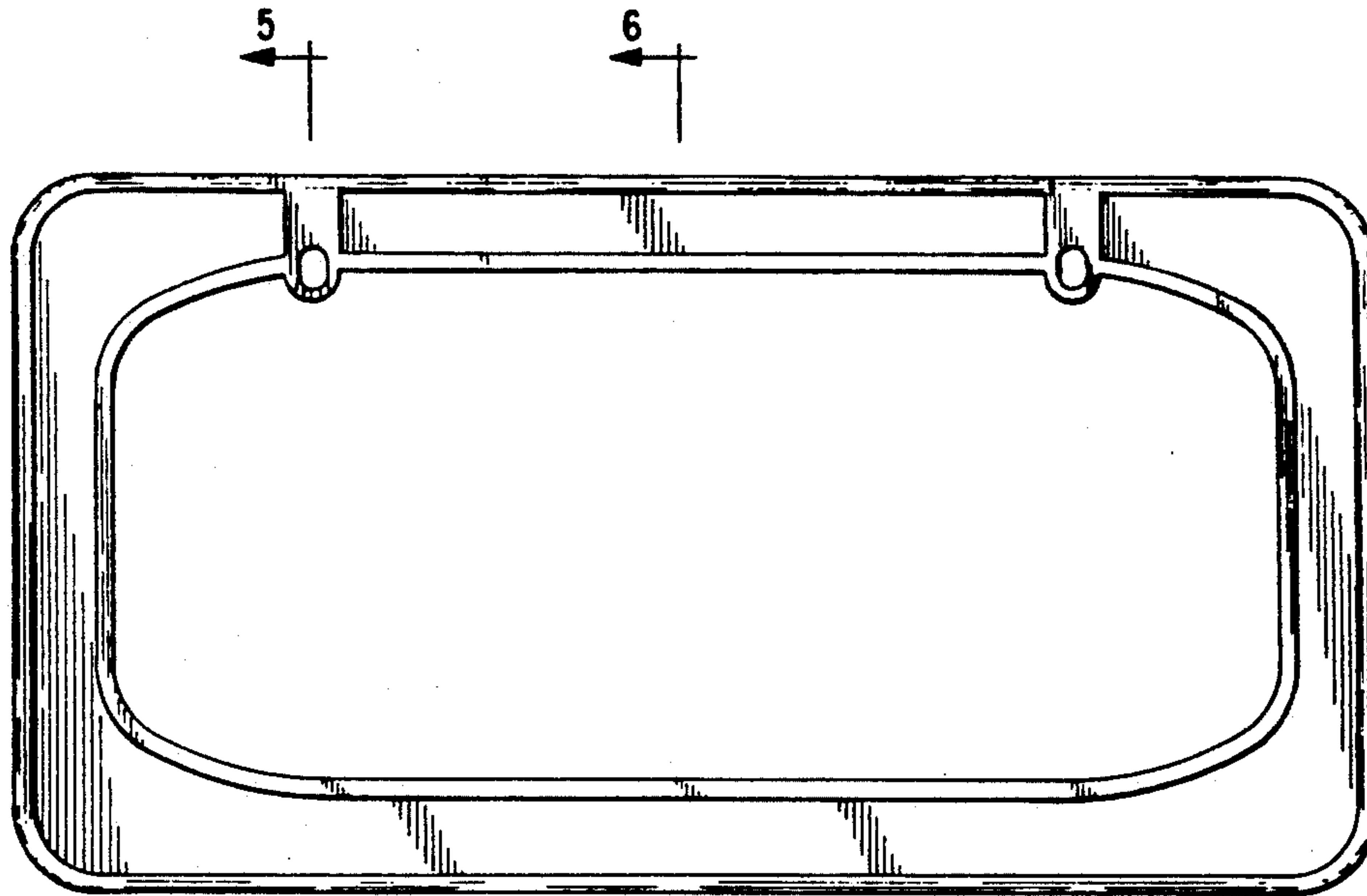


FIG. 1



FIG. 3

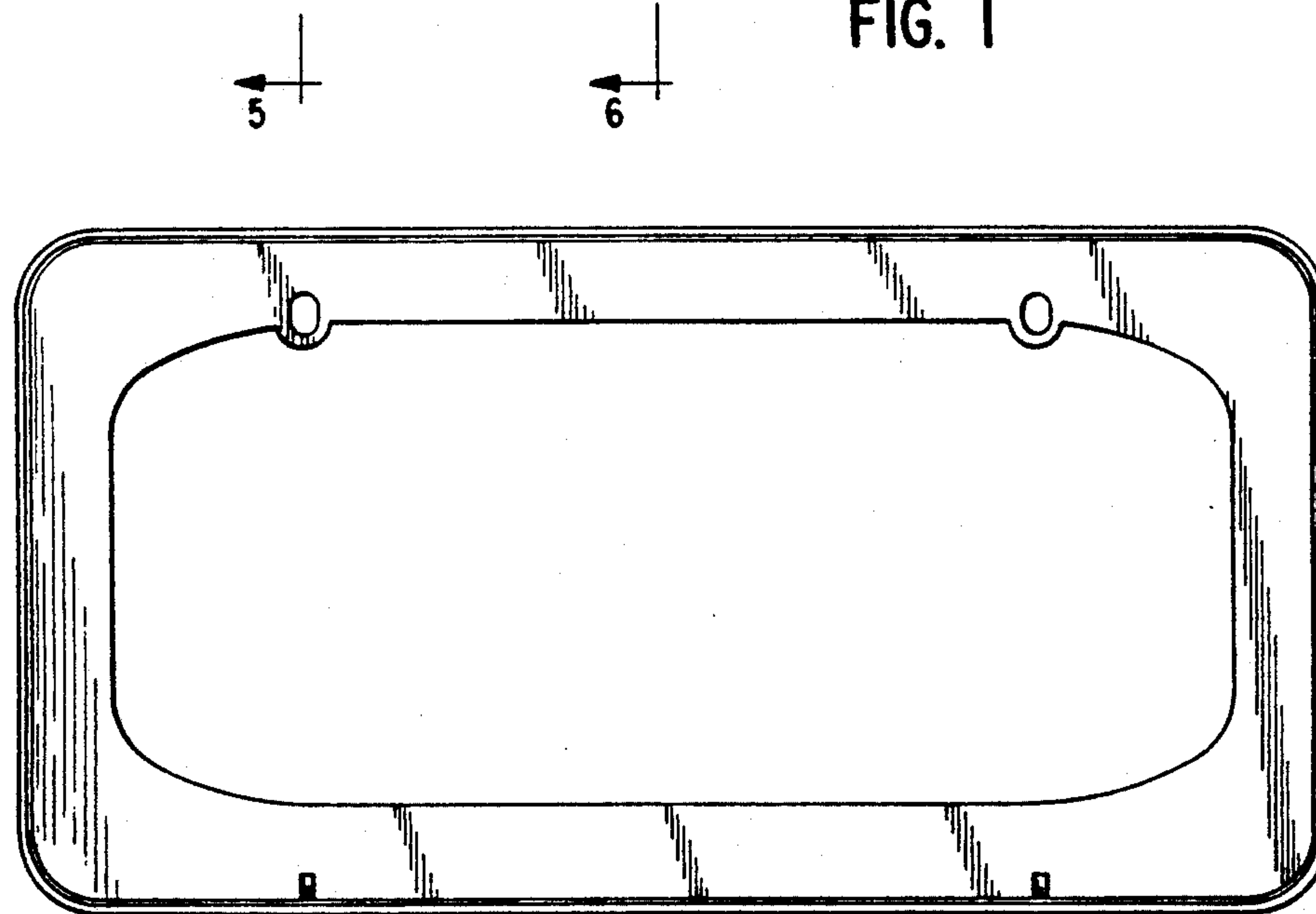


FIG. 4

