



US00D335853S

United States Patent [19]

[11] Patent Number: **Des. 335,853**

Few

[45] Date of Patent: **** May 25, 1993**

[54] TRAILER SWAY BAR

4,165,885 8/1979 Good et al. 280/446 B
4,943,080 7/1990 Reimer 280/446.1

[75] Inventor: Jeffrey P. Few, West Hill, Calif.

Primary Examiner—Wallace R. Burke
Assistant Examiner—Melody Brown
Attorney, Agent, or Firm—Fulwider, Patton, Lee & Utecht

[73] Assignee: Norco Industries, Compton, Calif.

[**] Term: 14 Years

[21] Appl. No.: 757,120

[57] **CLAIM**

The ornamental design for a trailer sway bar, as shown.

[22] Filed: Sep. 10, 1991

DESCRIPTION

[52] U.S. Cl. D12/162

[58] Field of Search D12/162; 280/446.1,
280/455.1; 188/129

FIG. 1 is a perspective view of a trailer sway bar showing my new design;
FIG. 2 is a front elevational view thereof;
FIG. 3 is a rear elevational view thereof;
FIG. 4 is a top plan view thereof;
FIG. 5 is a bottom plan view thereof;
FIG. 6 is a left hand end view thereof; and,
FIG. 7 is a right hand end view thereof.

[56] **References Cited**

U.S. PATENT DOCUMENTS

D. 197,709 3/1964 Silver et al. D12/162
2,952,030 10/1957 Guilbert, Jr. 188/129
3,294,421 4/1966 Mathisen 280/455.1

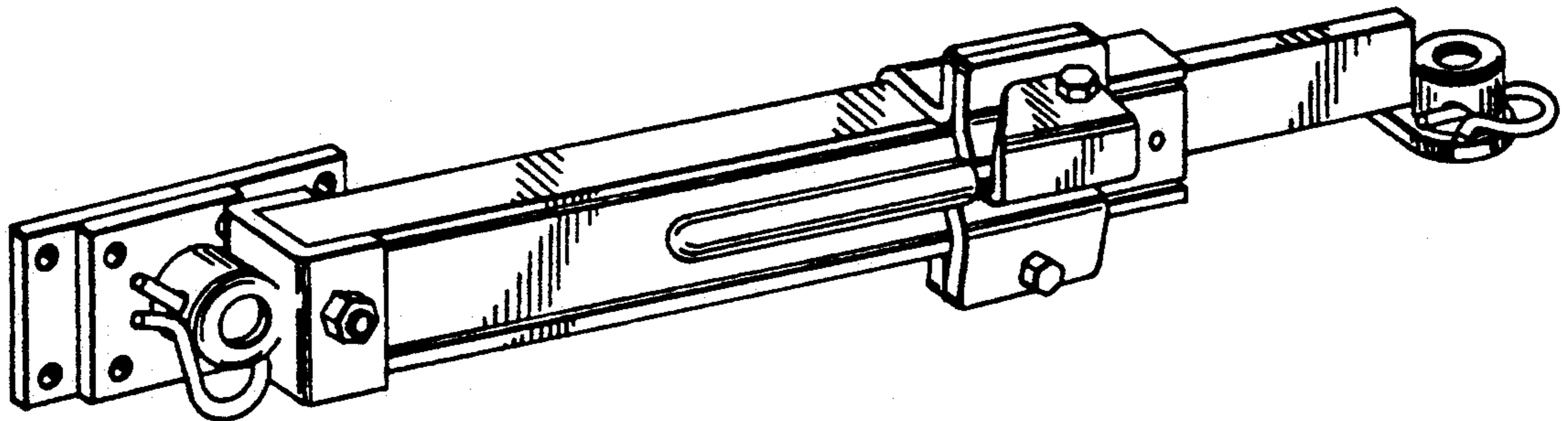


FIG. 1

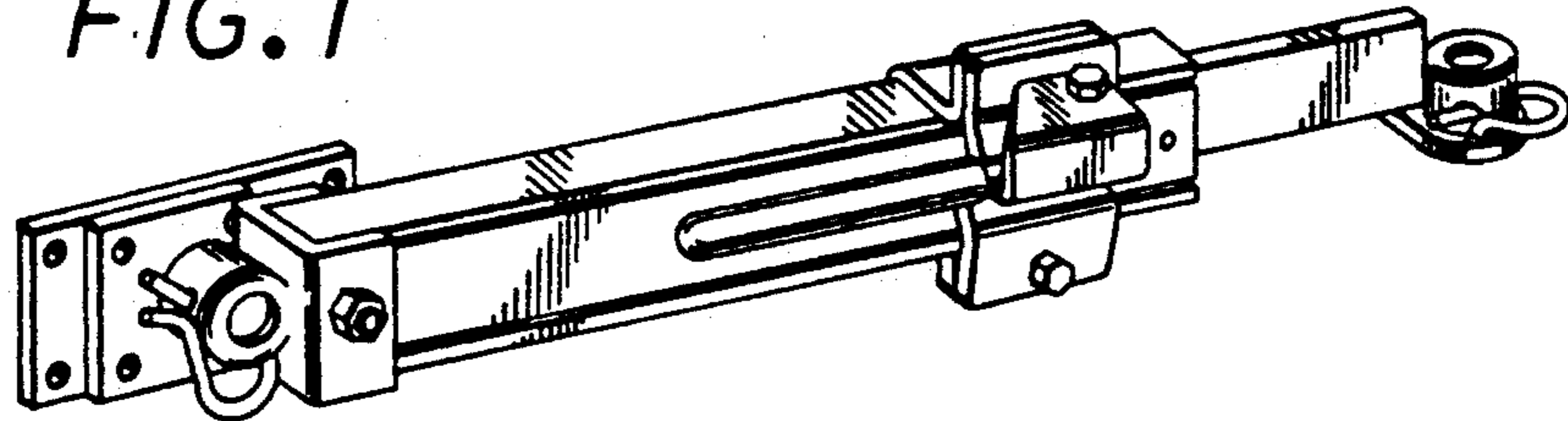


FIG. 2

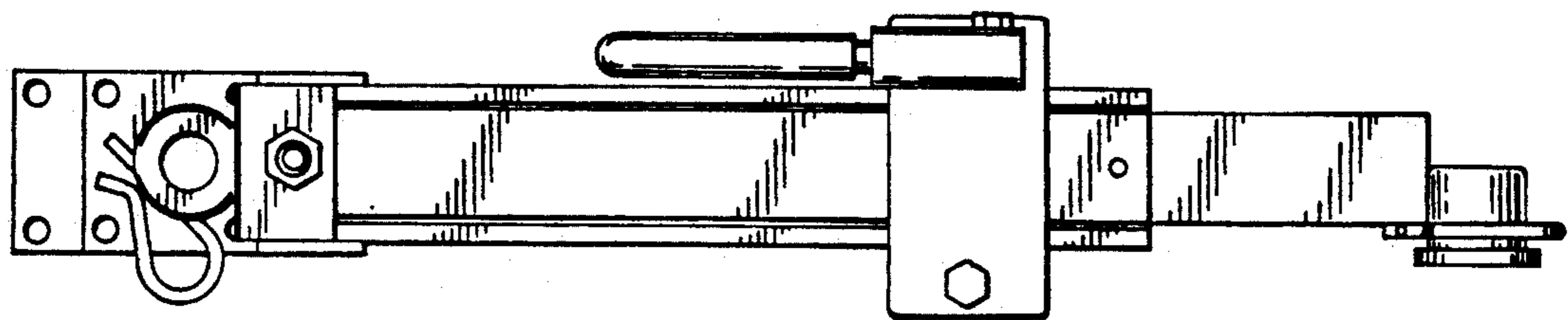


FIG. 3

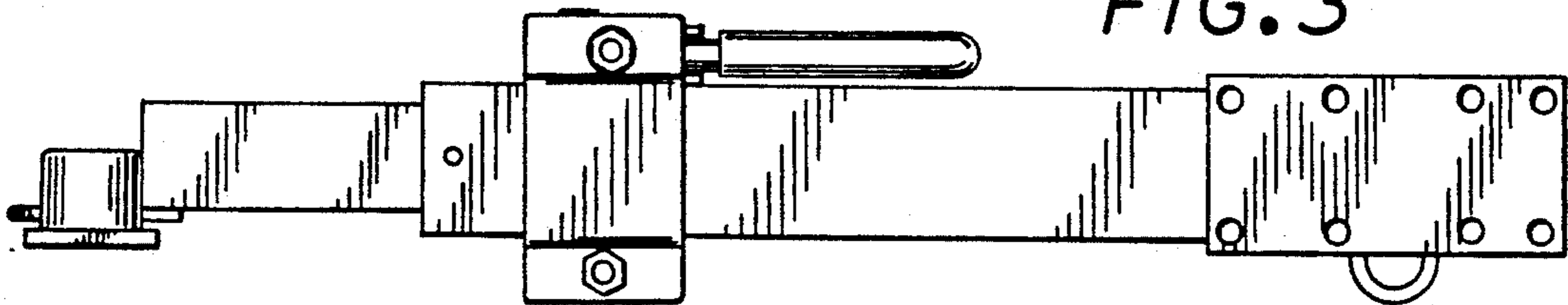


FIG. 4

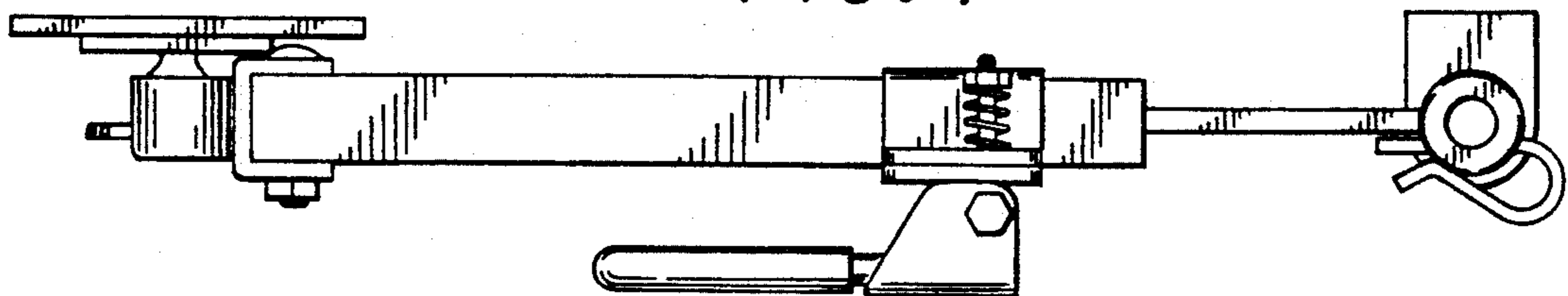


FIG. 5

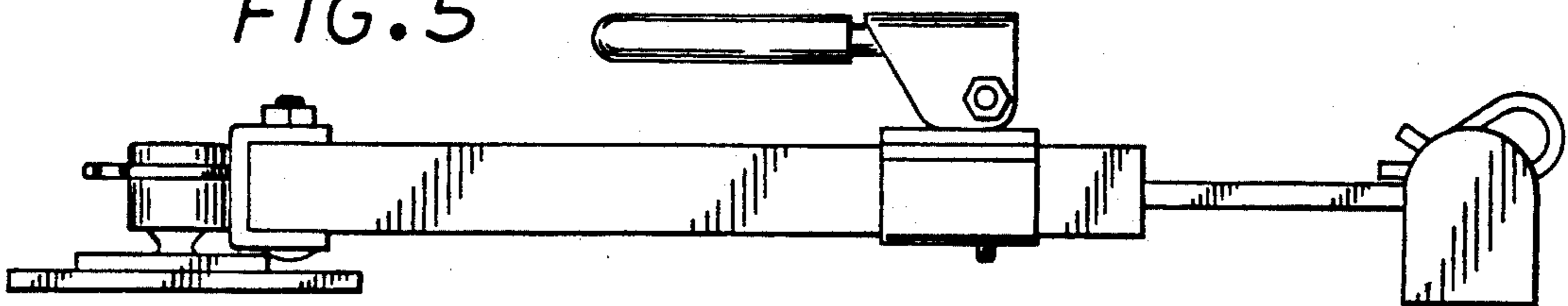


FIG. 6

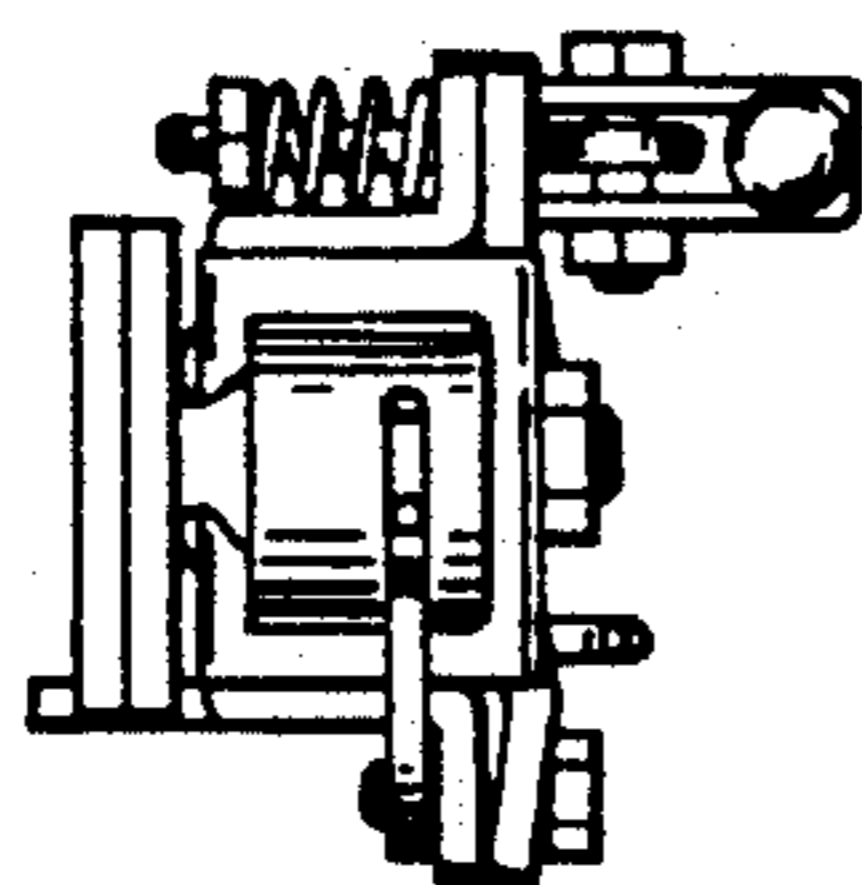


FIG. 7

