



US00D335852S

# United States Patent [19]

[11] Patent Number: **Des. 335,852**

**Carles**

[45] Date of Patent: **\*\* May 25, 1993**

- [54] **PROTECTIVE SLEEVE FOR AN AXLE SPINDLE**
- [75] Inventor: **Charles Carles, Kenton, Ohio**
- [73] Assignee: **Rockwell International Corporation, Pittsburgh, Pa.**
- [\*\*] Term: **14 Years**
- [21] Appl. No.: **703,992**
- [22] Filed: **May 22, 1991**
- [52] U.S. Cl. .... **D12/160**
- [58] Field of Search ..... **D12/160; 301/108 R, 301/108 A, 108 S**

- 4,946,228 8/1990 Hsu et al. .... 301/108 S
- 5,011,233 4/1991 Nomura et al. .... 301/108 A
- 5,048,898 9/1991 Russell ..... 301/108 S
- 5,104,202 4/1992 Branch ..... 301/108 R

### FOREIGN PATENT DOCUMENTS

- 2706073 8/1978 Fed. Rep. of Germany ... 301/108 A

*Primary Examiner*—Wallace R. Burke  
*Assistant Examiner*—Melody Brown

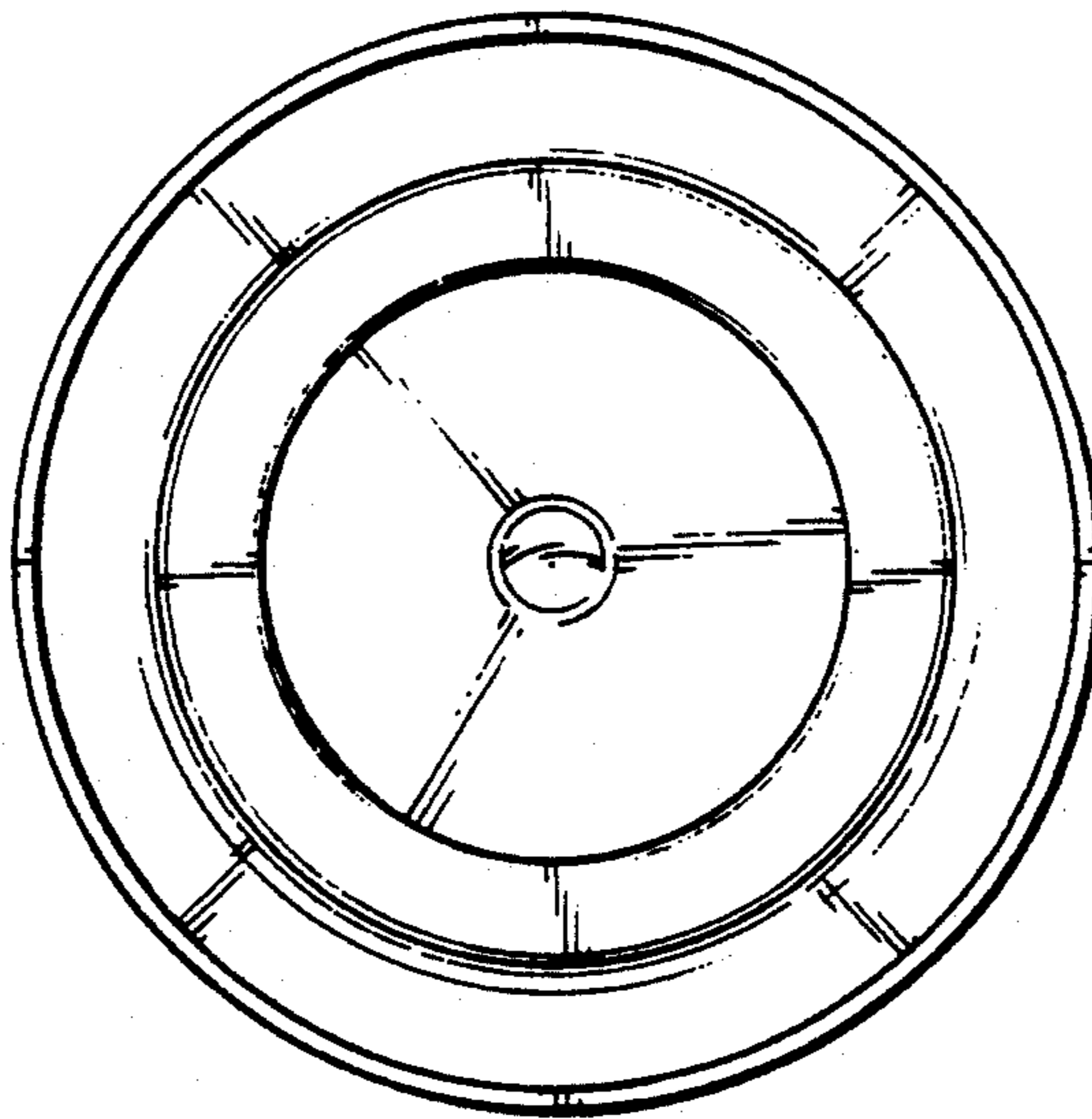
### [57] CLAIM

The ornamental design for a protective sleeve for an axle spindle, as shown and described.

### DESCRIPTION

FIG. 1 is a top, front and side perspective view of a protective sleeve for an axle spindle showing my new design;  
 FIG. 2 is a rear elevation view thereof;  
 FIG. 3 is a side elevation view thereof, all other sides being mirror images of that shown; and,  
 FIG. 4 is a front elevational view thereof.

- [56] **References Cited**
- U.S. PATENT DOCUMENTS**
- D. 31,641 10/1899 McCallister ..... D12/160
- D. 170,438 9/1953 Ziskind ..... D8/303
- 4,639,045 1/1987 Kane ..... 301/108 S
- 4,828,328 5/1989 Bowman ..... 301/111
- 4,944,562 7/1990 Garrison ..... 301/111



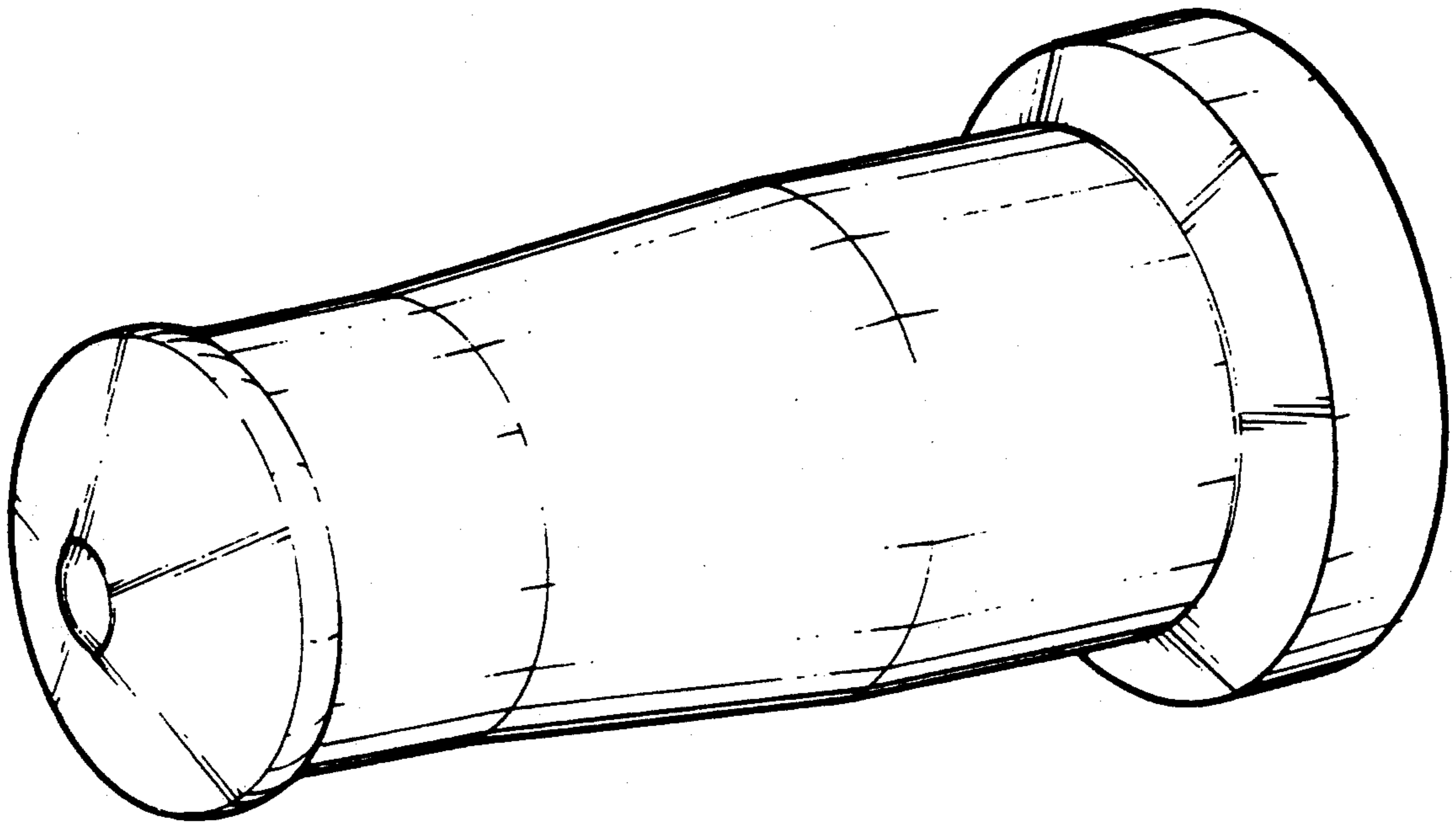


Fig-1

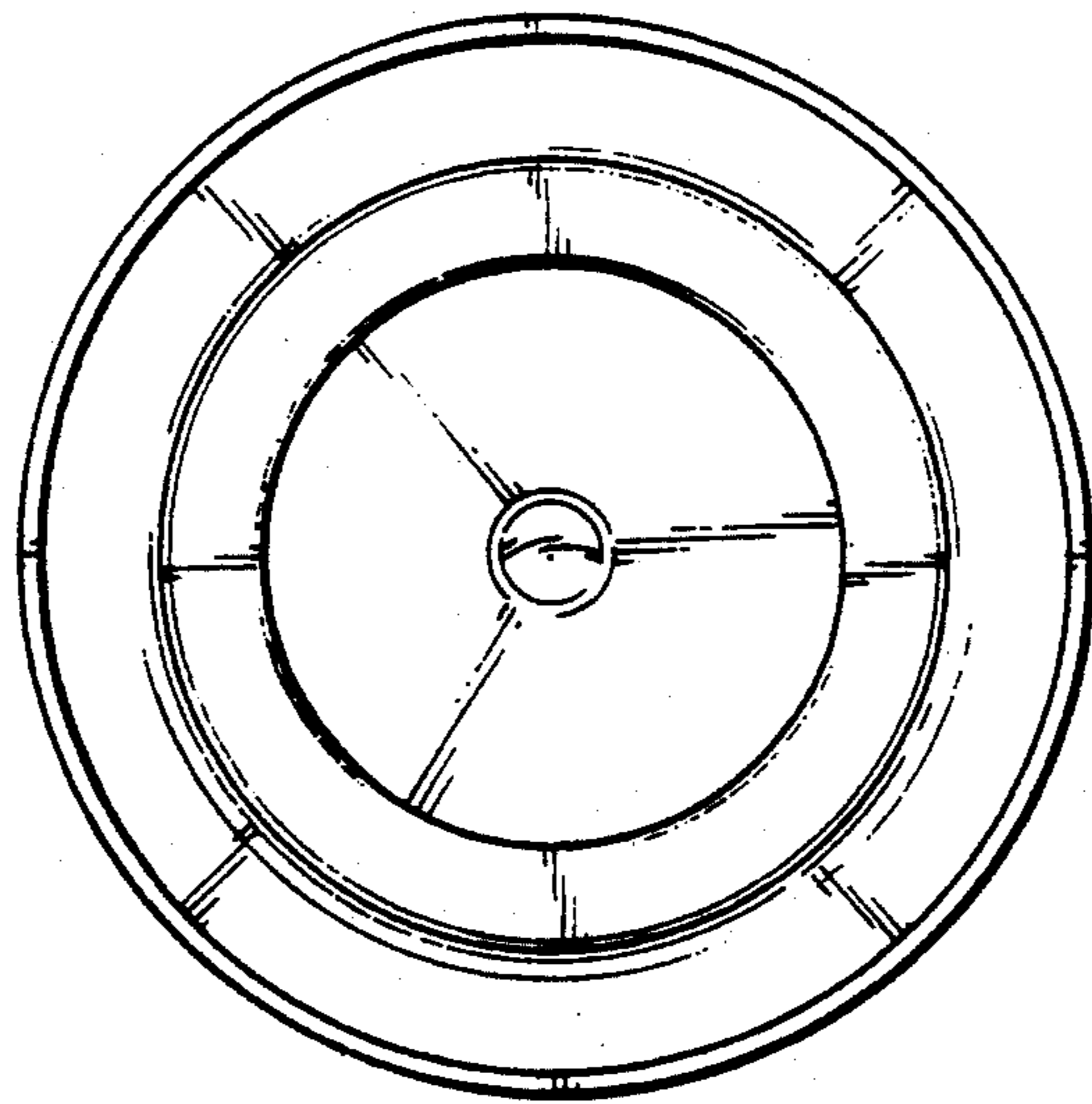


Fig-2

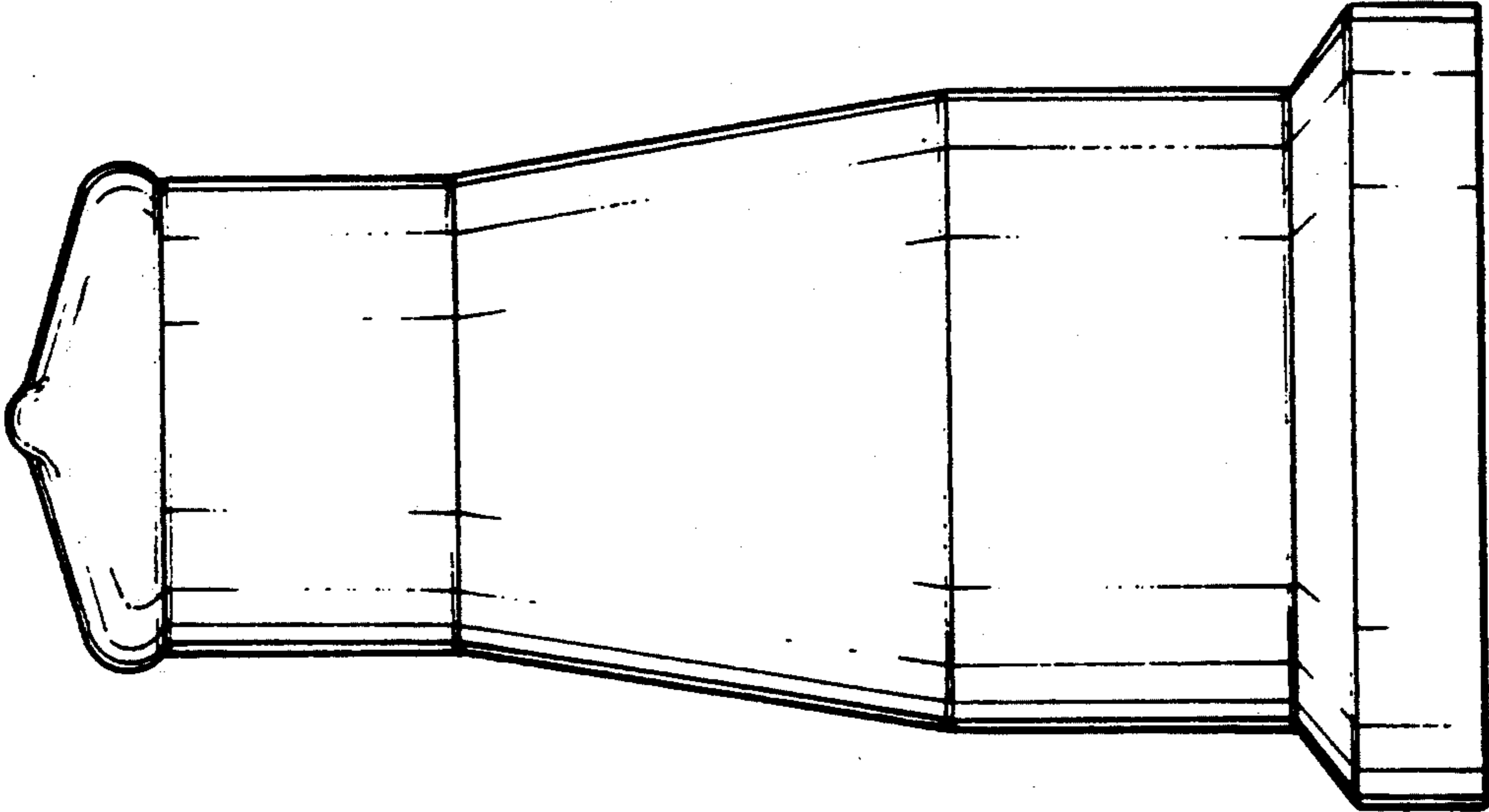


Fig-3

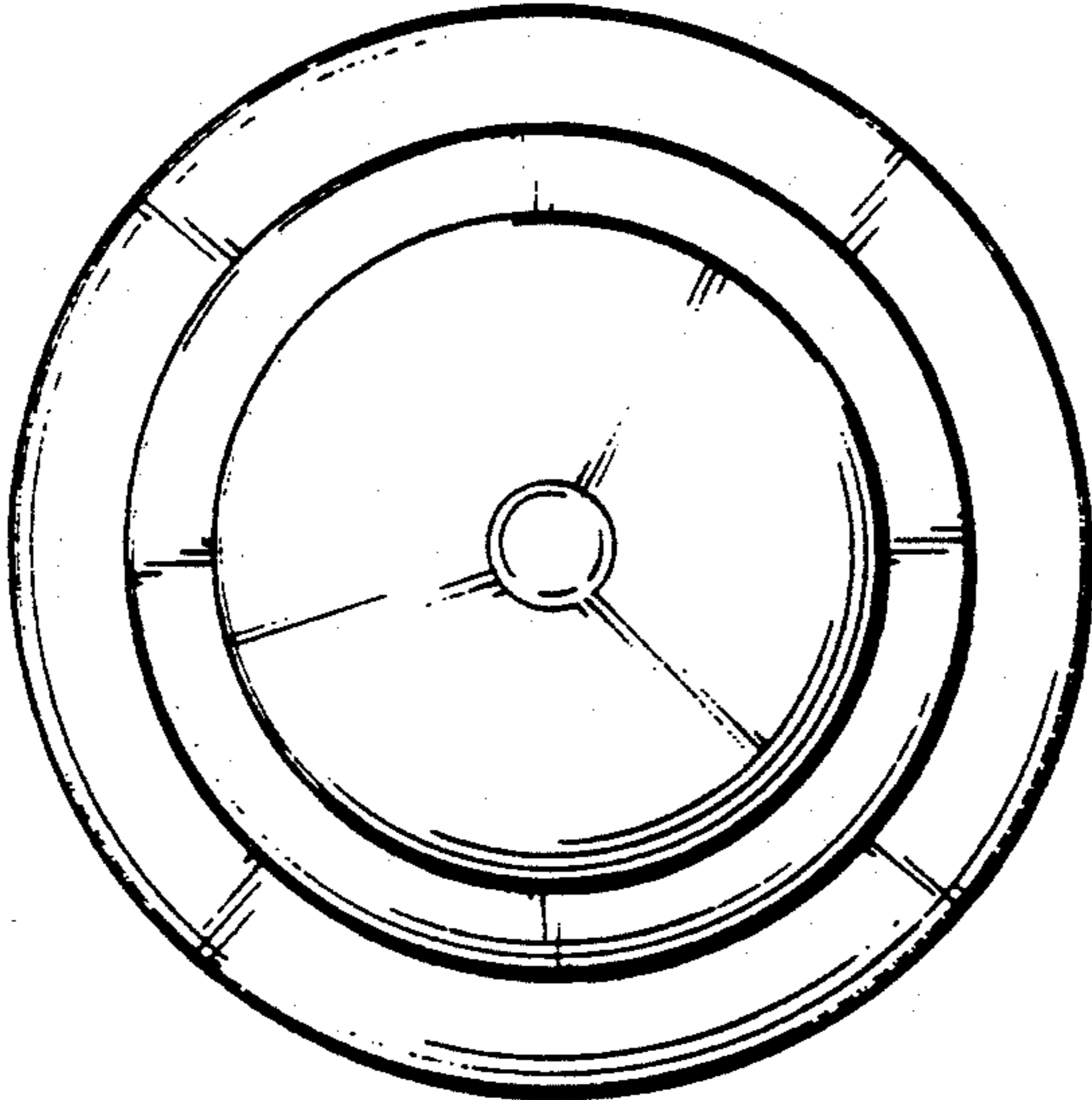


Fig-4