



US00D335851S

United States Patent [19]

[11] Patent Number: **Des. 335,851**

Lofy

[45] Date of Patent: **** May 25, 1993**

[54] CASTER ADJUSTABLE UPPER CONTROL ARM SHAFT

[76] Inventor: **Richard W. Lofy, 7113 Pagham Dr., Madison, Wis. 53719**

[**] Term: **14 Years**

[21] Appl. No.: **651,930**

[22] Filed: **Feb. 7, 1991**

[52] U.S. Cl. **D12/159**

[58] Field of Search **D12/159, 160; 280/661**

[56] References Cited

U.S. PATENT DOCUMENTS

2,299,935	10/1942	Slack et al.	280/661
2,339,533	1/1944	Wahlberg et al.	280/661
2,631,866	3/1953	Leighton	280/681
5,156,414	10/1992	Fayard et al.	280/661

FOREIGN PATENT DOCUMENTS

2443640 3/1976 Fed. Rep. of Germany 280/661

Primary Examiner—Wallace R. Burke

Assistant Examiner—Melody Brown

Attorney, Agent, or Firm—Leon Gilden

[57] CLAIM

The ornamental design for a caster adjustable upper control arm shaft, as shown.

DESCRIPTION

FIG. 1 is a front elevational view of the caster adjustable upper control arm shaft showing my new design; FIG. 2 is a rear elevational view thereof; FIG. 3 is a left side elevational view thereof; FIG. 4 is a right side elevational view thereof; FIG. 5 is a top plan view thereof; and, FIG. 6 is a bottom plan view thereof.

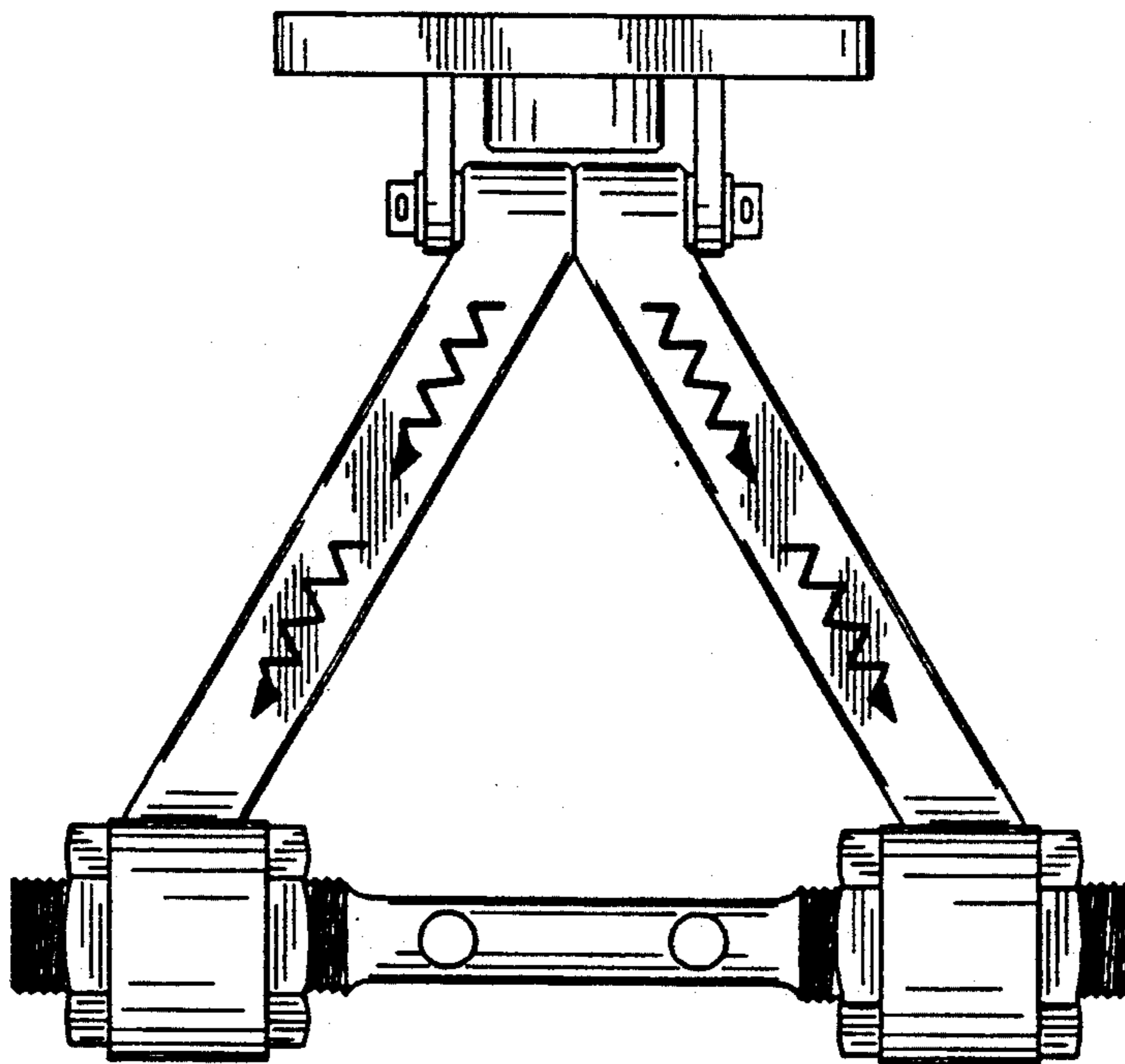


FIG. 1

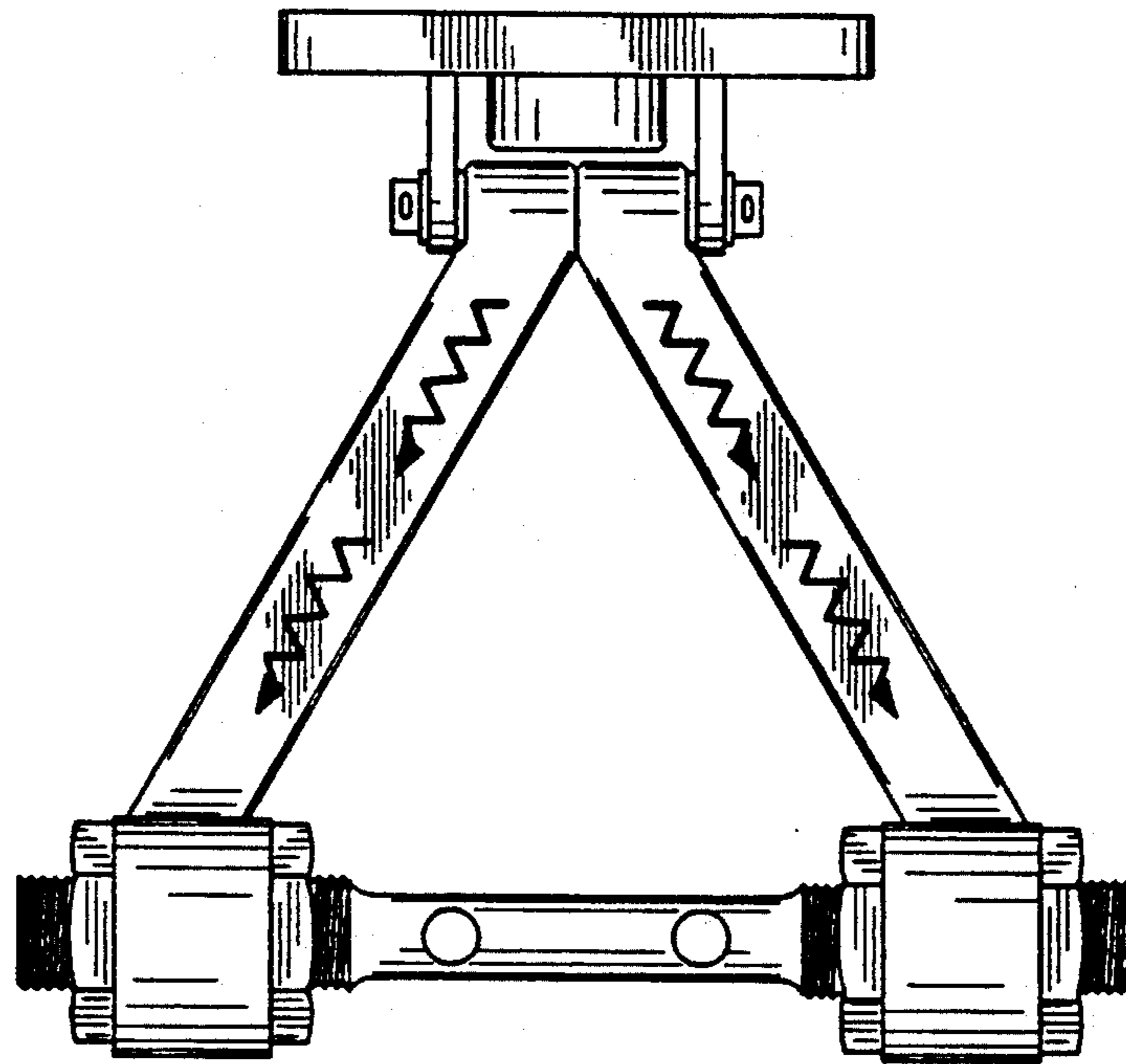


FIG. 2

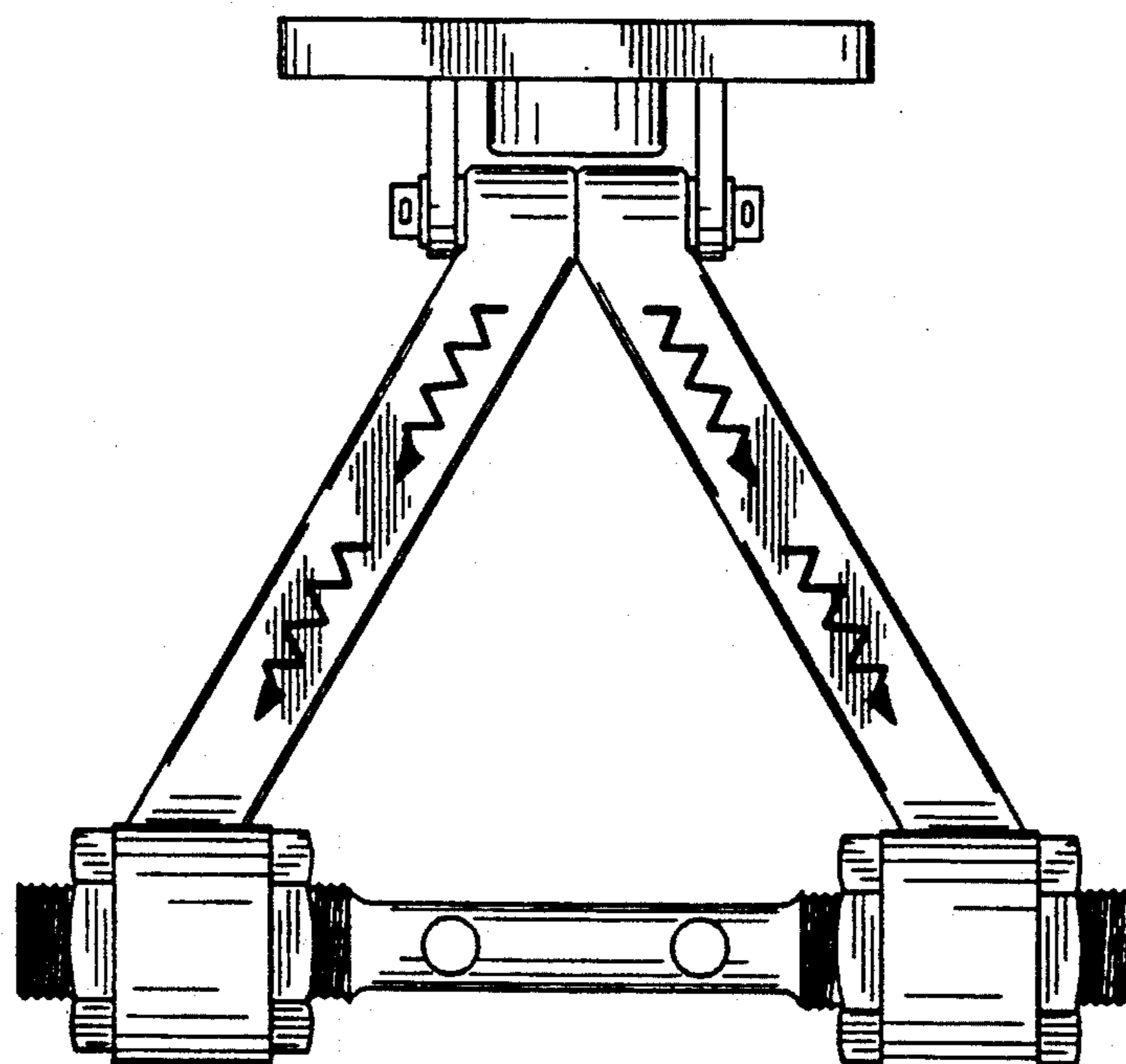


FIG. 3

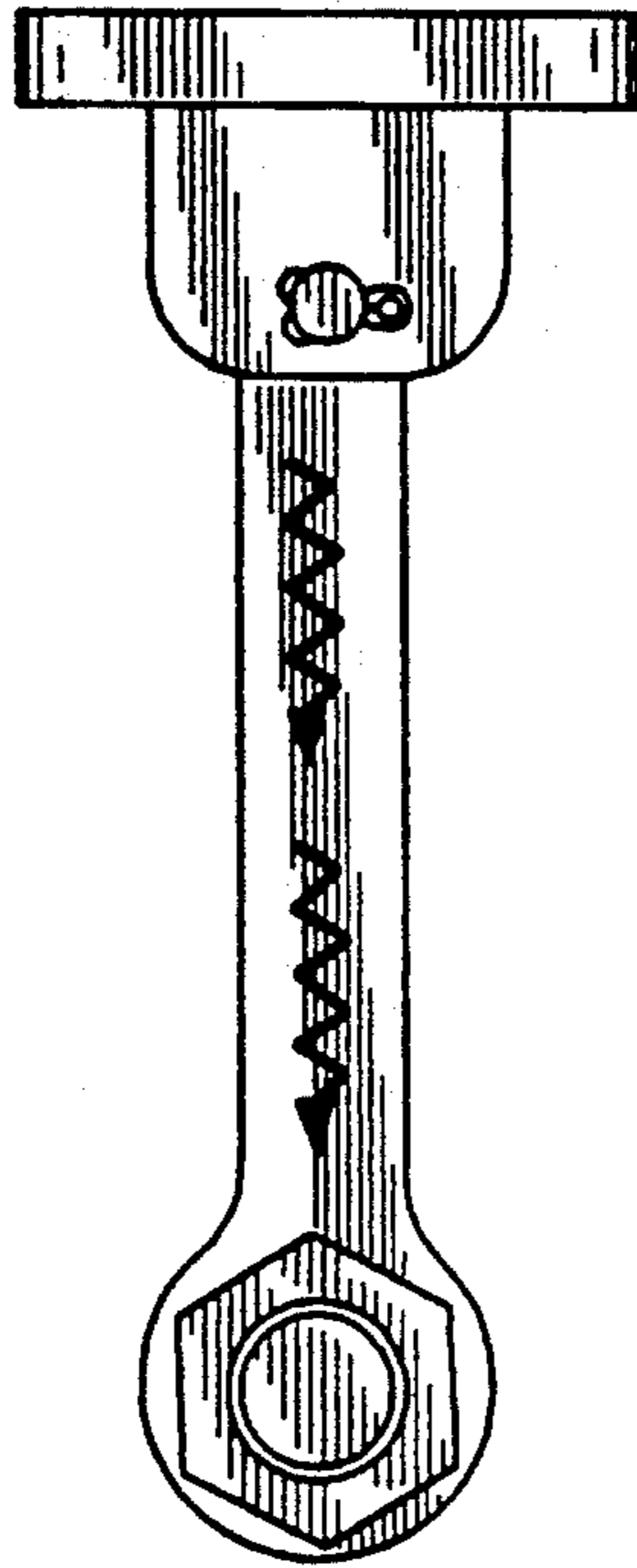


FIG. 4

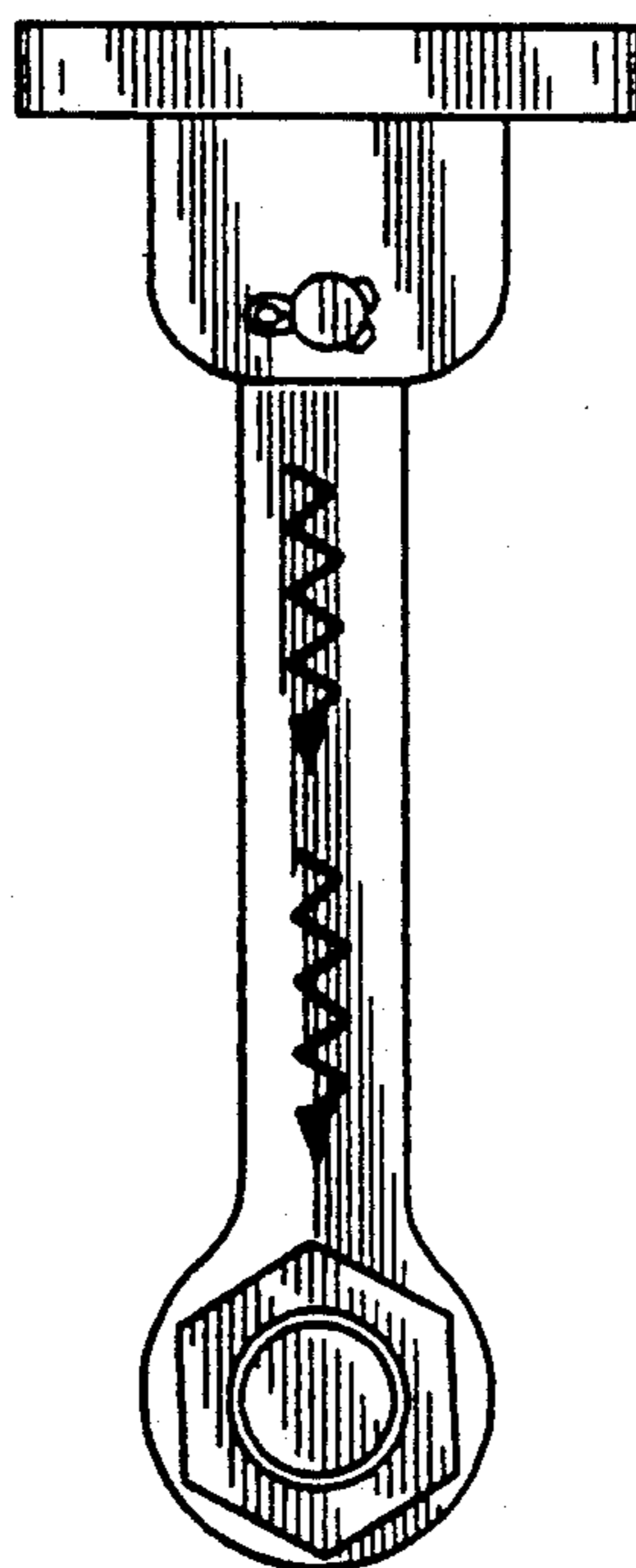


FIG. 5

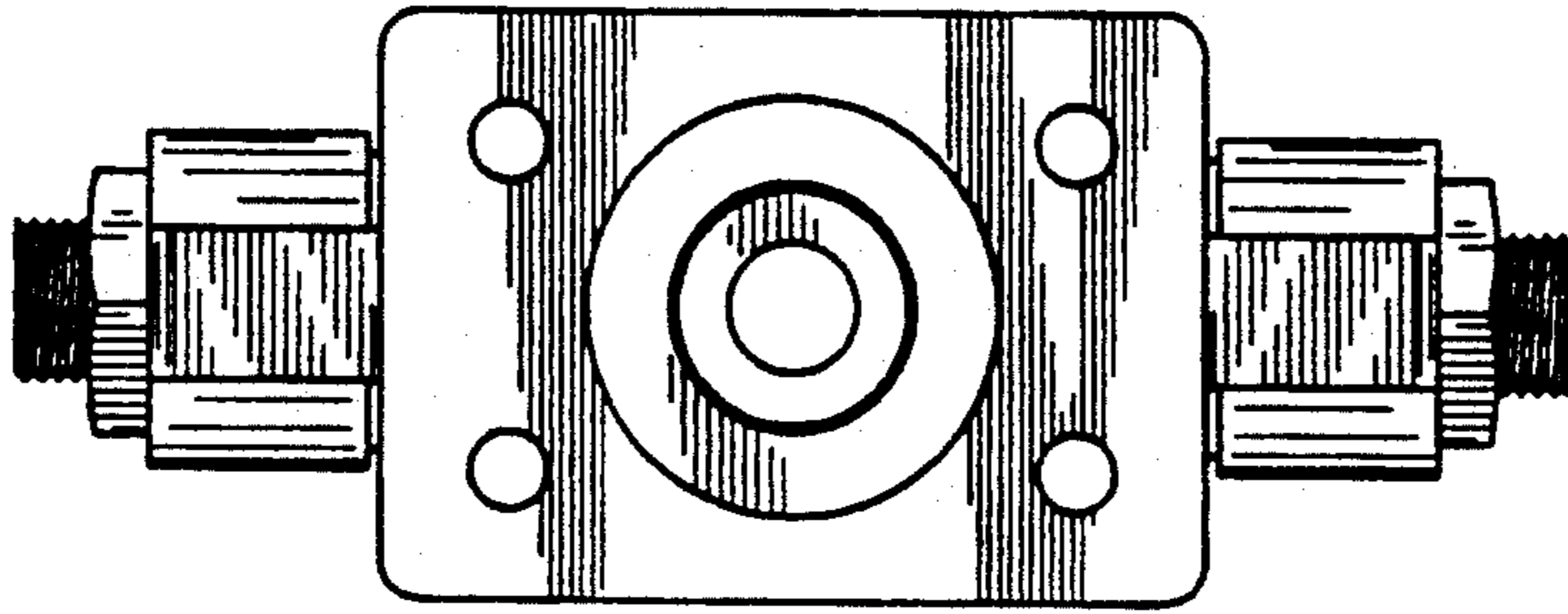


FIG. 6

