



US00D335849S

# United States Patent [19]

[11] Patent Number: **Des. 335,849**

Hamilton

[45] Date of Patent: **\*\* May 25, 1993**

[54] **INTERIOR CARGO COVER FOR MOTOR VEHICLES**

[56] **References Cited**

**U.S. PATENT DOCUMENTS**

D. 298,817 12/1988 Hamilton ..... D12/155

[75] Inventor: **Thomas F. Hamilton, 1634 Ixias Ct., San Jose, Calif. 95124**

*Primary Examiner*—James M. Gandy

[73] Assignee: **Thomas F. Hamilton, San Jose, Calif.**

[57] **CLAIM**

The ornamental design for an interior cargo cover for motor vehicles, as shown and described.

[\*\*] Term: **14 Years**

**DESCRIPTION**

[21] Appl. No.: **728,940**

FIG. 1 is a perspective view of an interior cargo cover for motor vehicles showing my new design;

FIG. 2 is a top plan view thereof;

FIG. 3 is a bottom plan view thereof;

FIG. 4 is a left side elevational view thereof the right side being a mirror image of that shown;

FIG. 5 is a front elevational view thereof; and,

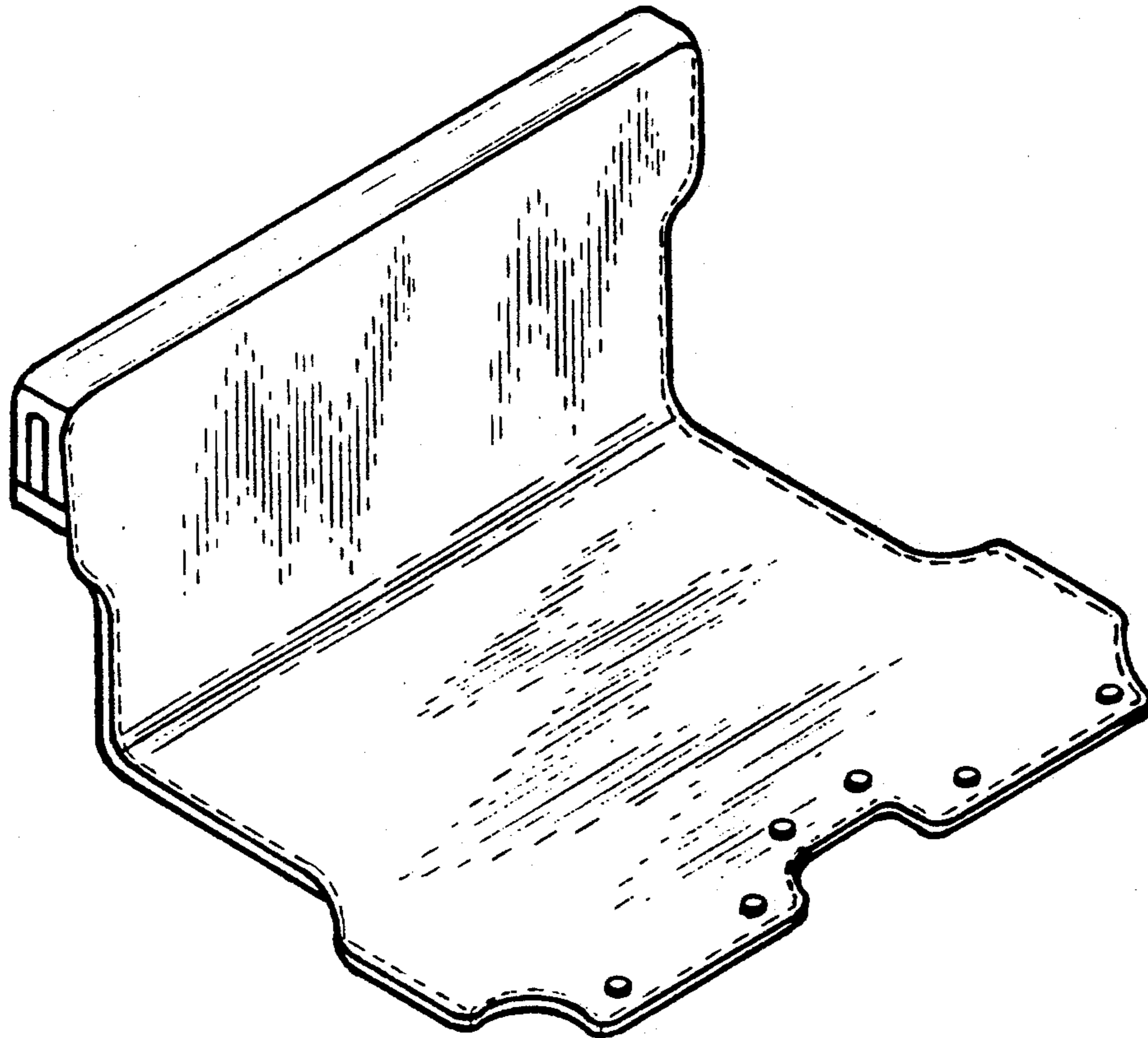
FIG. 6 is a back elevational view thereof.

[22] Filed: **Jul. 11, 1991**

[52] U.S. Cl. .... **D12/155**

[58] Field of Search ..... **D12/155; 296/39.1, 39.2, 296/39.3; 280/770**

The broken lines shown in the drawing are representative of stitching.



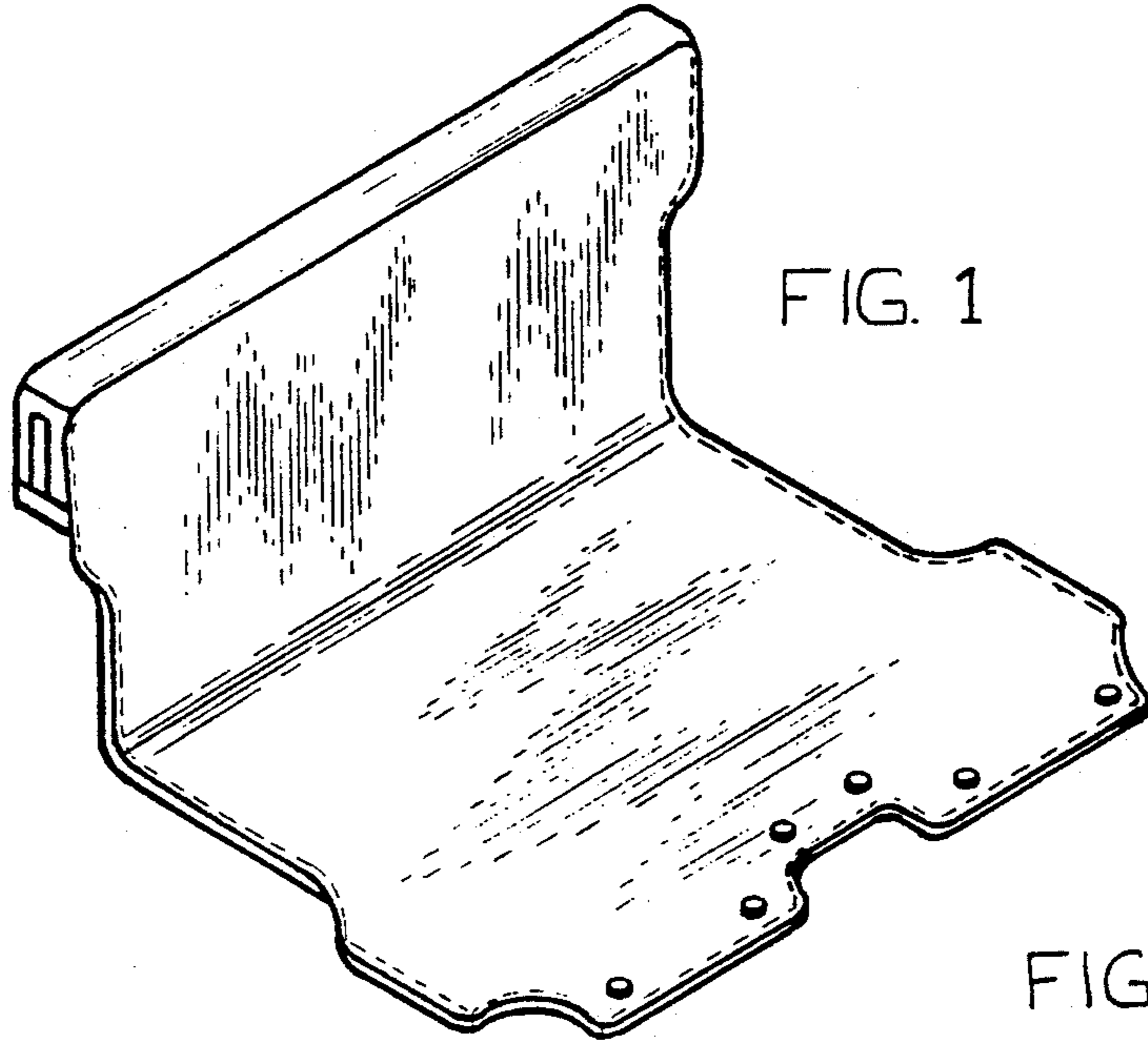


FIG. 2

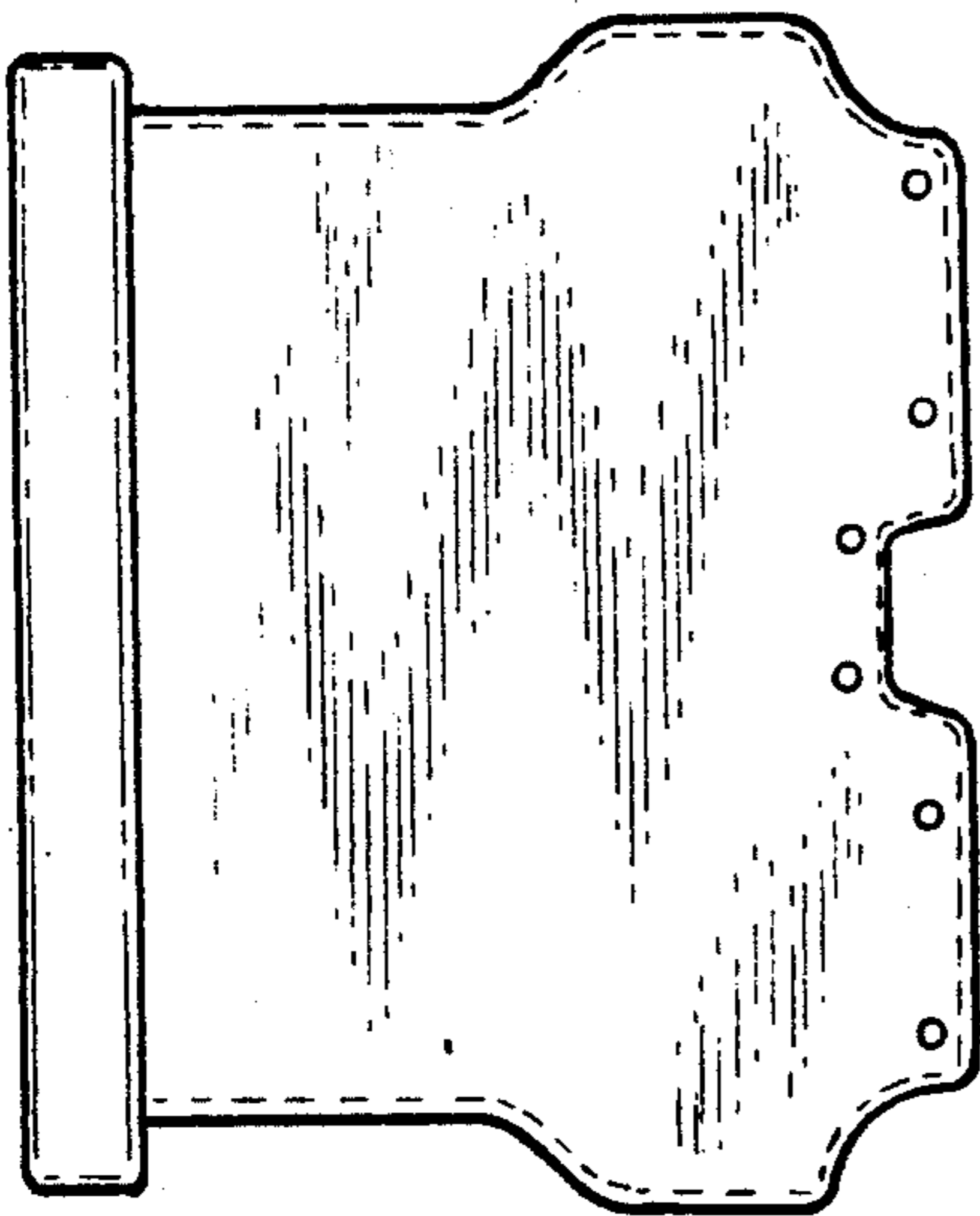


FIG. 3

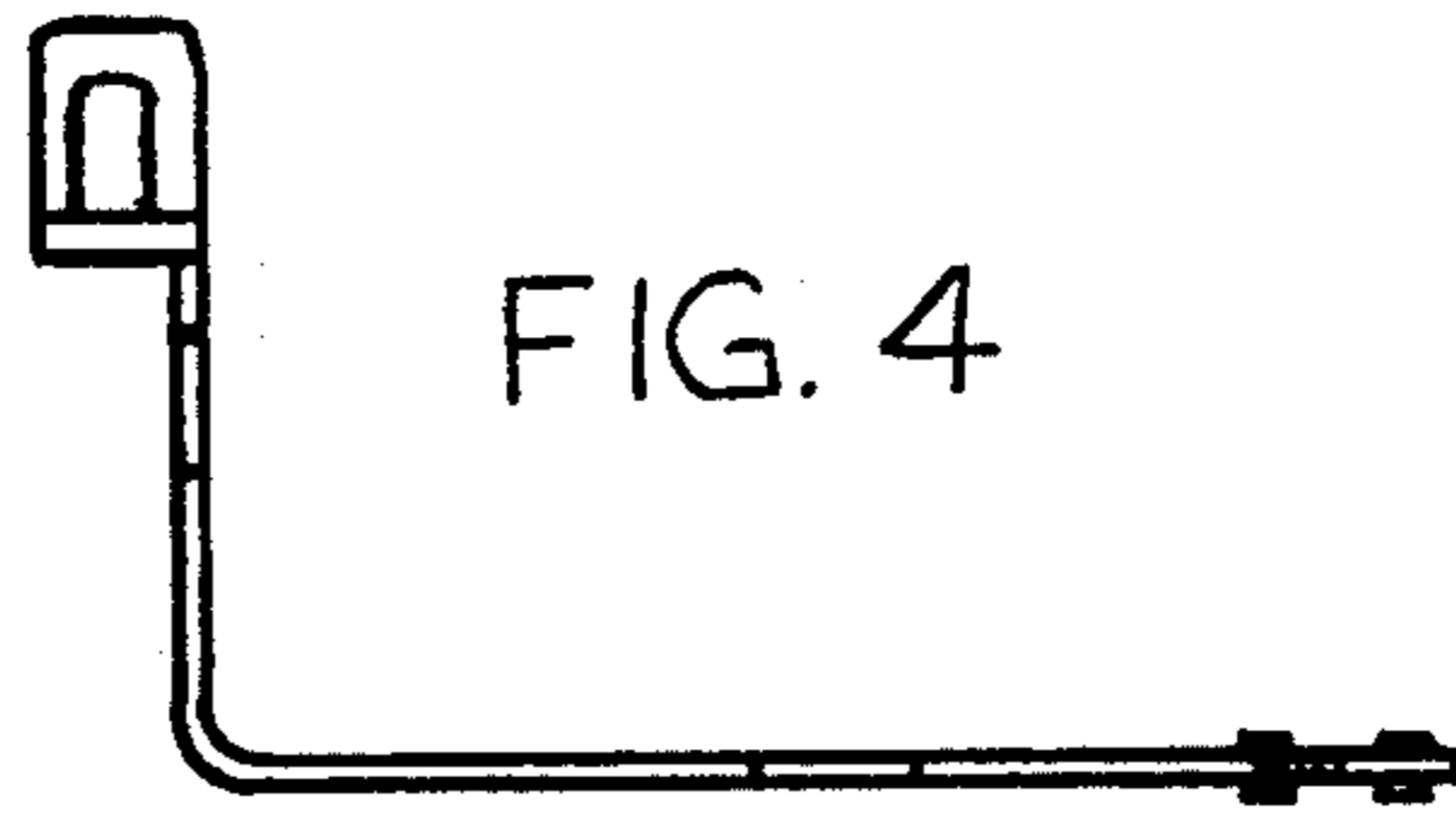
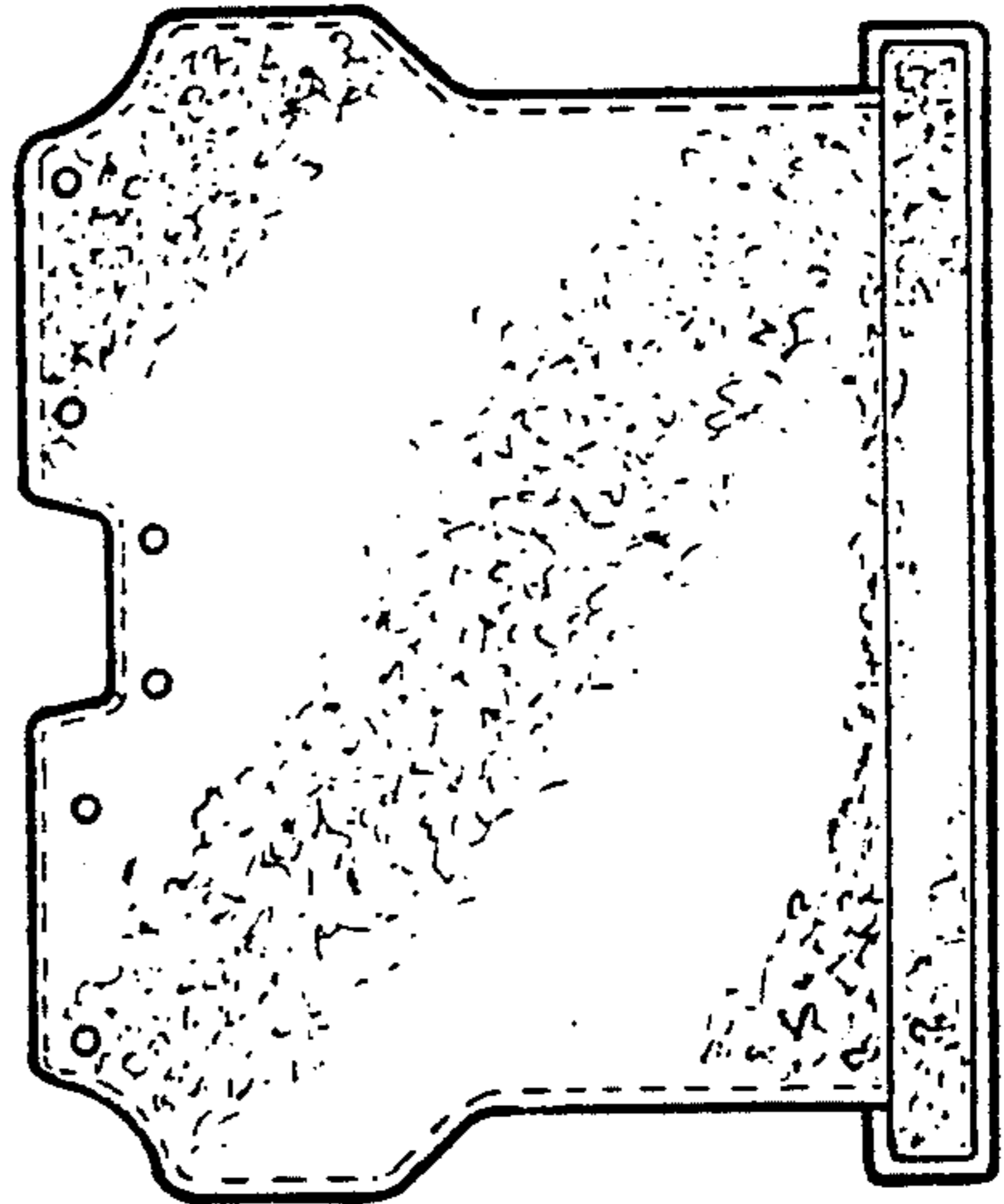


FIG. 4

FIG. 5



FIG. 6

