



US00D335844S

United States Patent [19]

Boiocchi et al.

[11] Patent Number: **Des. 335,844**

[45] Date of Patent: **** May 25, 1993**

[54] TIRE

D. 317,739 6/1991 Bondini D12/146

[75] Inventors: **Maurizio Boiocchi; Gianfranco Colombo**, both of Milan, Italy

[73] Assignee: **Pirelli Coordinamento Pneumatici S.p.A.**, Milan, Italy

[**] Term: **14 Years**

[21] Appl. No.: **623,046**

[22] Filed: **Dec. 6, 1990**

[30] Foreign Application Priority Data

Jun. 8, 1990 [IT] Italy 21319/90[U]

[52] U.S. Cl. **D12/147**

[58] Field of Search **D12/141-143, D12/145-151; 151/209 R, 209 B, 209 D**

[56] References Cited

U.S. PATENT DOCUMENTS

D. 309,591 7/1990 Guermandi et al. D12/147

OTHER PUBLICATIONS

Modern Tire Dealer, May 1990, p. 23, Kleber Tire.

Primary Examiner—James M. Gandy
Attorney, Agent, or Firm—Stevens, Davis, Miller & Mosher

[57] CLAIM

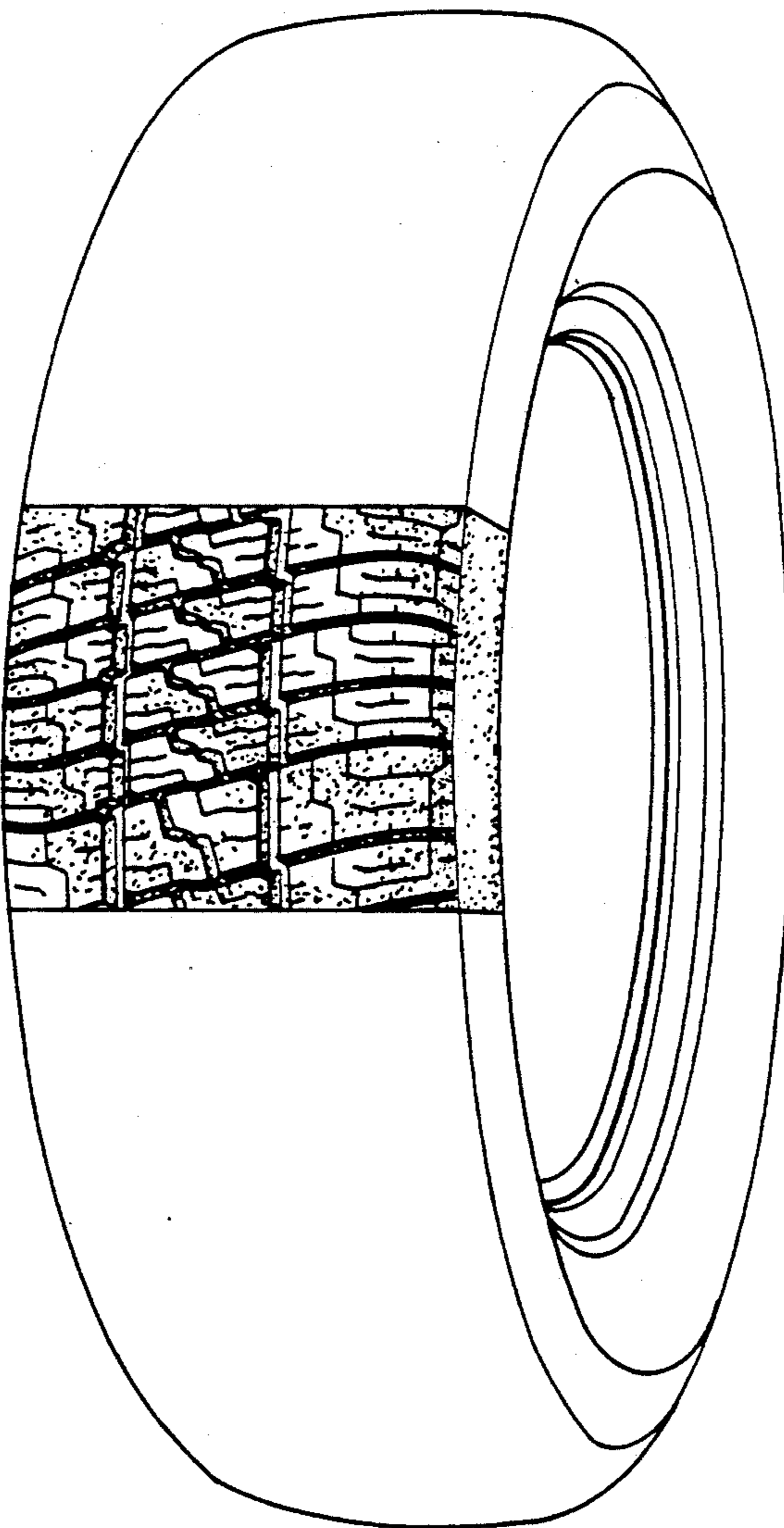
The ornamental design for a tire, as shown and described.

DESCRIPTION

FIG. 1 is a perspective view of a tire showing our new design, it is understood that the tread pattern is repeated uniformly throughout the circumference of the tire as shown schematically by solid lines;

FIG. 2 is a front elevation view thereof; and,

FIG. 3 is a side elevation view thereof on a reduced scale, the opposite side being a mirror image of that shown.



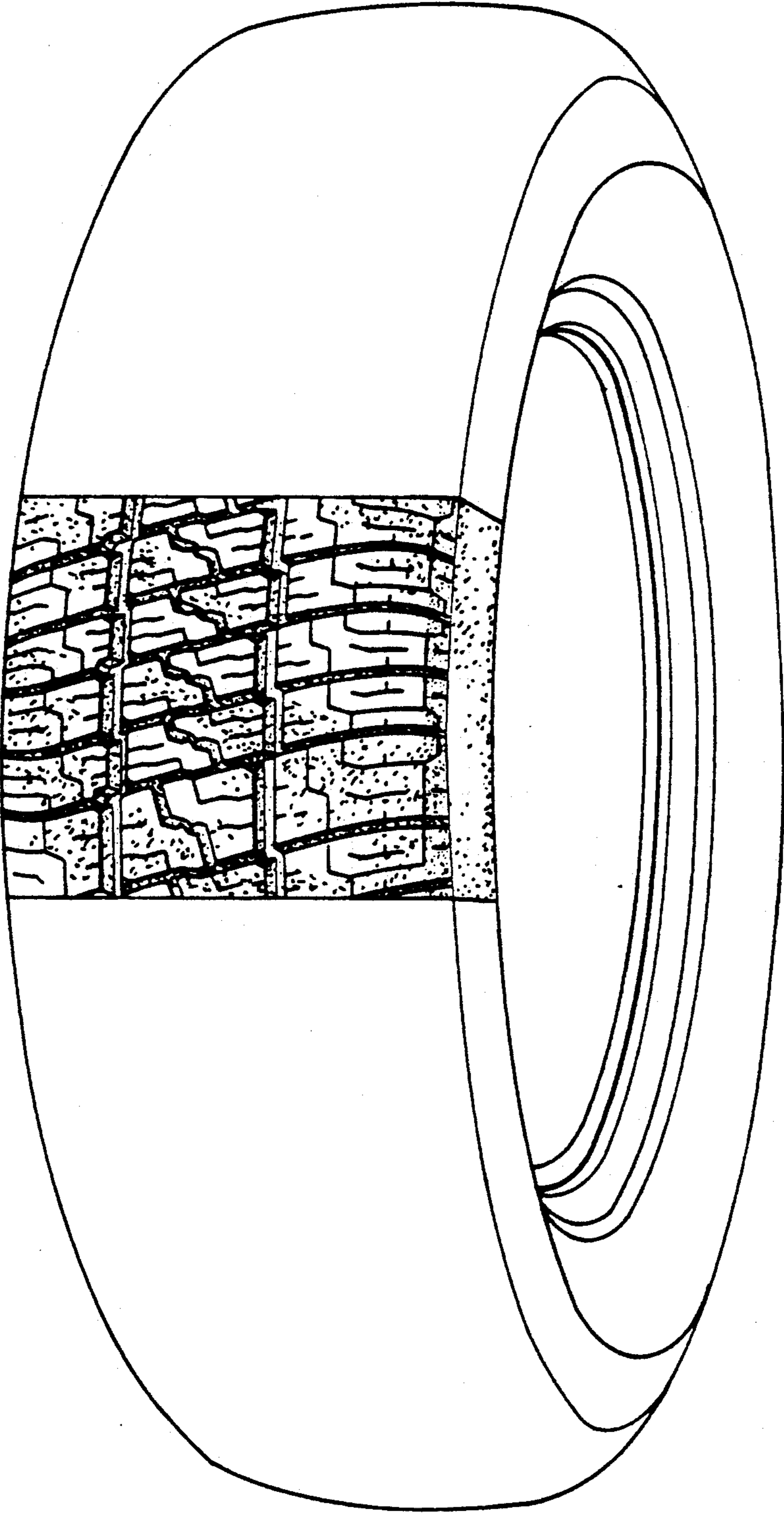


FIG. 1

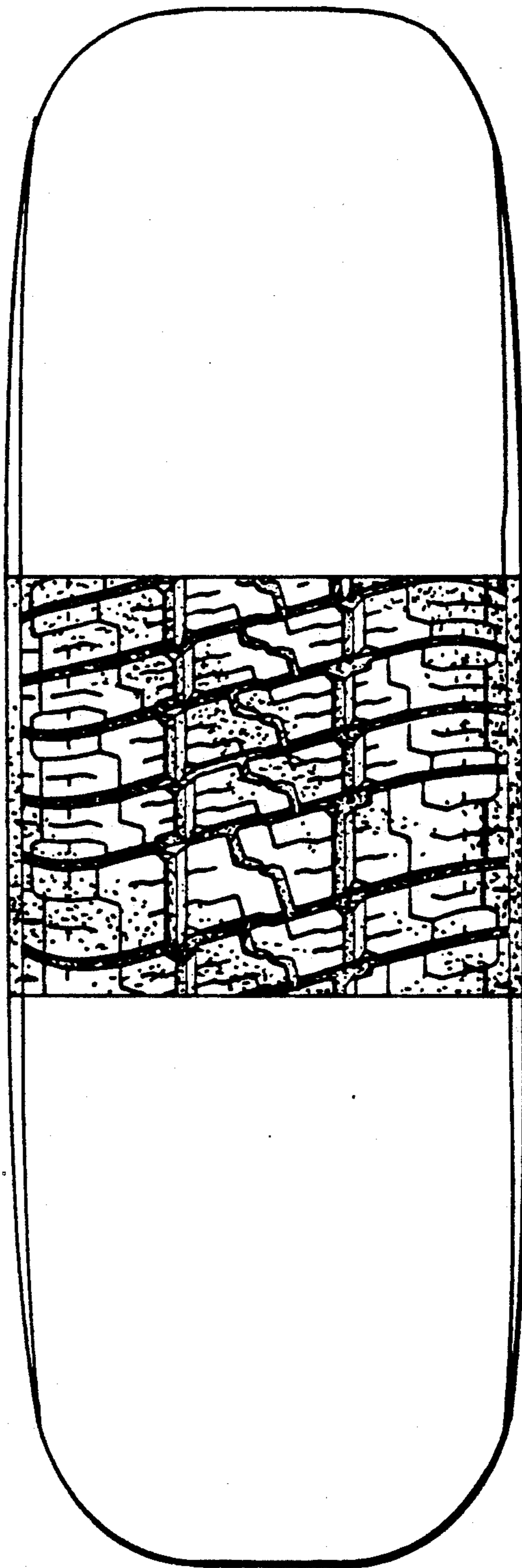


FIG. 2

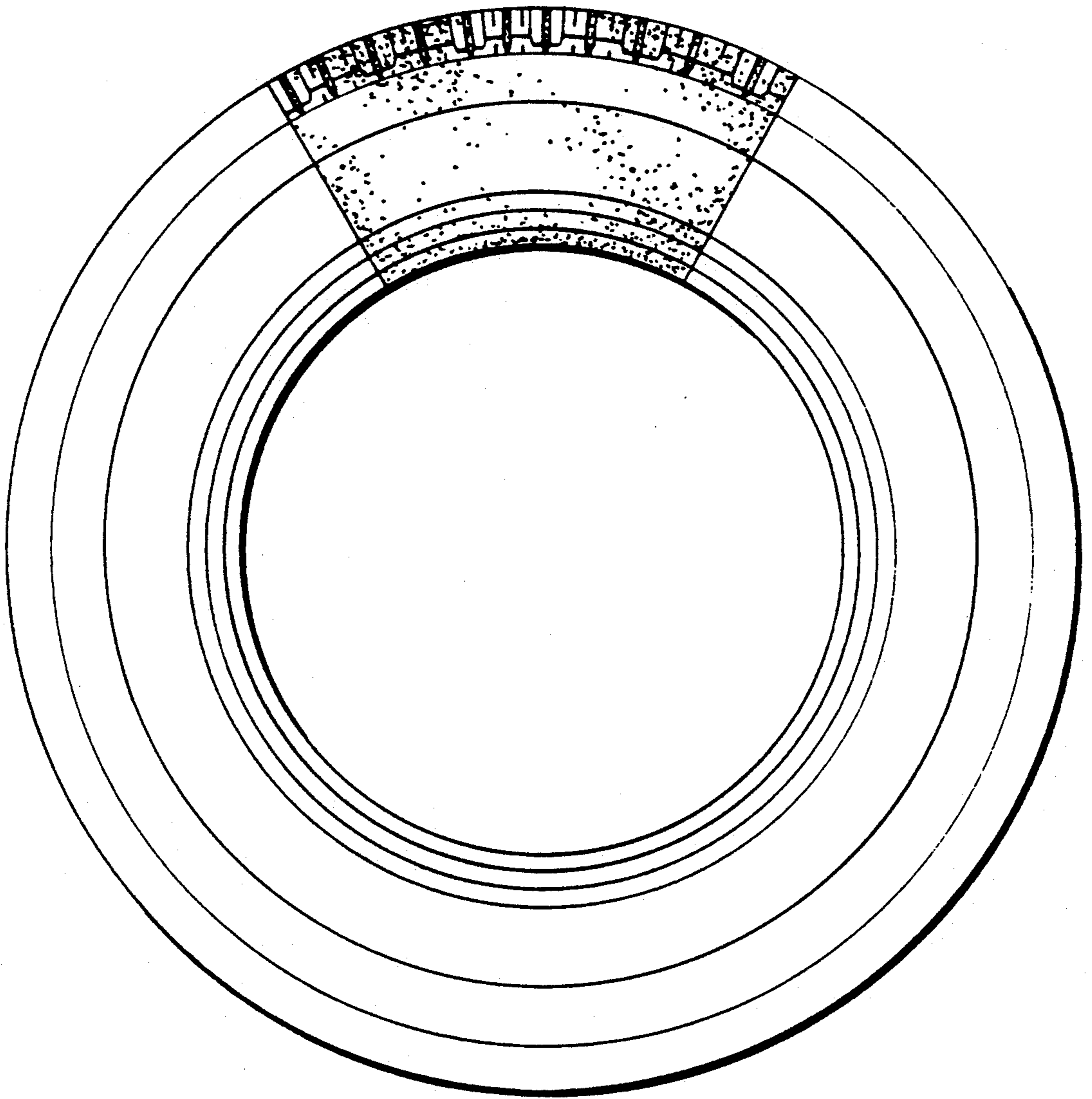


FIG. 3