



US00D335835S

United States Patent [19]

[11] Patent Number: **Des. 335,835**

Marui

[45] Date of Patent: **** May 25, 1993**

[54] **STRAP END BUTTON**

[75] Inventor: **Shinji Marui, Kobe, Japan**

[73] Assignee: **Marui Ltd., Kobe, Japan**

[**] Term: **14 Years**

[21] Appl. No.: **505,527**

[22] Filed: **Apr. 6, 1990**

[52] U.S. Cl. **D11/218; D8/383; D11/87; D11/94; D11/200**

[58] Field of Search **D11/94, 86, 87, 200, D11/201, 208, 236-237, 218, 231, 217, 219, 232; 24/307-314, 323, 646, 650, 68 R, 170, 68 SK, 68 CD, 169, 198, 196, 163 R, 163 K, 191-193, 176, 200; D3/138-141; D8/356, 383; D2/627**

[56] **References Cited**

U.S. PATENT DOCUMENTS

D. 200,155	1/1965	Hedu	D11/87
D. 245,224	8/1977	Bowers	D8/356
D. 253,164	10/1979	Ingram	D8/383
D. 297,304	8/1988	Ito et al.	D11/200
D. 308,282	6/1990	Bergman et al.	D8/383
D. 310,166	8/1990	Fildan	D8/383
D. 319,174	8/1991	Flanigan	D8/383
2,467,204	4/1949	Greenberg	D11/94

3,148,427	9/1964	Hoffstrom	24/196
3,422,507	1/1969	Ikeda	D11/94
3,909,884	10/1975	Weckesser	24/313
4,419,792	12/1983	Kohli	24/307
4,502,188	3/1985	Kohli	24/170

OTHER PUBLICATIONS

Strap end button (sample #1).
Strap end button (sample #2).

Primary Examiner—A. Hugo Word
Assistant Examiner—R. Seifert
Attorney, Agent, or Firm—Graham & James

[57] **CLAIM**

The ornamental design for a strap end button, as shown and described.

DESCRIPTION

FIG. 1 is a perspective view of a strap end button showing my design; the broken line showing of a strap segment is for illustrative purposes only and forms no part of the claimed design;

FIG. 2 is a rear elevational view;
FIG. 3 is a side elevational view;
FIG. 4 is a front elevational view;
FIG. 5 is a top plan view; and,
FIG. 6 is a bottom plan view.

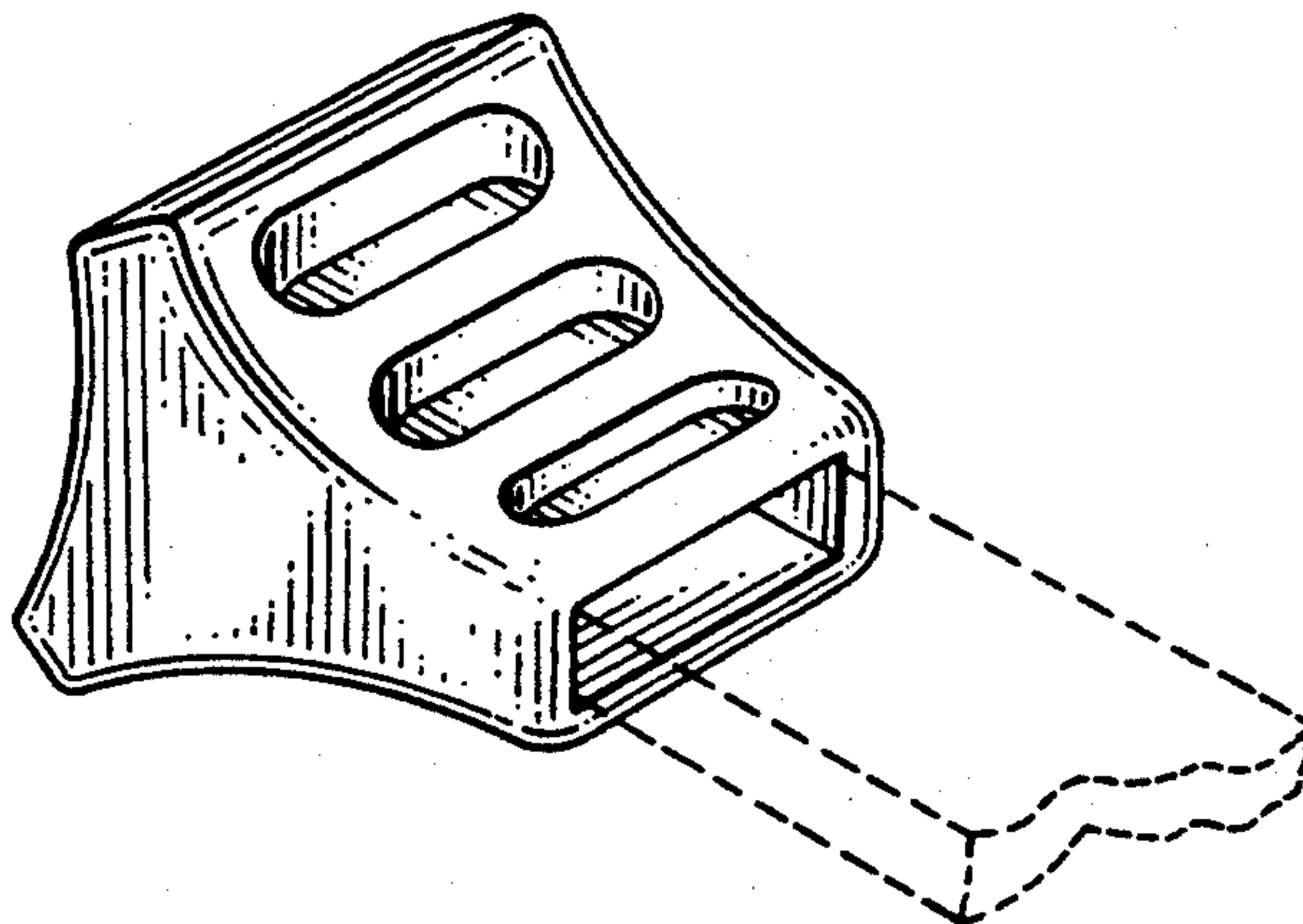


FIG. 1

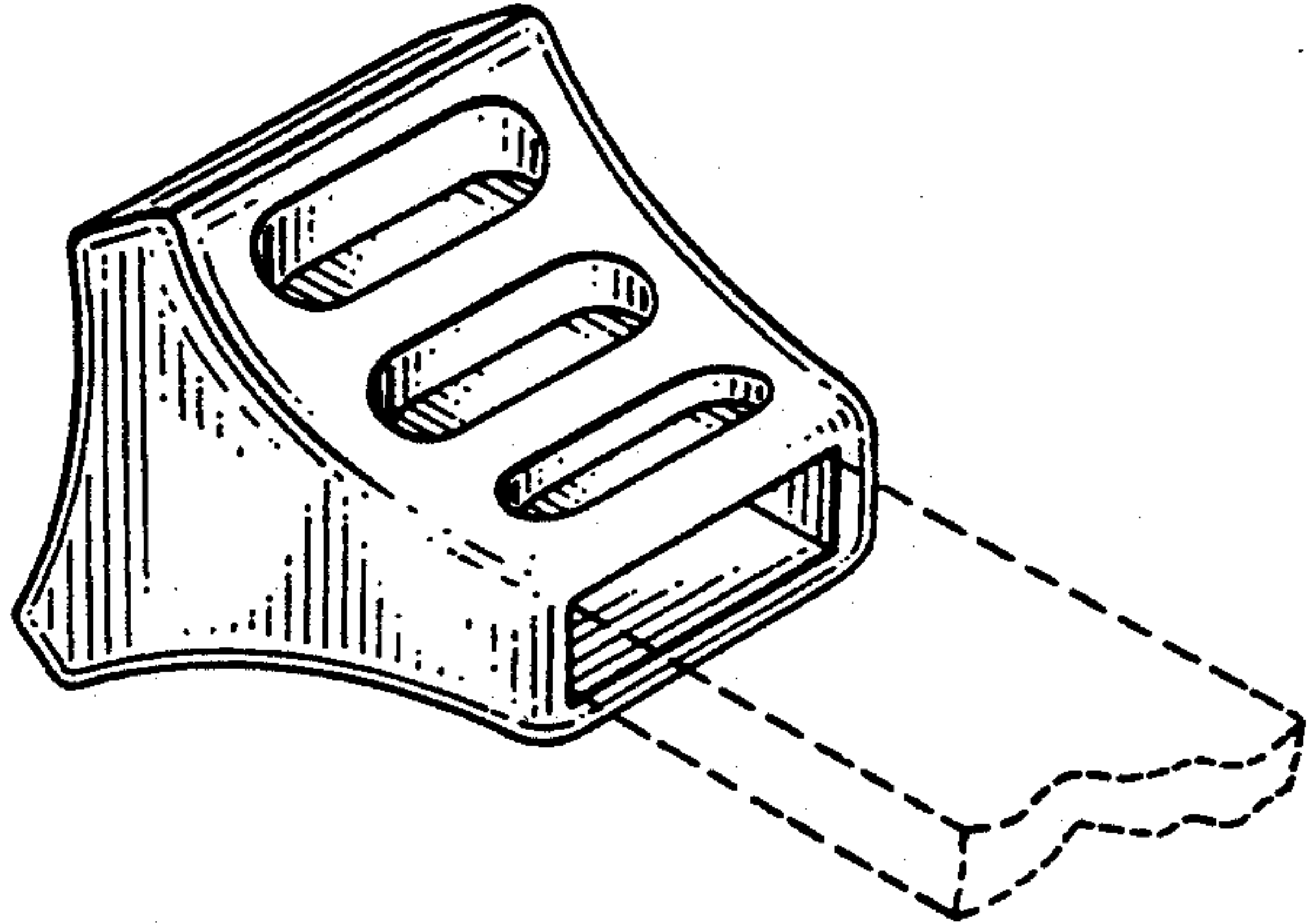


FIG. 2

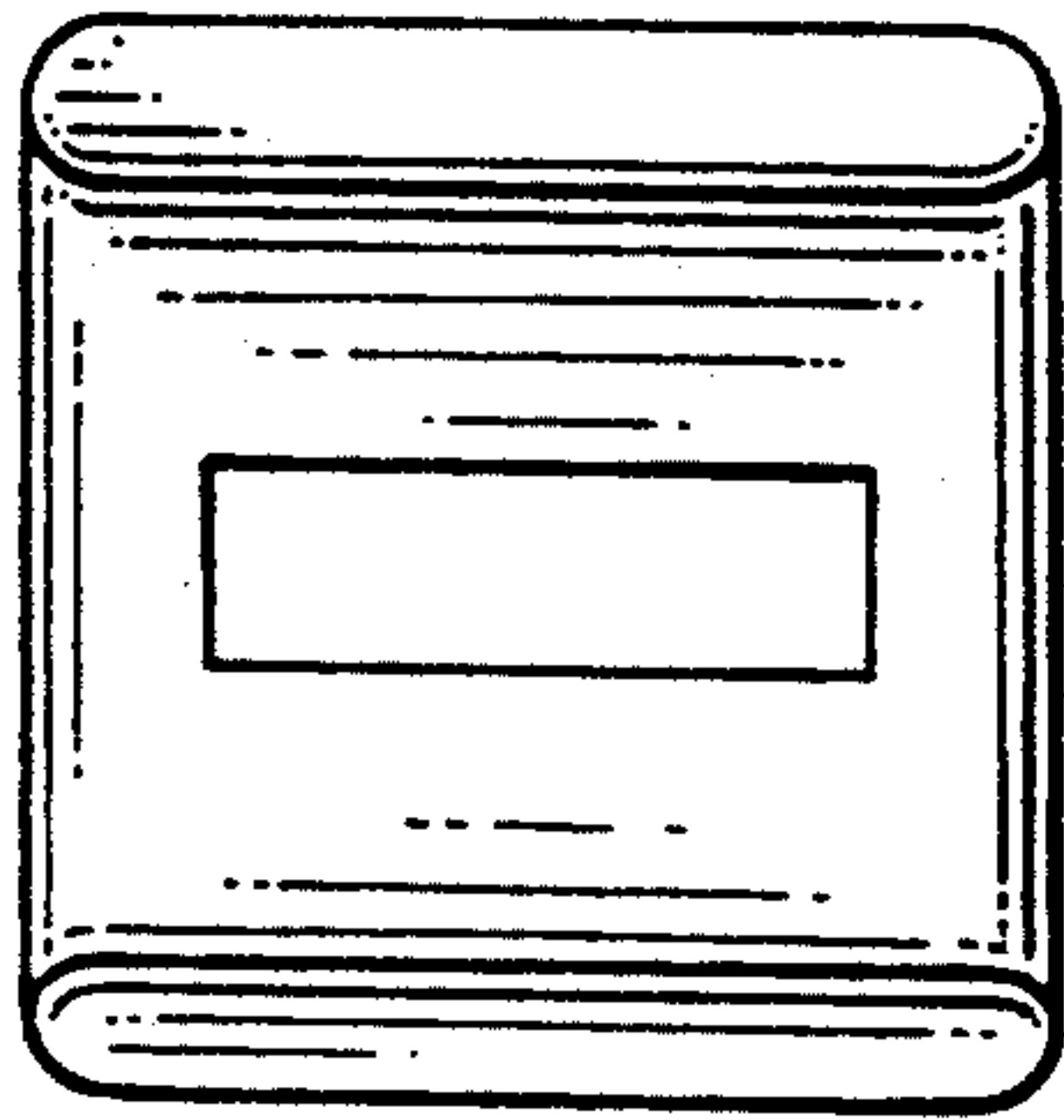


FIG. 3

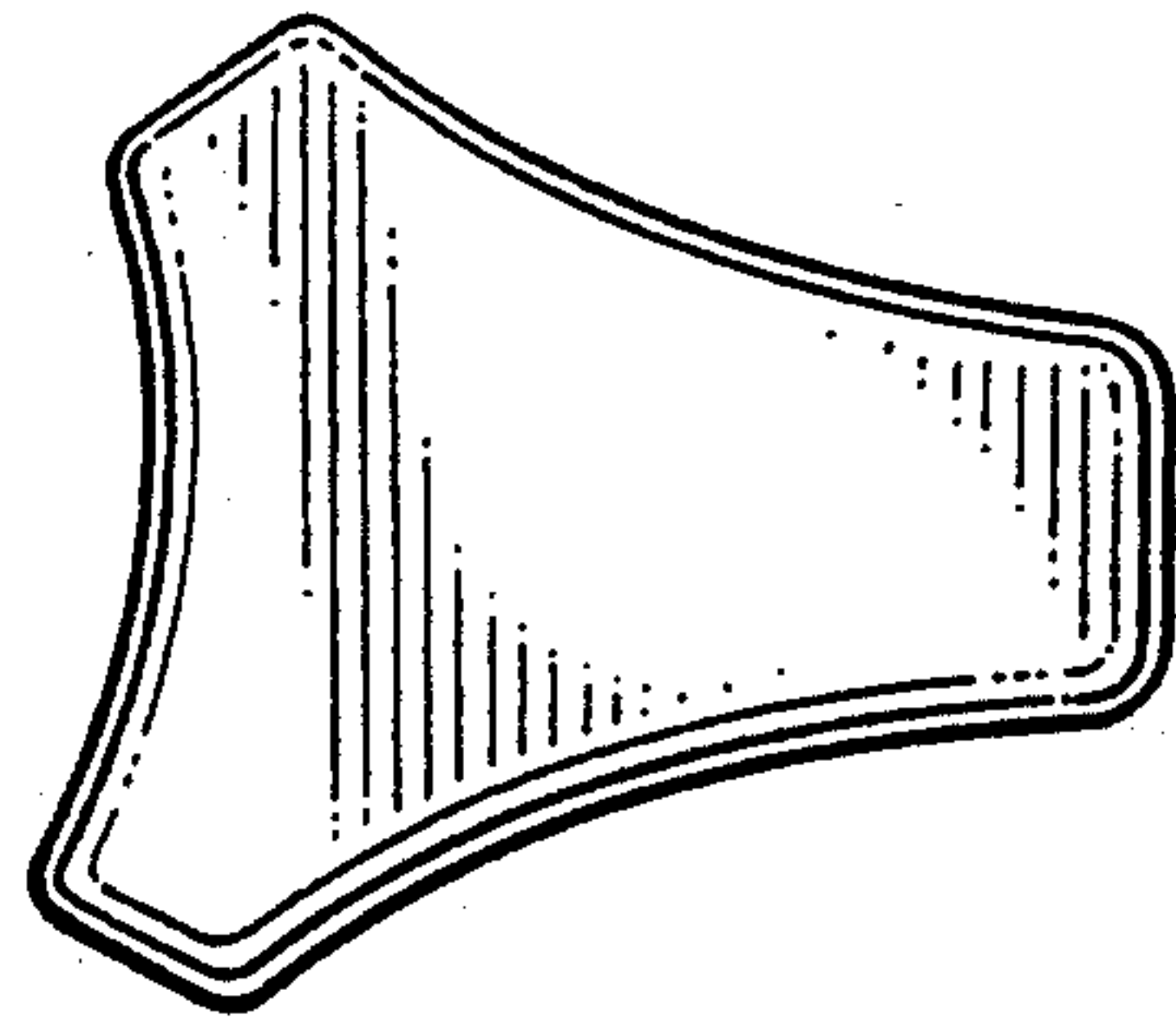


FIG. 4

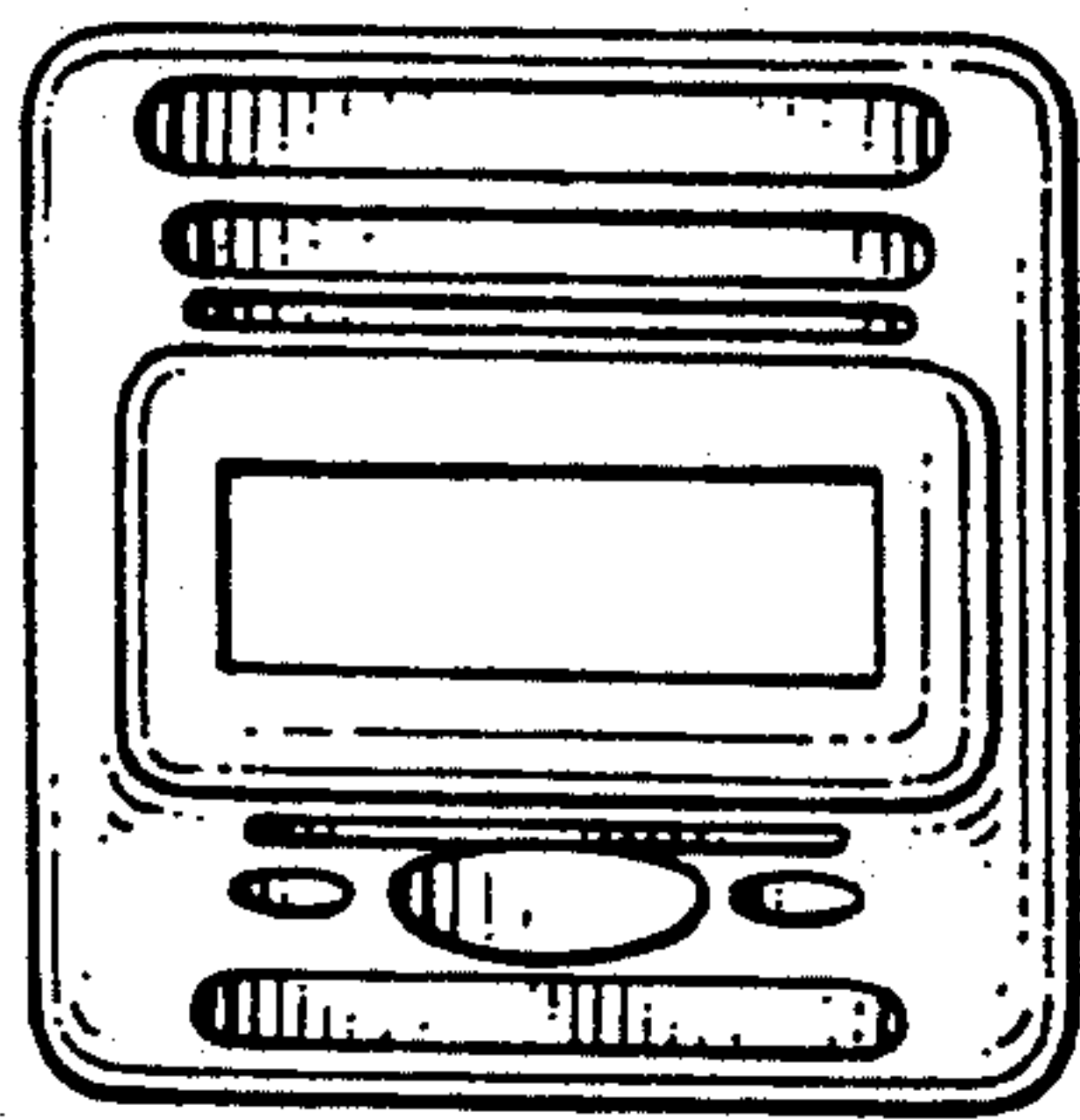


FIG. 5

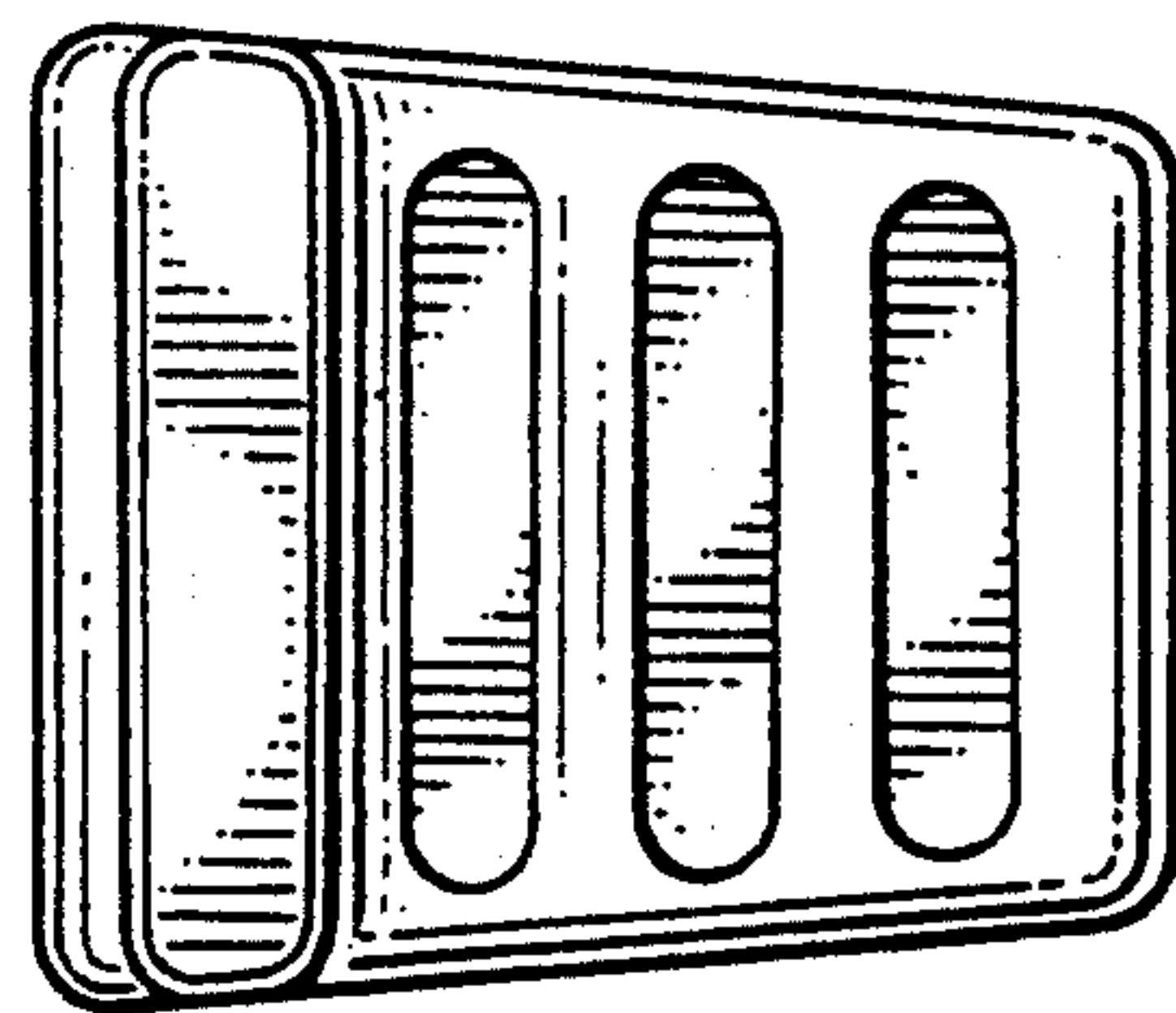


FIG. 6

