



US00D335828S

United States Patent [19]

[11] Patent Number: **Des. 335,828**

Edwards

[45] Date of Patent: **** May 25, 1993**

[54] FLOOD DETECTING DEVICE CASE

[76] Inventor: **Jeffrey M. Edwards**, 13428 Maxella Ave., No. 222, Marina del Rey, Calif. 90292

[**] Term: **14 Years**

[21] Appl. No.: **648,951**

[22] Filed: **Feb. 1, 1991**

[52] U.S. Cl. **D10/101**

[58] Field of Search **D10/96, 101; 73/290 R, 73/304 R; 328/64; 340/539, 603, 604, 605, 616, 620**

[56] **References Cited**

U.S. PATENT DOCUMENTS

- D. 282,247 1/1986 Faris et al. D10/101
- D. 317,579 6/1991 Shalvi D10/101

- 4,804,947 2/1989 Geleziunas 340/620
- 4,922,226 5/1990 Hsich et al. 73/292 X
- 5,008,653 4/1991 Kidd et al. 73/304 R X
- 5,066,944 11/1991 Slocum 340/603
- 5,121,631 6/1992 Koon 73/290 R

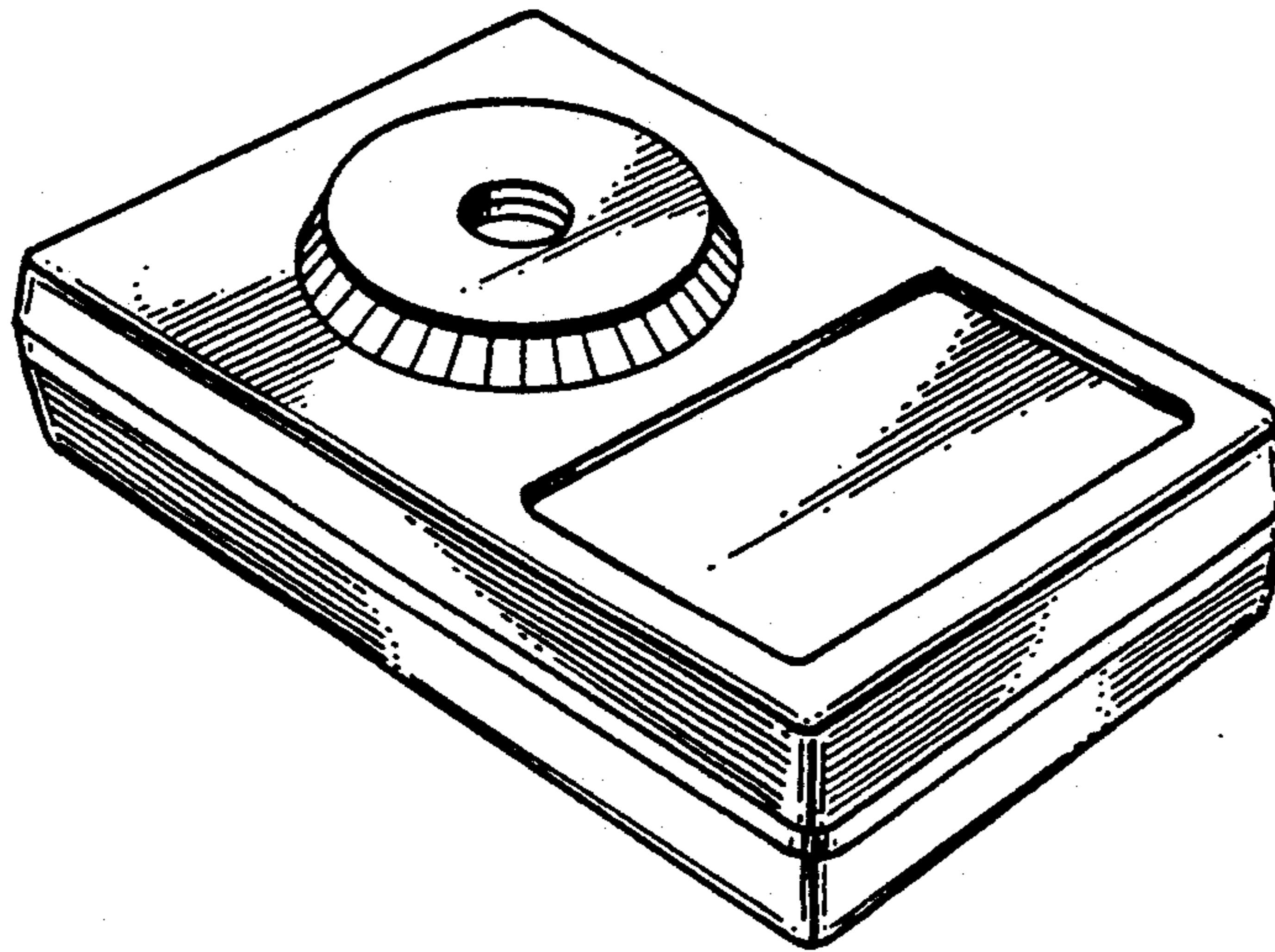
Primary Examiner—Alan P. Douglas
Assistant Examiner—Antoine D. Davis
Attorney, Agent, or Firm—Poms, Smith, Lande & Rose

[57] **CLAIM**

The ornamental design for a flood detecting device case, as shown and described.

DESCRIPTION

FIG. 1 is a right, front, and top perspective view of the flood detecting device case;
FIG. 2 is a left, rear and bottom perspective view of the case shown in FIG. 1;
FIG. 3 is a front view of the case shown in FIG. 1; and,
FIG. 4 is a left side view of the case shown in FIG. 1.



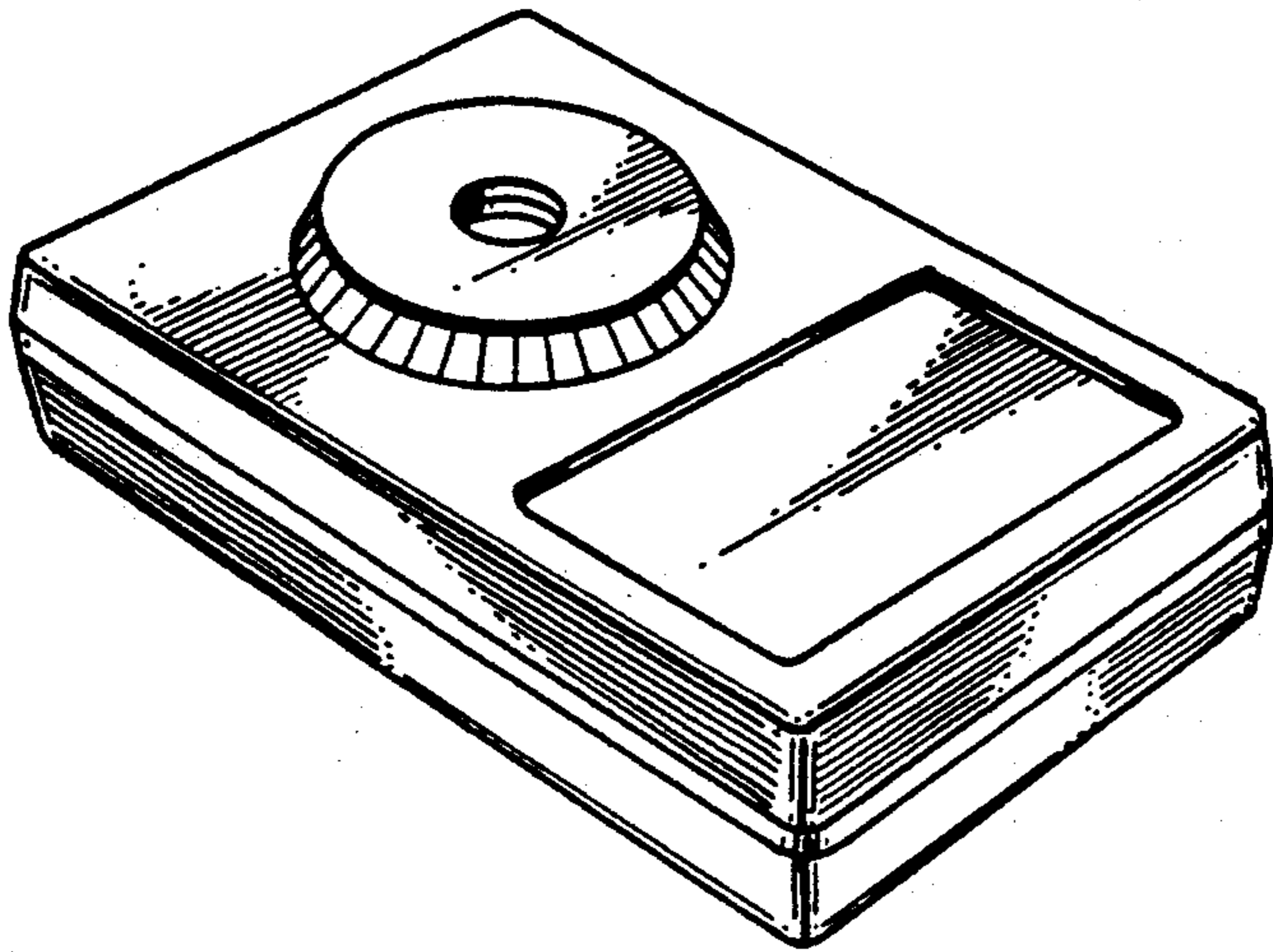


Fig. 1.

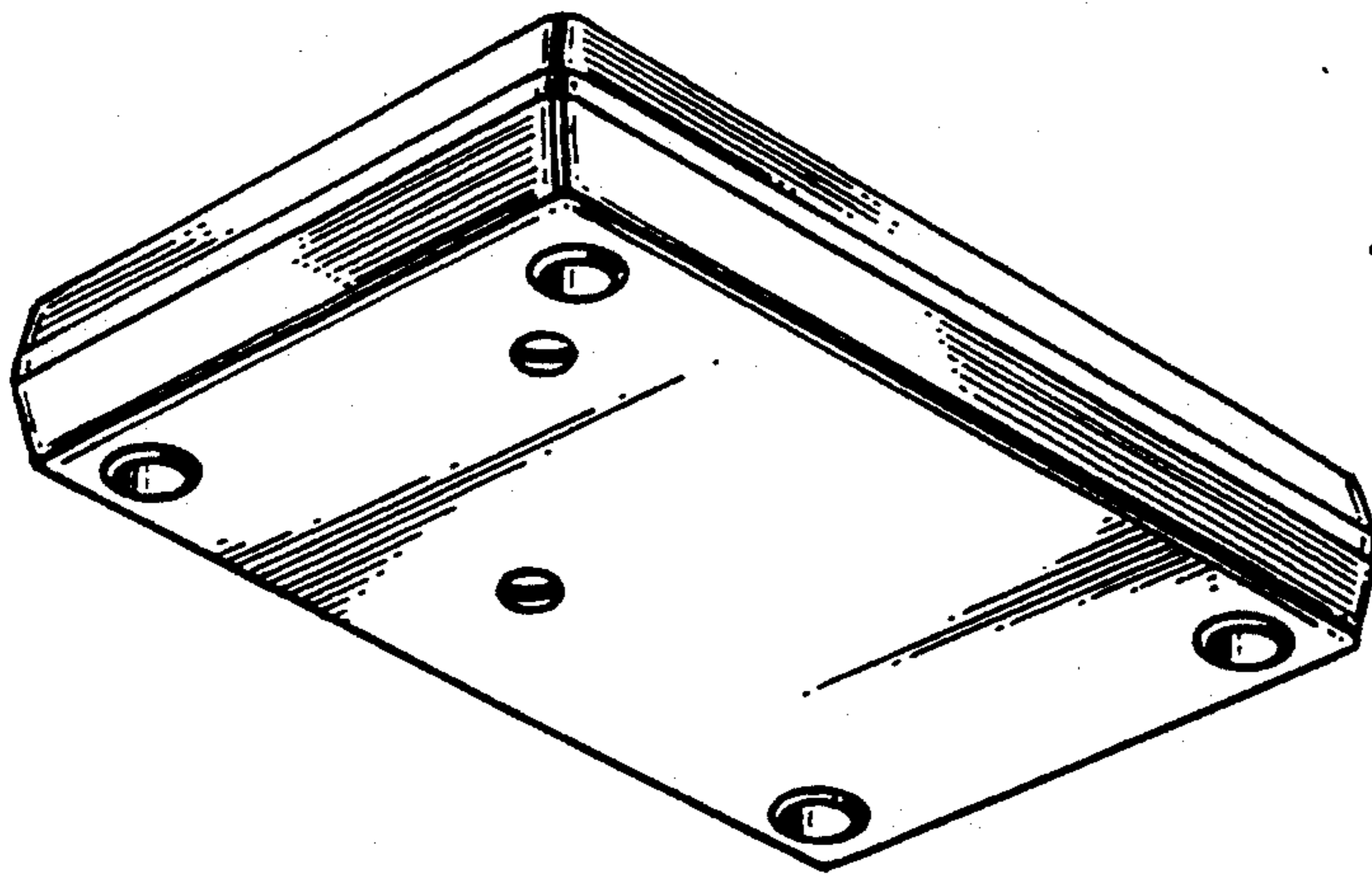


Fig. 2.

Fig. 3.

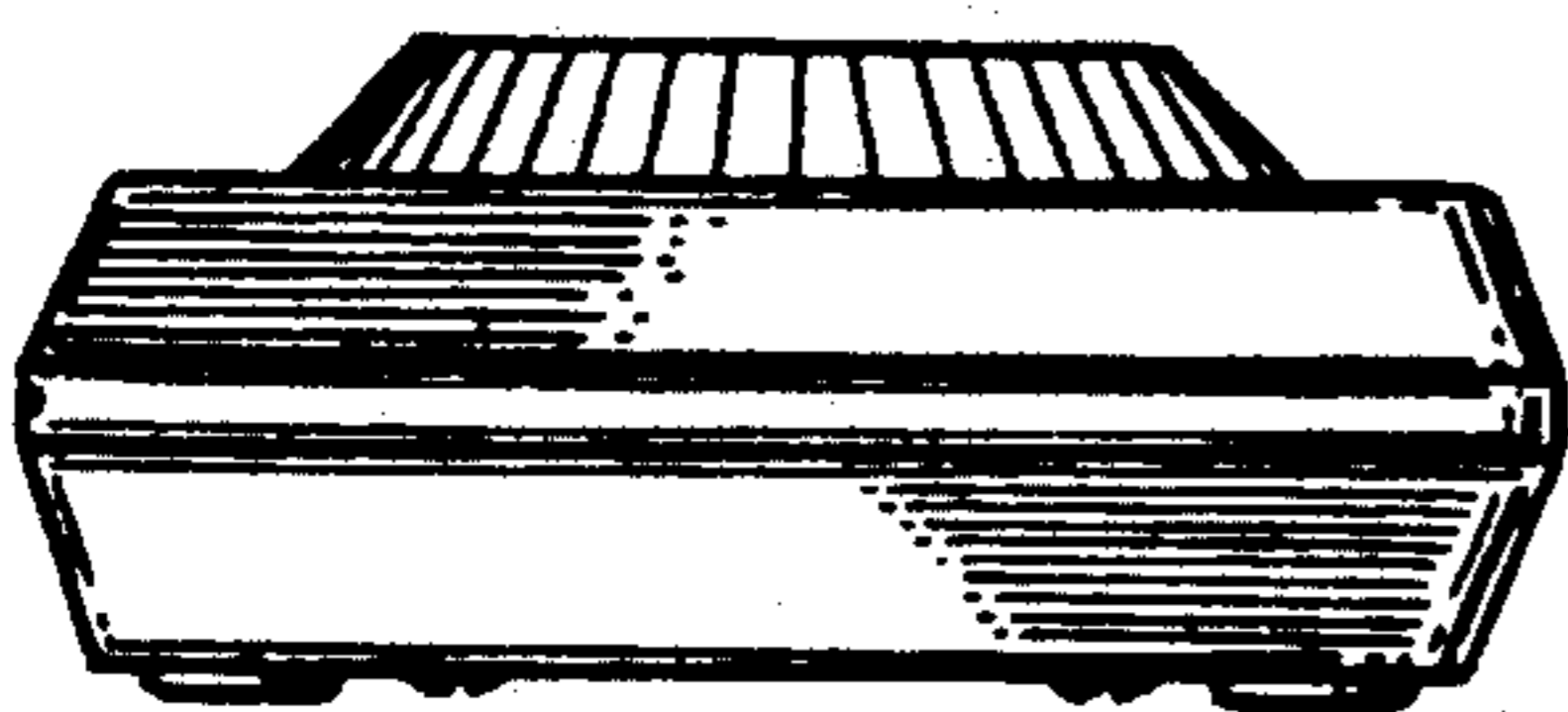


Fig. 4.

