



US00D335825S

United States Patent [19]

[11] Patent Number: **Des. 335,825**

Jopt et al.

[45] Date of Patent: **** May 25, 1993**

[54] **DRAWING HEAD FOR A DRAWING MACHINE**

4,246,703	1/1981	Robinet	33/430
4,520,573	6/1985	Otten	33/438
4,625,410	12/1986	Edee	33/1 M
4,738,029	4/1988	Held	33/18.1

[75] Inventors: **Uwe Jopt; Heinrich Otten**, both of Wilhelmshaven; **Georg Kaluza, Velbert**, all of Fed. Rep. of Germany

Primary Examiner—Nelson C. Holtje
Assistant Examiner—Antoine D. Davis
Attorney, Agent, or Firm—Merchant & Gould, Smith, Edell, Welter & Schmidt

[73] Assignee: **Franz Kuhlmann Prazisionsmechanik und Maschinenbau GmbH & Co.**, Wilhelmshaven, Fed. Rep. of Germany

[57] **CLAIM**

[**] Term: **14 Years**

The ornamental design for a drawing head for a drawing machine, as shown.

[21] Appl. No.: **668,444**

DESCRIPTION

[22] Filed: **Mar. 13, 1991**

FIG. 1 is a top perspective view, the broken line showing of partially disclosed straight edges and drafting board are for illustrative purposes only and forms no part of the claimed design;

[52] U.S. Cl. **D10/74; D10/63**

FIG. 2 is a top plan view;

[58] Field of Search **D10/63, 74; 33/430, 33/438-442, 1 M, 18.1**

FIG. 3 is a bottom plan view;

FIG. 4 is a plan view of one side;

FIG. 5 is a plan view of the other side;

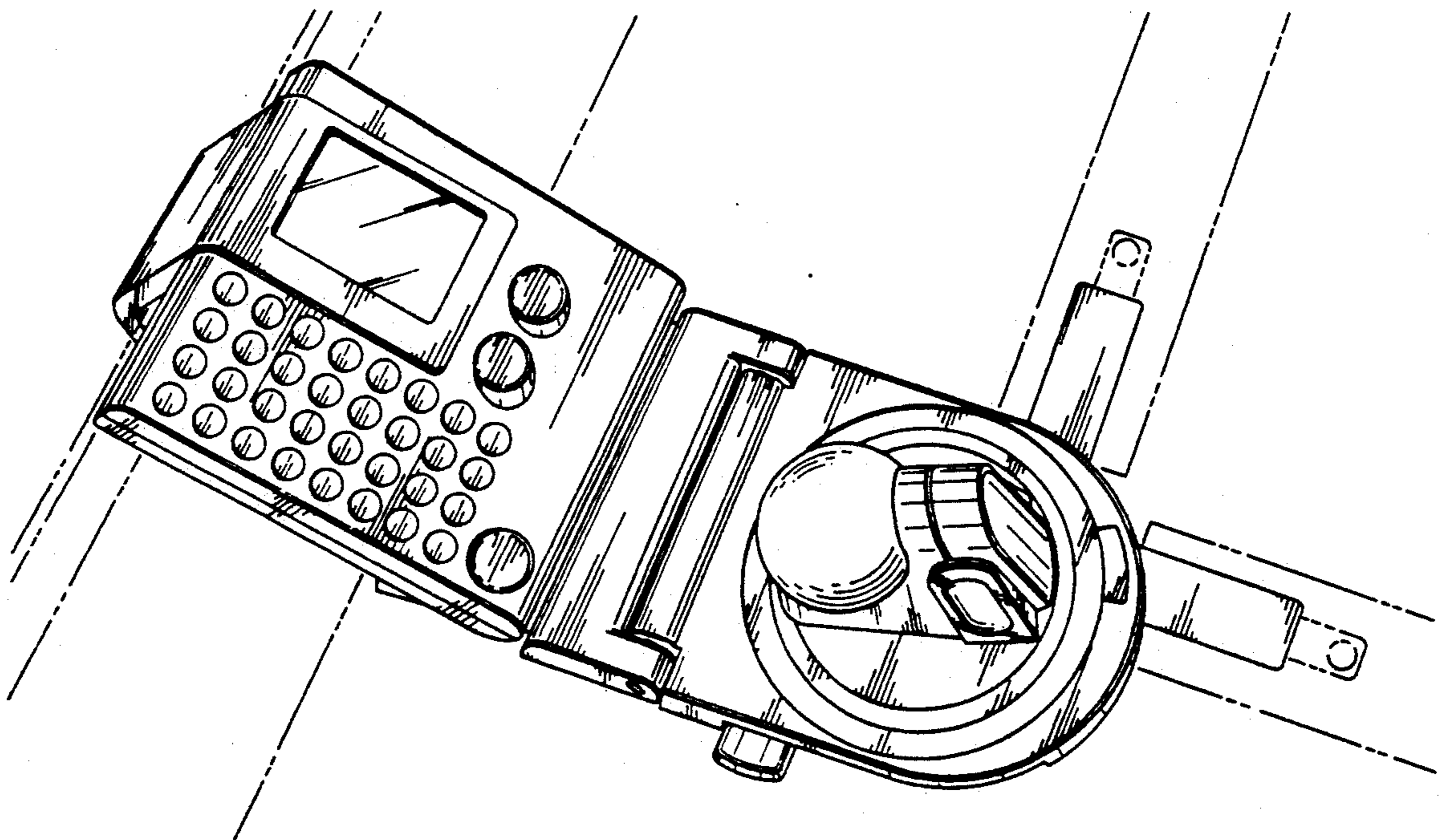
FIG. 6 is an end view; and,

FIG. 7 is a front view.

[56] **References Cited**

U.S. PATENT DOCUMENTS

D. 261,274	10/1981	Gobeli	D10/63 X
4,241,512	12/1980	Chikanobu et al.	33/438



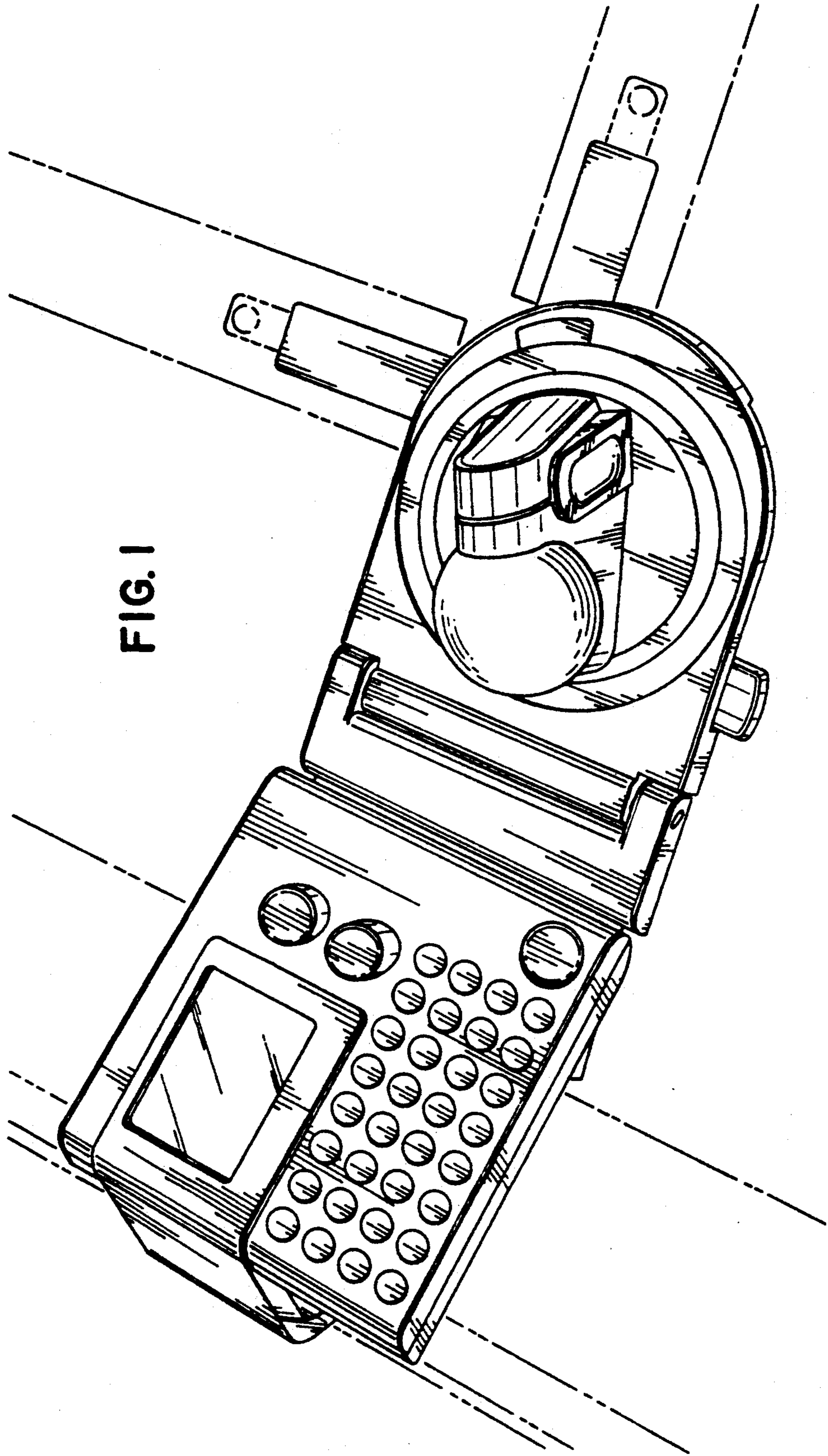
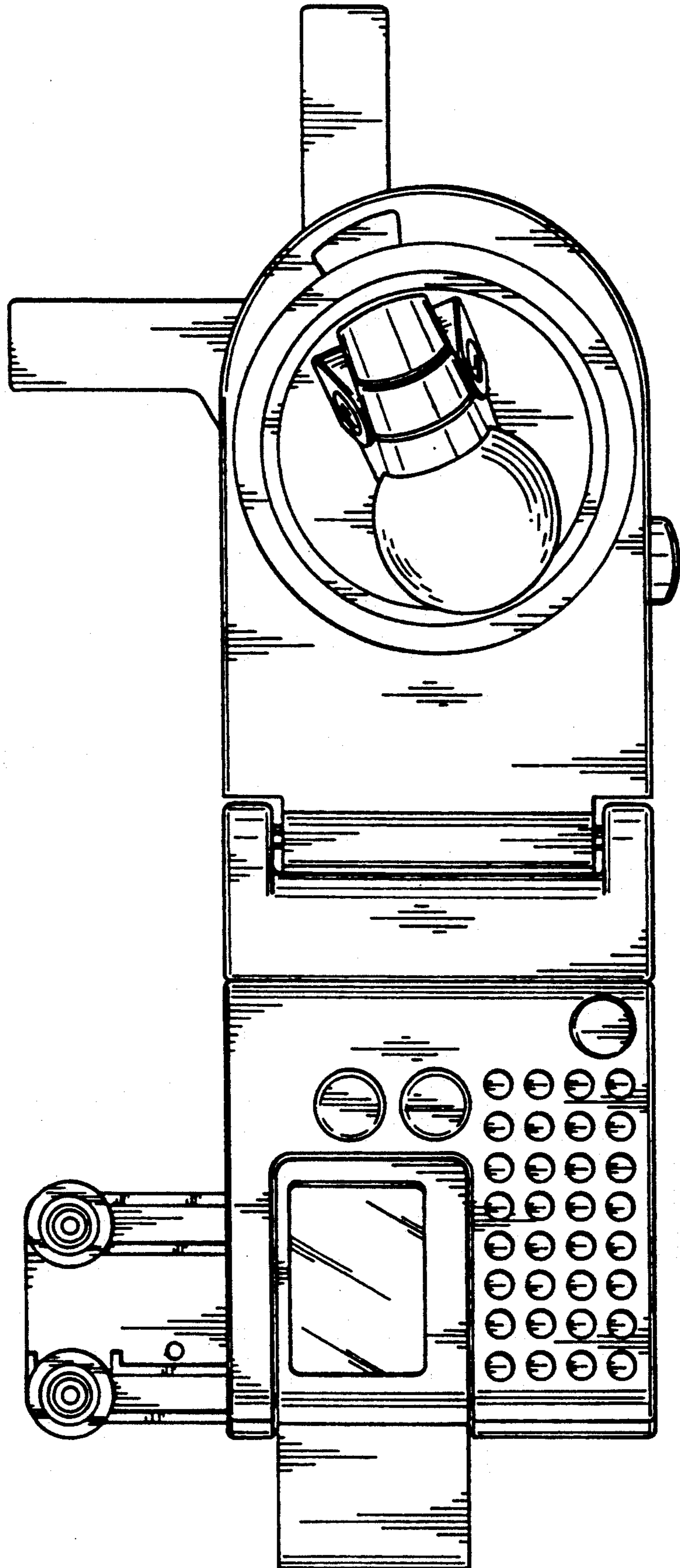


FIG. 1

FIG. 2



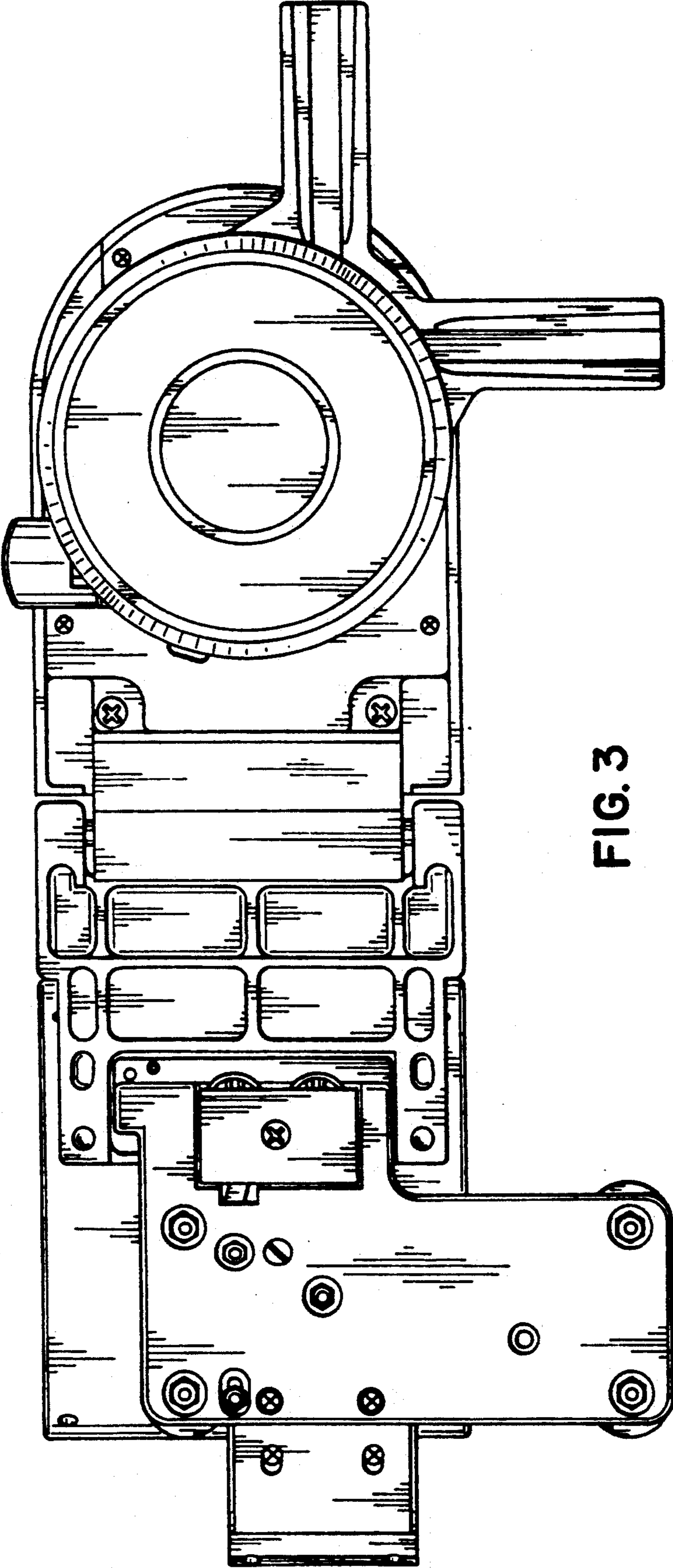


FIG. 3

FIG. 4

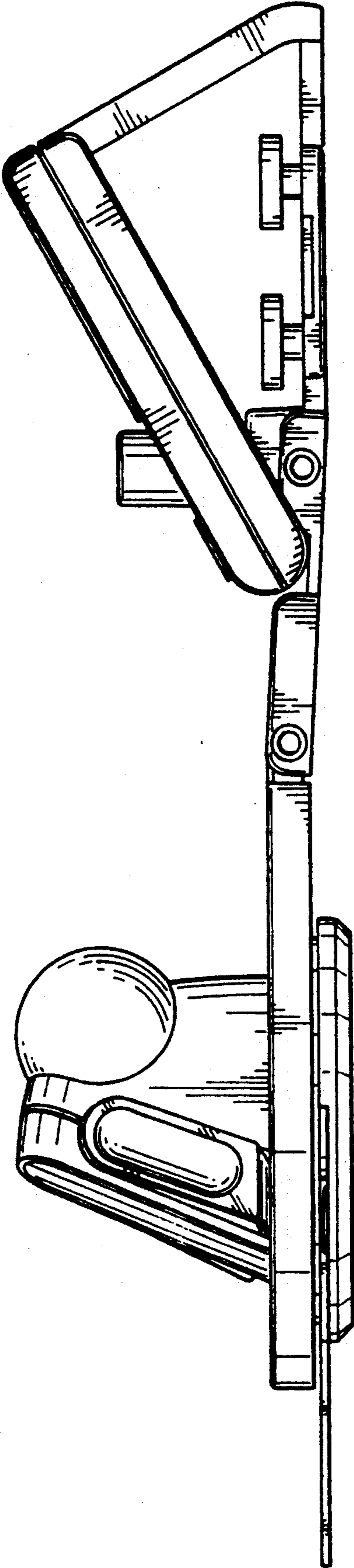


FIG. 5

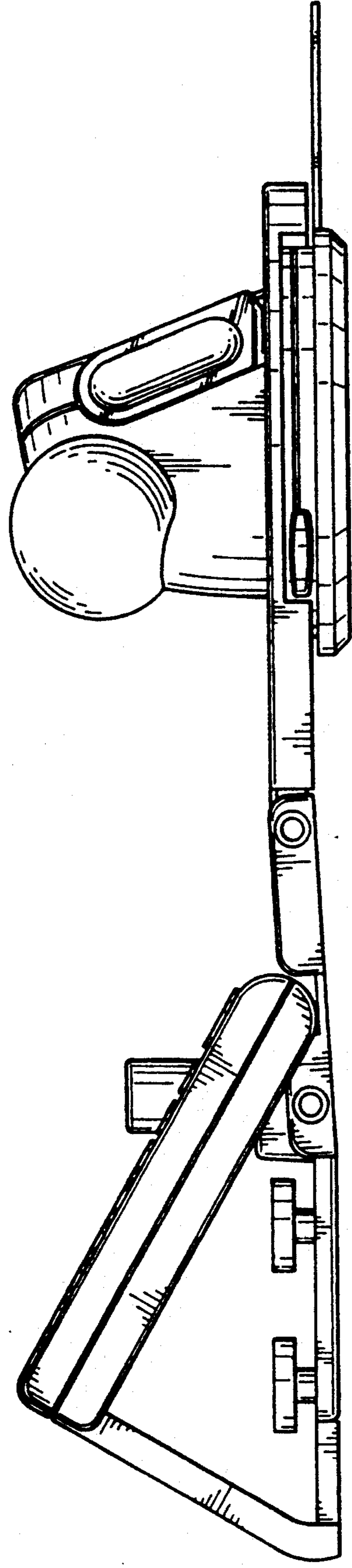


FIG. 6

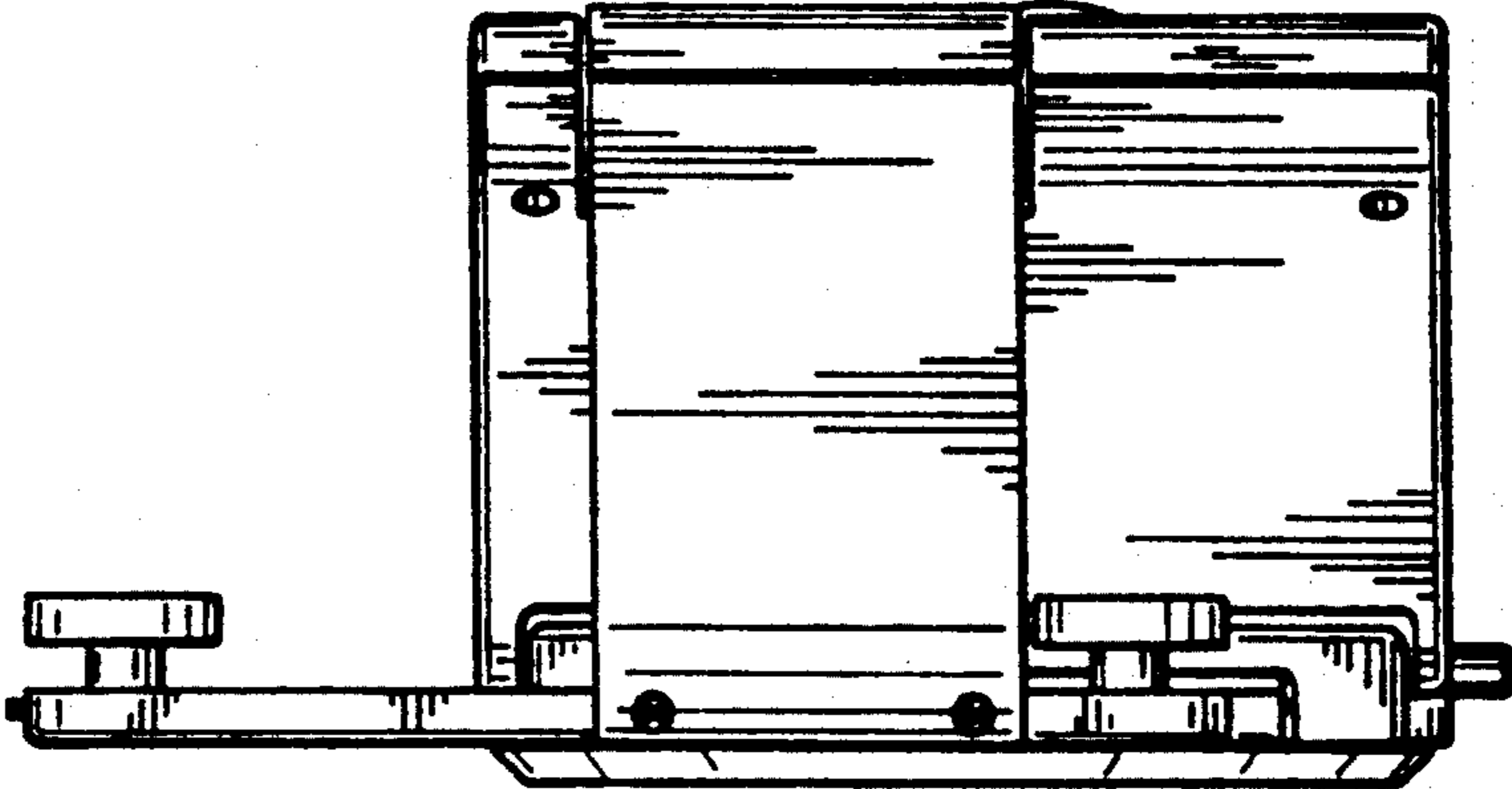


FIG. 7

