



US00D335823S

United States Patent [19]

[11] Patent Number: **Des. 335,823**

Shapiro et al.

[45] Date of Patent: **** May 25, 1993**

[54] PROTRACTOR

[75] Inventors: **Bruce Shapiro, Northbrook; Gunar Narubin, Chicago, both of Ill.**

[73] Assignee: **Creative Works, L.P., Northbrook, Ill.**

[**] Term: **14 Years**

[21] Appl. No.: **717,123**

[22] Filed: **Jun. 18, 1991**

[52] U.S. Cl. **D10/64; D10/62**

[58] Field of Search **D10/62, 64, 71; 33/403, 33/421, 422, 423, 424, 425, 426, 430, 431, 435, 465, 471, 472, 495, 496, 497, 498, 499, 500, 563, 565**

[56] References Cited

U.S. PATENT DOCUMENTS

D. 328,256	7/1992	Harvey	D10/64
346,519	8/1886	Tybjerg	D10/62 X
665,316	1/1901	Fay	33/403
1,331,415	2/1920	Civitts	33/471

FOREIGN PATENT DOCUMENTS

99505 10/1898 Fed. Rep. of Germany 33/424
998537 1/1952 France 33/471

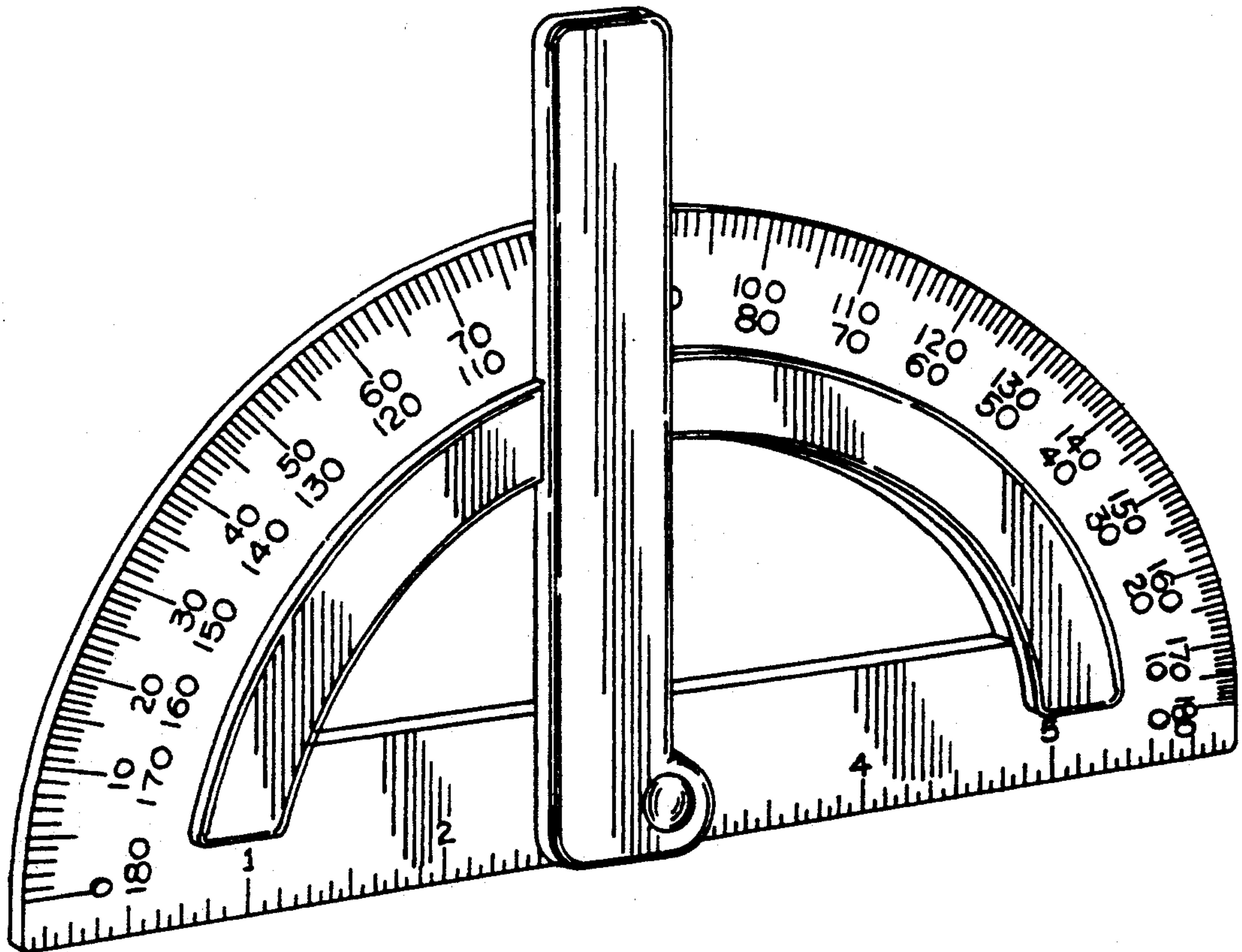
Primary Examiner—Alan P. Douglas
Assistant Examiner—Antoine D. Davis
Attorney, Agent, or Firm—Dressler, Goldsmith, Sutker & Milnamow, Ltd.

[57] CLAIM

The ornamental design for a protractor, as shown and described.

DESCRIPTION

FIG. 1 is a perspective of a protractor showing our new design;
FIG. 2 is a front elevational view of the protractor shown in FIG. 1;
FIG. 3 is a rear elevational view of the protractor shown in FIG. 1;
FIG. 4 is a left side elevational view of the protractor shown in FIG. 1;
FIG. 5 is a right side elevational view of the protractor shown in FIG. 1;
FIG. 6 is a top plan view of the protractor shown in FIG. 1; and,
FIG. 7 is a bottom plan view of the protractor shown in FIG. 1.



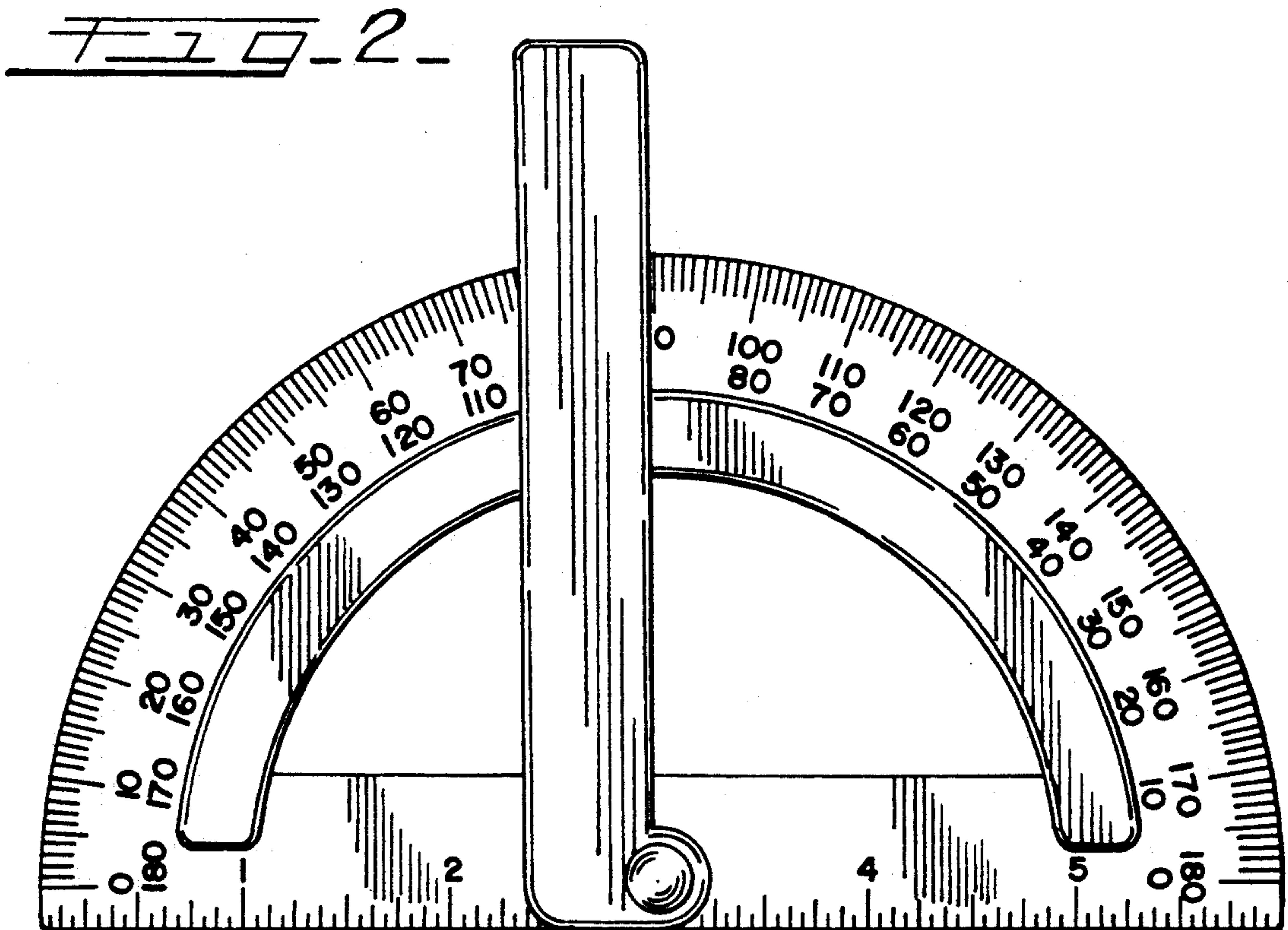
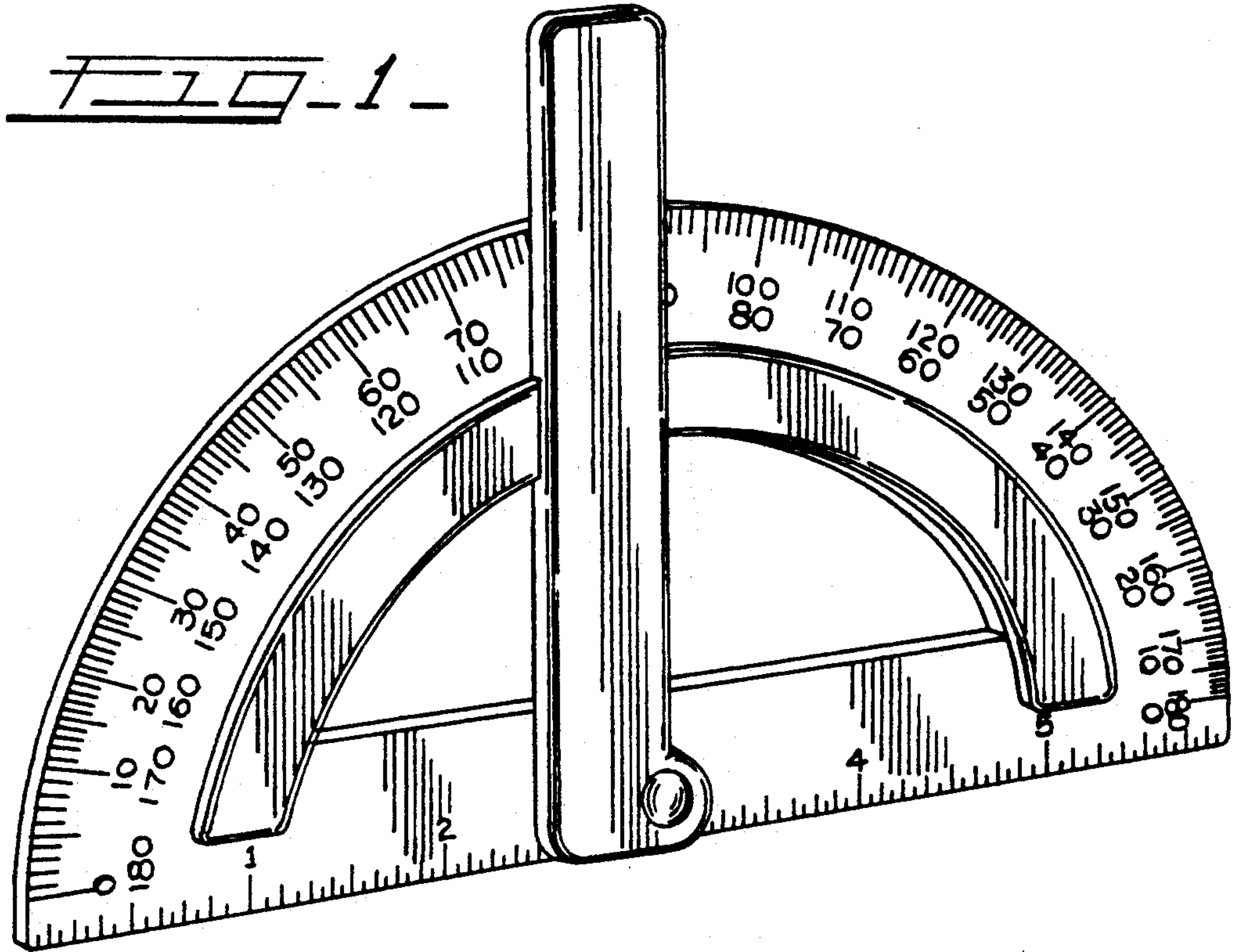


FIG-5-

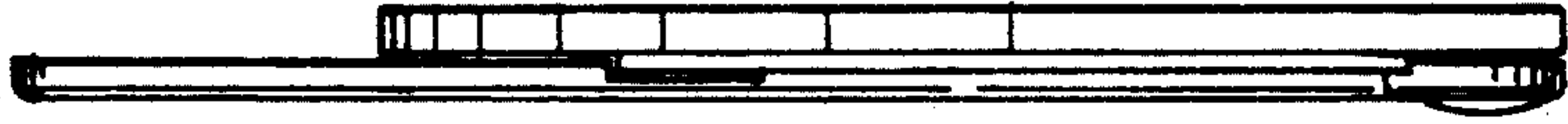


FIG-4-



FIG-3-

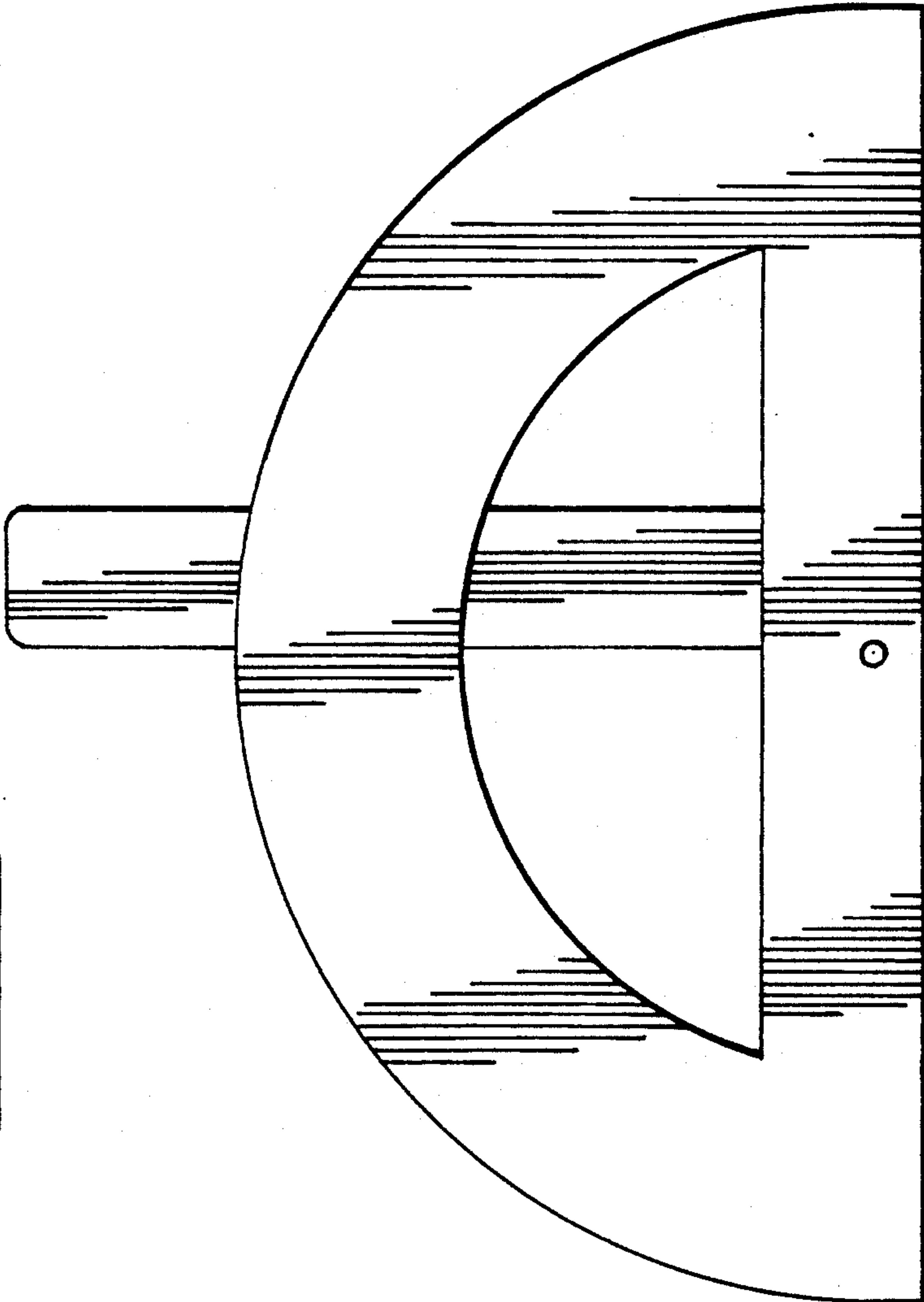


FIG-6-



FIG-7-

