



US00D335821S

United States Patent [19]

[11] Patent Number: **Des. 335,821**

Detert et al.

[45] Date of Patent: **** May 25, 1993**

[54] **FOOD PACKAGE**

[75] Inventors: **Kenneth M. Detert, Madison, Wis.;**
Theodore J. Hasler, Chicago, Ill.

[73] Assignee: **Oscar Mayer Foods Corporation,**
Madison, Wis.

[**] Term: **14 Years**

[21] Appl. No.: **625,529**

[22] Filed: **Dec. 11, 1990**

[52] U.S. Cl. **D9/418; D9/345;**
D9/341

[58] Field of Search **D9/418, 415, 424, 425,**
D9/431, 387; D7/550, 553, 554, 602;
206/45.31, 45.34, 216, 541, 469, 562, 563;
229/162, 403, DIG. 13; 220/501, 4 R, 4 C, 4 D,
DIG. 10; 426/106-122

[56] **References Cited**

U.S. PATENT DOCUMENTS

- D. 232,612 9/1974 Christian et al. D9/425 X
- D. 243,914 4/1977 Marubashi et al. D9/425 X
- D. 263,796 4/1982 Fireman D9/418
- D. 265,551 7/1982 Colby et al. .
- D. 282,821 3/1986 Noyes .
- D. 305,204 12/1989 Reifein et al. .
- D. 305,205 12/1989 Grindrod et al. .
- D. 318,207 7/1991 Anderson D7/553 X
- 2,106,276 1/1938 Heineman .
- 2,921,673 1/1960 Ryan .
- 3,079,913 3/1963 Nelson 426/114 X
- 3,334,734 8/1967 Meyers .
- 3,339,724 9/1967 Hickin .
- 3,487,915 1/1970 Scott .
- 3,759,720 9/1973 Young 426/114
- 3,784,000 1/1974 Brown .
- 4,013,798 3/1977 Goltos .

- 4,097,611 6/1978 Seiferth et al. .
- 4,114,760 9/1978 Entermann 206/562
- 4,487,311 12/1984 Lavery .
- 4,903,842 2/1990 Tokuda et al. 206/469 X
- 5,042,652 5/1991 Grindrod 206/45.34

OTHER PUBLICATIONS

Restaurant Equipment Dealer, Jun. 1967, p. 2, Trays as shown.

Rubbermaid Food Service, Cat. Apr. 1980, p. 9, Pans as shown.

American Permanent Ware, Cat. No. 15-1, Jan. 1972, front page, as shown.

Primary Examiner—Bernard Ansher
Assistant Examiner—Prabhakar Deshmukh
Attorney, Agent, or Firm—Joseph T. Harcarik

[57] **CLAIM**

The ornamental design for a food package, as shown and described.

DESCRIPTION

FIG. 1 is a top plan view of a food package showing our new design;

FIG. 2 is a front elevational view thereof; the rear elevational view being a mirror image thereof;

FIG. 3 is a right side elevational view thereof;

FIG. 4 is a left side elevational view thereof;

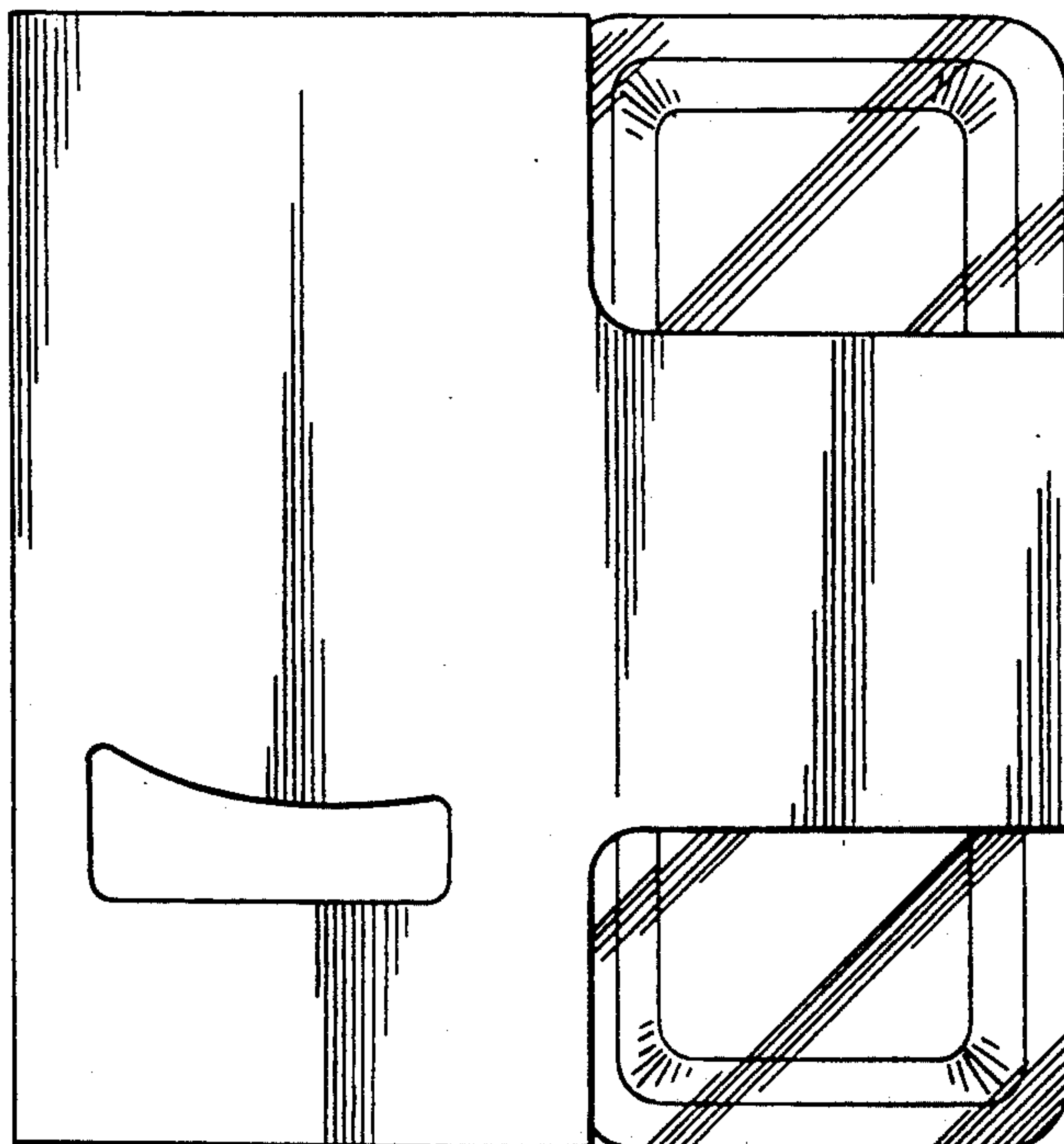
FIG. 5 is a bottom plan view thereof;

FIG. 6 is a top plan view thereof; in unfolded position;

FIG. 7 is a front elevational view of a tray in the package, shown separately for clarity of illustration; the top plan view is as shown in FIG. 6; the rear elevational view being identical to FIG. 7;

FIG. 8 is a right side elevational view of FIG. 7; the left side elevational view being identical to FIG. 7; and,

FIG. 9 is a bottom plan view of FIG. 7.



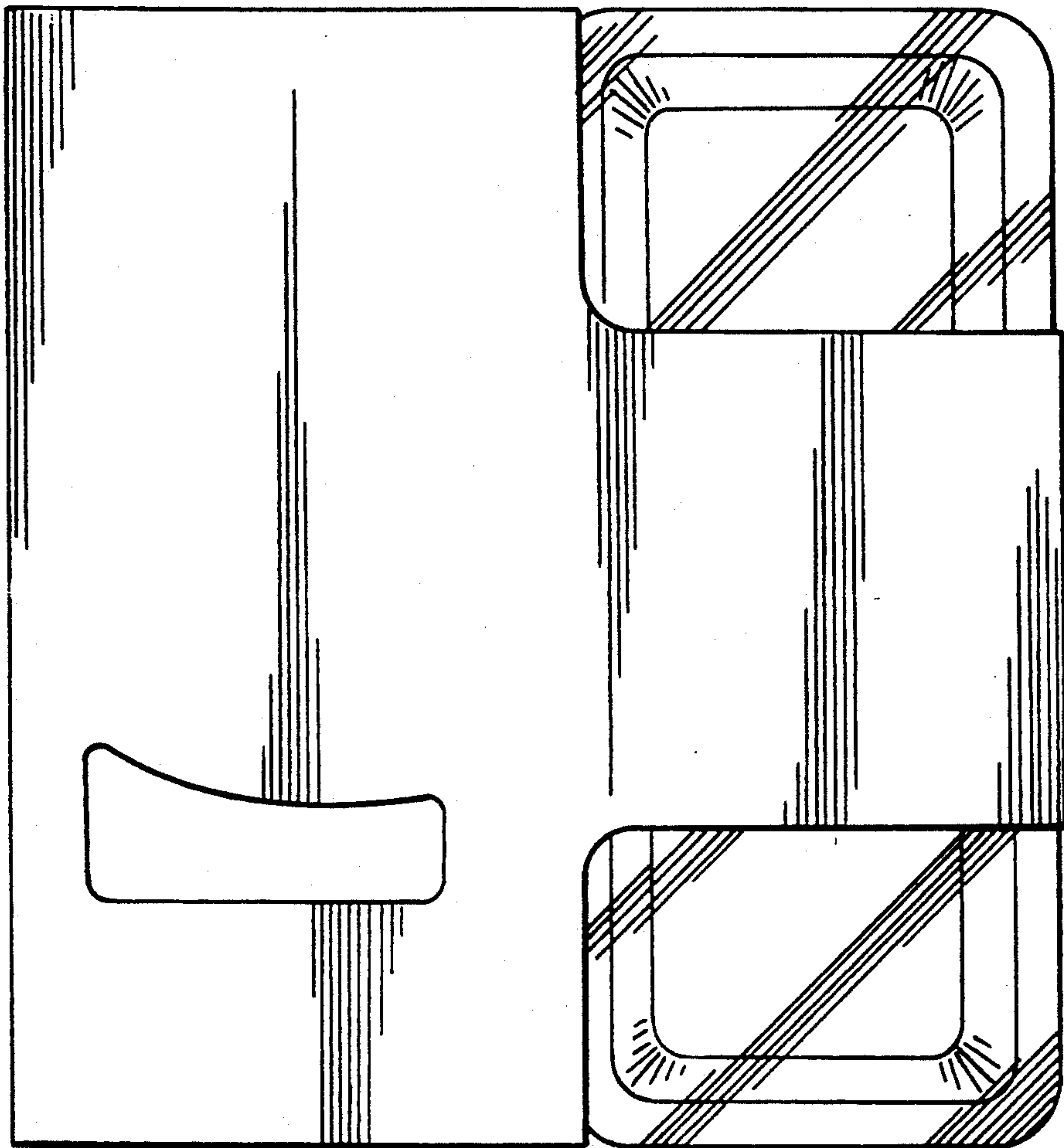


Fig. 1

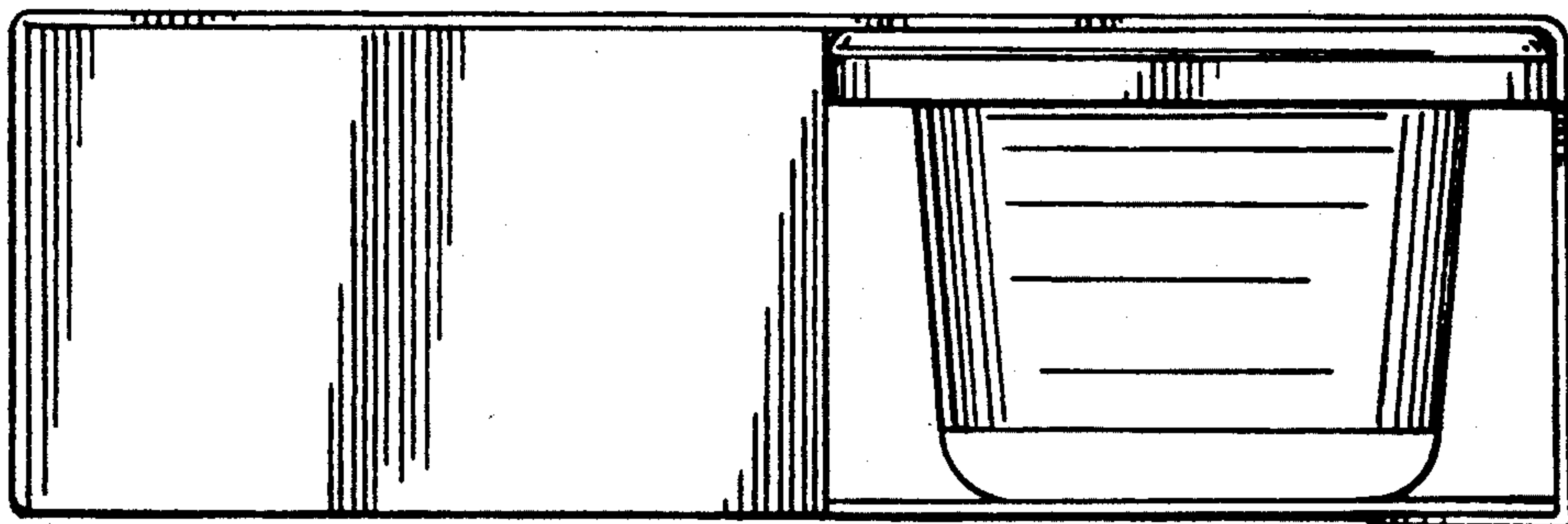


Fig. 2

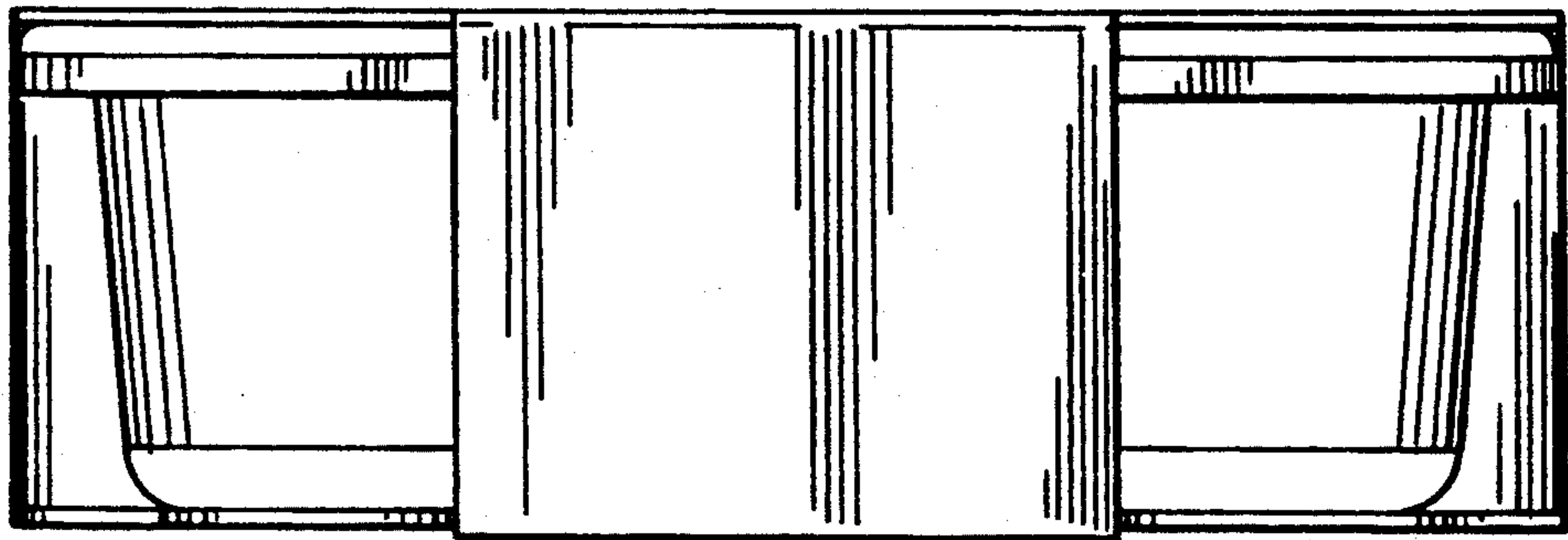


Fig. 3

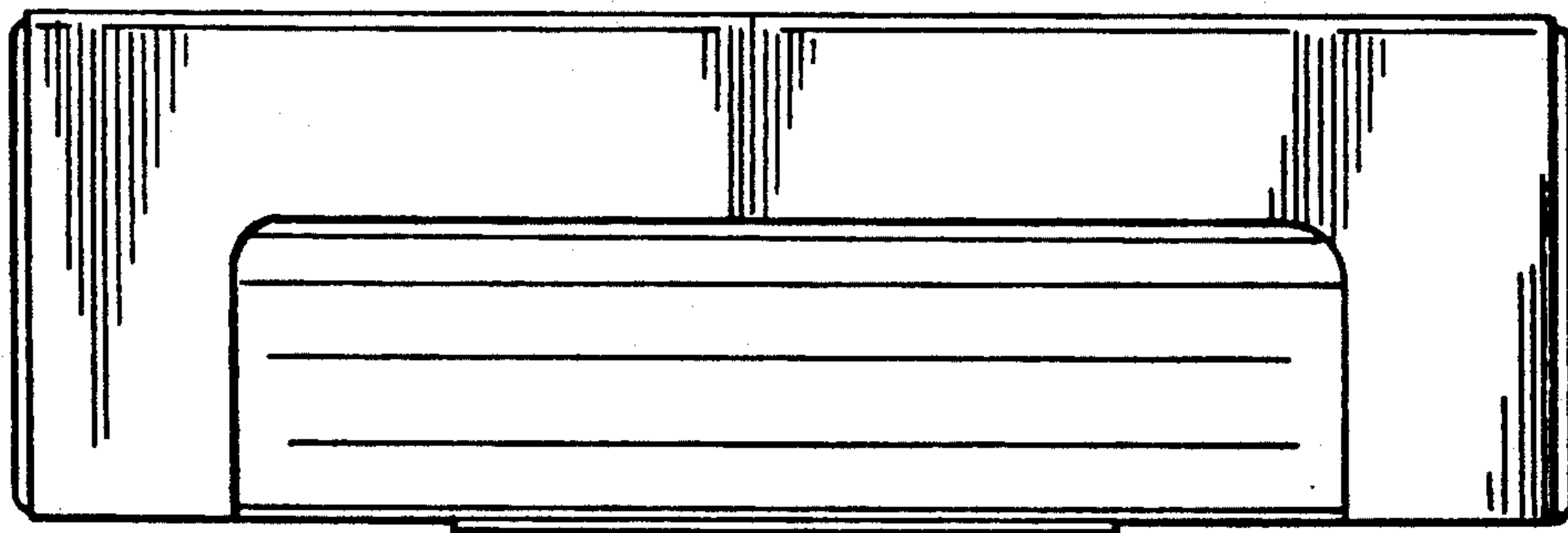


Fig. 4

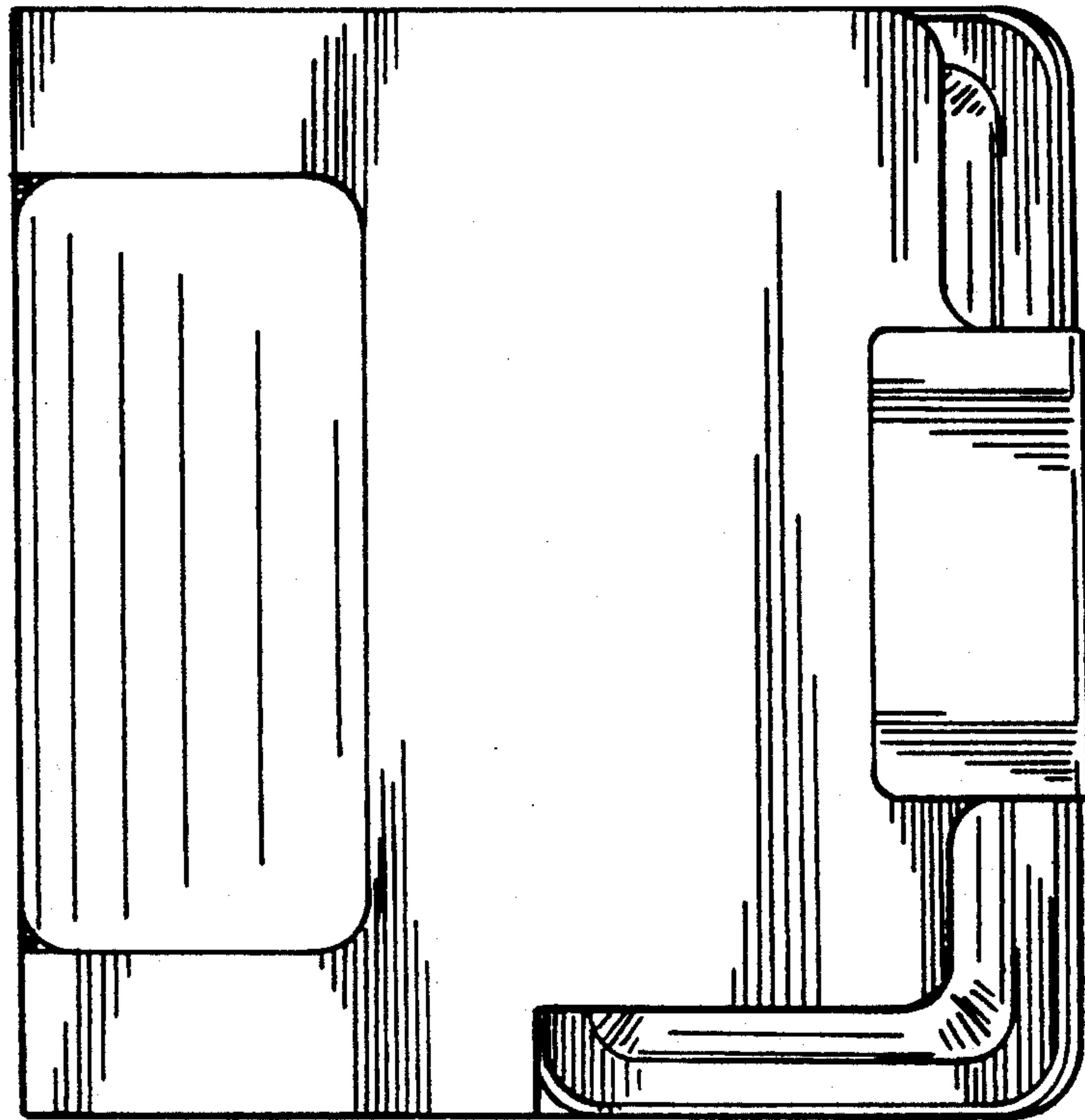


Fig. 5

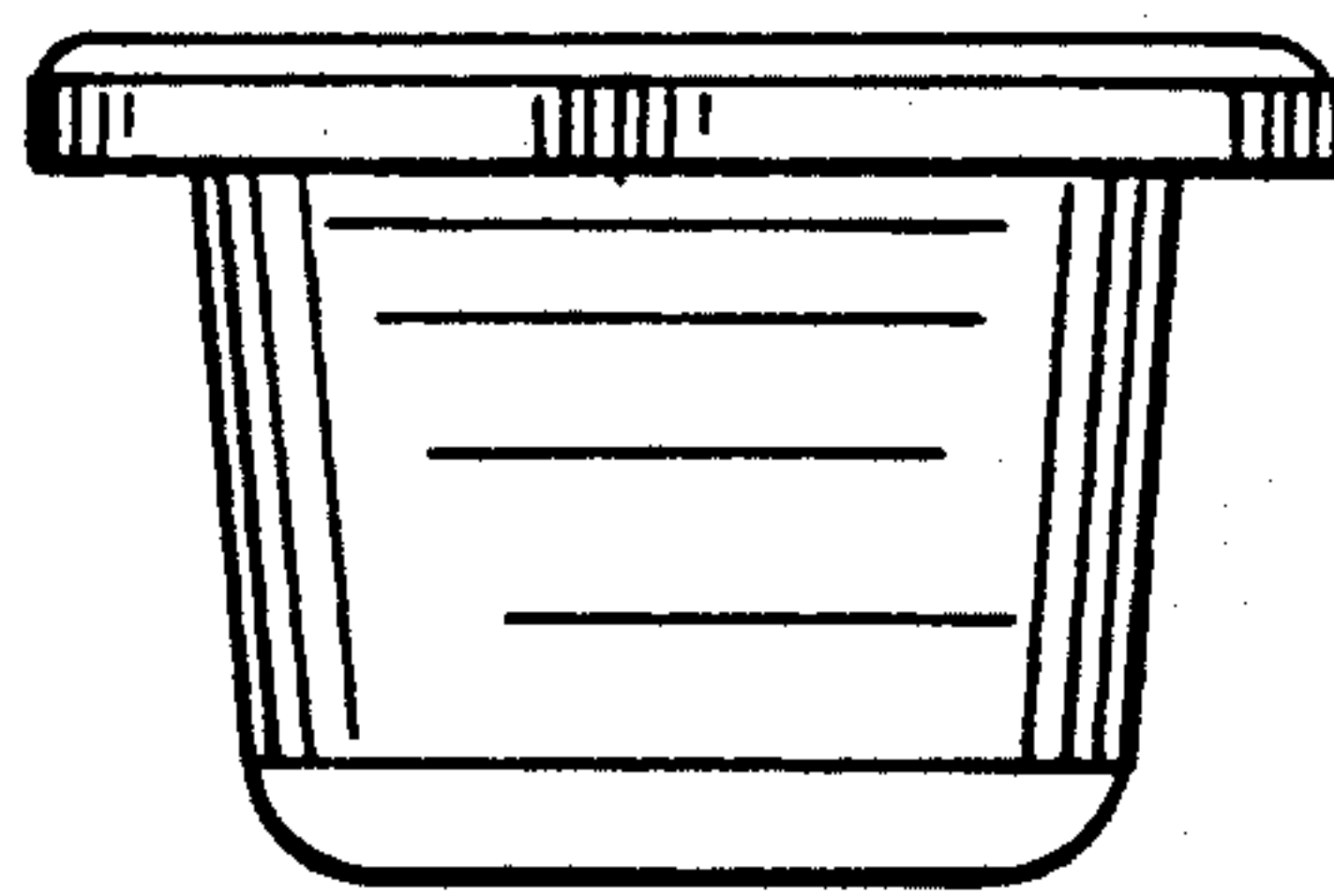


Fig. 7

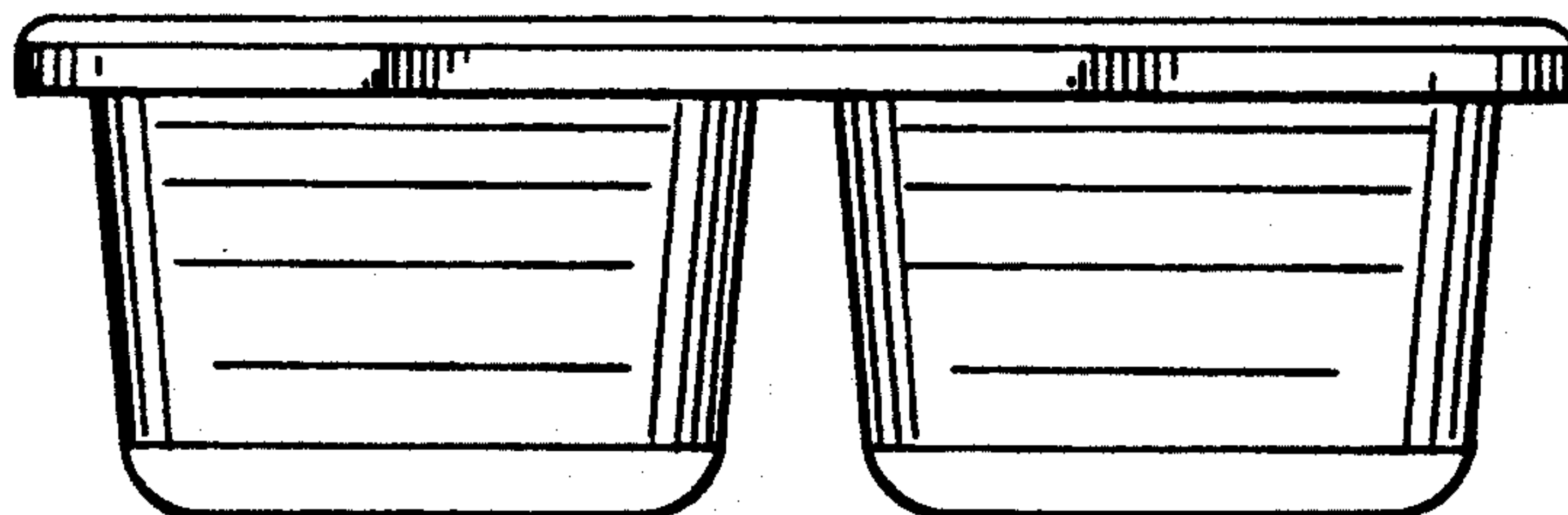


Fig. 8

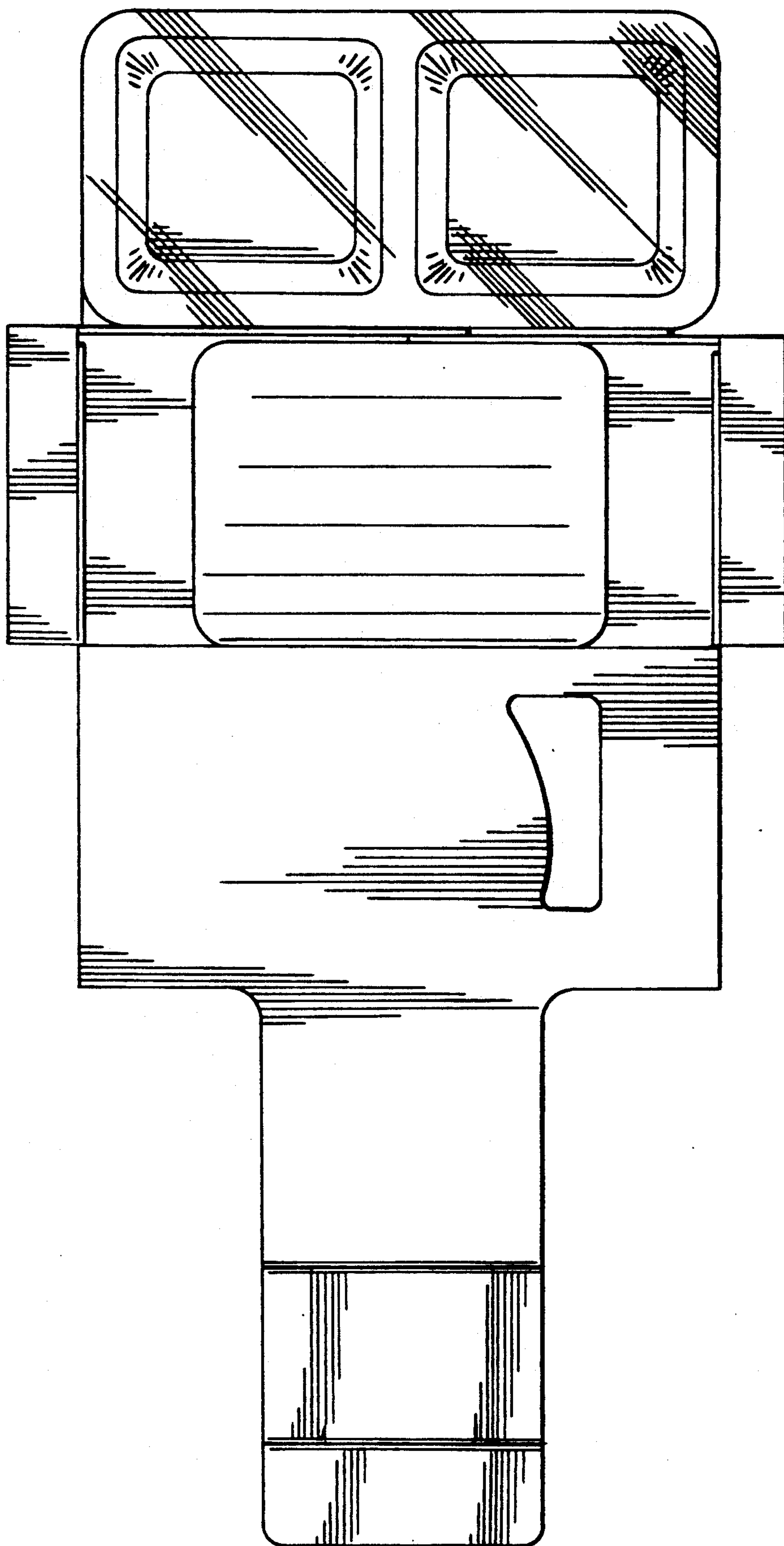


Fig. 6

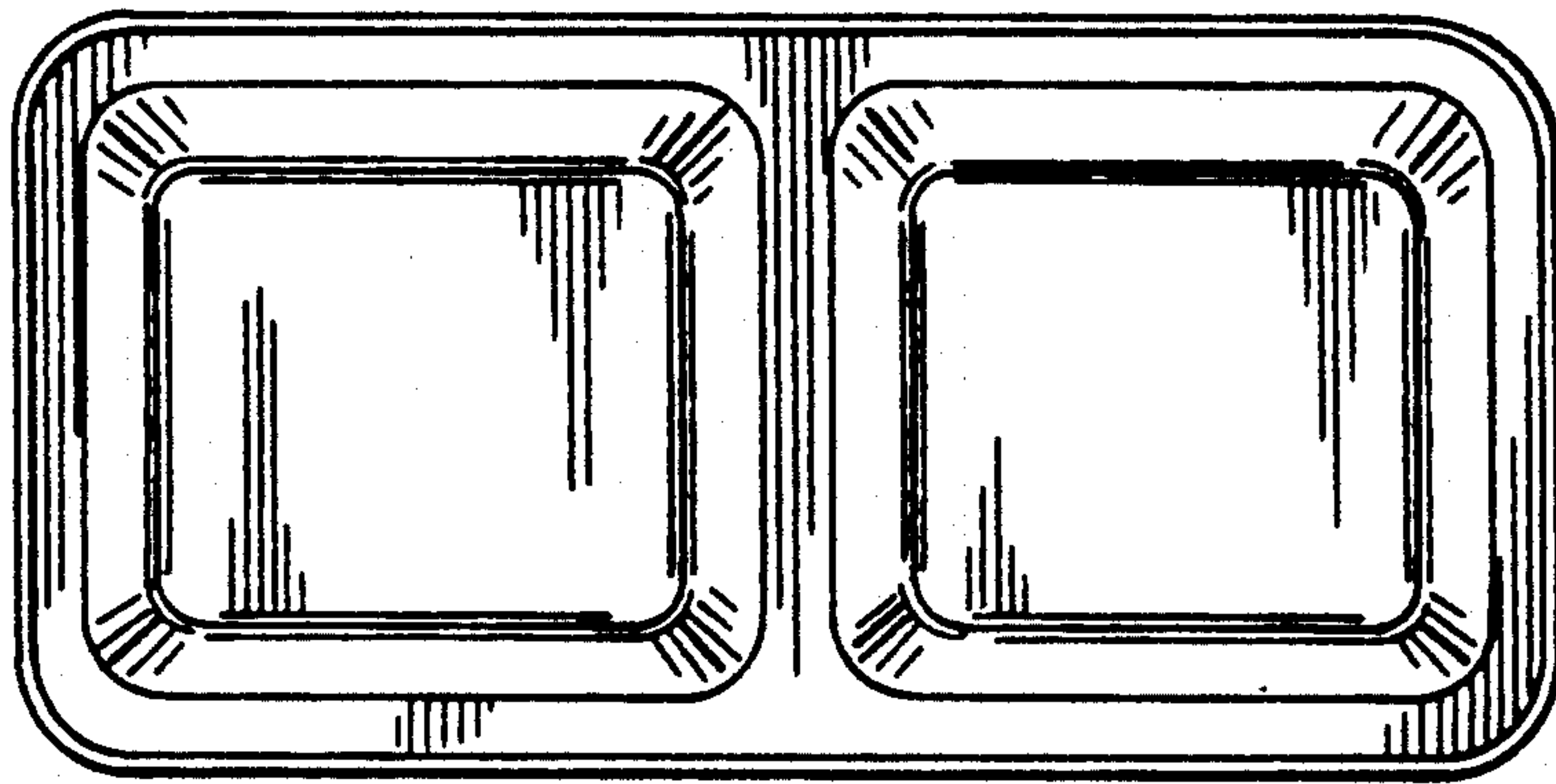


Fig. 9