



US00D335815S

# United States Patent [19]

[11] Patent Number: **Des. 335,815**

Sachs

[45] Date of Patent: **\*\* May 25, 1993**

[54] **POLE EXTENSION BRACKET**

3,900,110 8/1975 Soroka ..... 248/235 X  
4,372,425 2/1983 Murphy ..... 248/235 X

[76] Inventor: **Isaac Sachs, 1240 Ridgewood Dr.,  
Chomedey, Laval, Quebec, Canada,  
H7W1L3**

*Primary Examiner*—James M. Gandy  
*Assistant Examiner*—H. Baynham  
*Attorney, Agent, or Firm*—Longacre & White

[\*\*] Term: **14 Years**

[57] **CLAIM**

[21] Appl. No.: **741,153**

The ornamental design for a pole extension bracket, as shown and described.

[22] Filed: **Aug. 7, 1991**

[52] U.S. Cl. .... **D8/363**

**DESCRIPTION**

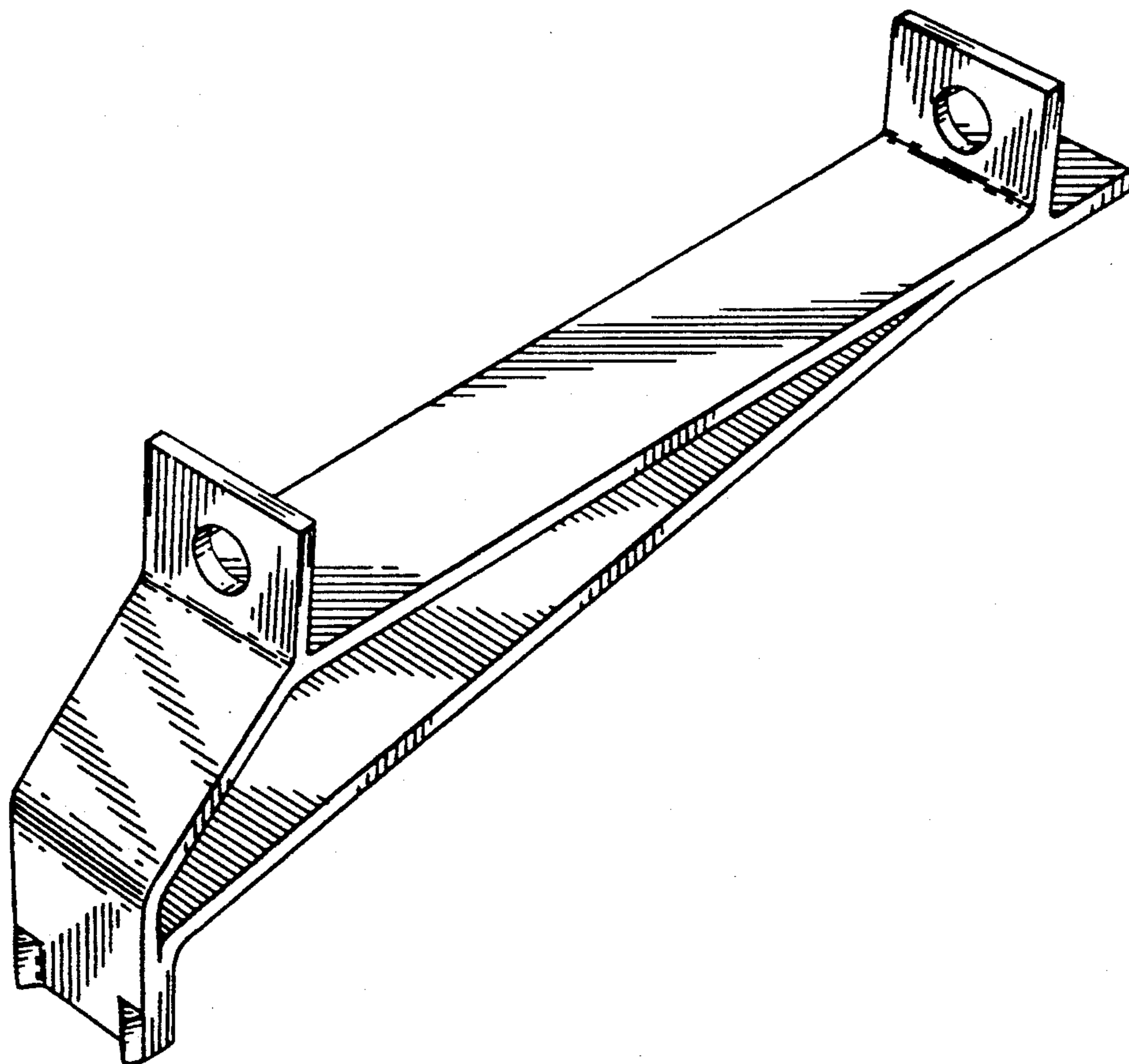
[58] Field of Search ..... **D8/363, 373; 248/205.1,  
248/235; 211/100, 113, 86**

FIG. 1 is a top perspective view of a pole extension bracket showing my new design;  
FIG. 2 is a top plan view thereof;  
FIG. 3 is a side elevational view thereof, the side opposite being substantially a mirror image;  
FIG. 4 is a bottom plan view thereof;  
FIG. 5 is a left end elevational view thereof; and,  
FIG. 6 is a right end elevational view thereof.

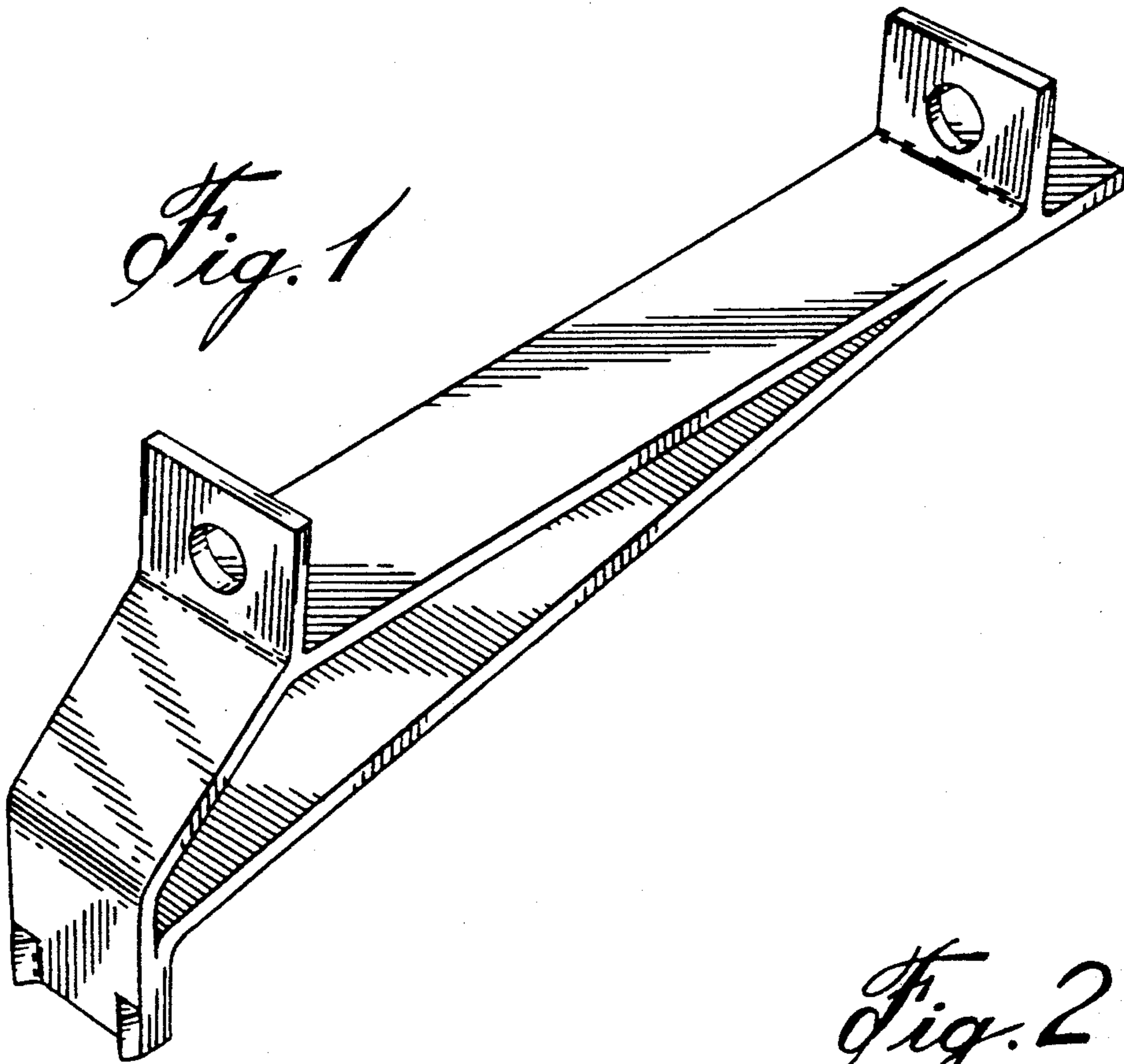
[56] **References Cited**

**U.S. PATENT DOCUMENTS**

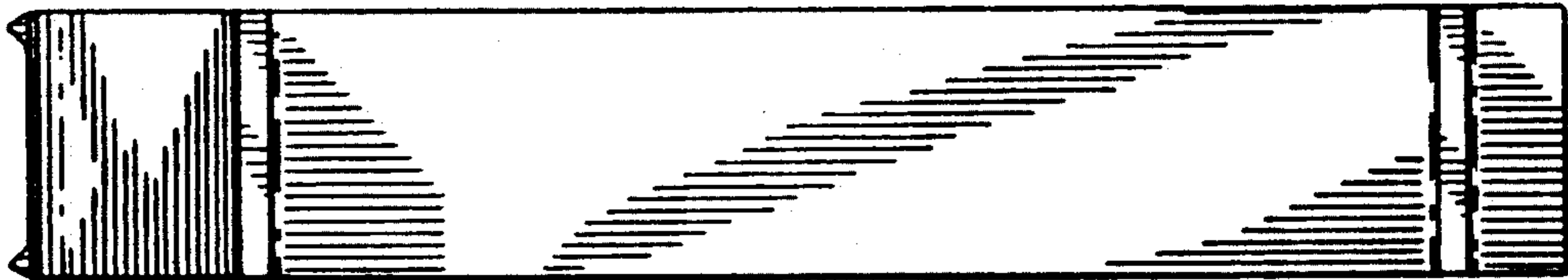
D. 23,223 4/1894 Randall ..... D8/381  
D. 240,896 8/1976 Ward ..... D8/380 X  
D. 290,224 6/1987 Skinner ..... D8/373 X



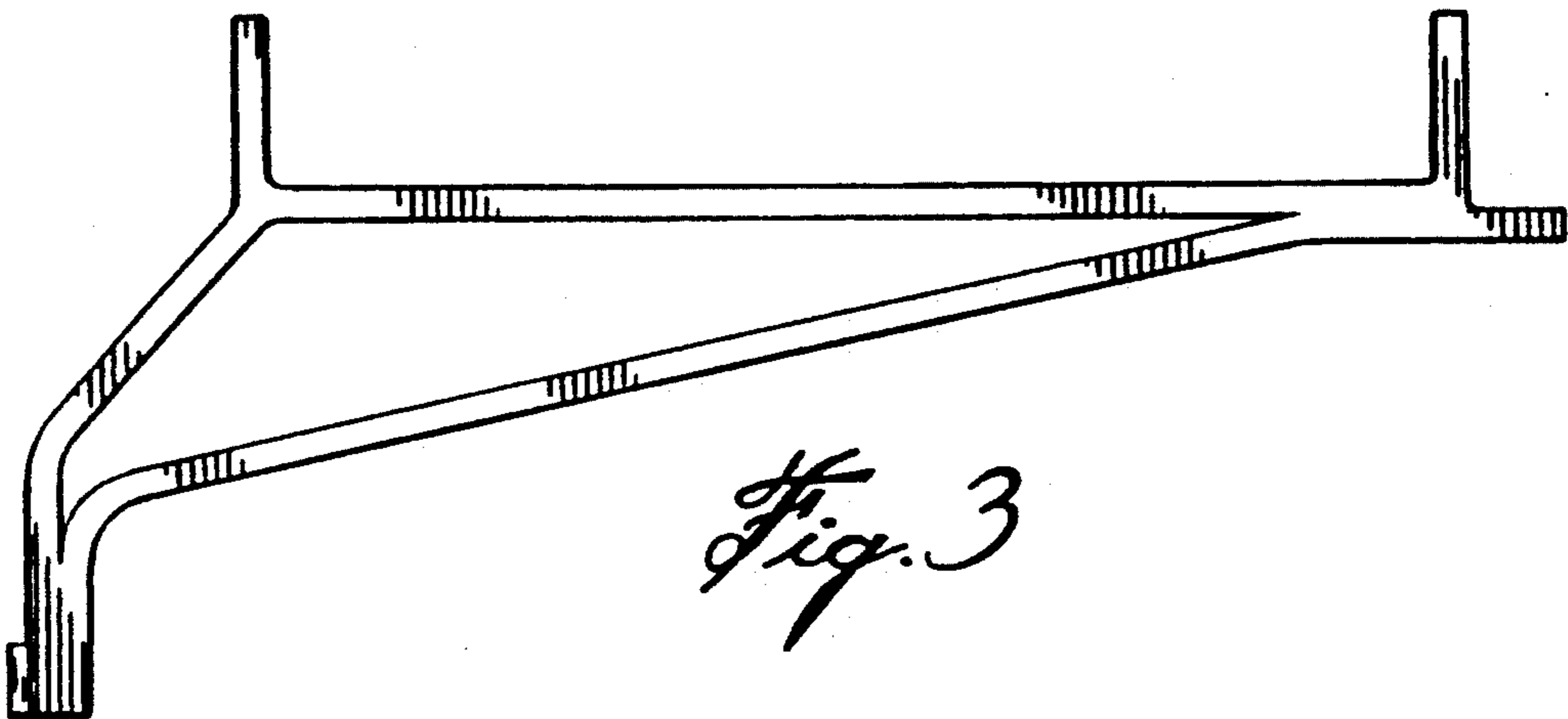
*Fig. 1*

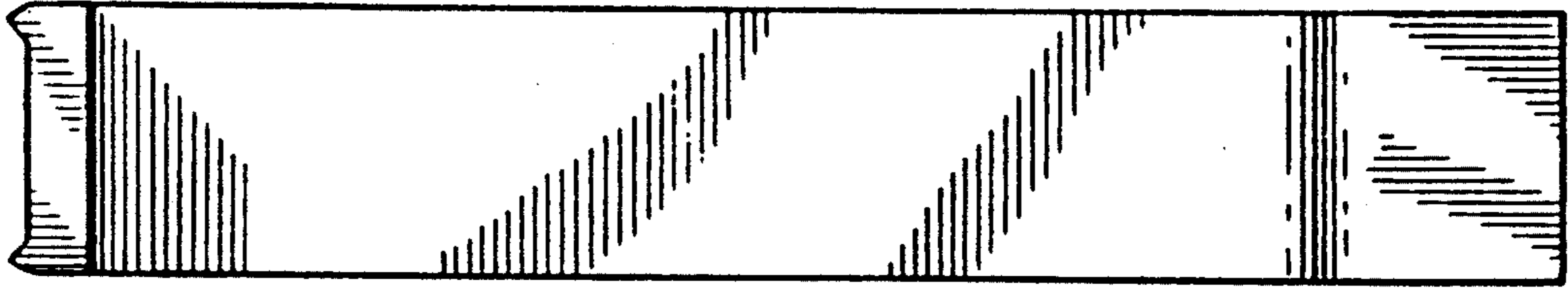


*Fig. 2*

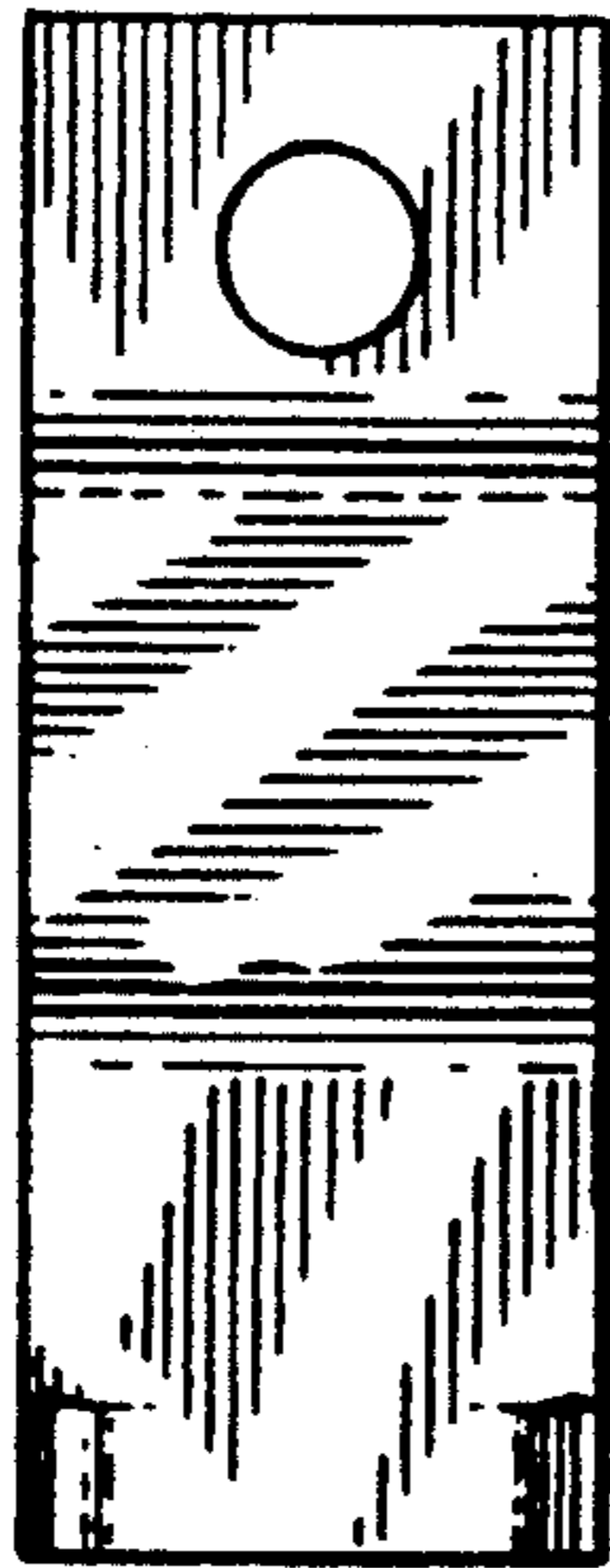


*Fig. 3*

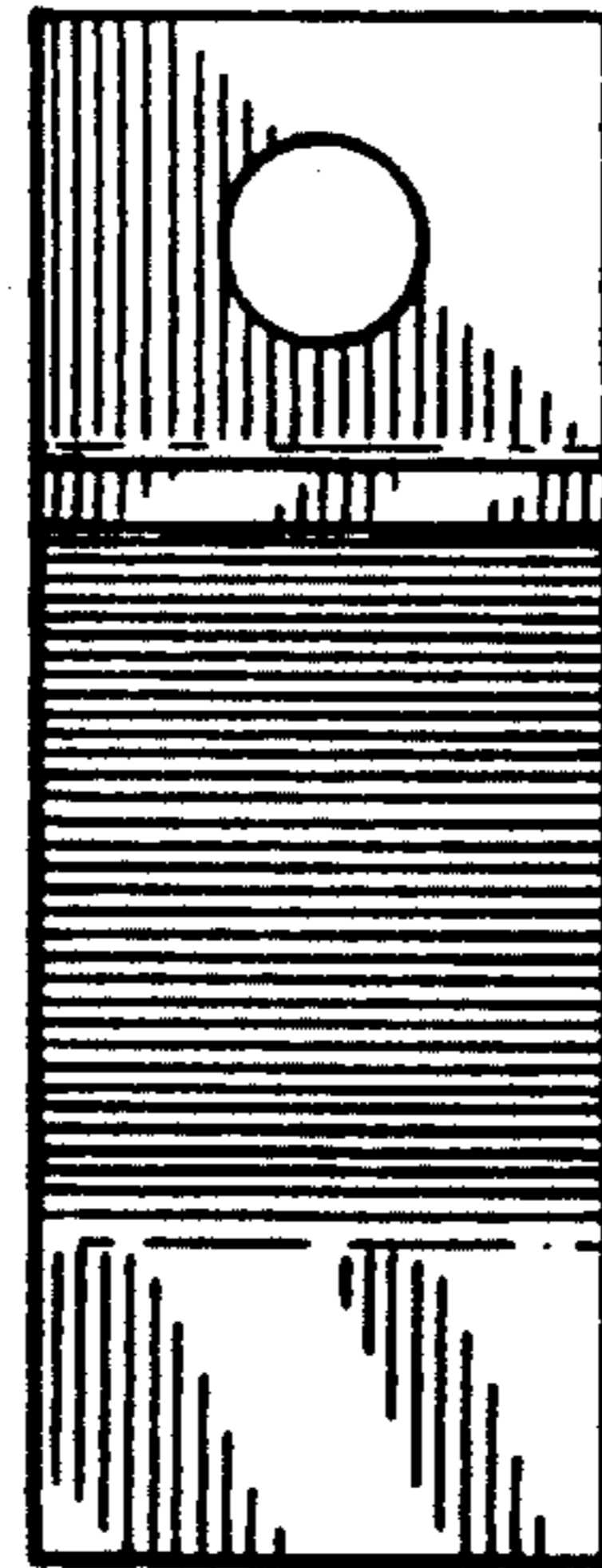




*Fig. 4*



*Fig. 5*



*Fig. 6*