



US00D335814S

United States Patent [19]

[11] Patent Number: **Des. 335,814**

Dabandjian

[45] Date of Patent: **** May 25, 1993**

[54] **BICYCLE LOCK MOUNTING BRACKET**

4,888,967	12/1989	Ruo	70/233
5,033,325	7/1991	Giard, Jr.	74/551.3
5,076,526	2/1991	Zane et al.	224/39
5,092,142	3/1992	Zane et al.	70/233

[76] Inventor: **Ara Dabandjian**, 3148 University Ave., San Diego, Calif. 92104

[**] Term: **14 Years**

Primary Examiner—Wallace R. Burke
Assistant Examiner—Melody Brown
Attorney, Agent, or Firm—Henri J. A. Charmasson

[21] Appl. No.: **756,759**

[22] Filed: **Sep. 9, 1991**

[57] **CLAIM**

[52] U.S. Cl. **D8/343; D12/114**

The ornamental design for a bicycle lock mounting bracket, as shown and described.

[58] Field of Search **D12/115; 280/279, 288.4; 70/233; 74/551.1, 551.3, 551.8; 224/30 A, 31, 41**

DESCRIPTION

[56] **References Cited**

U.S. PATENT DOCUMENTS

3,967,475	7/1976	Zane	70/233
4,155,231	5/1979	Zane et al.	70/233
4,436,232	3/1984	Zane et al.	224/39
4,541,555	9/1985	Miree	224/30 A
4,697,725	10/1987	Miree	224/41
4,856,744	8/1989	Frankel	224/36

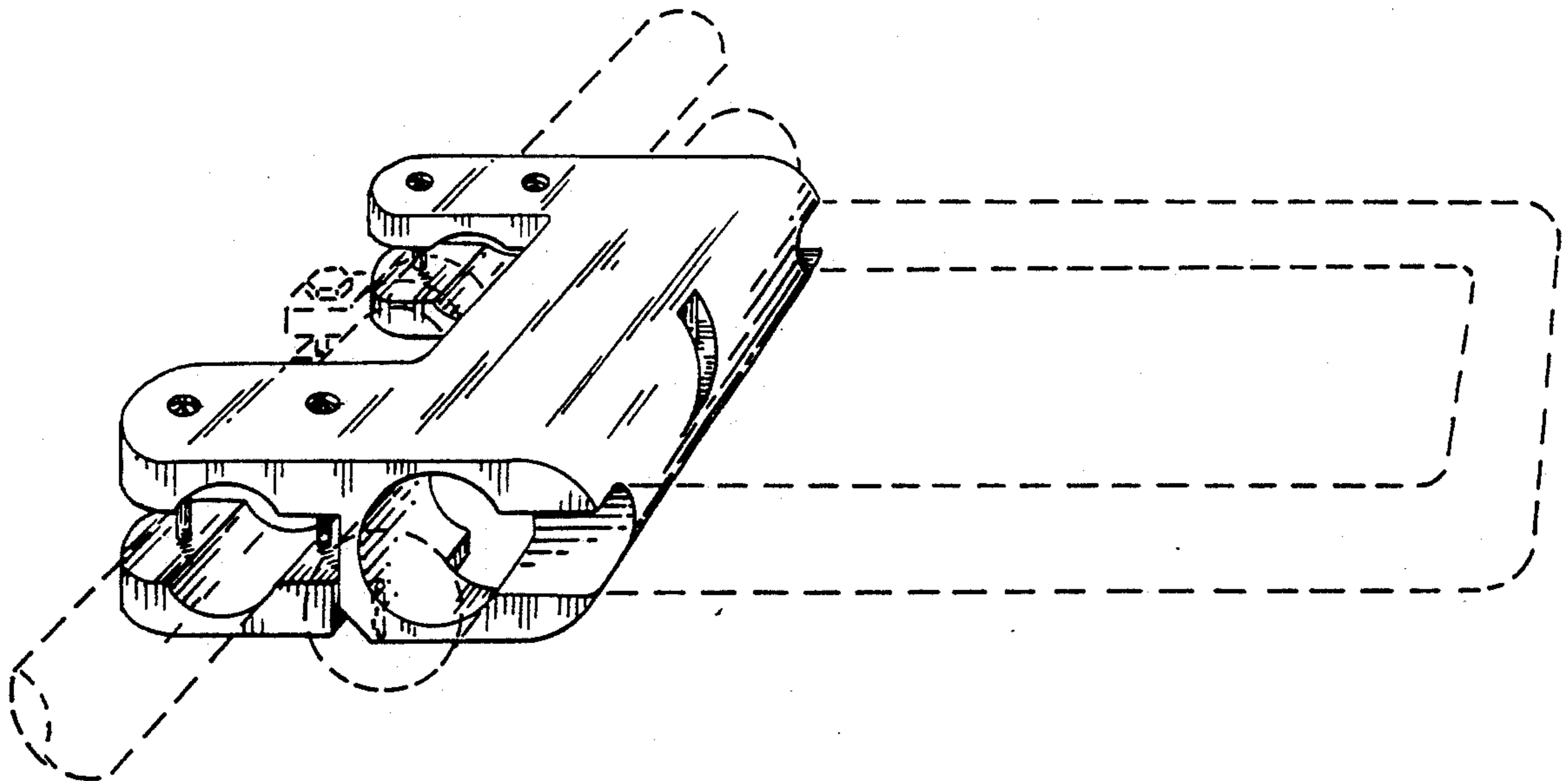
FIG. 1 is a top, front and right side perspective view of a bicycle lock mounting bracket showing my new design with connecting bicycle handlebars and lock shown in phantom lines;

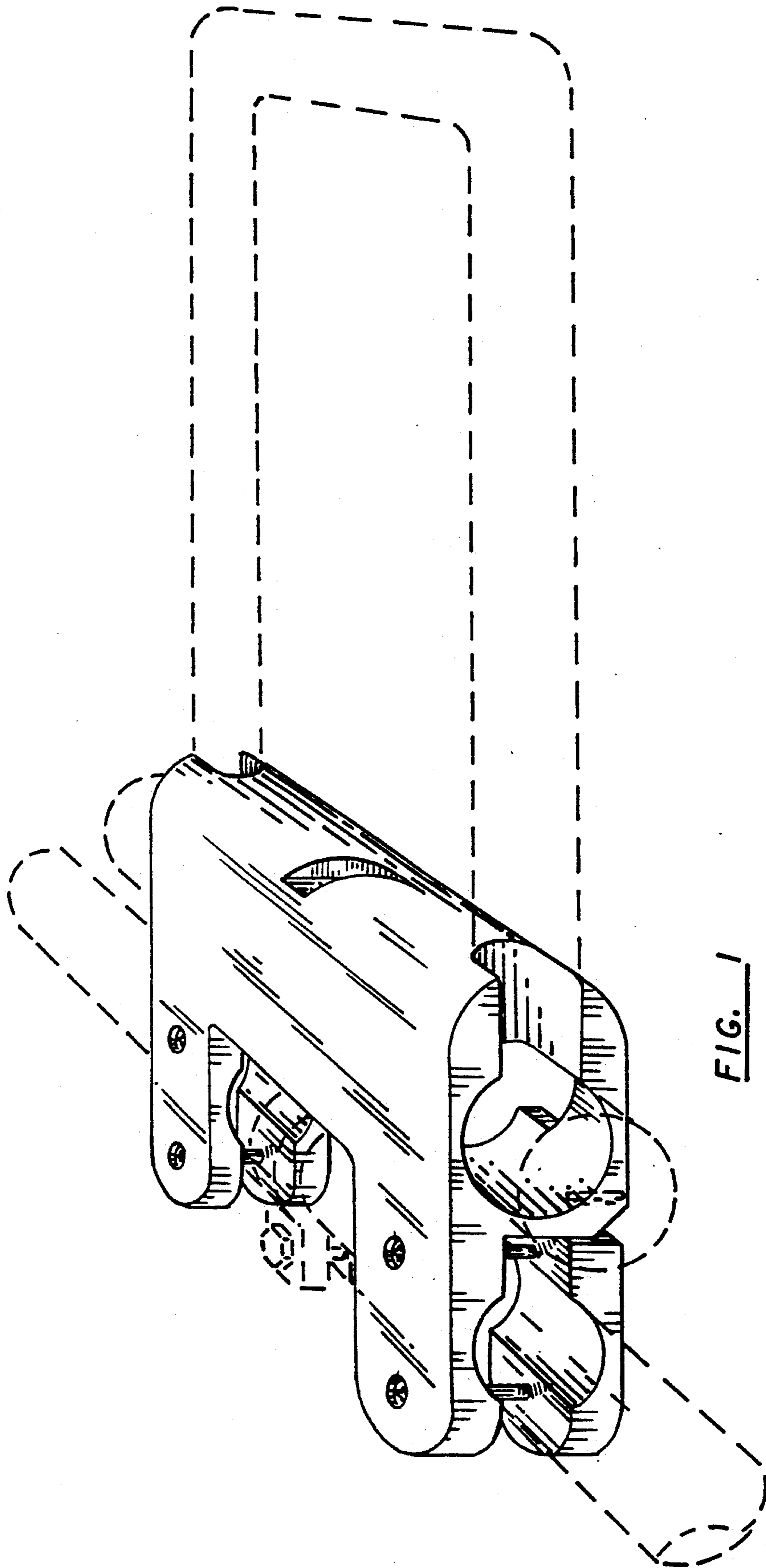
FIG. 2 is a front elevational view thereof;

FIG. 3 is a bottom plan view thereof;

FIG. 4 is a rear elevational view thereof; and,

FIG. 5 is a right side elevational view thereof, the left side being a mirror image of the right side.





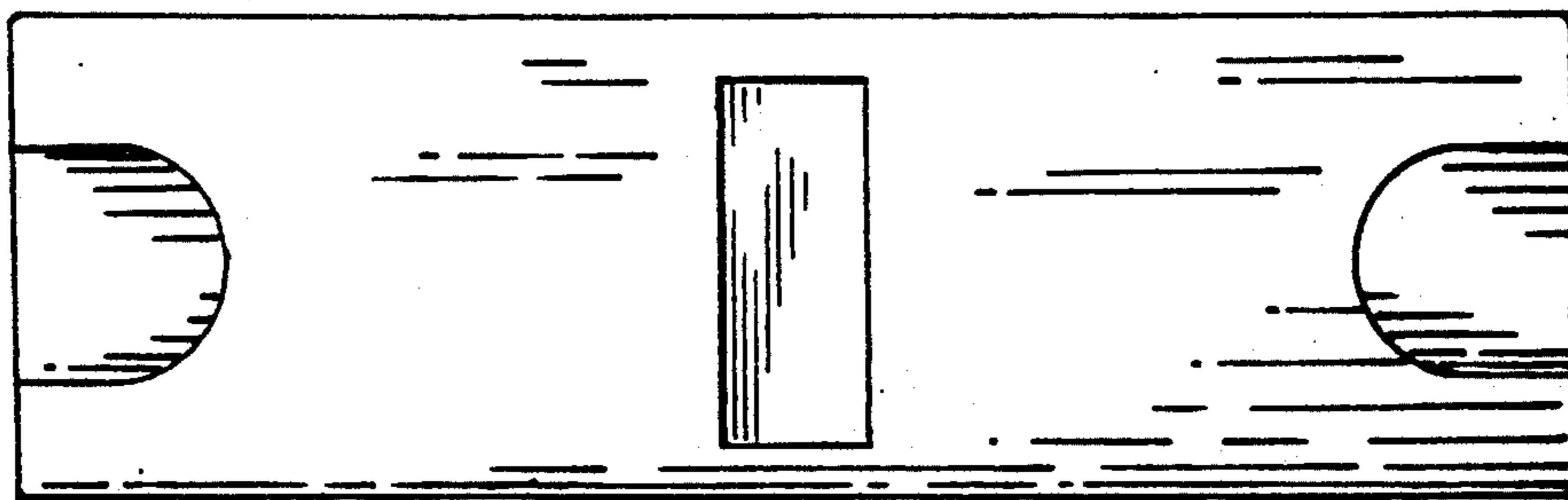


FIG. 2

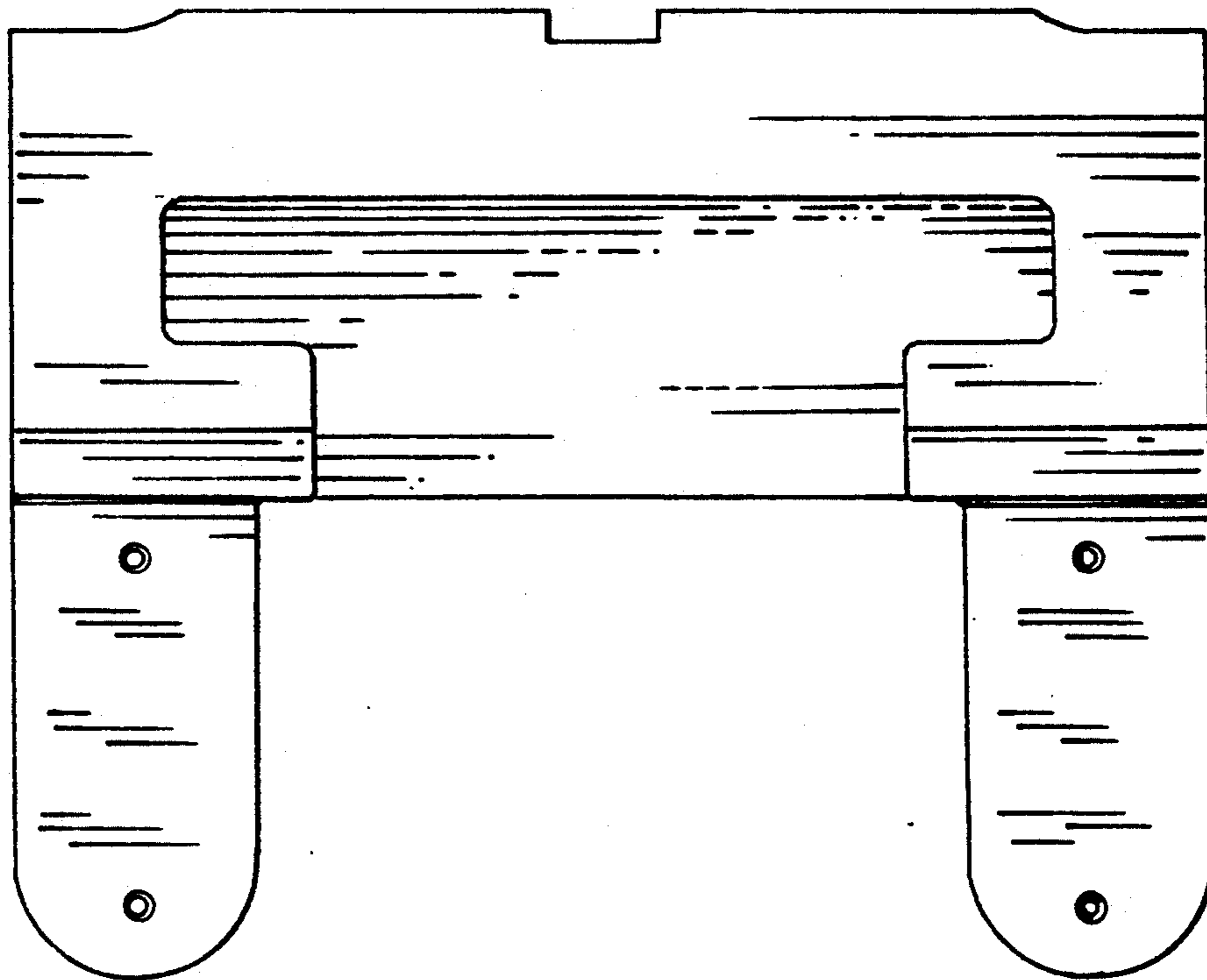


FIG. 3

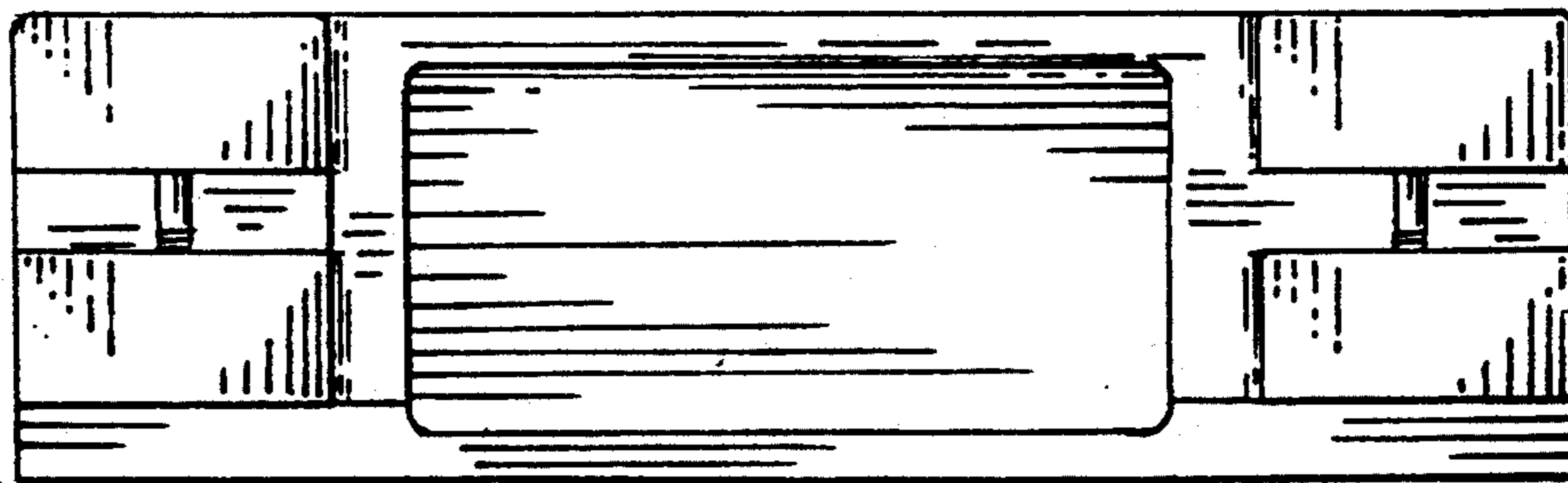


FIG. 4

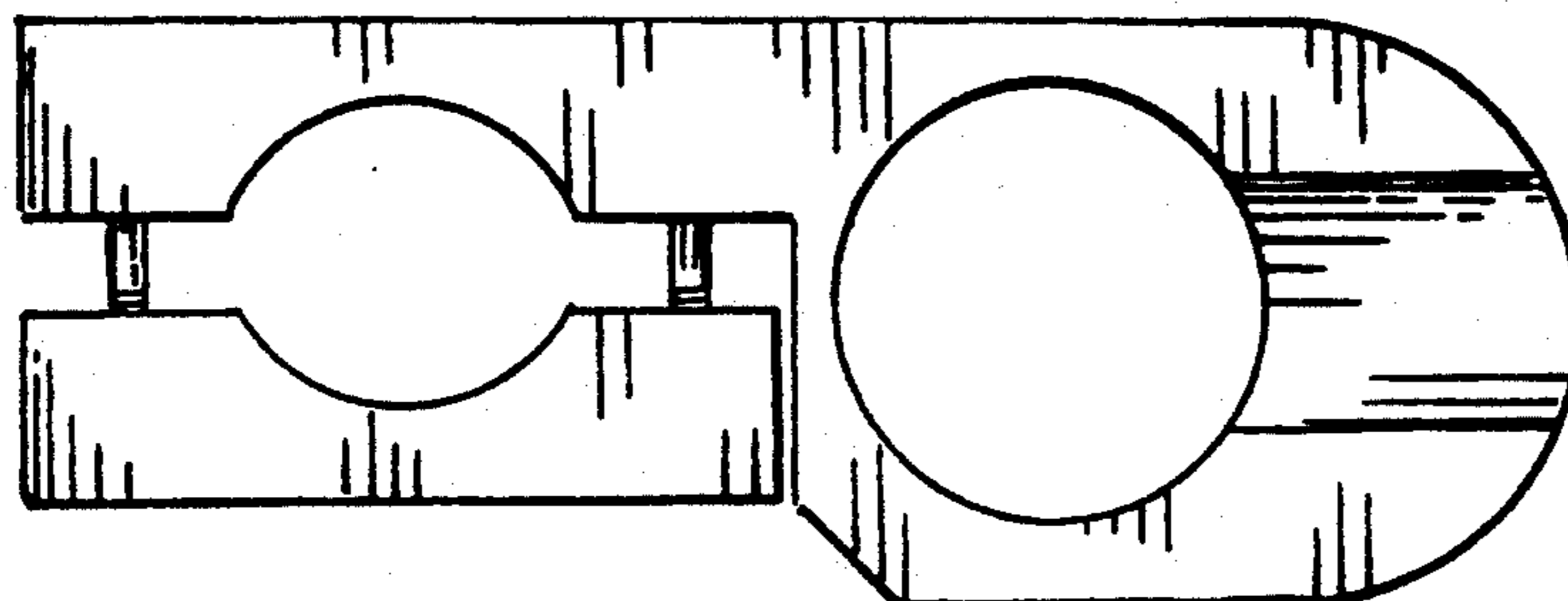


FIG. 5