



US00D335813S

United States Patent [19]

[11] Patent Number: **Des. 335,813**

Appelbaum

[45] Date of Patent: **** May 25, 1993**

[54] **SHACKLELESS PADLOCK**

4,512,165 4/1985 Uyeda 70/32

[76] Inventor: **Paul Appelbaum**, 34591 Camino Capistrano, Capistrano Beach, Calif. 92718

Primary Examiner—Brian N. Vinson
Attorney, Agent, or Firm—Charles C. Corbin

[**] Term: **14 Years**

[57] **CLAIM**

[21] Appl. No.: **776,463**

The ornamental design of a shackleless padlock, as shown and described.

[22] Filed: **Oct. 15, 1991**

DESCRIPTION

[52] U.S. Cl. **D8/334; D8/331**

FIG. 1 is a top perspective view of a shackleless padlock, showing my new design;

[58] Field of Search **D8/333-335;**

FIG. 2 is a rear elevational view thereof;

70/23, 32

FIG. 3 is a front elevational view thereof;

[56] **References Cited**

U.S. PATENT DOCUMENTS

D. 243,150 1/1977 Dykes **D8/334 X**

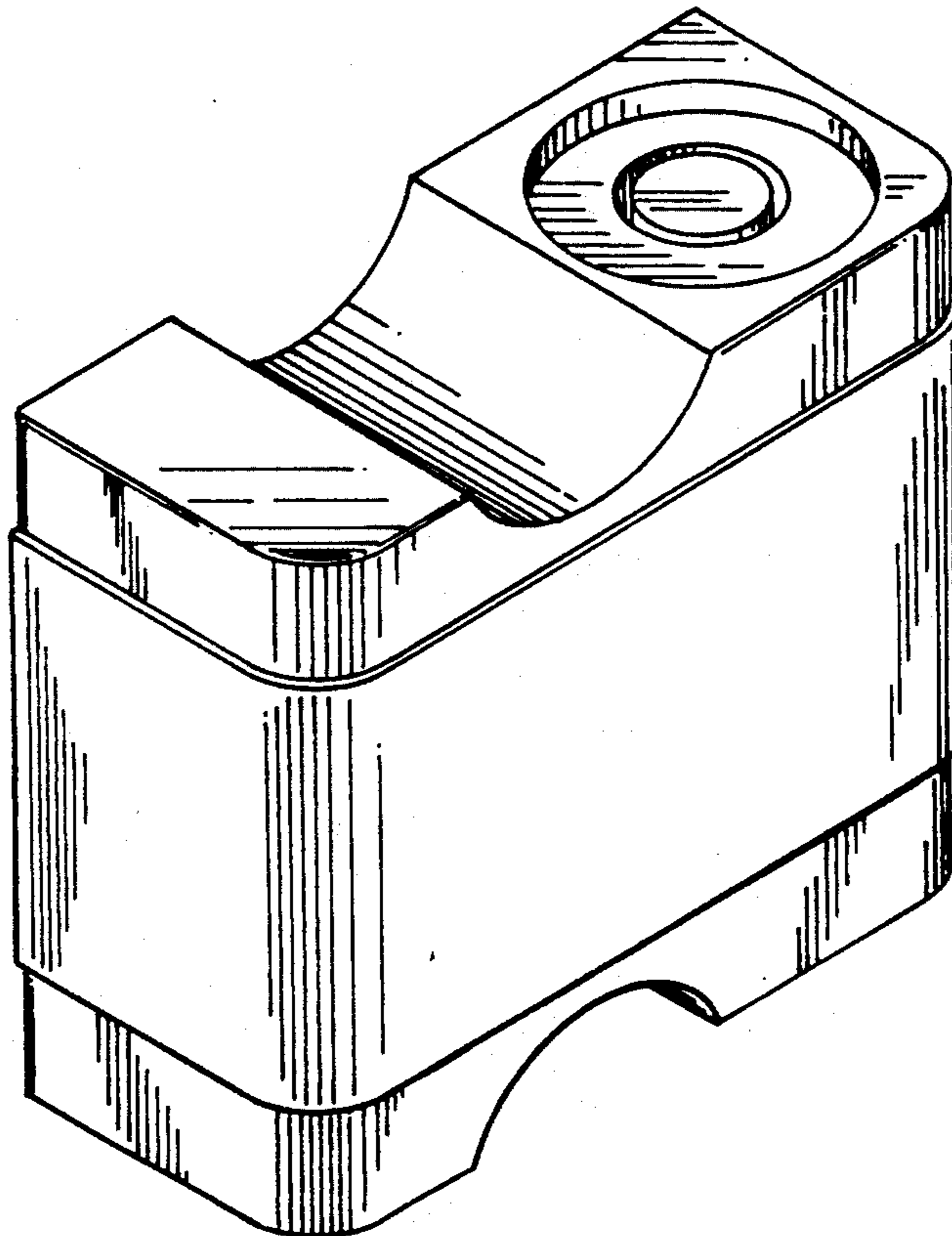
D. 321,824 3/1991 Pedersen **D8/334**

FIG. 4 is a top plan view thereof;

FIG. 5 is a bottom plan view thereof;

FIG. 6 is a left side elevational view thereof; and,

FIG. 7 is a right side elevational view thereof.



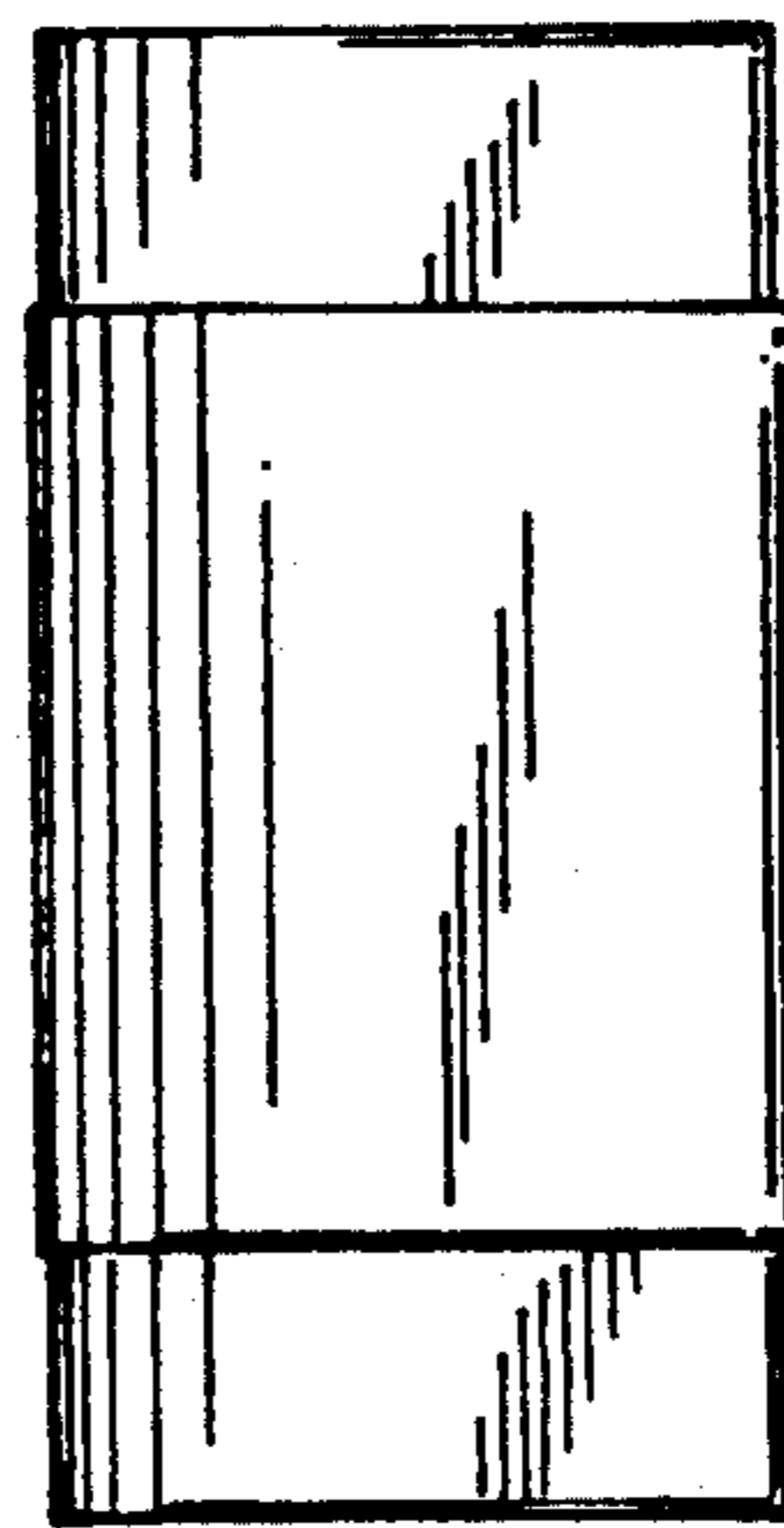
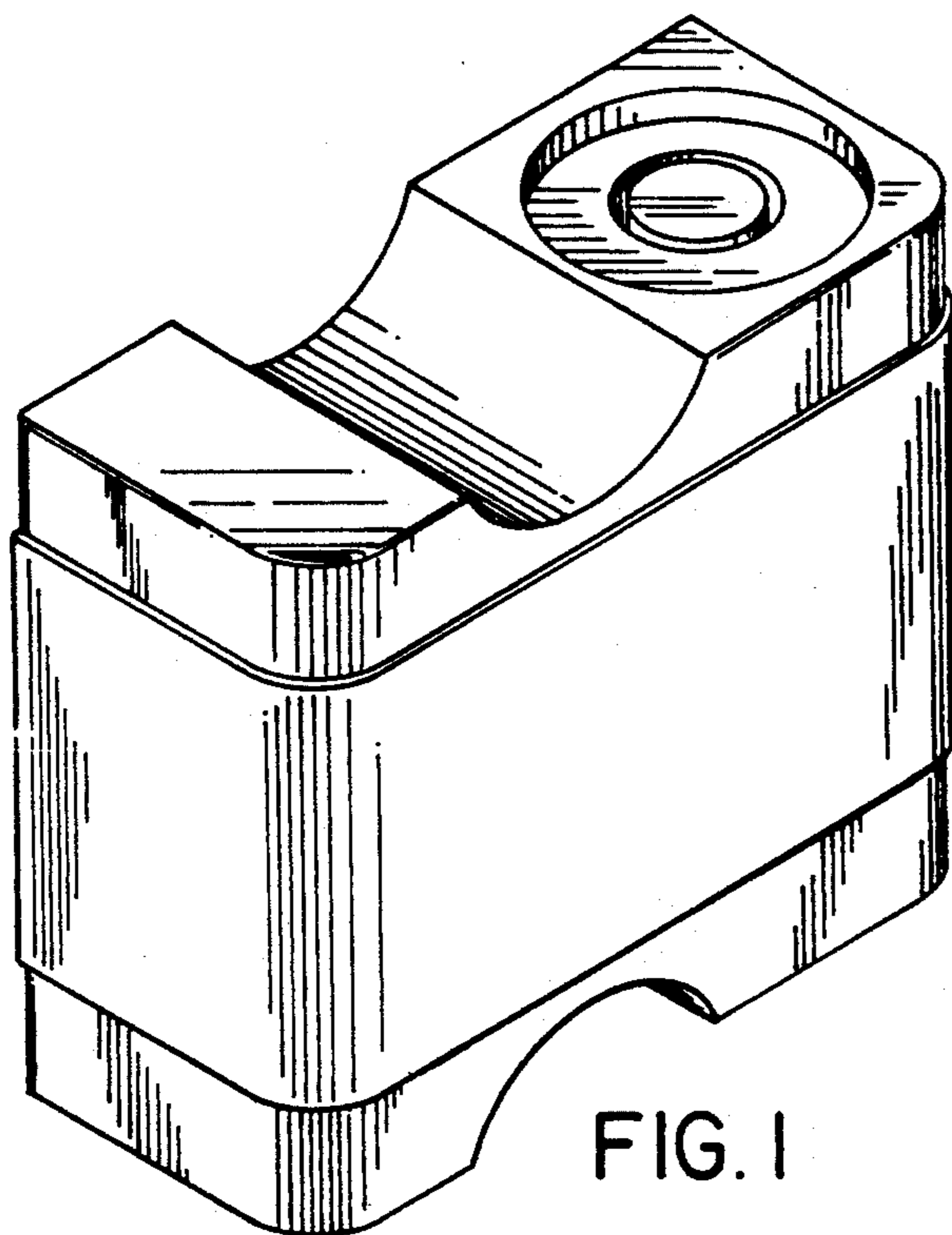


FIG. 6

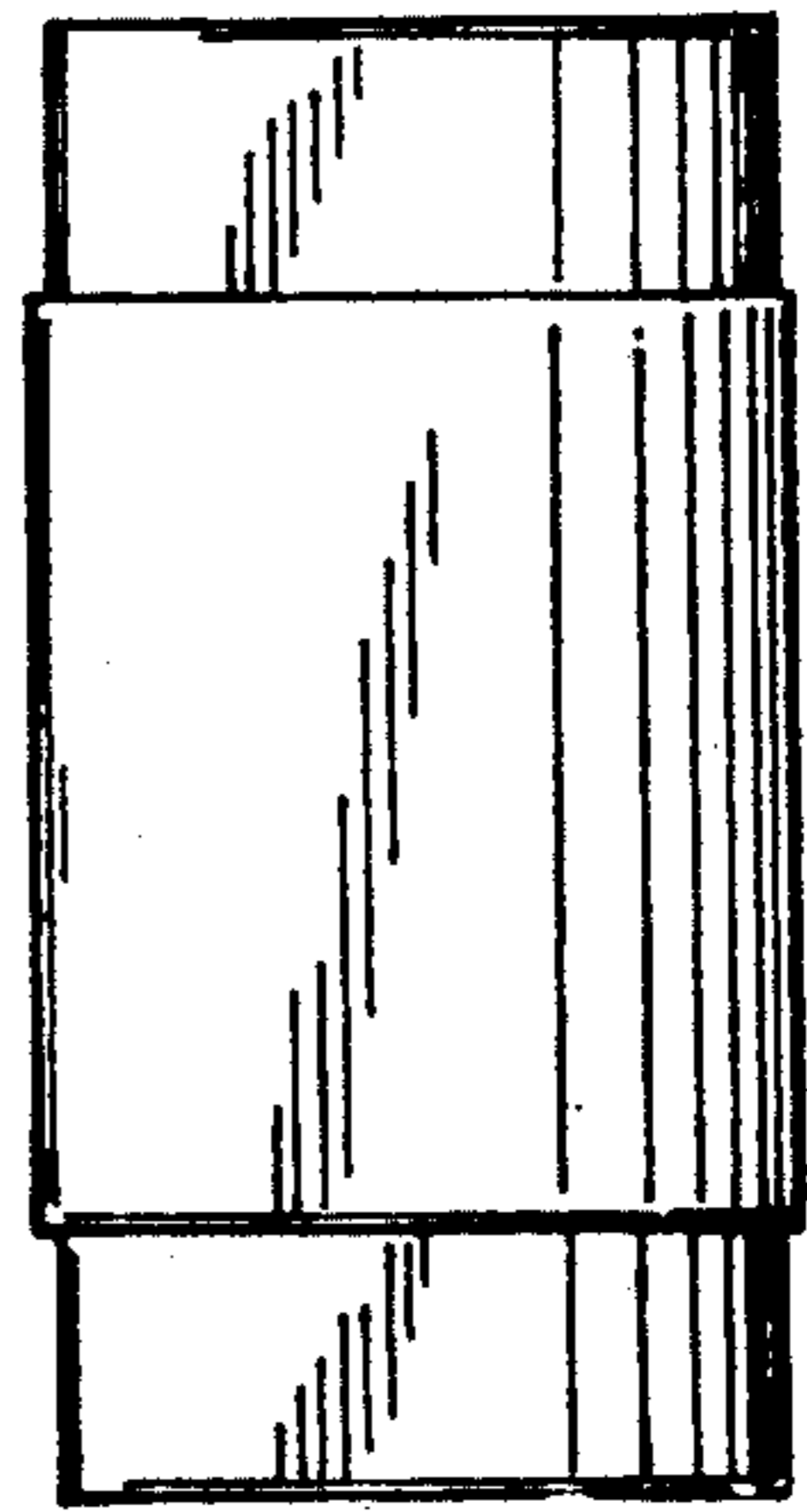


FIG. 7

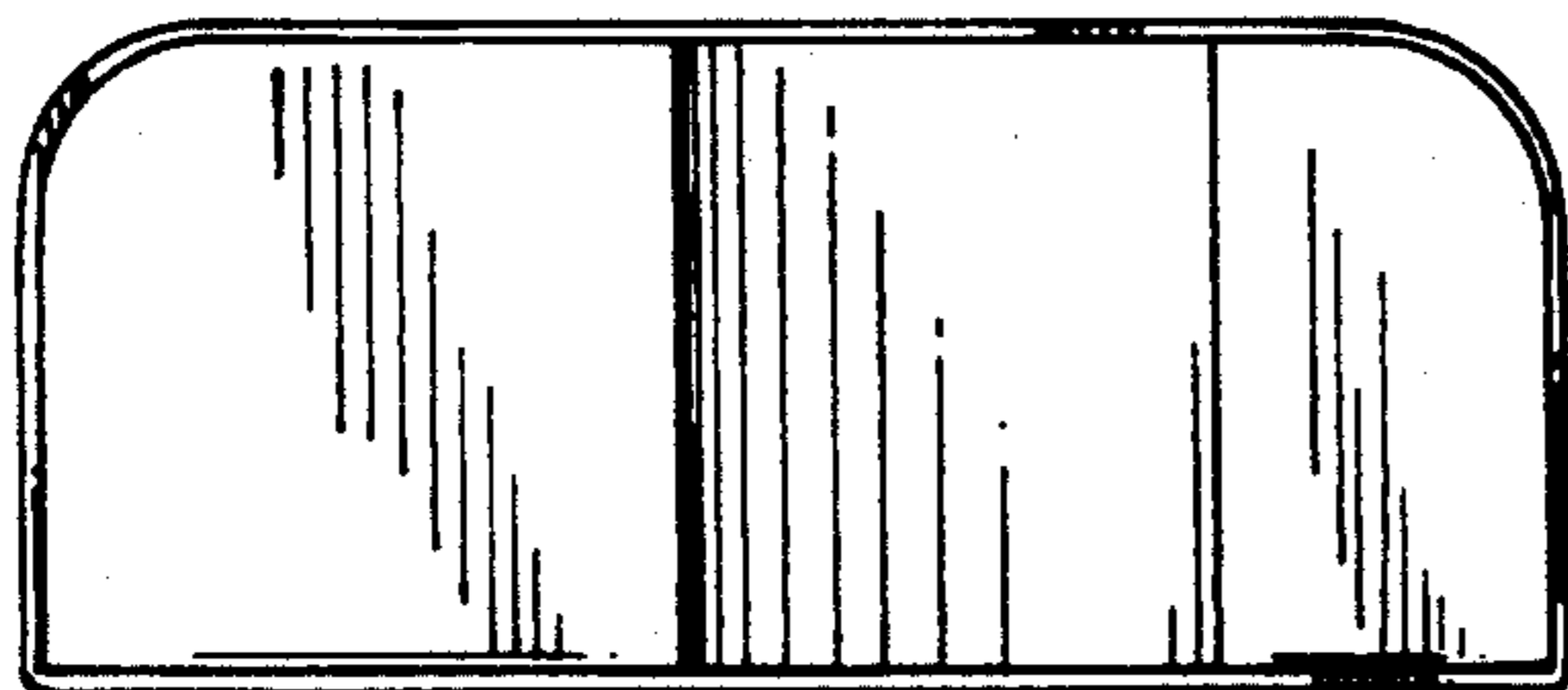


FIG. 5

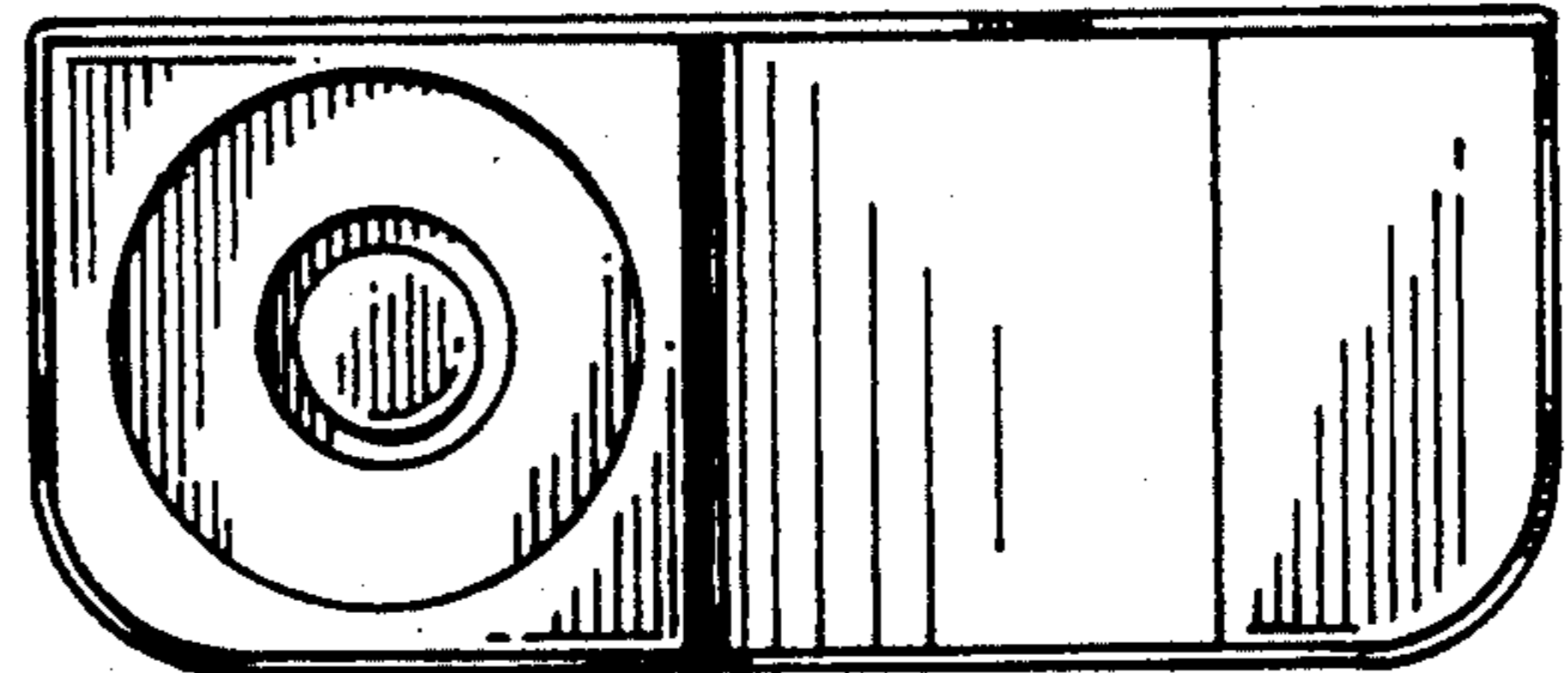


FIG. 4

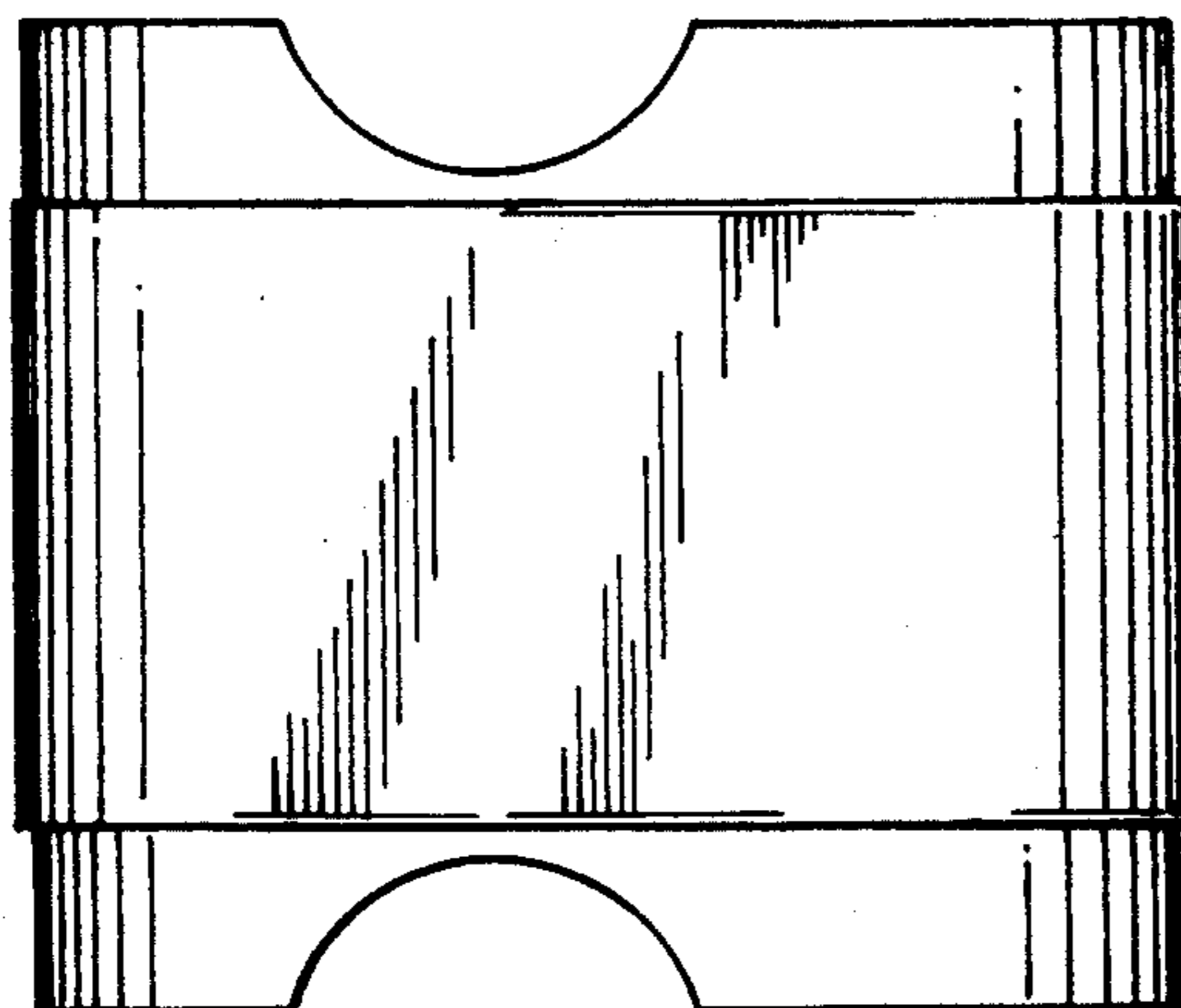


FIG. 3

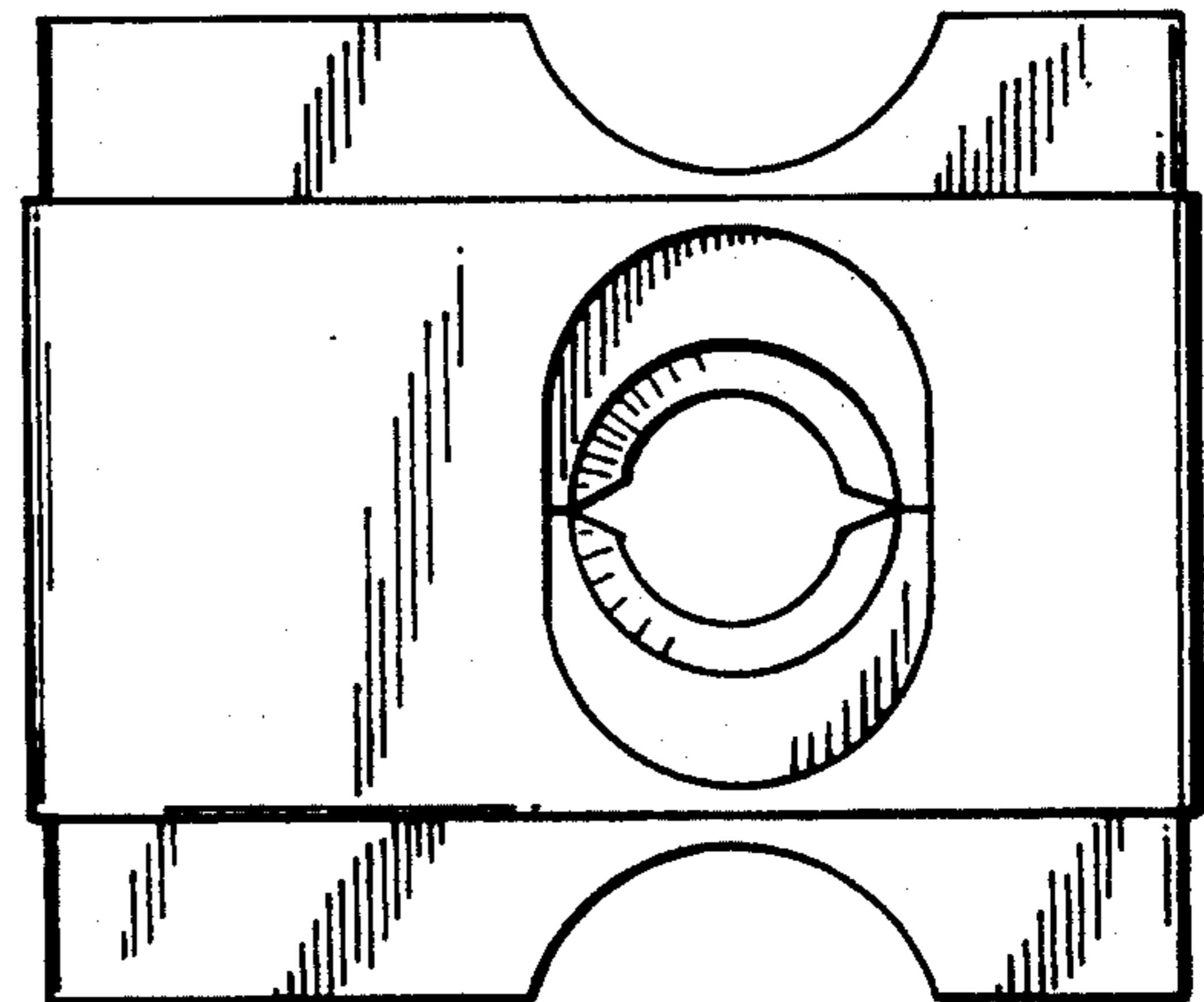


FIG. 2