



US00D335812S

# United States Patent [19]

[11] Patent Number: **Des. 335,812**

Musha

[45] Date of Patent: **\*\* May 25, 1993**

[54] **DOOR CLOSER**

2,904,819 9/1959 Seaman ..... 16/50

[75] Inventor: **Kohei Musha, Tokyo, Japan**

*Primary Examiner*—Brian N. Vinson  
*Attorney, Agent, or Firm*—Jacobson, Price, Holman & Stern

[73] Assignee: **Sugatsune Industrial Co., Ltd., Tokyo, Japan**

[\*\*] Term: **14 Years**

[57] **CLAIM**

[21] Appl. No.: **718,846**

The ornamental design for a door closer, as shown and described.

[22] Filed: **Jun. 17, 1991**

**DESCRIPTION**

[30] **Foreign Application Priority Data**

Feb. 5, 1991 [JP] Japan ..... 3-2751

[52] U.S. Cl. .... **D8/330**

[58] Field of Search ..... **D8/330-331;**  
16/49-50, 66-68, 71, 82, 84, DIG. 9, DIG. 21

FIG. 1 is a plan view of a door closer, showing my new design;

FIG. 2 is a front view thereof;

FIG. 3 is a rear view thereof;

FIG. 4 is a bottom view thereof;

FIG. 5 is a left side view thereof;

FIG. 6 is a right side view thereof;

FIG. 7 is a sectional view taken along line 7—7 of FIG. 1;

FIG. 8 is a sectional view taken along line 8—8 of FIG. 1; and,

FIG. 9 is a perspective view thereof.

[56] **References Cited**

**U.S. PATENT DOCUMENTS**

D. 295,254 4/1988 Matsuo et al. .... D8/330

D. 295,366 4/1988 Frolov ..... D8/330

2,820,241 1/1958 Schlage ..... 16/49

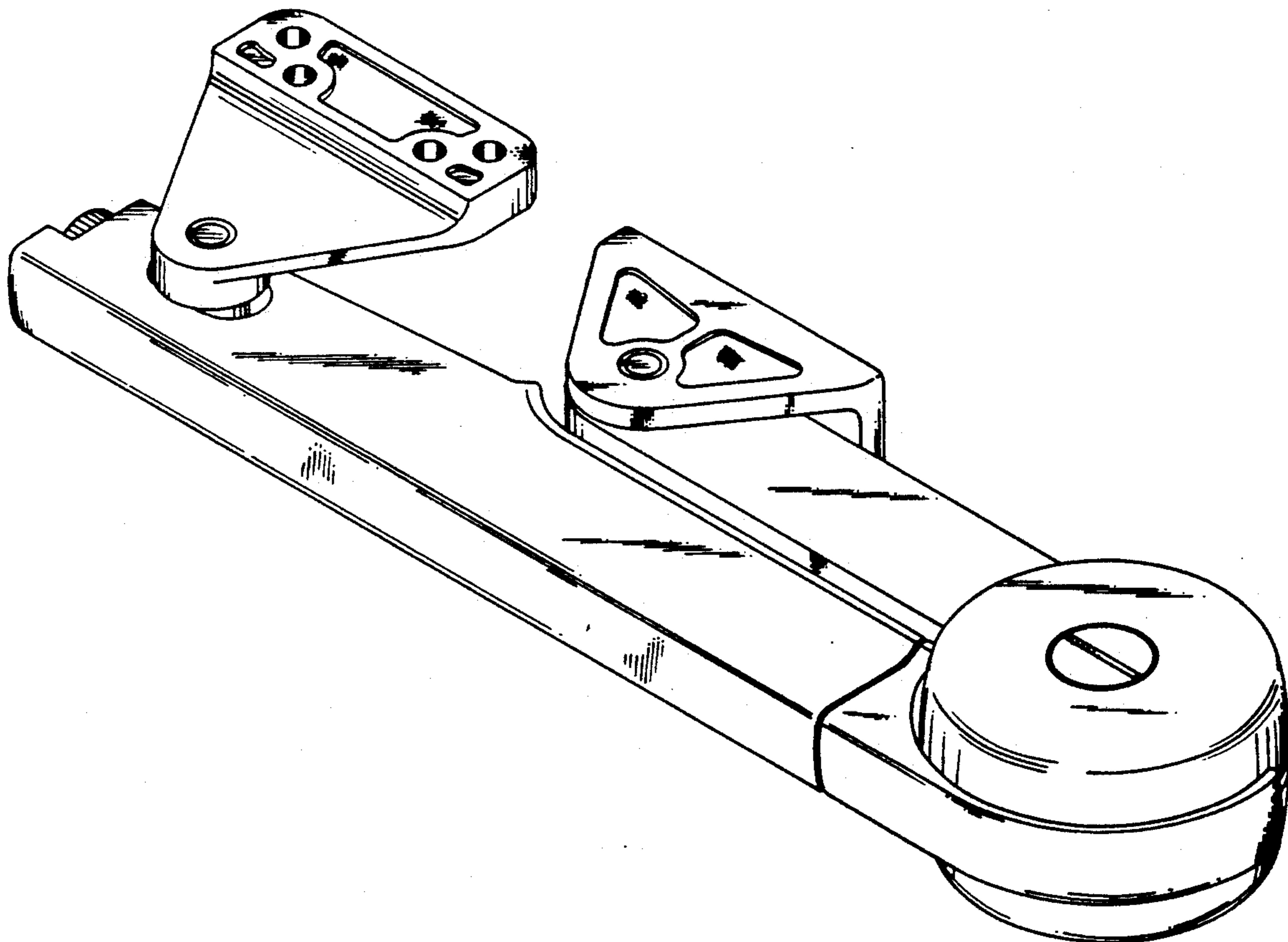


FIG.1

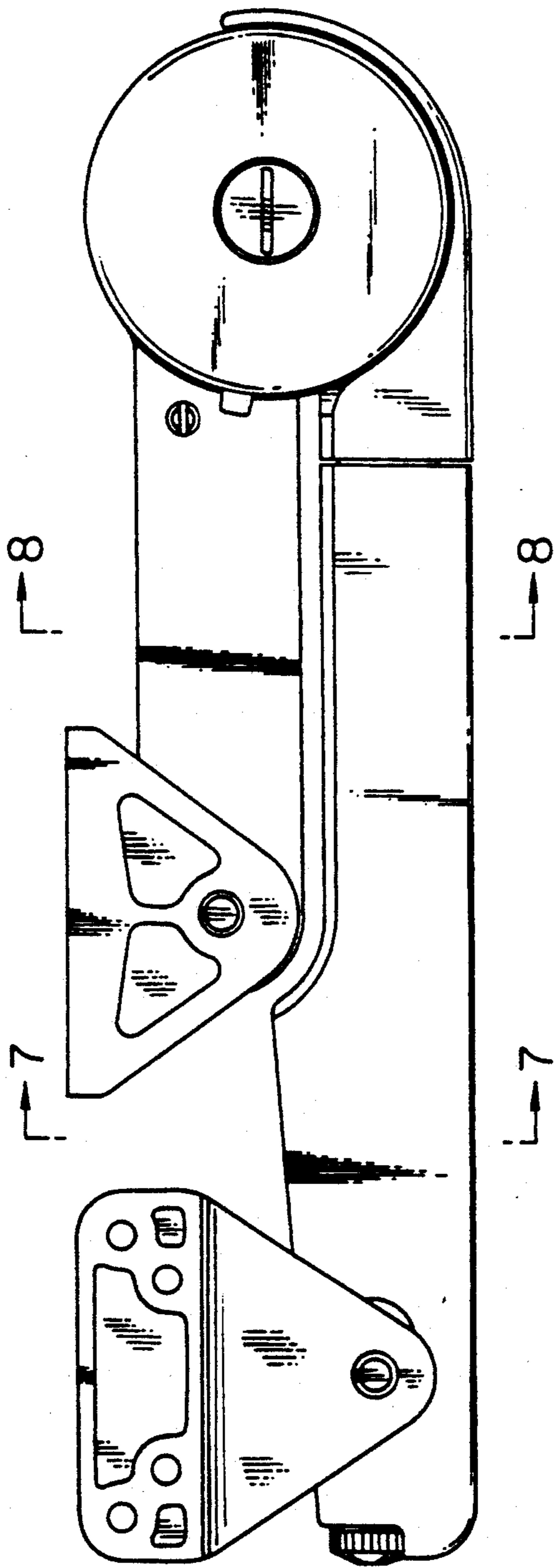


FIG.2

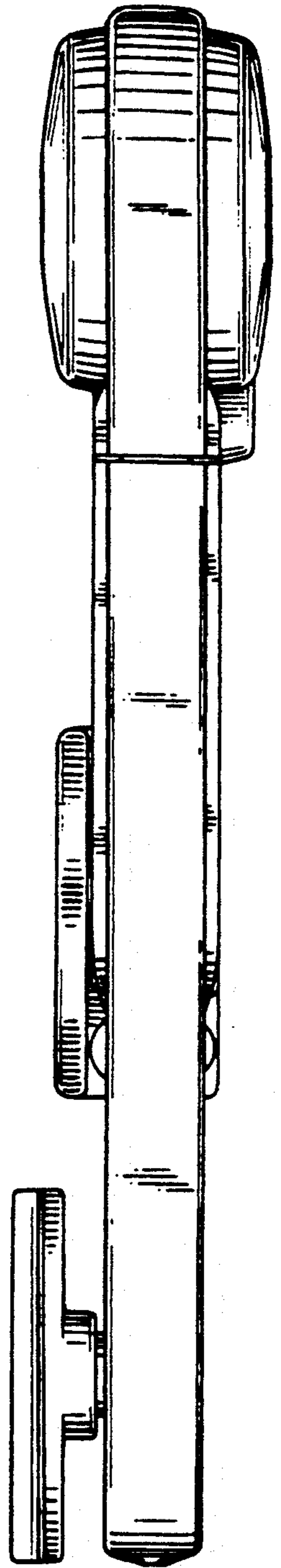


FIG.3

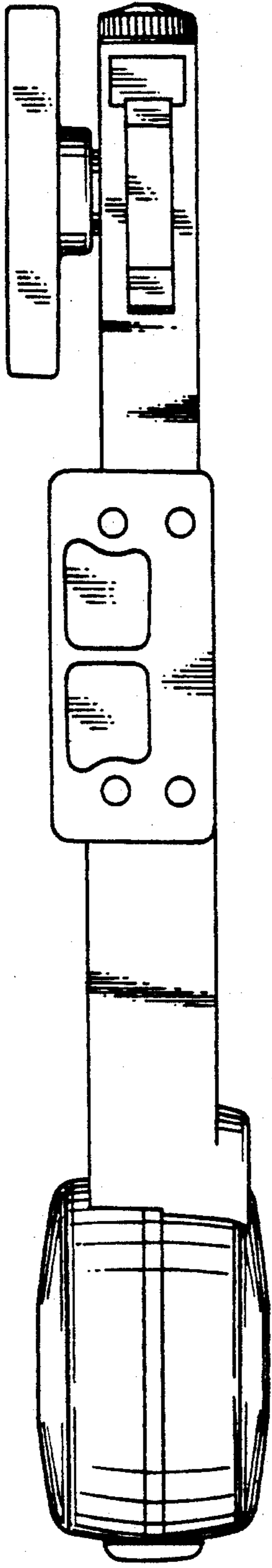


FIG.4

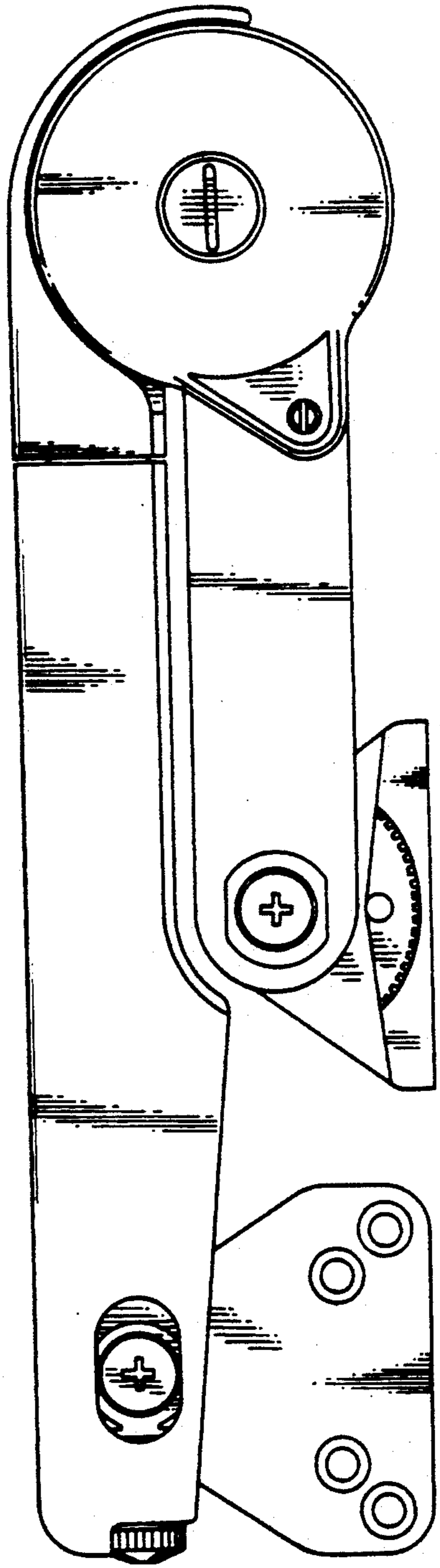


FIG. 5

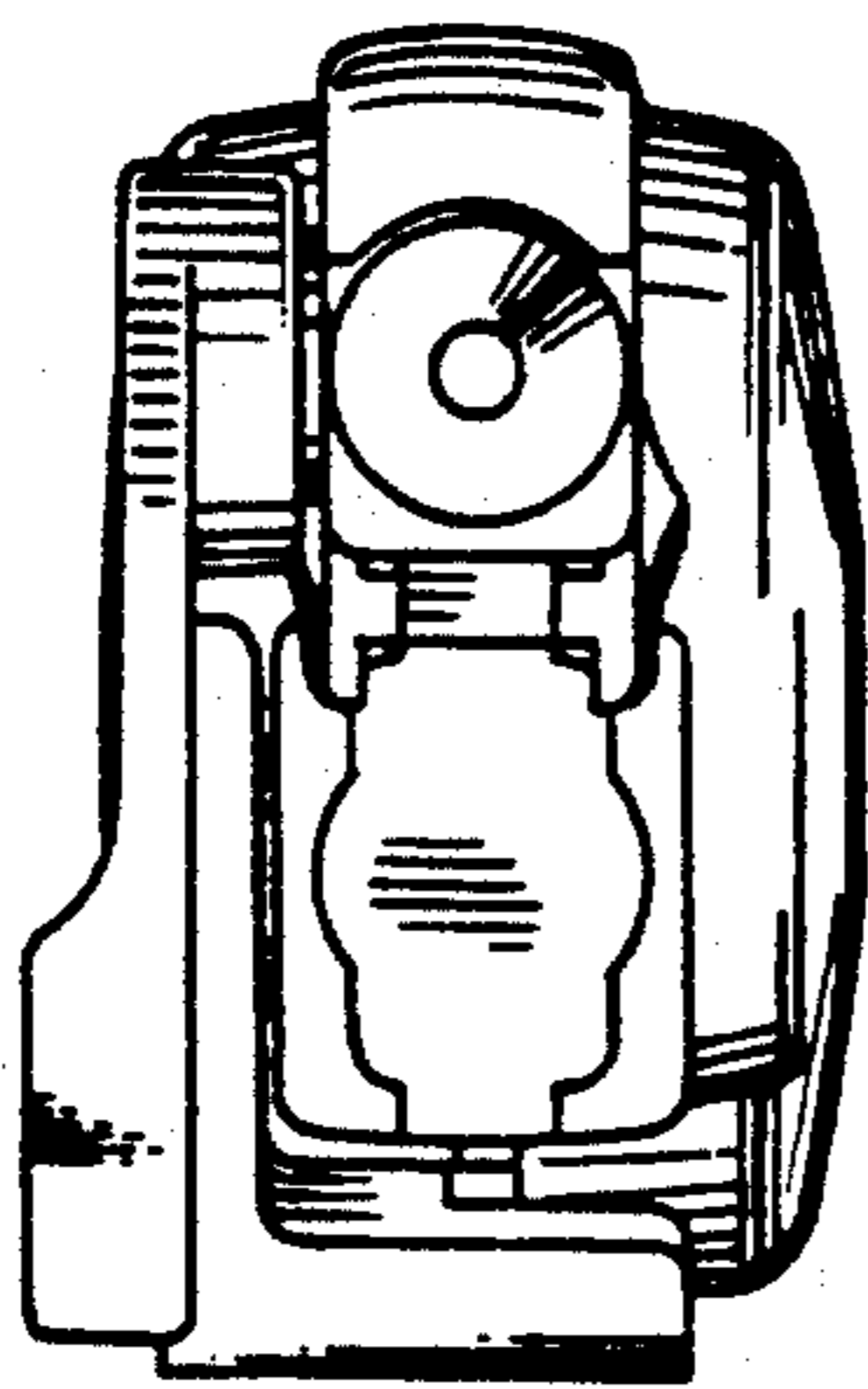


FIG. 6

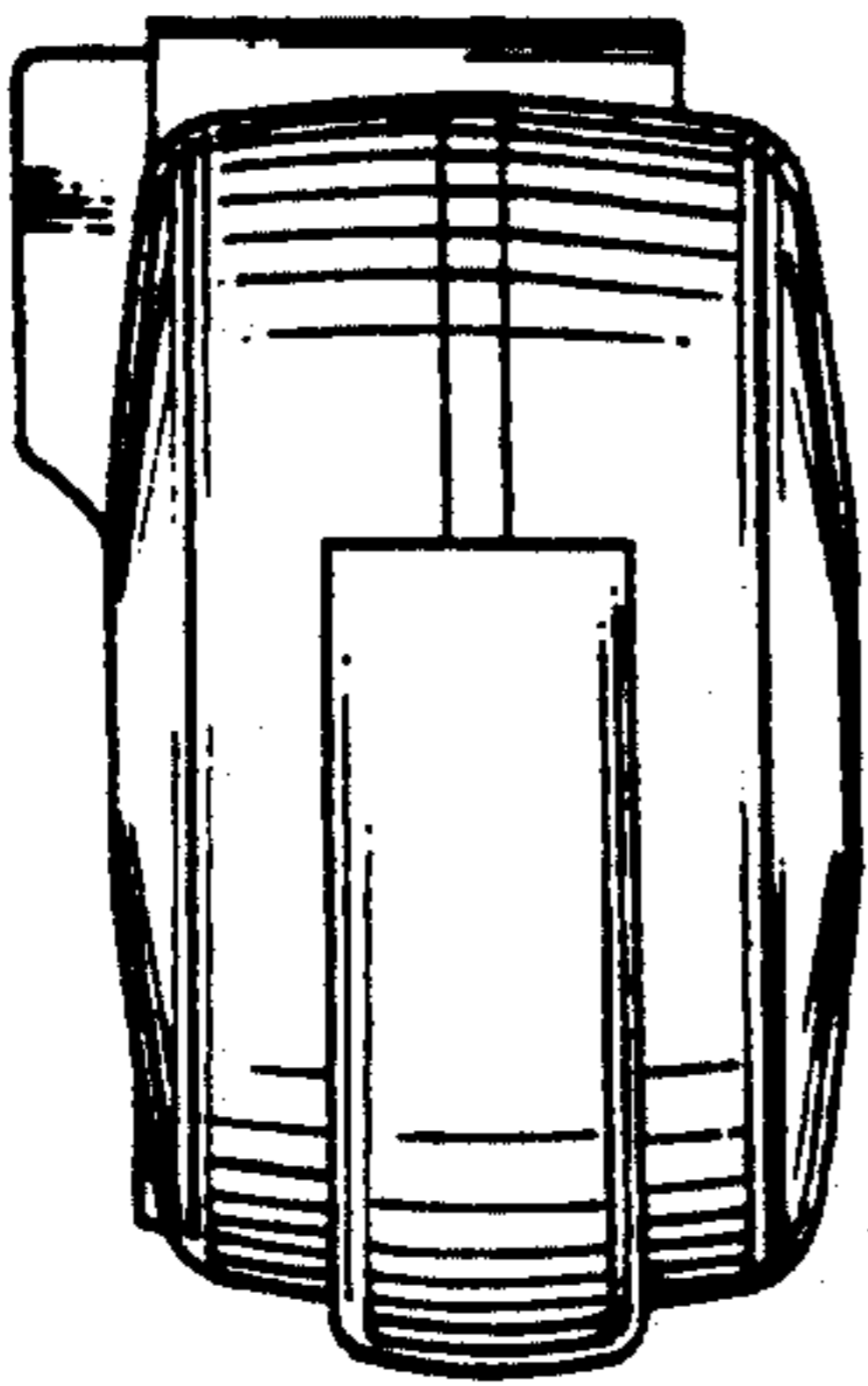


FIG. 7

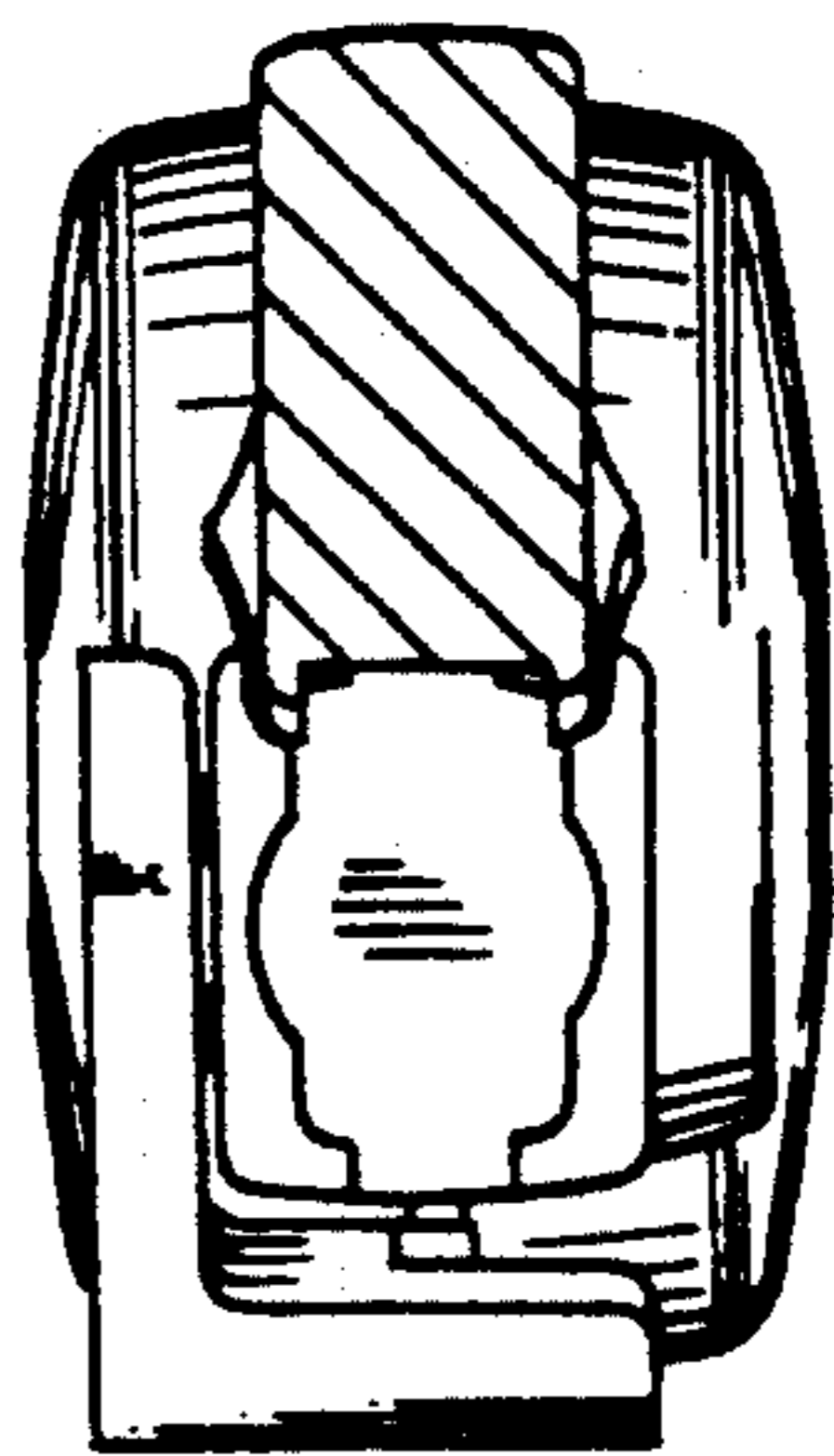


FIG. 8

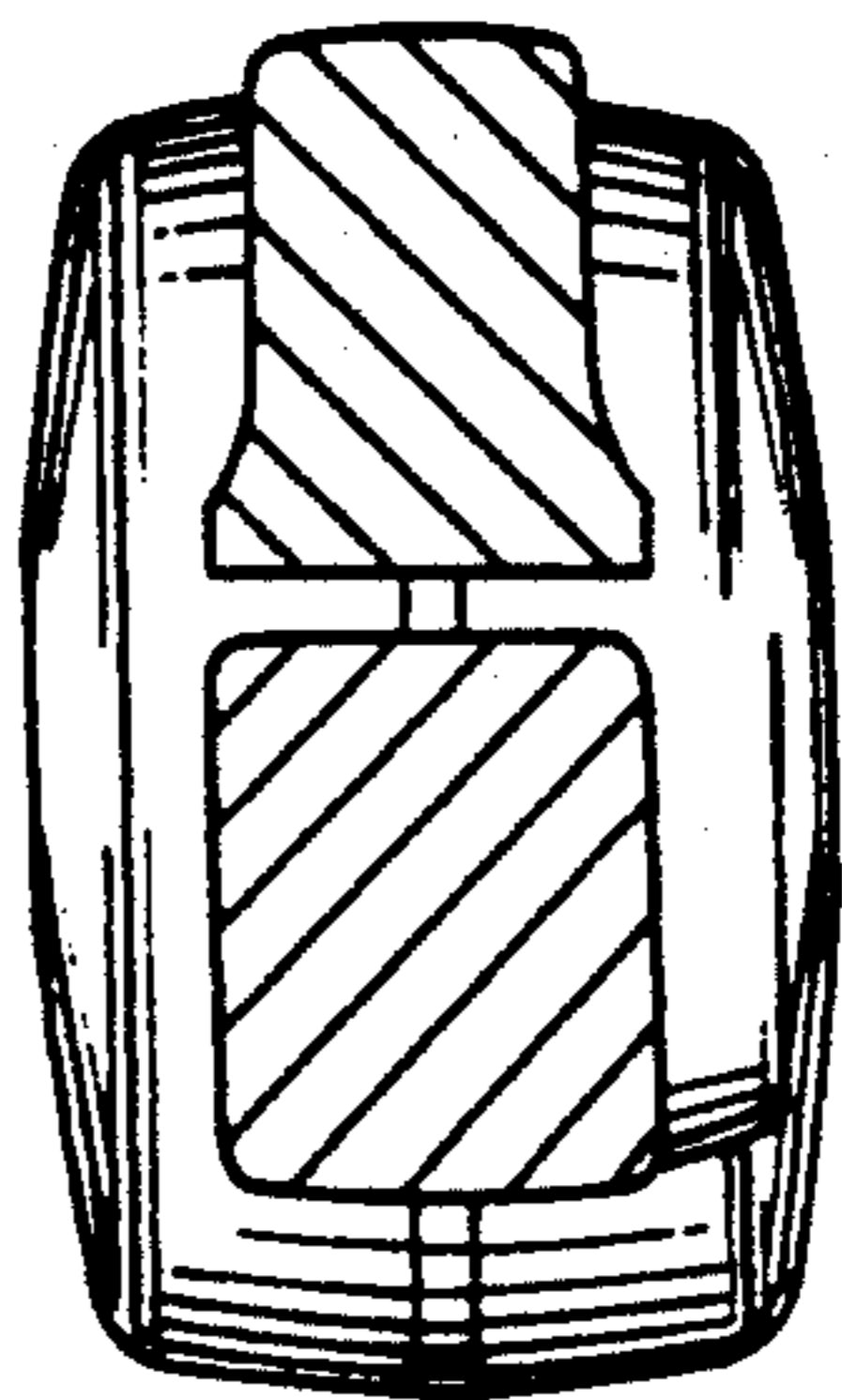


FIG. 9

