



US00D335805S

# United States Patent [19]

[11] Patent Number: **Des. 335,805**

**Ransom**

[45] Date of Patent: **\*\* May 25, 1993**

[54] **COMBINED SIGHT INSTALLATION AND ALIGNMENT TOOL FOR HAND GUNS**

3,643,937 2/1972 Russ ..... 269/251

[76] Inventor: **Dewey L. Ransom, 3393 Lee St., SE., Smyrna, Ga. 30080**

*Primary Examiner*—Bernard Ansher  
*Assistant Examiner*—P. Hyder  
*Attorney, Agent, or Firm*—B. J. Powell

[\*\*] Term: **14 Years**

[57] **CLAIM**

[21] Appl. No.: **547,107**

The ornamental design for a combined sight installation and alignment tool for hand guns, as shown and described.

[22] Filed: **Jul. 2, 1990**

[52] U.S. Cl. .... **D8/51; D8/73**

[58] Field of Search ..... **D8/14, 51, 59, 71, 72, D8/73; 29/257; 33/233, 252, 613; 42/94, 100; 269/249, 251**

### DESCRIPTION

FIG. 1 is a perspective view of a combined sight installation and alignment tool for hand guns showing my new design;

FIG. 2 is a top plan view thereof;

FIG. 3 is a left side elevational view thereof;

FIG. 4 is a front elevational view thereof, the rear view being a mirror image;

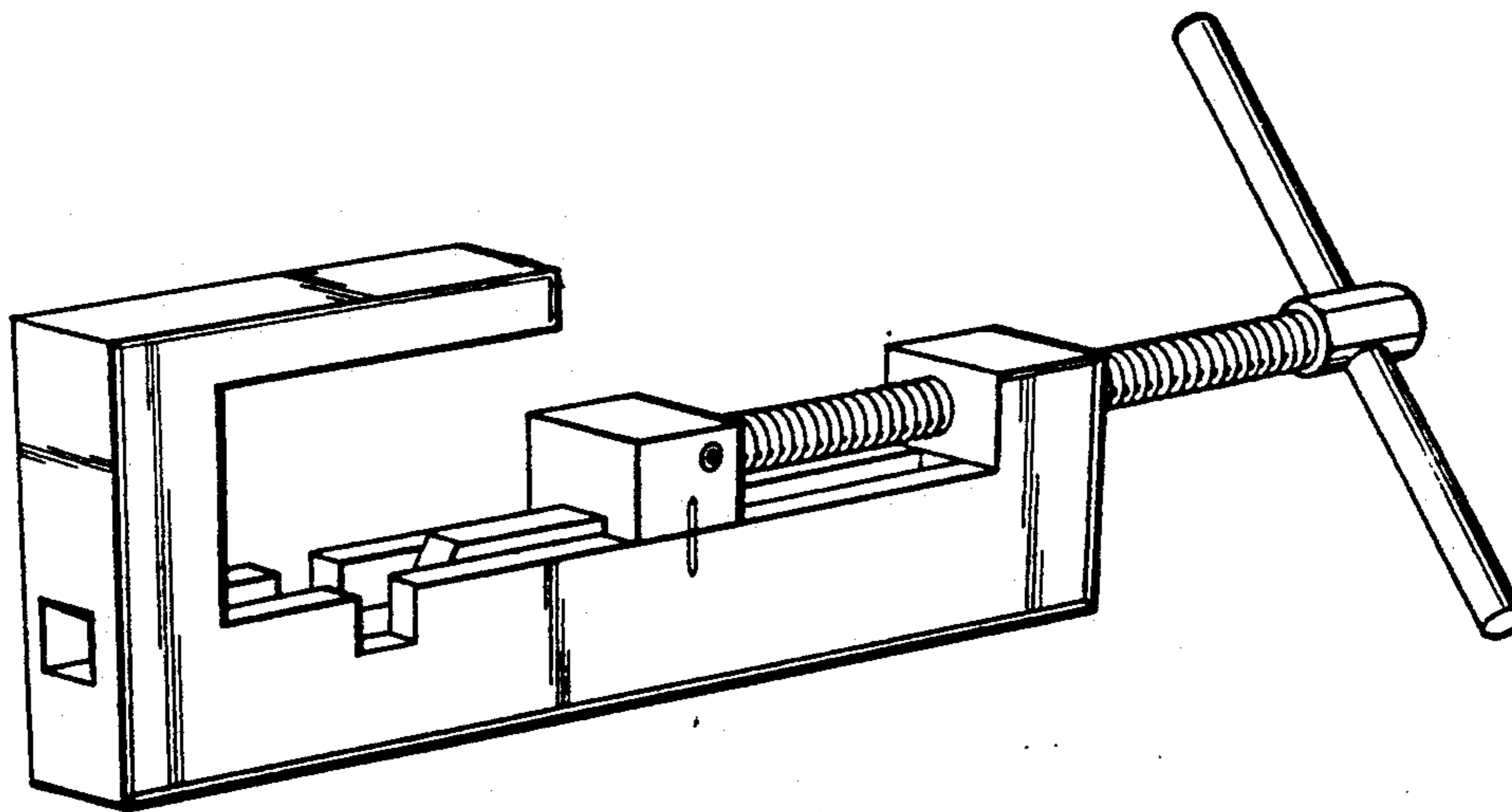
FIG. 5 is a right side elevational view thereof; and,

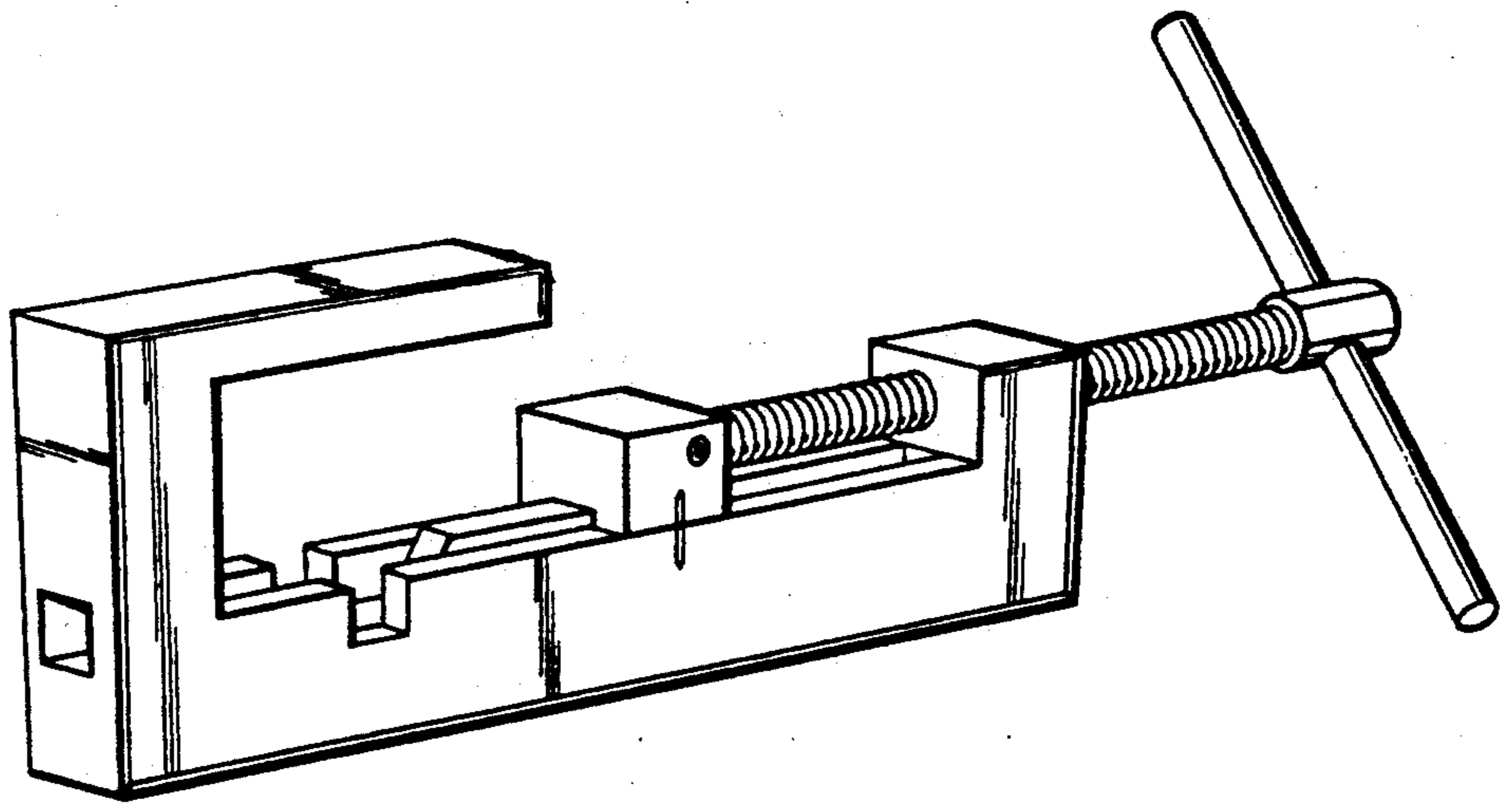
FIG. 6 is a bottom plan view thereof.

### [56] References Cited

#### U.S. PATENT DOCUMENTS

848,252	3/1907	Kitterman	29/257
2,549,429	4/1951	Cowles	29/257
2,965,958	12/1960	Gribble	29/257
3,486,746	12/1969	Stein	269/251





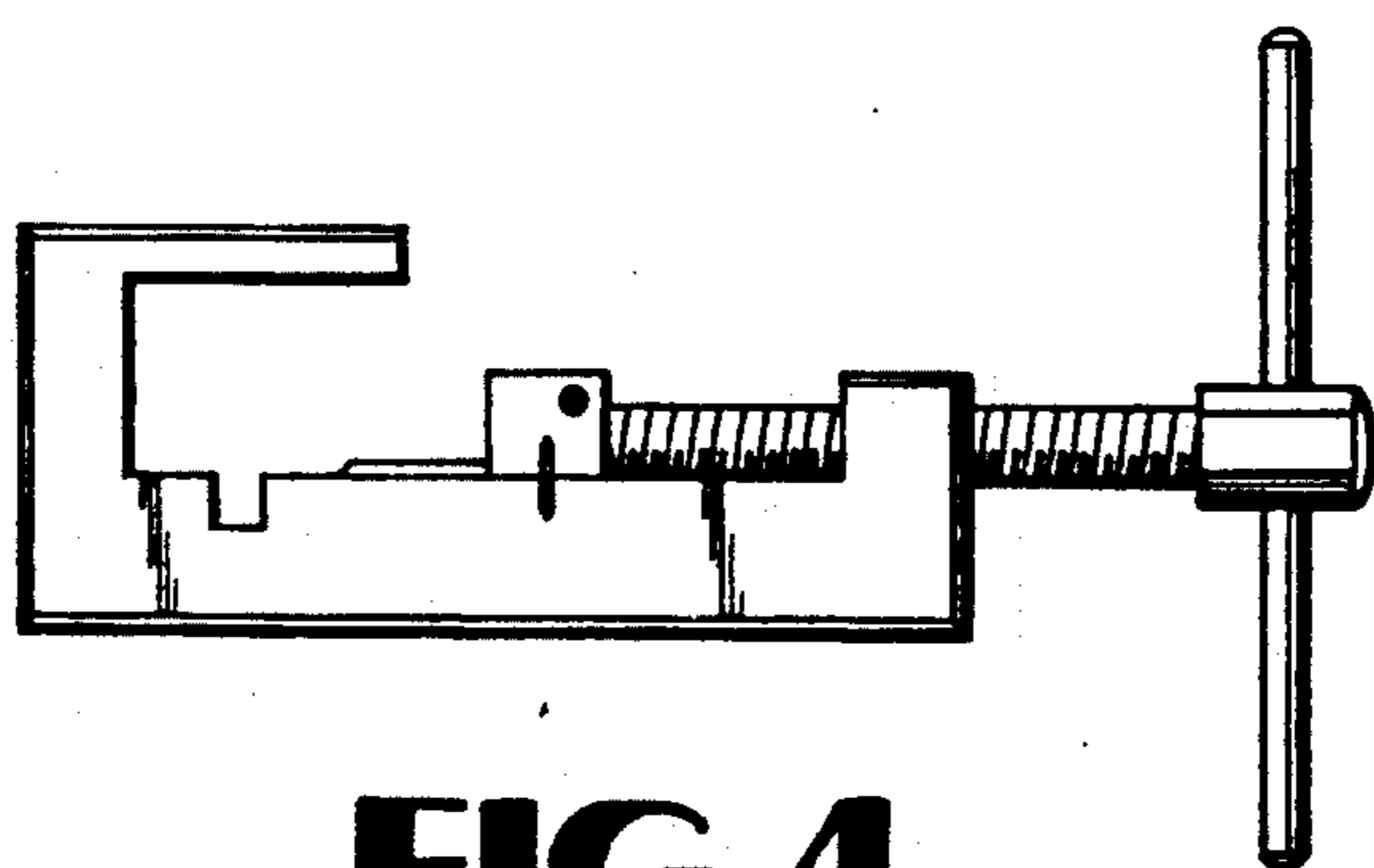
**FIG 1**



**FIG 2**



**FIG 3**



**FIG 4**



**FIG 5**



**FIG 6**