



US00D335800S

United States Patent [19]

Hamilton et al.

[11] Patent Number: **Des. 335,800**

[45] Date of Patent: **** May 25, 1993**

[54] **LUNCH BOX**

[75] Inventors: **Phillip W. Hamilton; W. Henry Kahl,**
both of Wooster, Ohio

[73] Assignee: **Rubbermaid Incorporated,** Wooster,
Ohio

[**] Term: **14 Years**

[21] Appl. No.: **790,707**

[22] Filed: **Nov. 12, 1991**

[52] U.S. Cl. **D7/626**

[58] Field of Search **D7/626; D3/30.1, 35,**
D3/39, 76, 73; 206/541, 543, 544, 545;
220/DIG. 10

[56] **References Cited**

U.S. PATENT DOCUMENTS

1,240,144	9/1917	Hoshino	220/DIG. 10 X
1,748,841	2/1930	Hermani	.	
2,672,232	3/1954	Kessell	206/4
4,279,342	7/1981	Van Pelt	D7/626 X

OTHER PUBLICATIONS

Catalog page, Lunch boxes, A. K. Das & Co., Kinder
Collection, 1809½ North Orangethorp Park, Aneheim,
Calif. 92801. It is believed that the products depicted

herein has been on sale for more than one (1) year prior
to the application date of this instant application.

Sell Sheet, workman's lunch kit, Aladdin Industries, 703
Murfreisboro Road, Nashville, Tenn. 37210. It is be-
lieved that the products depicted herein has been on
sale for more than one (1) year prior to the application
date of this instant application.

Magazine page, MetroKane Ad for lunch boxes, *House-
wares Furnishings Daily*, A Capital Cities/ABC Inc.
Company, 7 West 34th Street, New York, N.Y. 10021.
Publication date May 28, 1990.

P. 5, Cooler, Rubbermaid Incorporated, Specialty
Products Division, North Honeytown Road, Smith-
ville, Ohio 44677. Publication date 1990.

Primary Examiner—Terry A. Pfeffer

Attorney, Agent, or Firm—Richard B. O'Planick

[57] **CLAIM**

The ornamental design for a lunch box, as shown and
described.

DESCRIPTION

FIG. 1 is a top left front perspective view of a lunch box
showing our new design;

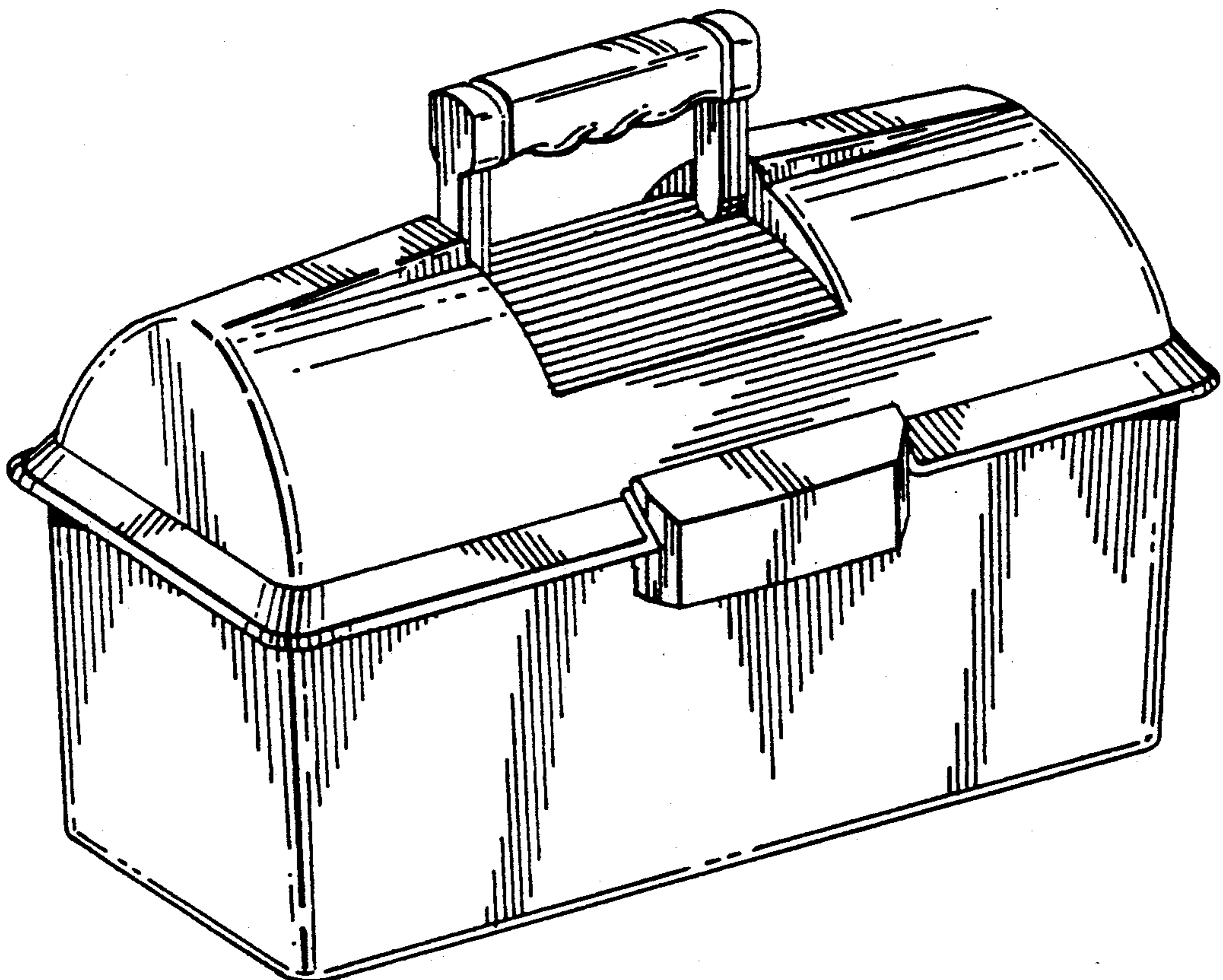
FIG. 2 is a right side elevational view thereof; the oppo-
site side being a mirror image;

FIG. 3 is a front elevational view thereof;

FIG. 4 is a rear elevational view thereof;

FIG. 5 is a top plan view thereof; and,

FIG. 6 is a bottom plan view thereof.



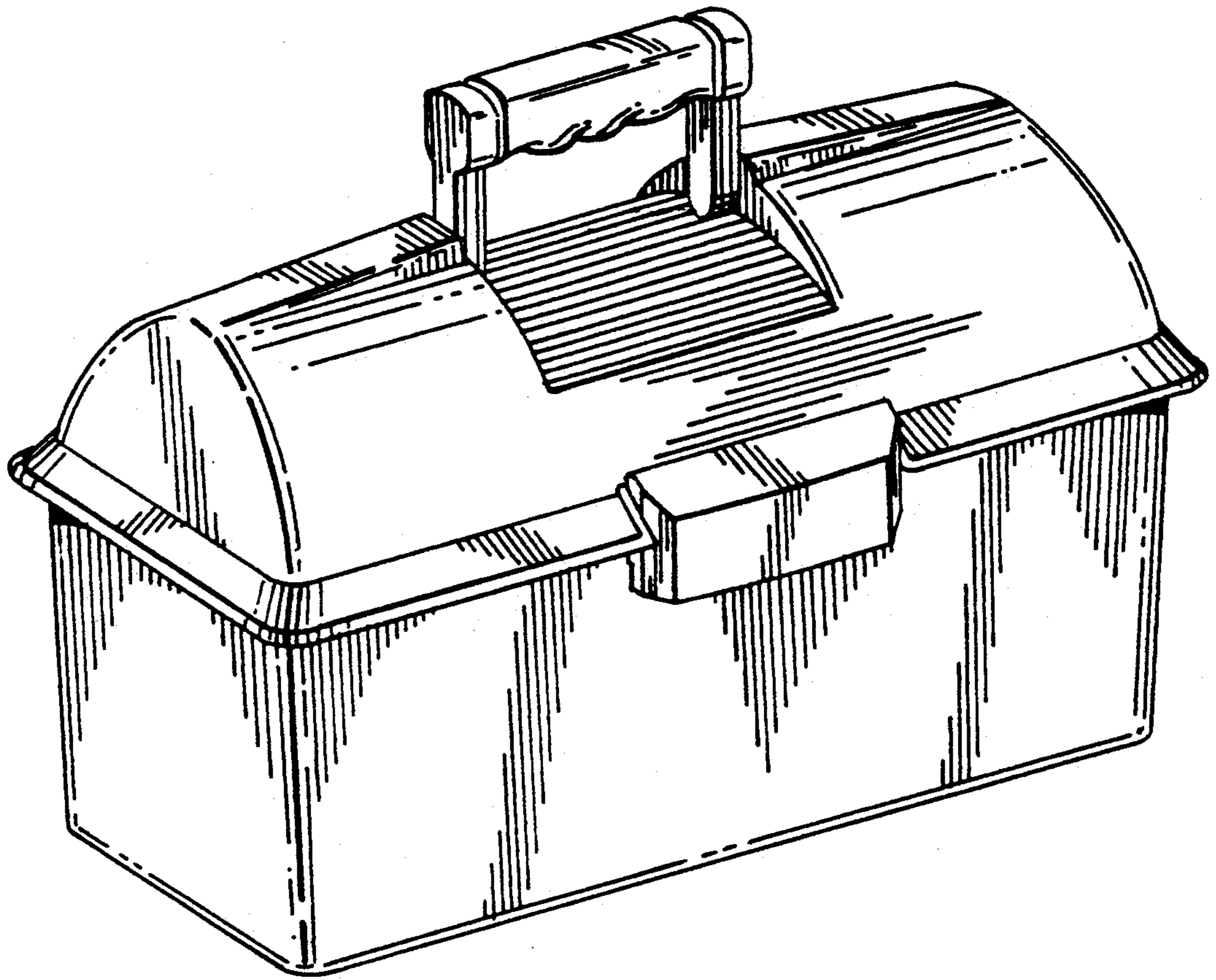


FIG. 1

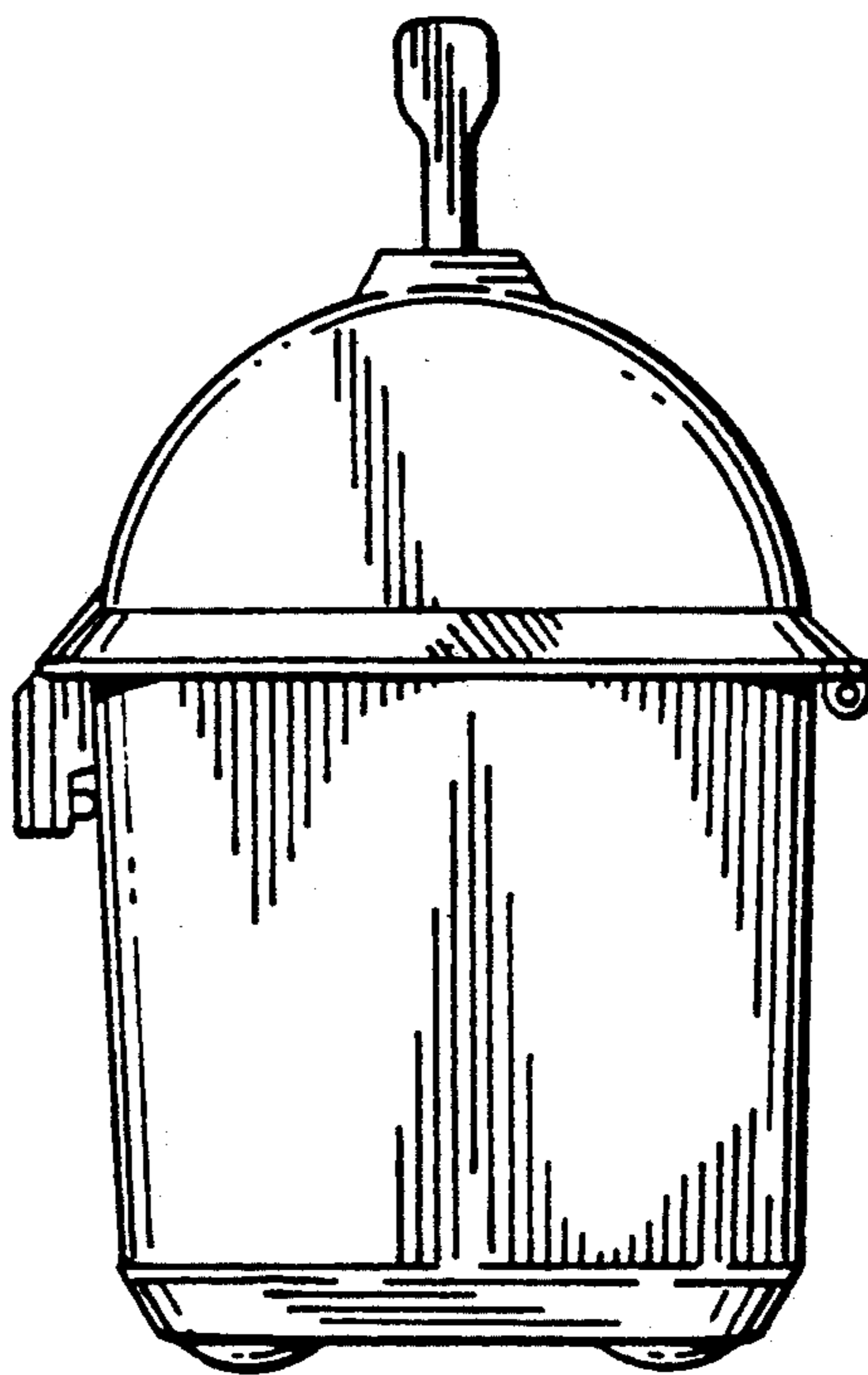


FIG. 2

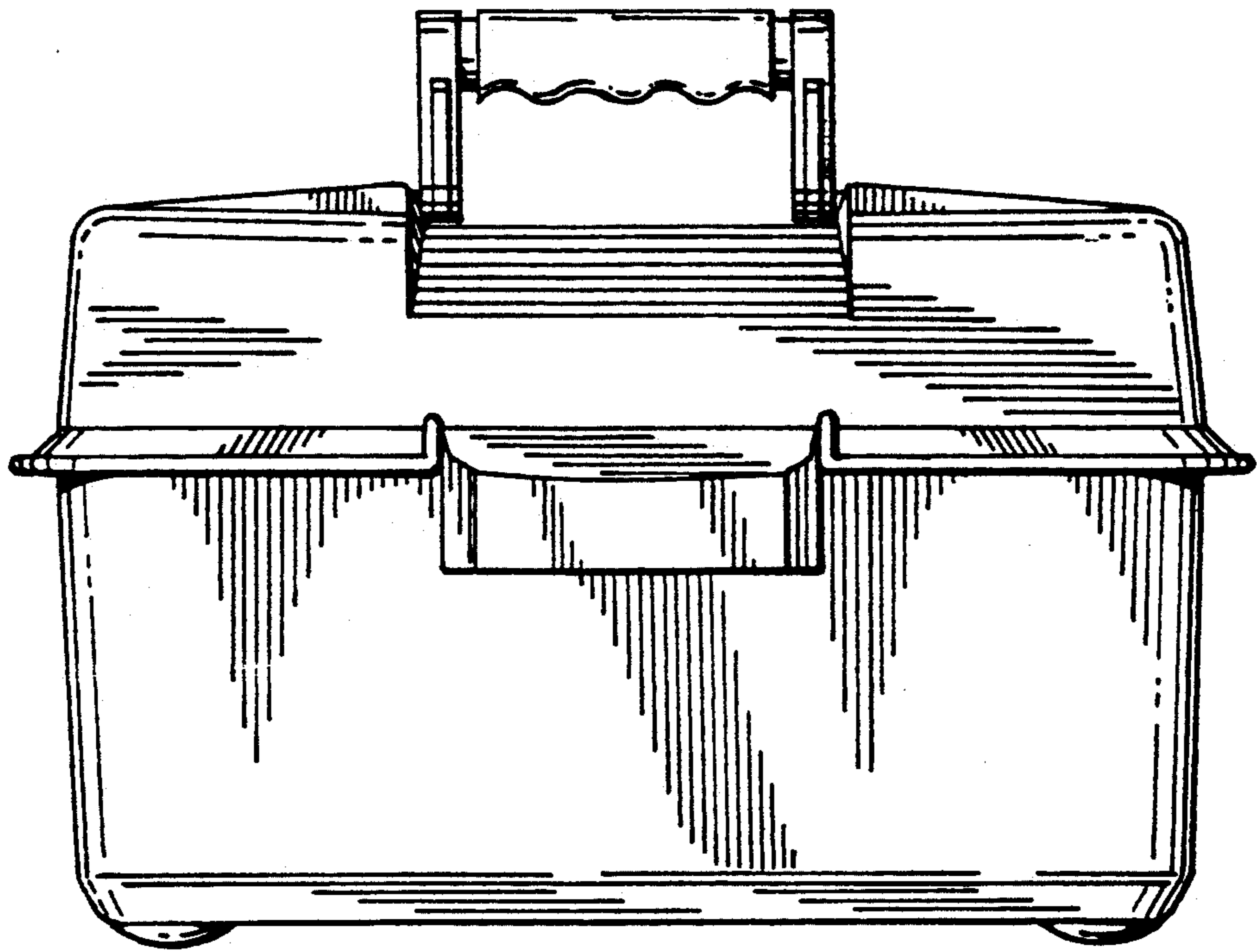


FIG. 3

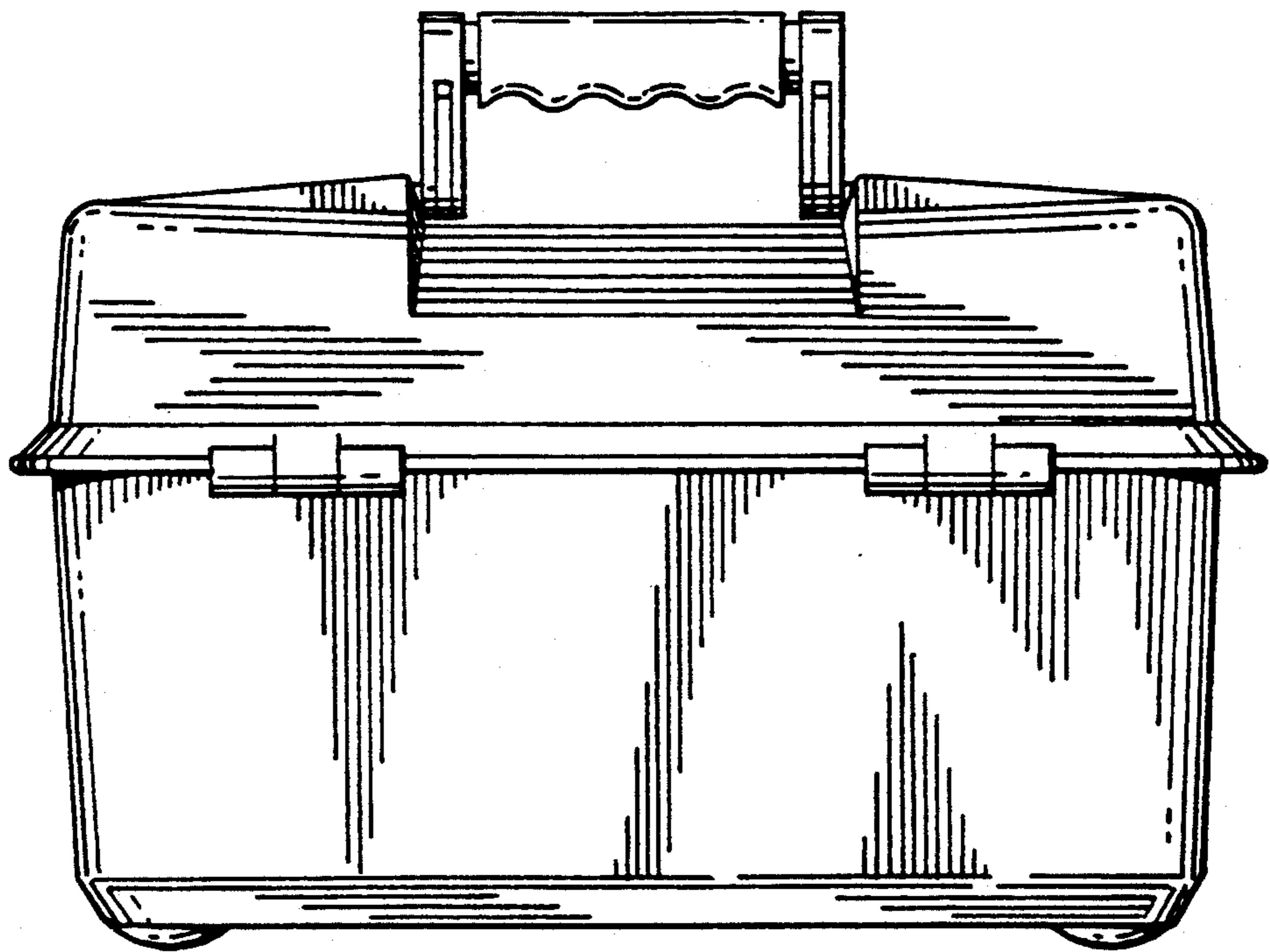


FIG. 4

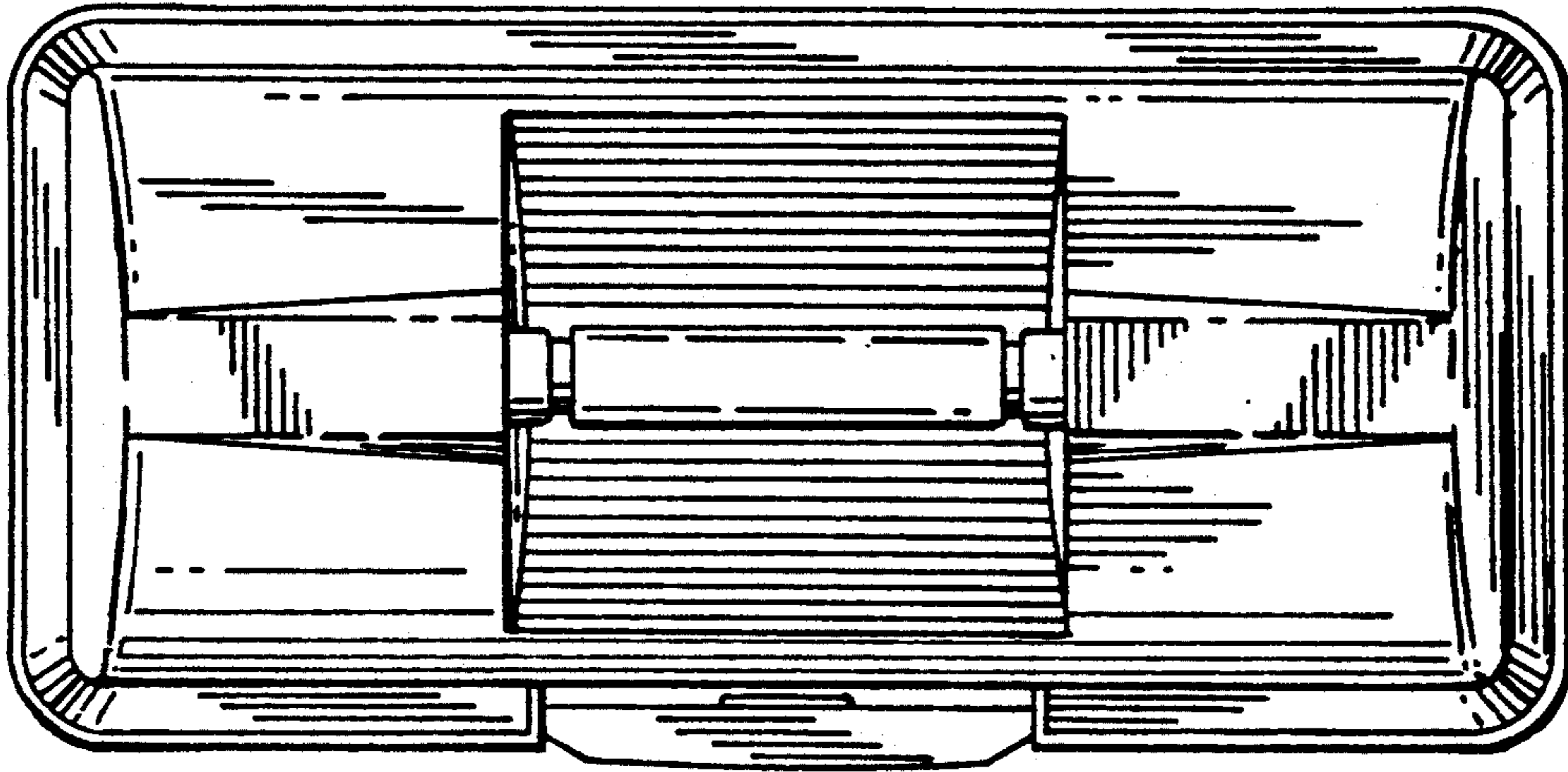


FIG. 5

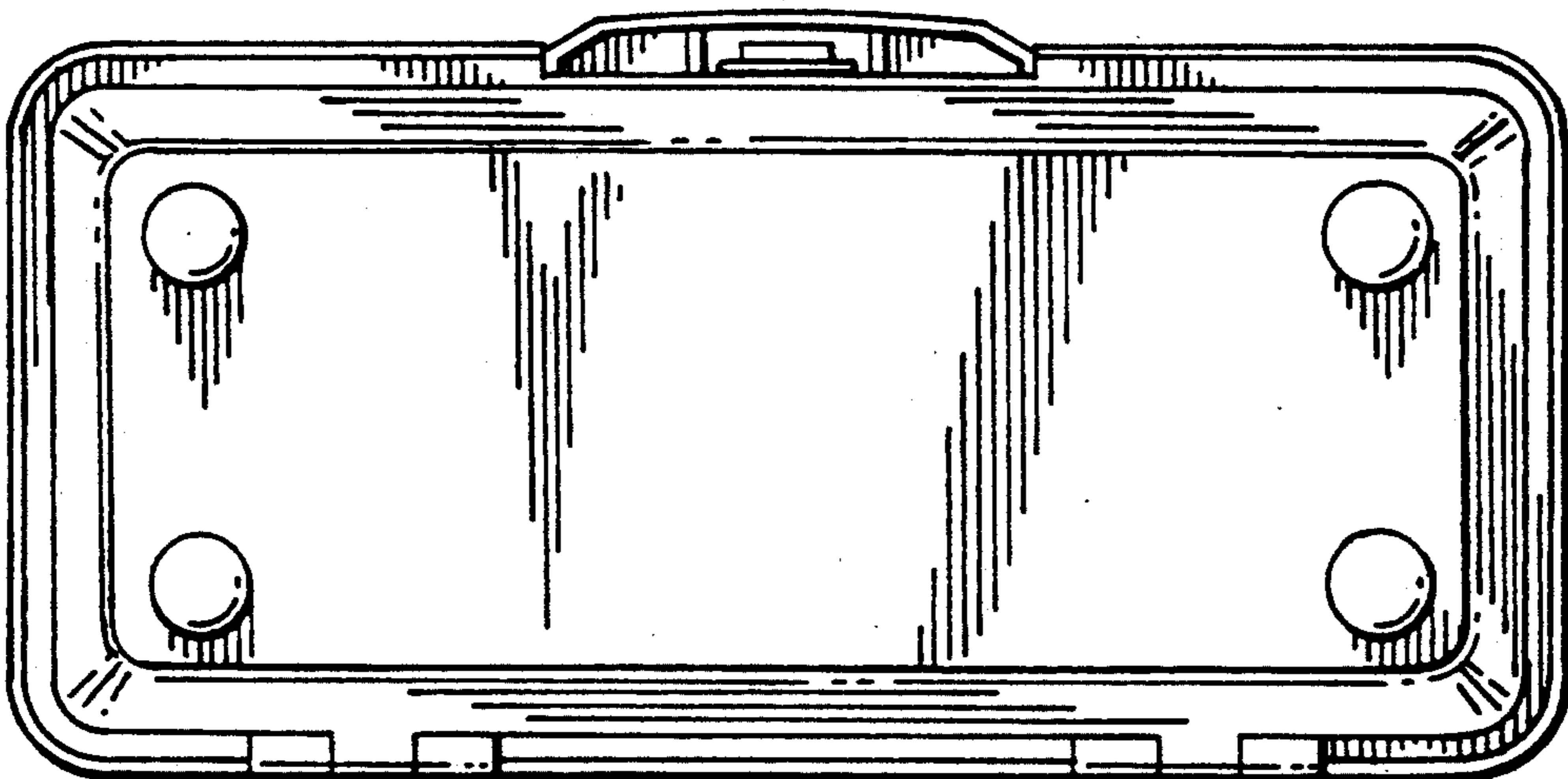


FIG. 6