



US00D335799S

# United States Patent [19]

[11] Patent Number: **Des. 335,799**

Jong

[45] Date of Patent: **\*\* May 25, 1993**

[54] **COMBINED UTENSIL HOLDER, CUTTING BOARD AND SLICER**

D. 311,305 10/1990 Melamenchuk ..... D7/673  
D. 318,000 7/1991 Wu ..... D7/641

[76] Inventor: **Yu J. Jong, P.O. Box 82-144, Taipei, Taiwan**

*Primary Examiner—Terry A. Pfeffer  
Attorney, Agent, or Firm—Alfred Lei*

[\*\*] Term: **14 Years**

[57] **CLAIM**

[21] Appl. No.: **641,100**

The ornamental design for a combined utensil holder, cutting board and slicer, as shown and described.

[22] Filed: **Jan. 14, 1991**

**DESCRIPTION**

[52] U.S. Cl. .... **D7/638; D7/673**

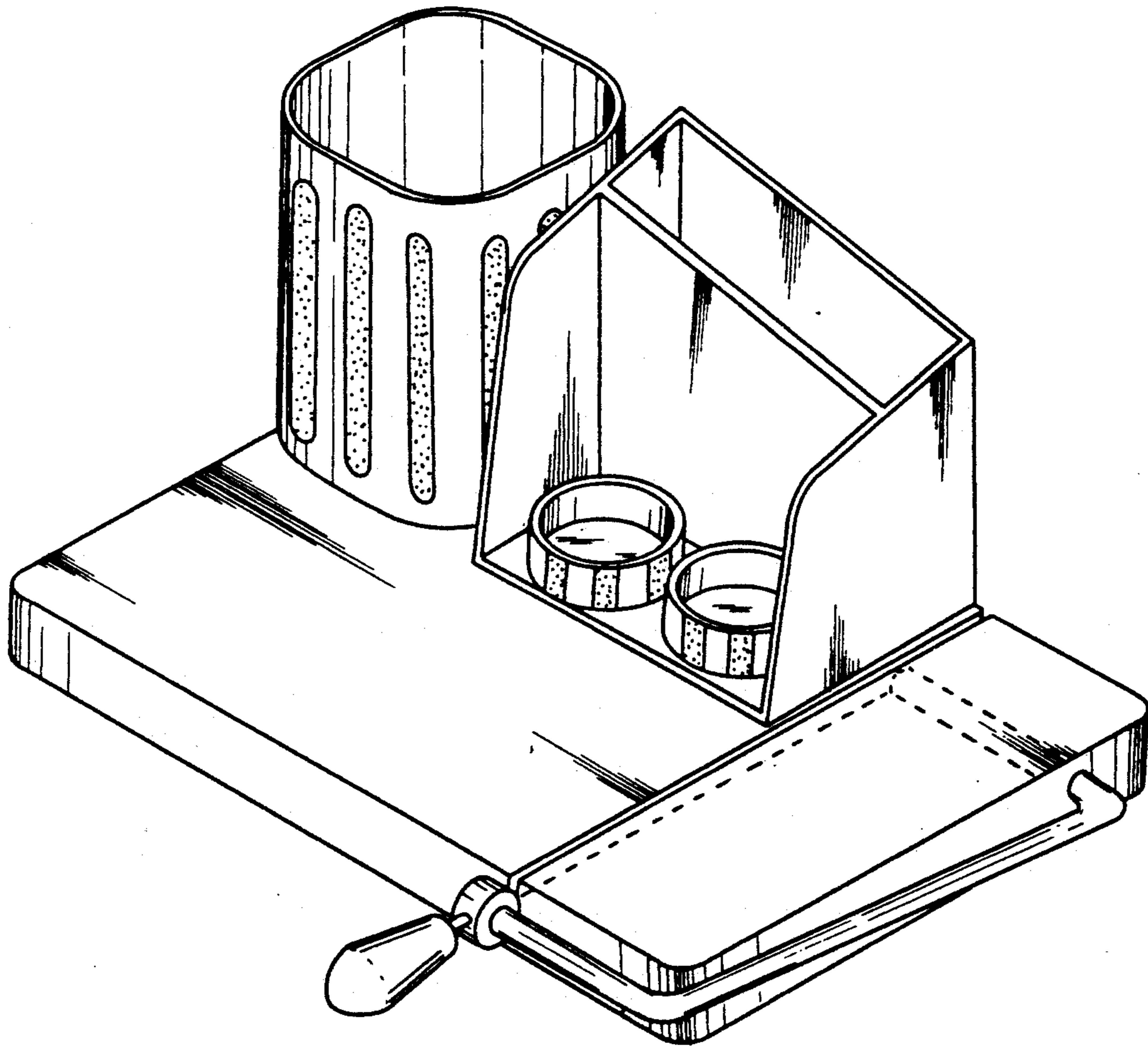
[58] Field of Search ..... **D7/601, 637-641, D7/673, 698, 699; 30/114-117; 211/60.1, 70.6, 70.7; 269/302.1**

FIG. 1 is a perspective view of a multi-purpose kitchen kit showing my new design;  
FIG. 2 is a front elevational view thereof;  
FIG. 3 is a rear elevational view thereof;  
FIG. 4 is a right side elevational view thereof;  
FIG. 5 is a left side elevational view thereof;  
FIG. 6 is a top plan view thereof; and,  
FIG. 7 is a bottom plan view thereof.

[56] **References Cited**

**U.S. PATENT DOCUMENTS**

D. 230,928 3/1974 Lax ..... D7/673



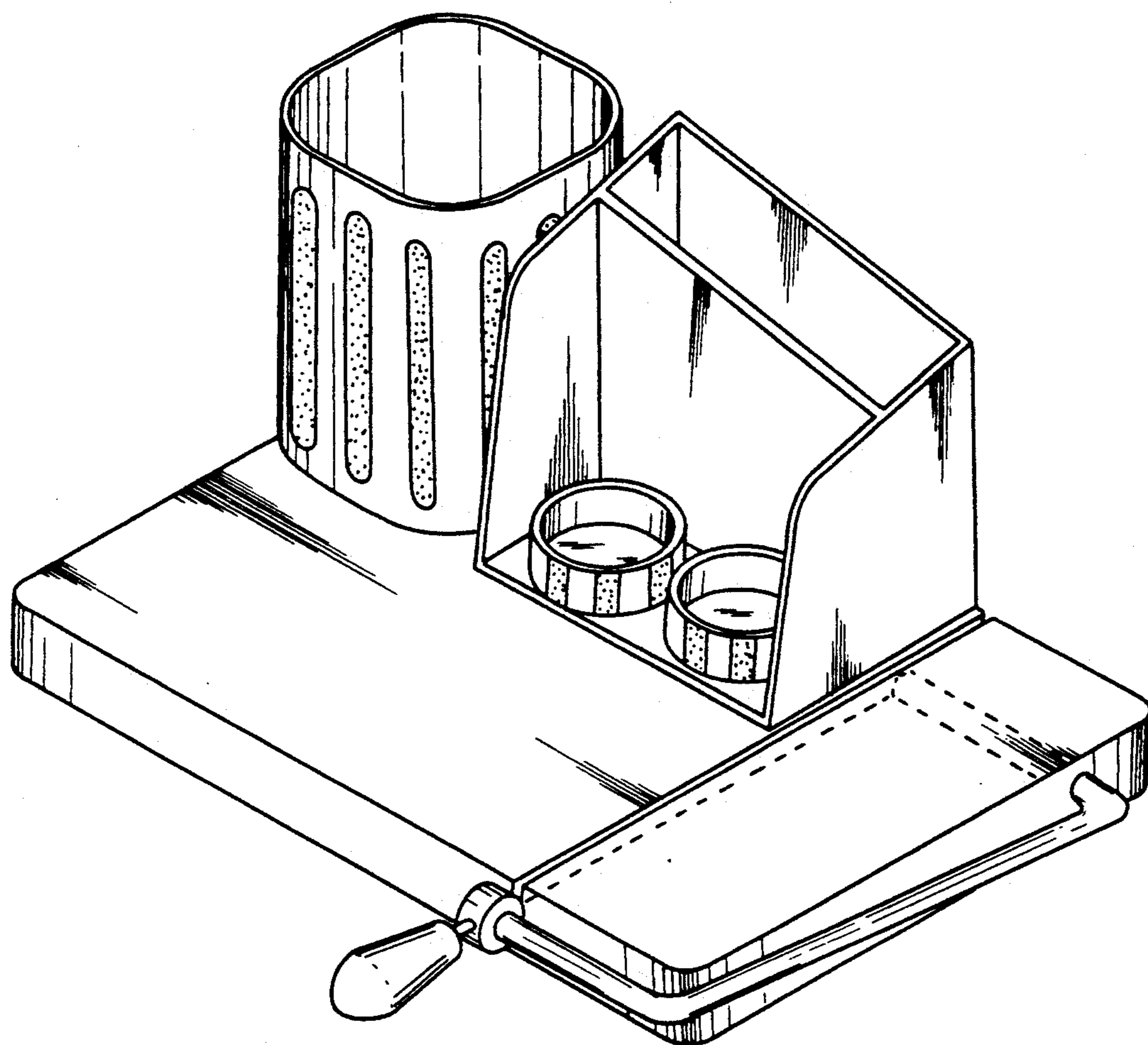


FIG. 1

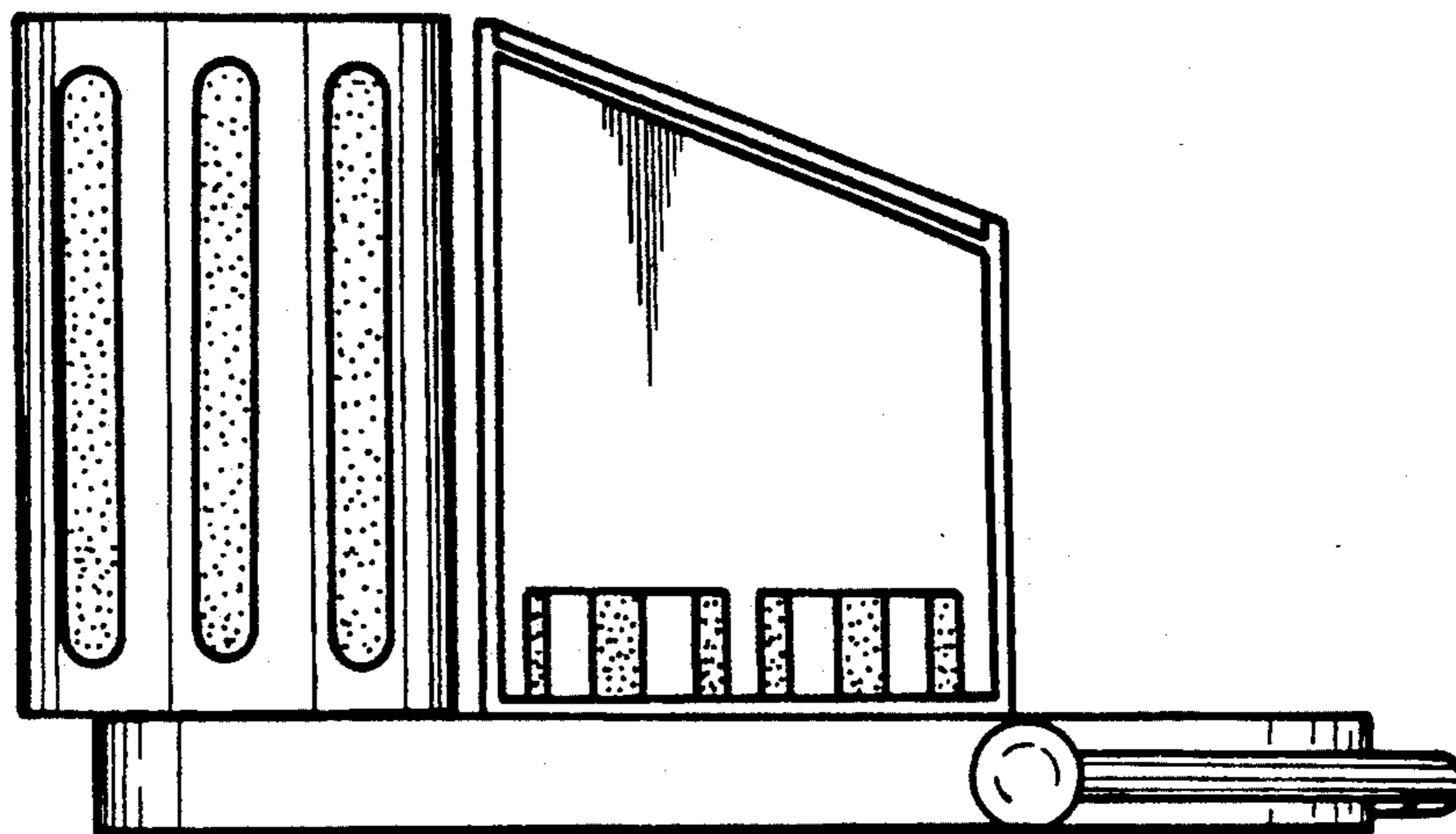


FIG. 2

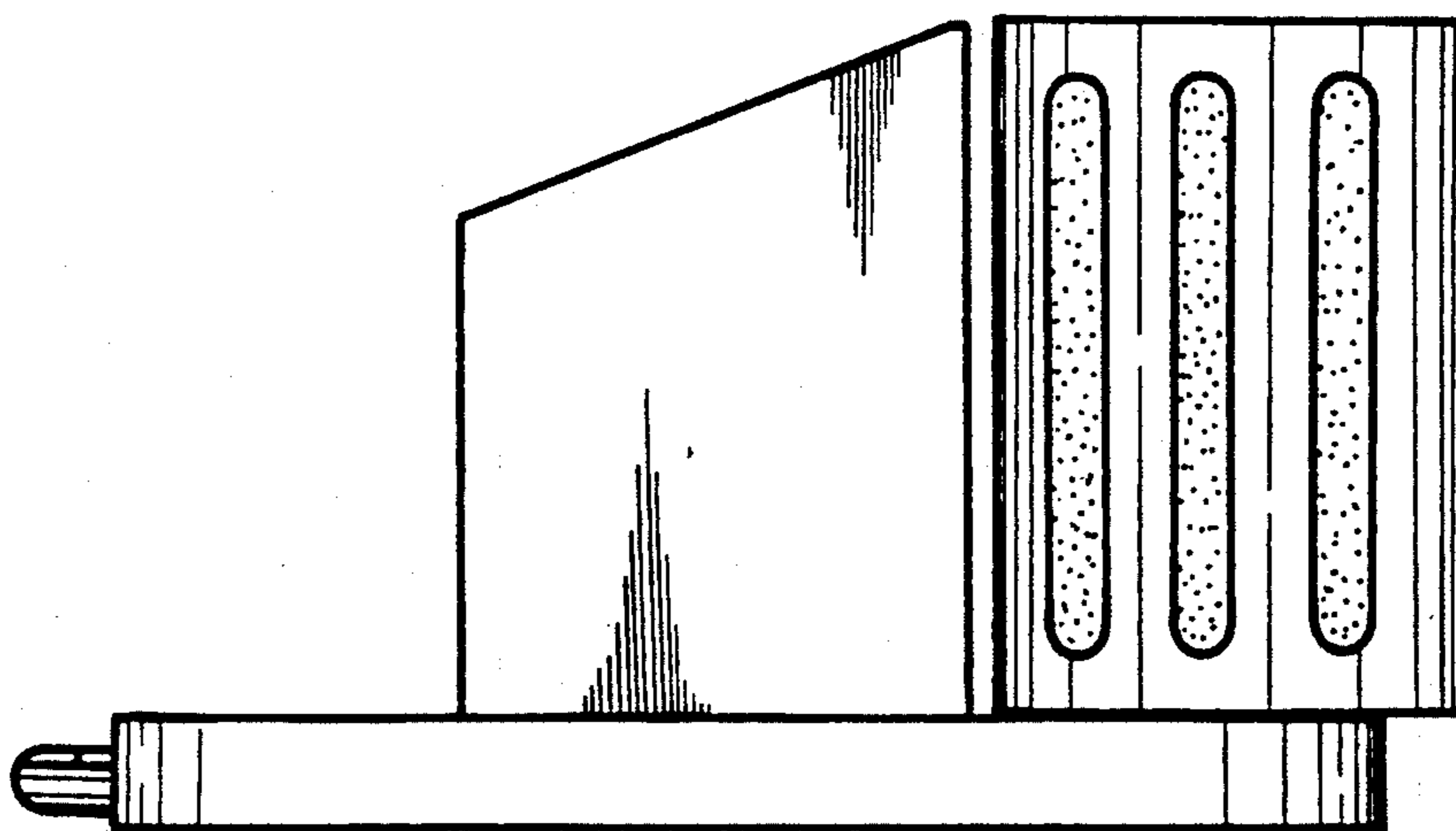


FIG. 3

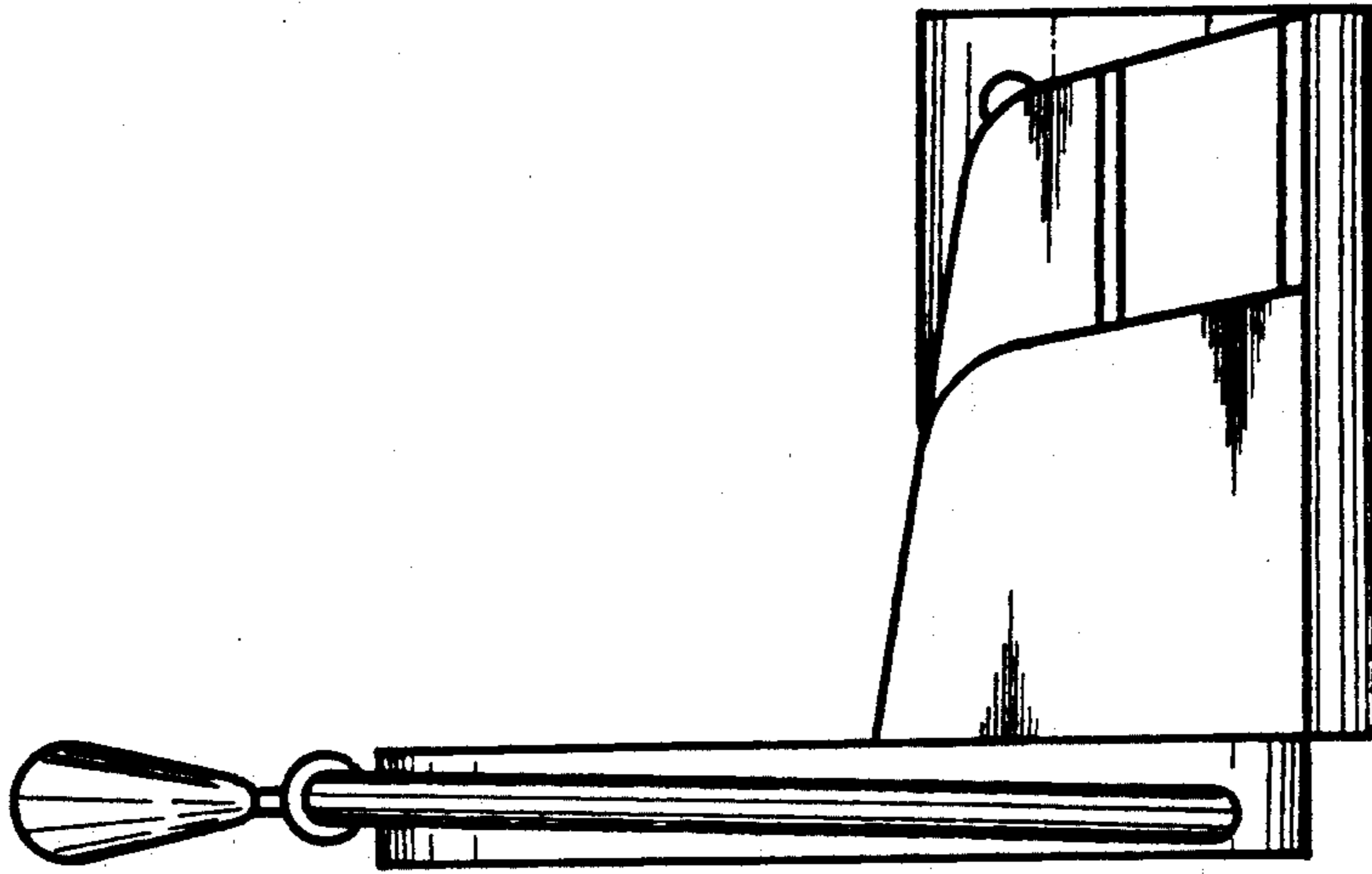


FIG. 4

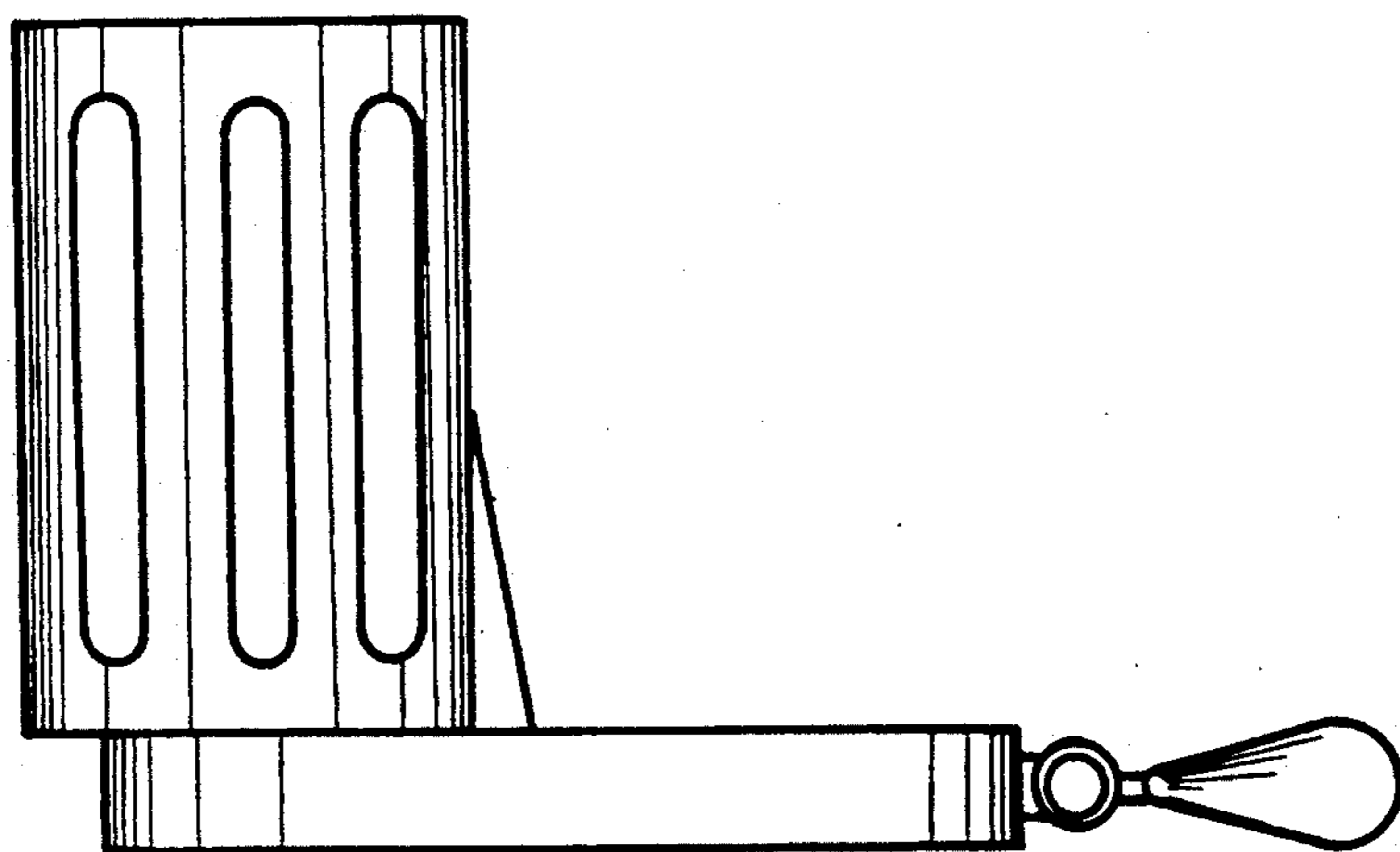


FIG. 5

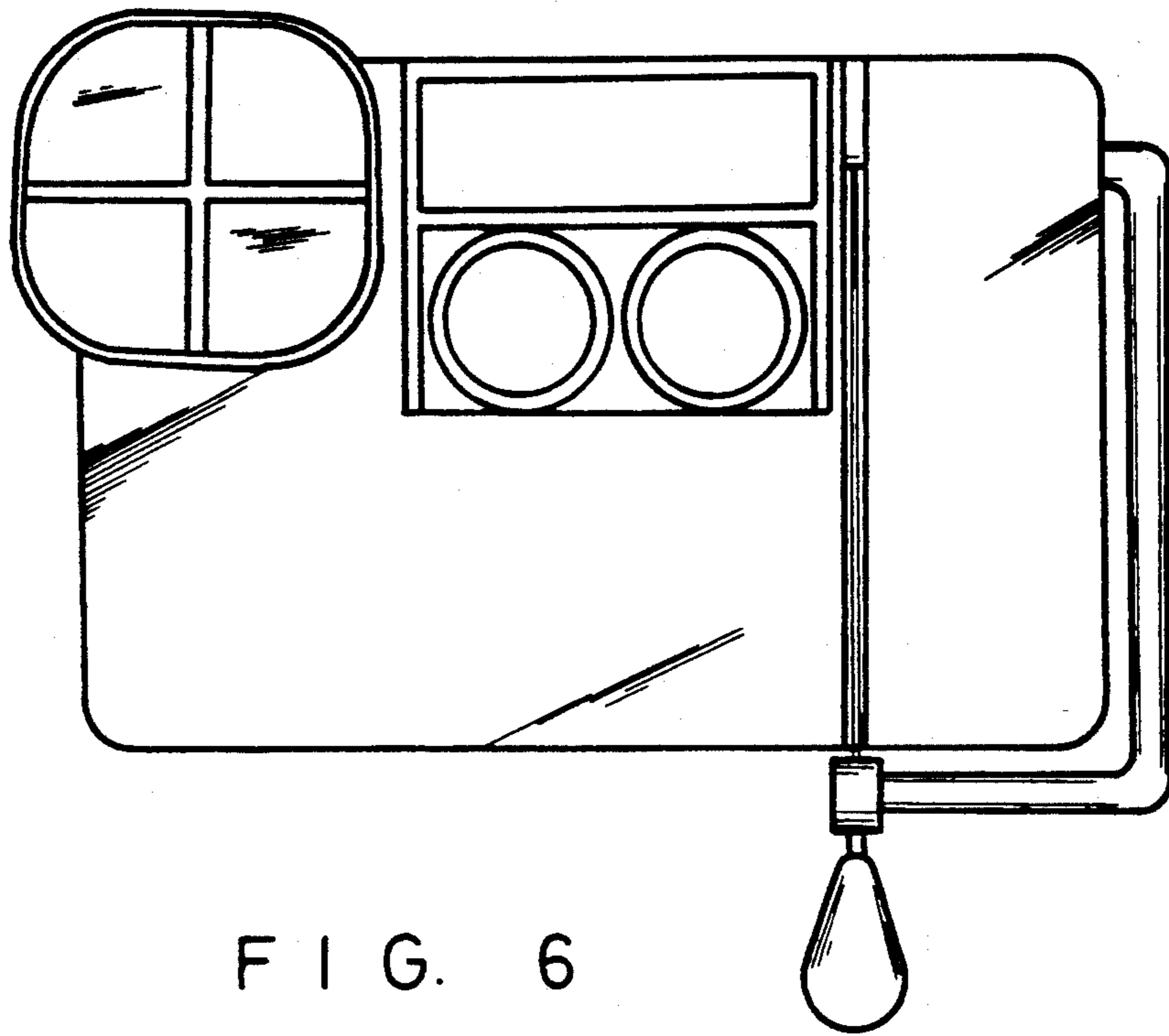


FIG. 6

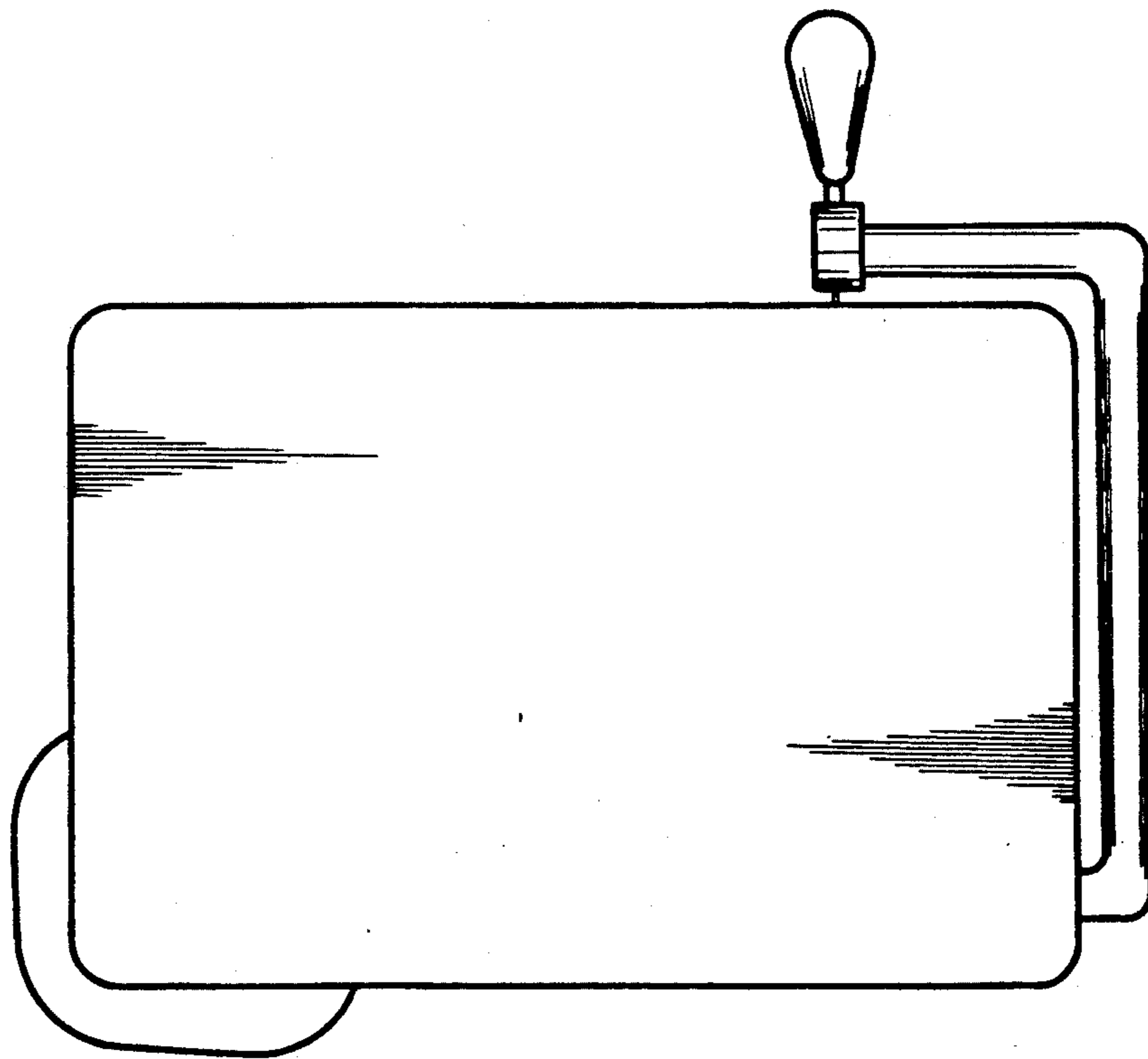


FIG. 7