



US00D335796S

United States Patent [19]

[11] Patent Number: Des. 335,796

Barnes

[45] Date of Patent: ** May 25, 1993

[54] FOOD SERVING TRAY

[75] Inventor: **Ronnie J. Barnes**, Nashville, Tenn.

[73] Assignee: **Aladdin Synergetics, Inc.**, Nashville, Tenn.

[**] Term: **14 Years**

[21] Appl. No.: **471,727**

[22] Filed: **Jan. 29, 1990**

[52] U.S. Cl. **D7/553; D9/347**

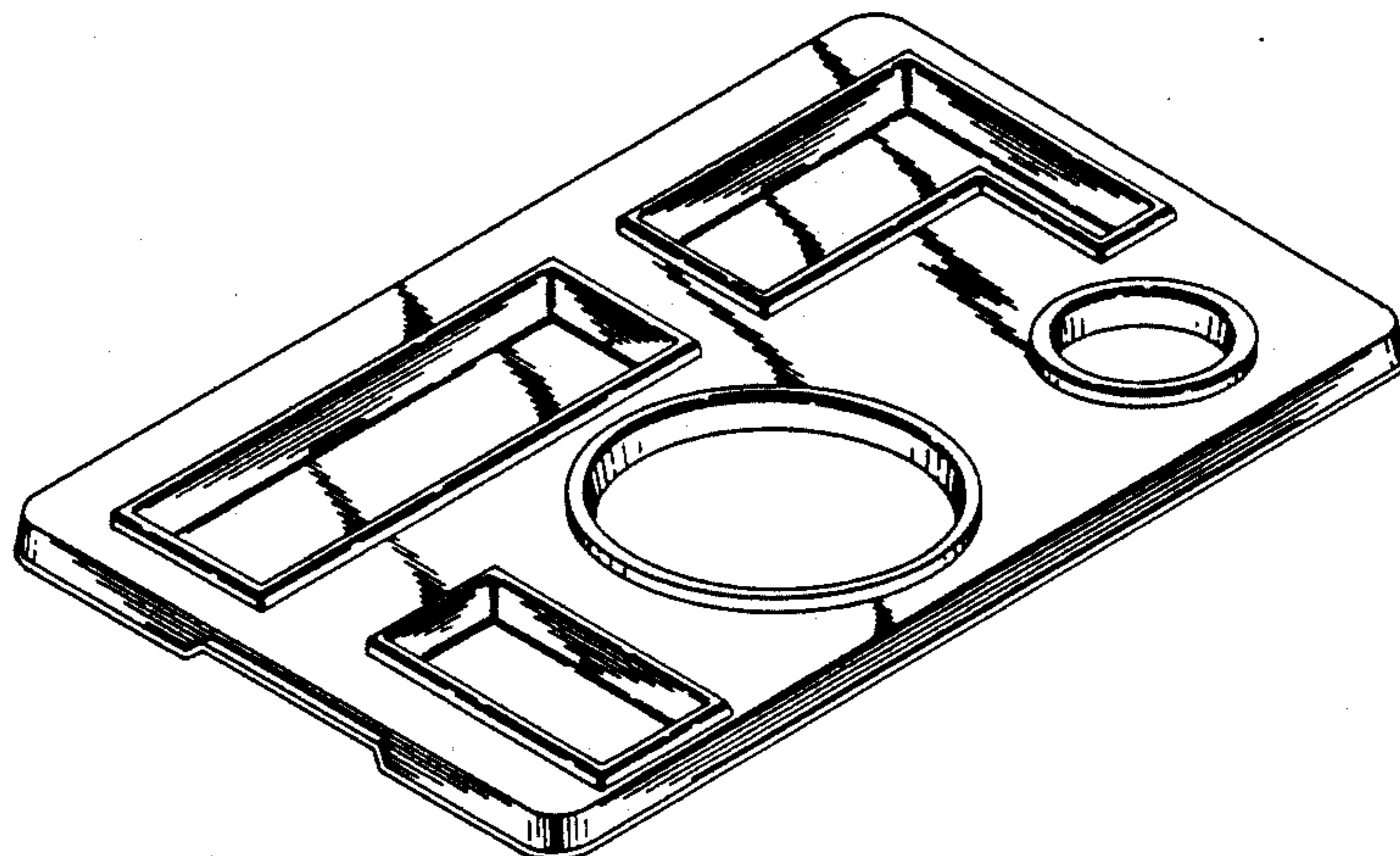
[58] Field of Search **D21/543, 545, 546, 550; D9/424, 347, 341; D7/392.1, 391, 553, 549, 554, 538, 541, 391, 396.1, 402; 220/DIG. 10, 4.21, 575, 556, DIG. 13; 99/DIG. 14; 206/545, 564, 508, 557, 509, 538; 219/386; 294/172**

| | | | |
|------------|---------|---------------------|----------|
| D. 260,604 | 9/1981 | Otto . | |
| D. 261,569 | 11/1981 | Herbst . | |
| D. 267,767 | 2/1983 | Storrs . | |
| D. 271,932 | 12/1983 | Mosley . | |
| D. 276,116 | 10/1984 | Basil | D7/553 X |
| D. 276,215 | 11/1984 | Wang . | |
| D. 280,059 | 8/1985 | Otto . | |
| D. 282,516 | 2/1986 | Otto . | |
| D. 287,862 | 1/1987 | Hauser et al. . | |
| D. 292,768 | 7/1988 | Kearney . | |
| D. 296,748 | 7/1988 | Pomroy . | |
| D. 301,820 | 6/1989 | Wasserman . | |
| D. 305,085 | 12/1989 | Otto . | |
| D. 305,192 | 12/1989 | van Erkel . | |
| D. 311,662 | 10/1990 | Lorenzana et al. . | |
| D. 320,552 | 10/1991 | Chanel . | |
| D. 320,909 | 10/1911 | Szablak et al. | D7/550 X |
| 1,436,406 | 11/1922 | Schulz . | |
| 2,147,886 | 2/1939 | Devine . | |
| 2,616,269 | 11/1952 | Reynolds . | |
| 2,656,946 | 10/1953 | Clarke . | |
| 2,709,904 | 6/1955 | Boughton . | |
| 2,810,276 | 10/1957 | Murray . | |
| 2,944,694 | 7/1960 | Kinsey . | |
| 3,019,783 | 2/1962 | Clarke . | |
| 3,057,510 | 10/1962 | Blacker . | |
| 3,113,710 | 12/1963 | Meagher | D7/553 X |
| 3,122,265 | 2/1964 | Innis . | |
| 3,251,460 | 5/1966 | Edmonds . | |
| 3,295,737 | 1/1967 | Page . | |
| 3,413,820 | 12/1968 | Paquin . | |
| 3,501,044 | 3/1970 | Stone . | |
| 3,502,241 | 3/1970 | Smith . | |
| 3,532,247 | 10/1970 | Bridges . | |
| 3,572,537 | 3/1971 | Baltzer . | |
| 3,591,768 | 7/1971 | Torres . | |
| 3,608,770 | 9/1971 | Nalmoli . | |
| 3,613,933 | 10/1971 | Pilz . | |
| 3,615,713 | 10/1971 | Stevenson . | |
| 3,647,104 | 3/1972 | Goings . | |
| 3,656,681 | 4/1972 | Goings . | |
| 3,670,916 | 6/1972 | Alpert . | |
| 3,705,222 | 12/1972 | Rogers et al. . | |
| 3,754,640 | 8/1973 | Bridges . | |
| 3,799,143 | 3/1974 | Bridges . | |
| 3,799,386 | 3/1974 | Madalin et al. . | |
| 3,845,875 | 11/1974 | Douglas et al. . | |
| 3,848,766 | 11/1974 | Ganti et al. . | |
| 3,850,333 | 11/1974 | Reichert . | |
| 3,851,754 | 12/1974 | Jones . | |
| 3,877,603 | 4/1975 | Holz . | |

[56] References Cited

U.S. PATENT DOCUMENTS

| | | | |
|------------|---------|-------------------|--------|
| Re. 25,530 | 3/1964 | King . | |
| Re. 30,623 | 5/1981 | Schulz et al. . | |
| Re. 30,962 | 6/1982 | Bridges . | |
| D. 122,589 | 9/1940 | Bastress . | |
| D. 132,425 | 6/1942 | Erickson . | |
| D. 145,764 | 10/1946 | Zelov . | |
| D. 165,640 | 1/1952 | Dyer et al. . | |
| D. 171,065 | 12/1953 | Towns . | |
| D. 196,854 | 11/1963 | Nicholson . | |
| D. 201,899 | 8/1965 | Hancock . | |
| D. 204,011 | 3/1966 | Ward . | |
| D. 204,071 | 3/1966 | Earl . | |
| D. 205,676 | 9/1966 | Kirwan . | |
| D. 206,761 | 1/1967 | Kirwan | D7/553 |
| D. 208,717 | 9/1967 | Parish . | |
| D. 213,631 | 3/1969 | Scott . | |
| D. 214,459 | 6/1969 | Stageberg . | |
| D. 214,523 | 6/1969 | Stone . | |
| D. 225,555 | 12/1972 | Cyr . | |
| D. 226,817 | 5/1973 | Madalin . | |
| D. 235,301 | 6/1975 | Mountain et al. . | |
| D. 240,493 | 7/1976 | Musser . | |
| D. 244,742 | 6/1977 | Daenen . | |
| D. 246,945 | 1/1978 | Shore . | |
| D. 249,774 | 10/1978 | Seager . | |
| D. 250,315 | 11/1978 | Otto . | |
| D. 254,599 | 4/1980 | Otto . | |
| D. 255,310 | 6/1980 | Spencer | D7/553 |
| D. 255,527 | 6/1980 | Seager . | |
| D. 256,872 | 9/1980 | Otto . | |



| | | | |
|-----------|---------|----------------------|--|
| 3,880,485 | 4/1975 | Schmelzer . | |
| 3,883,029 | 5/1975 | Wyatt . | |
| 3,886,346 | 5/1975 | Meyers . | |
| 3,908,749 | 9/1975 | Williams . | |
| 3,924,100 | 12/1975 | Mack . | |
| 3,938,688 | 2/1976 | Ryan . | |
| 3,949,876 | 4/1976 | Bridges et al. . | |
| 3,952,794 | 4/1976 | Spanoudis . | |
| 3,965,969 | 6/1976 | Williamson . | |
| 3,974,358 | 8/1976 | Goltsos . | |
| 3,982,584 | 9/1976 | Spanoudis . | |
| 4,005,745 | 2/1977 | Colato et al. . | |
| 4,019,022 | 4/1977 | Seider et al. . | |
| 4,020,310 | 4/1977 | Souder, Jr. et al. . | |
| 4,041,277 | 8/1977 | Shumrak et al. . | |
| 4,052,589 | 10/1977 | Wyatt . | |
| 4,052,598 | 10/1977 | Wyatt . | |
| 4,068,115 | 1/1978 | Mack et al. . | |
| 4,087,142 | 5/1978 | Aumack . | |
| 4,093,041 | 6/1978 | Davis et al. . | |
| 4,103,736 | 8/1978 | Colato et al. . | |
| 4,110,587 | 8/1978 | Souder, Jr. et al. . | |
| 4,126,774 | 11/1978 | Wyatt . | |
| 4,167,983 | 9/1979 | Seider et al. . | |
| 4,180,125 | 12/1979 | Schulz et al. . | |
| 4,194,109 | 3/1980 | Springer . | |
| 4,203,486 | 5/1980 | Rubbright et al. . | |
| 4,217,476 | 8/1980 | Bellavoine . | |
| 4,219,144 | 8/1980 | Hagelberg . | |
| 4,232,789 | 11/1980 | Springer . | |
| 4,235,282 | 11/1980 | de Filippis et al. . | |
| 4,254,824 | 3/1981 | Springer . | |
| 4,285,391 | 8/1981 | Bourner . | |
| 4,323,100 | 4/1982 | Rubbright et al. . | |
| 4,323,110 | 4/1982 | Rubbright et al. . | |
| 4,346,756 | 8/1982 | Dodd et al. . | |
| 4,378,005 | 3/1983 | Otto . | |
| 4,399,667 | 8/1983 | Lamb . | |
| 4,440,303 | 4/1984 | Seager . | |
| 4,494,654 | 1/1985 | Gunther et al. . | |
| 4,533,061 | 8/1985 | Herbst . | |
| 4,545,487 | 10/1985 | Asmus . | |
| 4,560,859 | 12/1985 | Brennen . | |
| 4,584,466 | 4/1985 | de Mola . | |
| 4,619,363 | 10/1986 | Wolfseder . | |
| 4,776,386 | 10/1988 | Meier . | |
| 4,838,444 | 6/1989 | Bitel . | |
| 4,964,514 | 10/1990 | Wycech 206/564 | |
| 4,991,713 | 2/1991 | Phillips . | |
| 4,992,636 | 2/1991 | Namiki et al. . | |
| 5,016,756 | 5/1991 | Wischhusen et al. . | |

FOREIGN PATENT DOCUMENTS

| | | |
|---------|---------|------------------------|
| 081607 | 12/1981 | European Pat. Off. . |
| 167666 | 11/1984 | European Pat. Off. . |
| 310698 | 10/1987 | European Pat. Off. . |
| 362904 | 11/1922 | Fed. Rep. of Germany . |
| 2524708 | 6/1975 | Fed. Rep. of Germany . |
| 2459765 | 6/1929 | France . |
| 1219352 | 12/1959 | France . |
| 2363309 | 8/1976 | France . |
| 2448885 | 2/1980 | France . |
| 6606963 | 5/1966 | Netherlands . |
| 628036 | 11/1976 | U.S.S.R. . |
| 1103185 | 2/1968 | United Kingdom . |

OTHER PUBLICATIONS

Aladdin 1987 Brochure entitled "Aladdin Advanced Meal Systems".
 Therma Chill Food Production Systems Brochure entitled "Perfect Temp-Quality Meals at Lower Operating Costs".
 Aladdin Advanced Meal Systems Rethermalization Brochure (Oct. 1988).
 Aladdin Advanced Meal Systems brochure entitled "Temp-Rite II Excel Rethermalization Cart" (Nov., 1989).
 Aladdin Advanced Meal Systems brochure entitled "Temp-Rite II Excel" (Nov., 1989).

Primary Examiner—Alan P. Douglas
Assistant Examiner—M. N. Pandozzi
Attorney, Agent, or Firm—Banner, Birch, McKie & Beckett

[57] **CLAIM**

The ornamental design for a food serving tray, as shown.

DESCRIPTION

FIG. 1 is a top perspective view of a food serving tray showing my new design;
 FIG. 2 is a top plan view thereof;
 FIG. 3 is a bottom plan view thereof;
 FIG. 4 is a front elevational view thereof;
 FIG. 5 is a rear elevational view thereof;
 FIG. 6 is a left side elevational view thereof;
 FIG. 7 is a right side elevational view thereof;

FIG. 8 is a top perspective view of a food serving tray showing a second embodiment of my new design;
FIG. 9 is a top plan view thereof;
FIG. 10 is a bottom plan view thereof;
FIG. 11 is a front elevational view thereof;
FIG. 12 is a rear elevational view thereof;
FIG. 13 is a left side elevational view thereof;
FIG. 14 is a right side elevational view thereof;
FIG. 15 is a top perspective view of a food serving tray showing a third embodiment of my new design;
FIG. 16 is a top plan view thereof;
FIG. 17 is a bottom plan view thereof;

FIG. 18 is a front elevational view thereof;
FIG. 19 is a rear elevational view thereof;
FIG. 20 is a left side elevational view thereof;
FIG. 21 is a right side elevational view thereof;
FIG. 22 is a top perspective view of a food serving tray showing a fourth embodiment of my new design;
FIG. 23 is a top plan view thereof;
FIG. 24 is a bottom plan view thereof;
FIG. 25 is a front elevational view thereof;
FIG. 26 is a rear elevational view thereof;
FIG. 27 is a left side elevational view thereof; and,
FIG. 28 is a right side elevational view thereof.

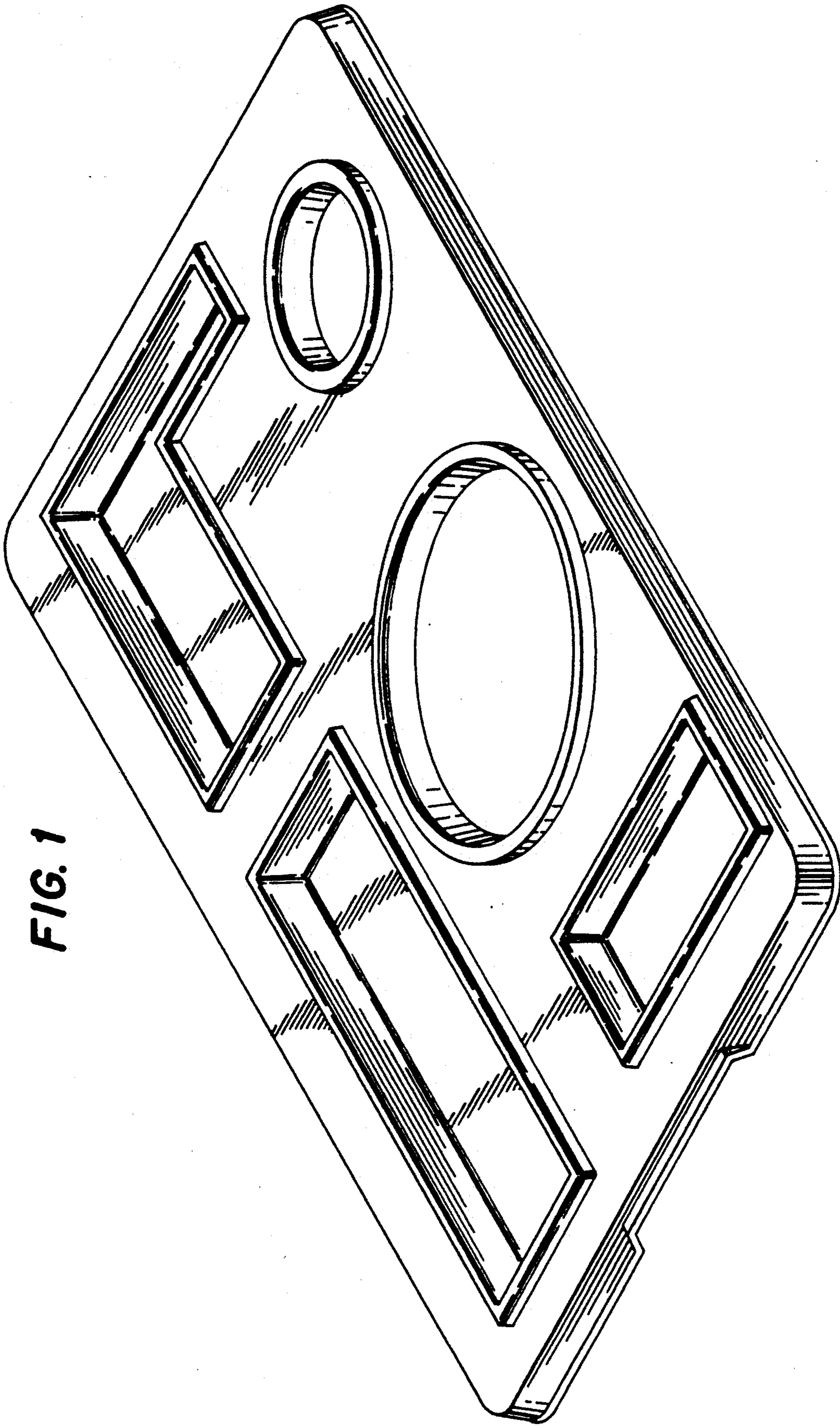


FIG. 1

FIG. 2

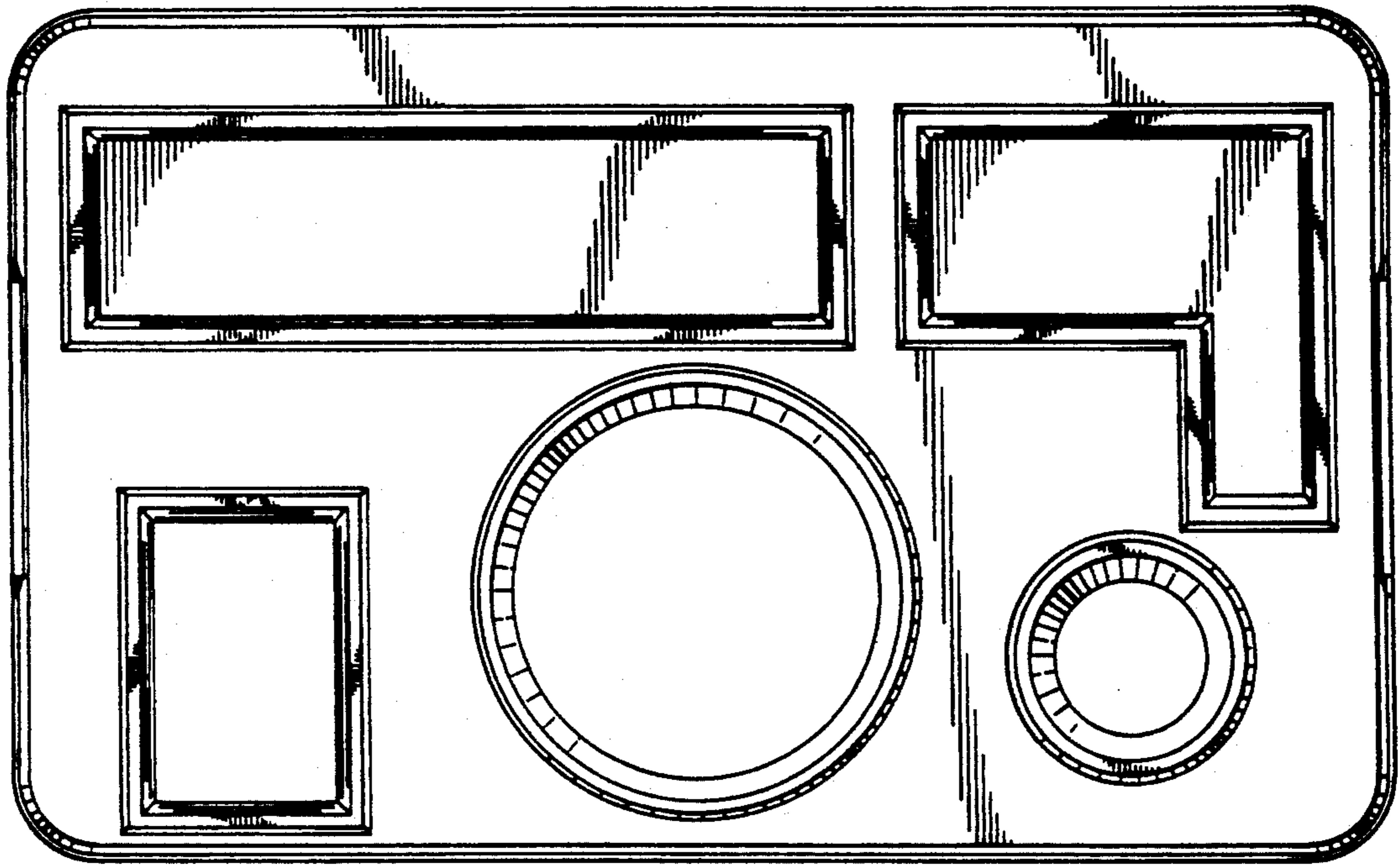


FIG. 3

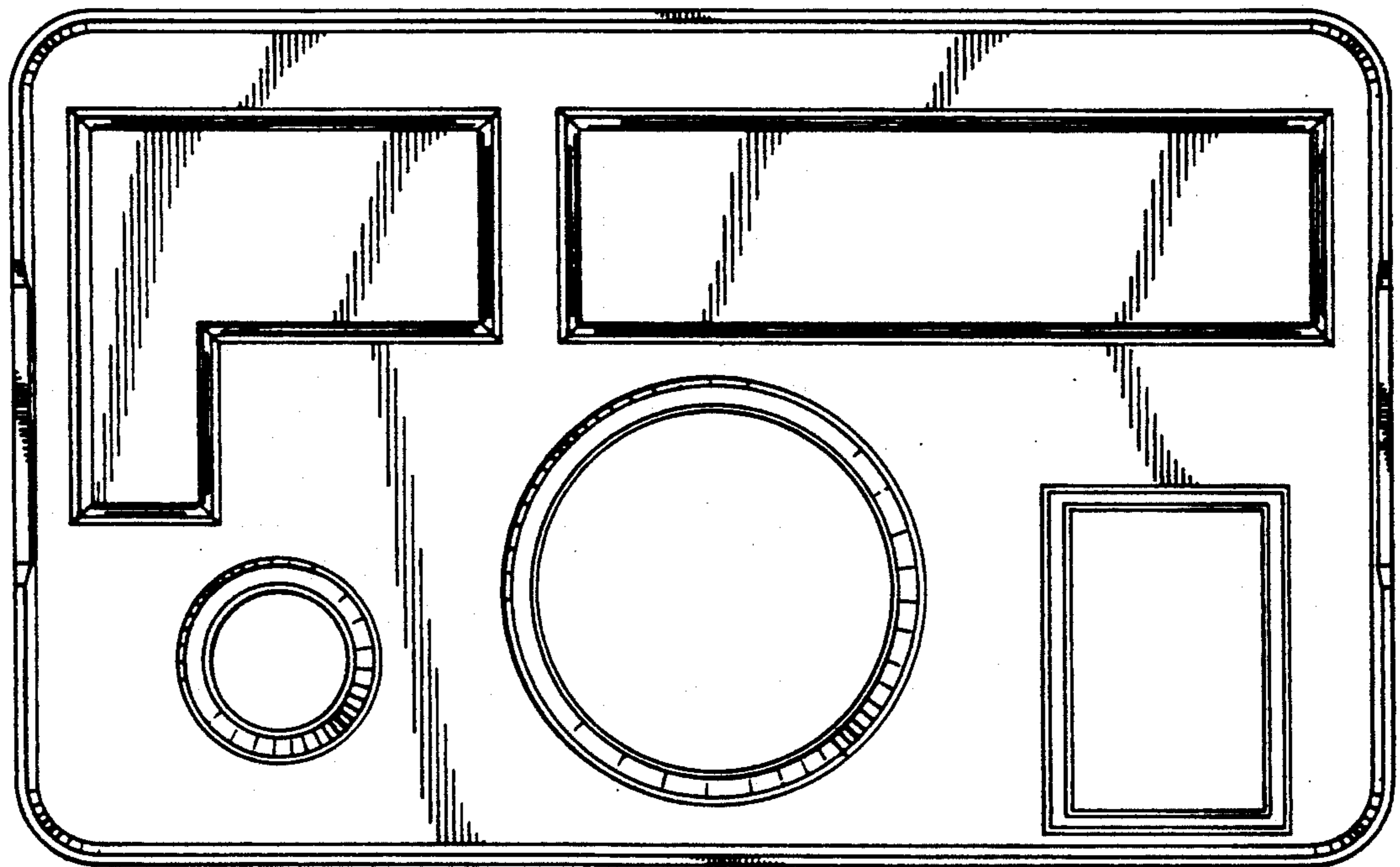


FIG. 4

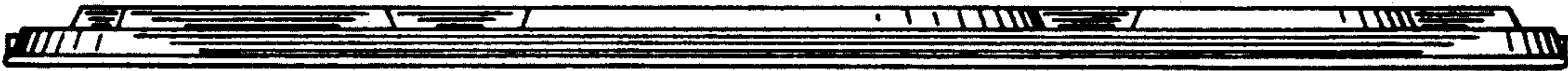


FIG. 5



FIG. 6



FIG. 7



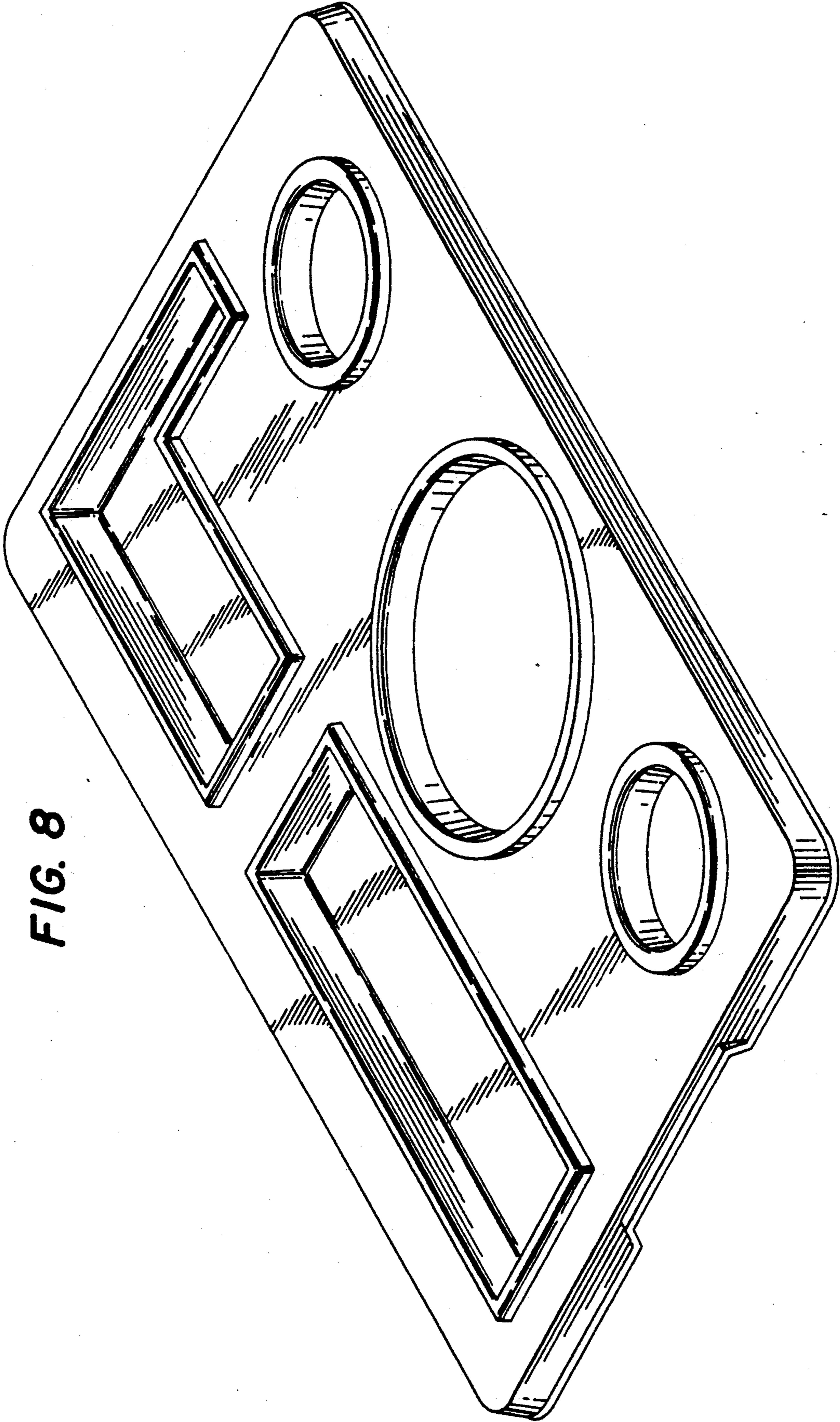


FIG. 8

FIG. 9

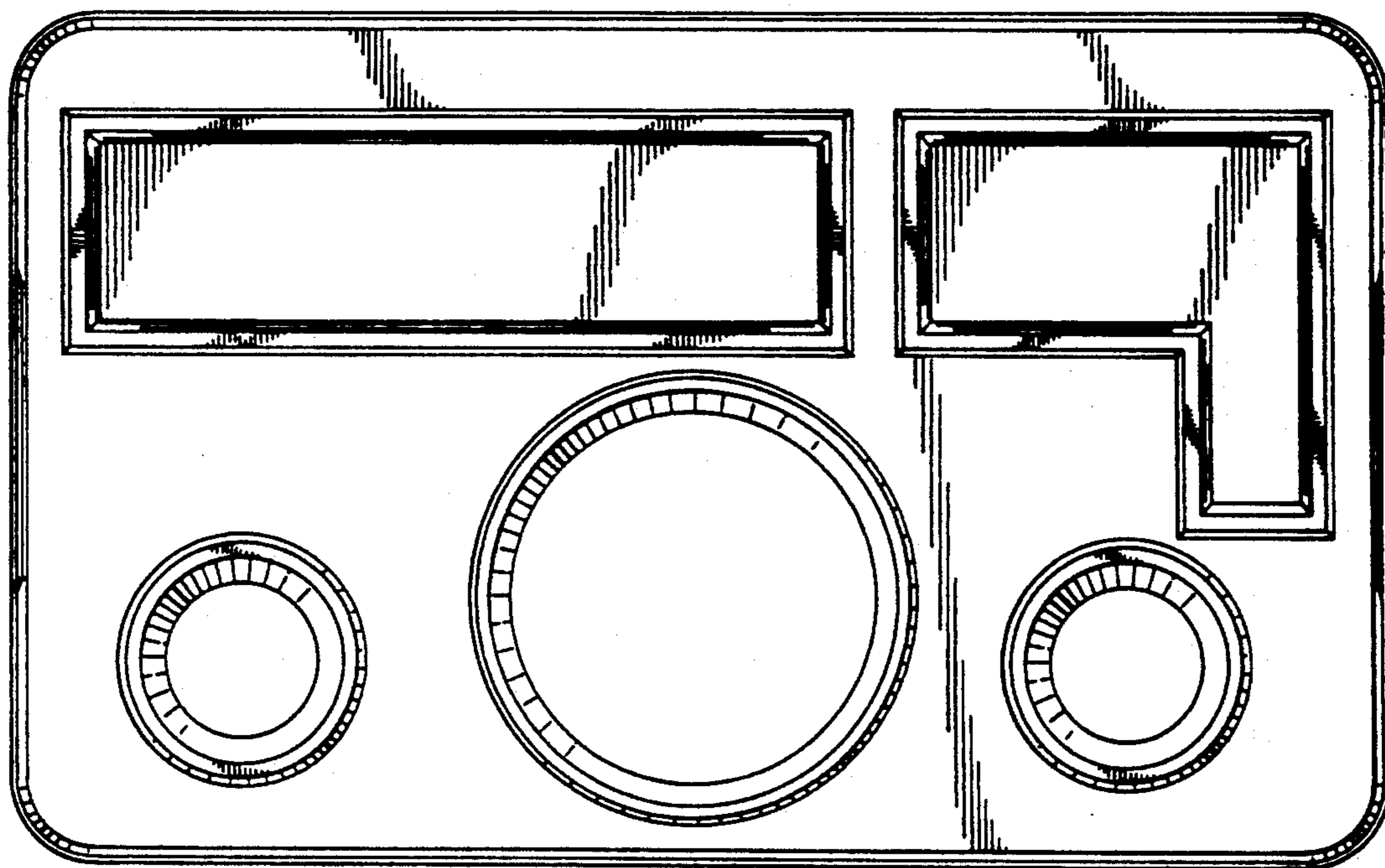


FIG. 10

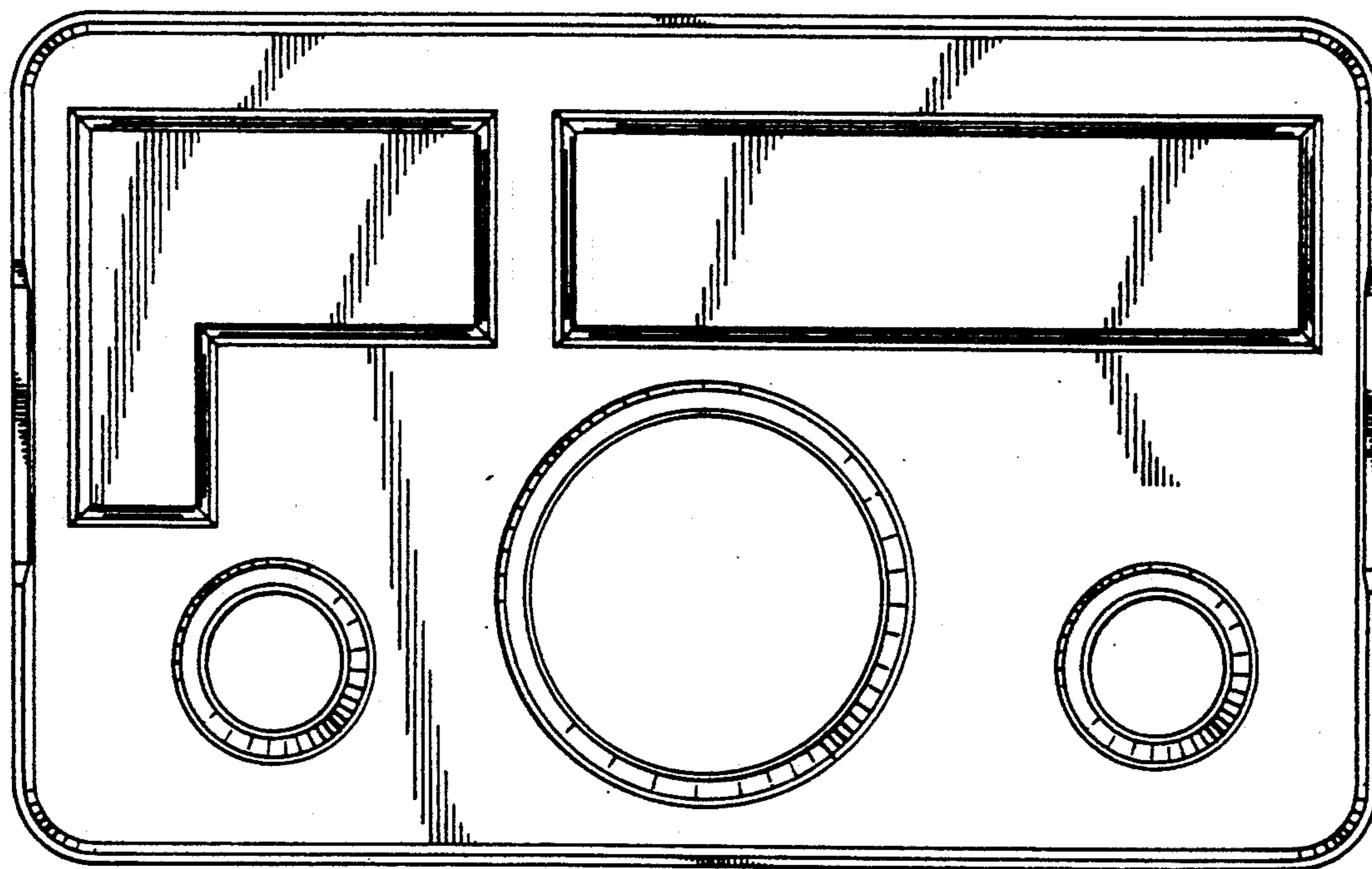


FIG. 11

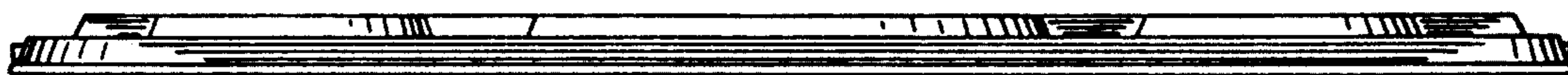


FIG. 12



FIG. 13



FIG. 14



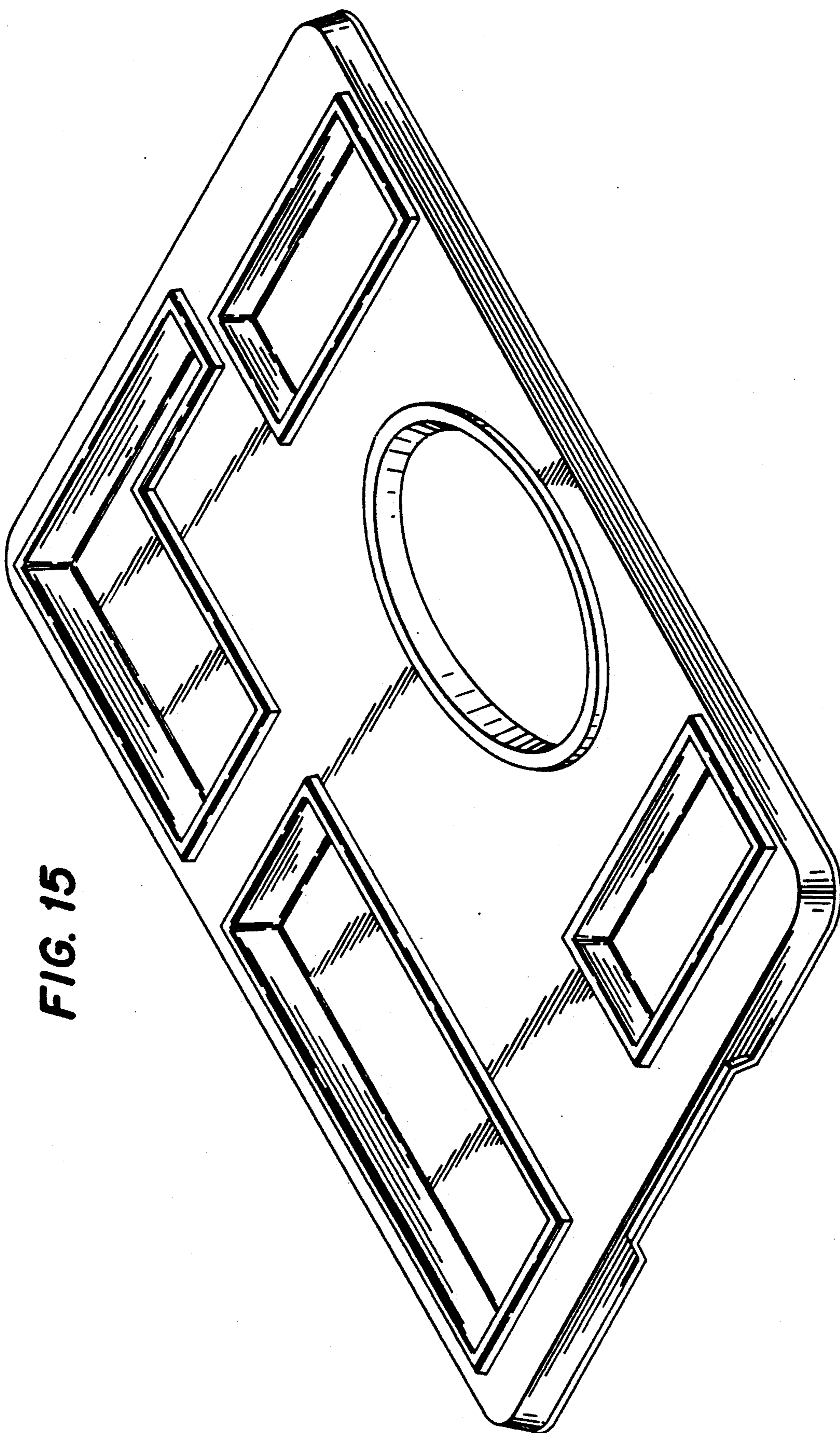


FIG. 15

FIG. 16

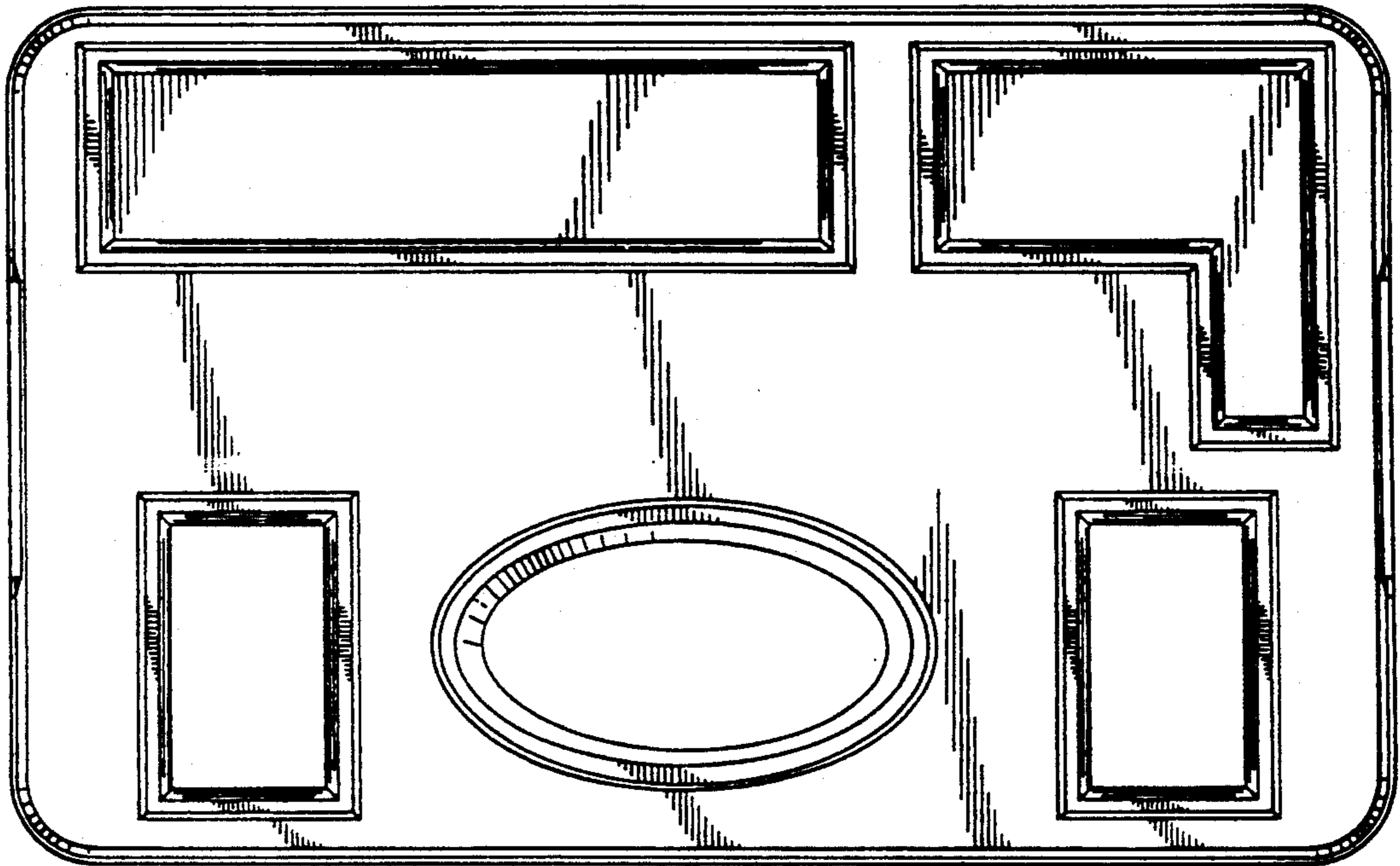


FIG. 17

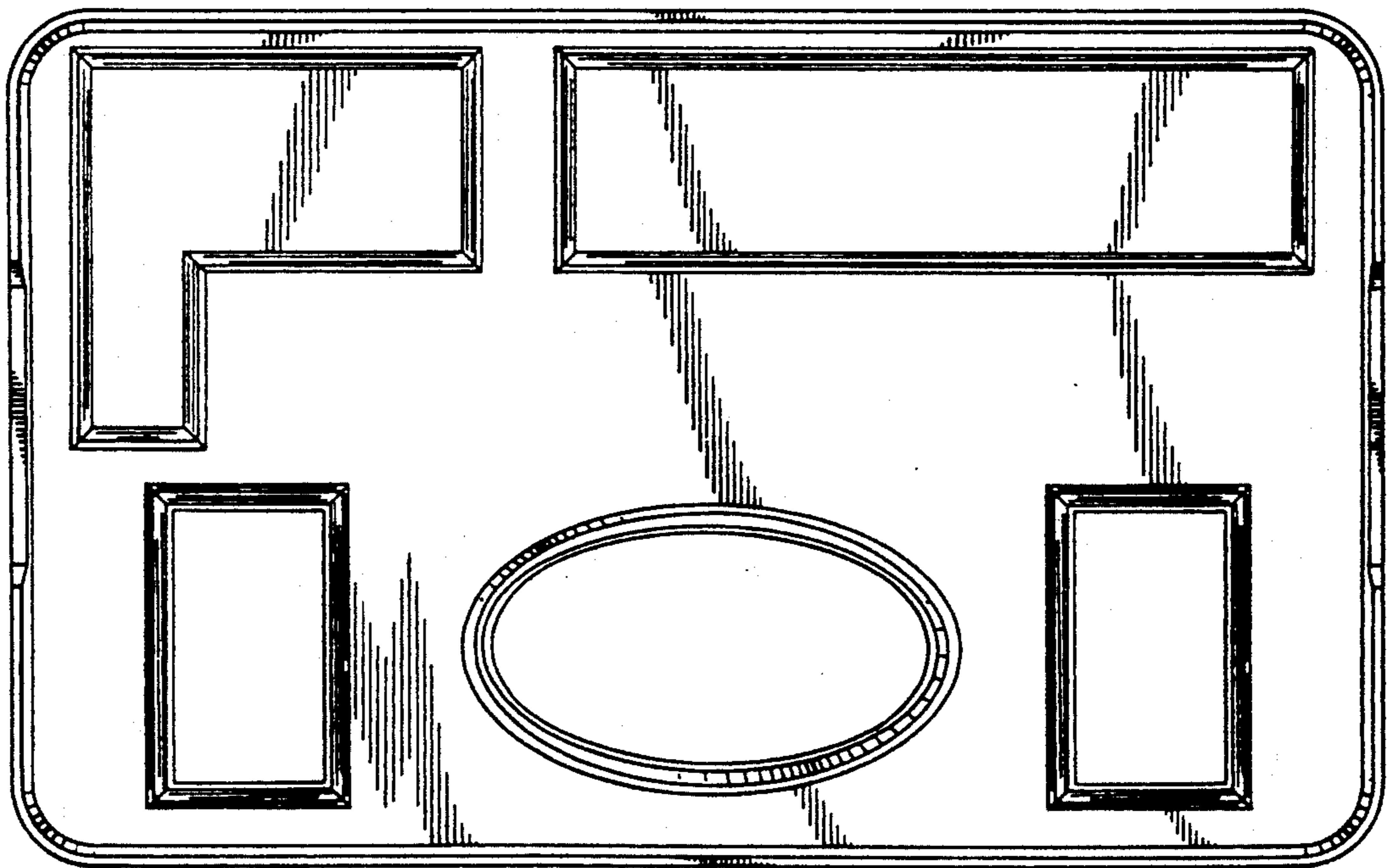


FIG. 18

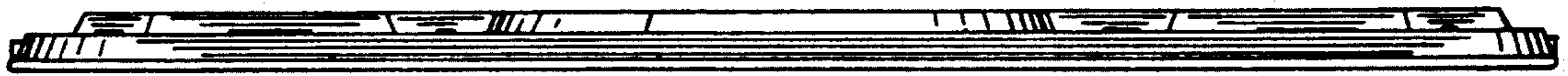


FIG. 19



FIG. 20



FIG. 21



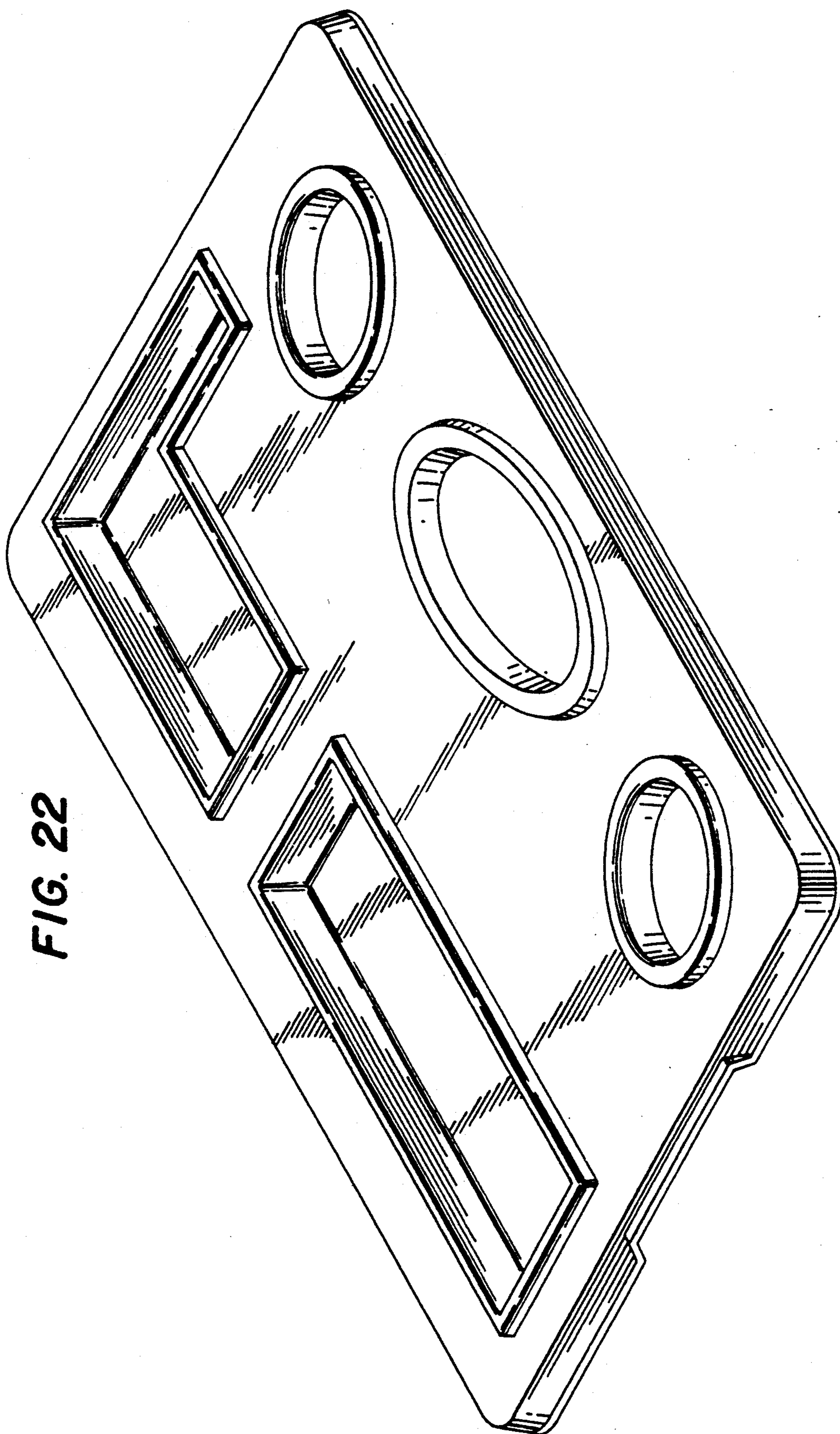


FIG. 22

FIG. 23

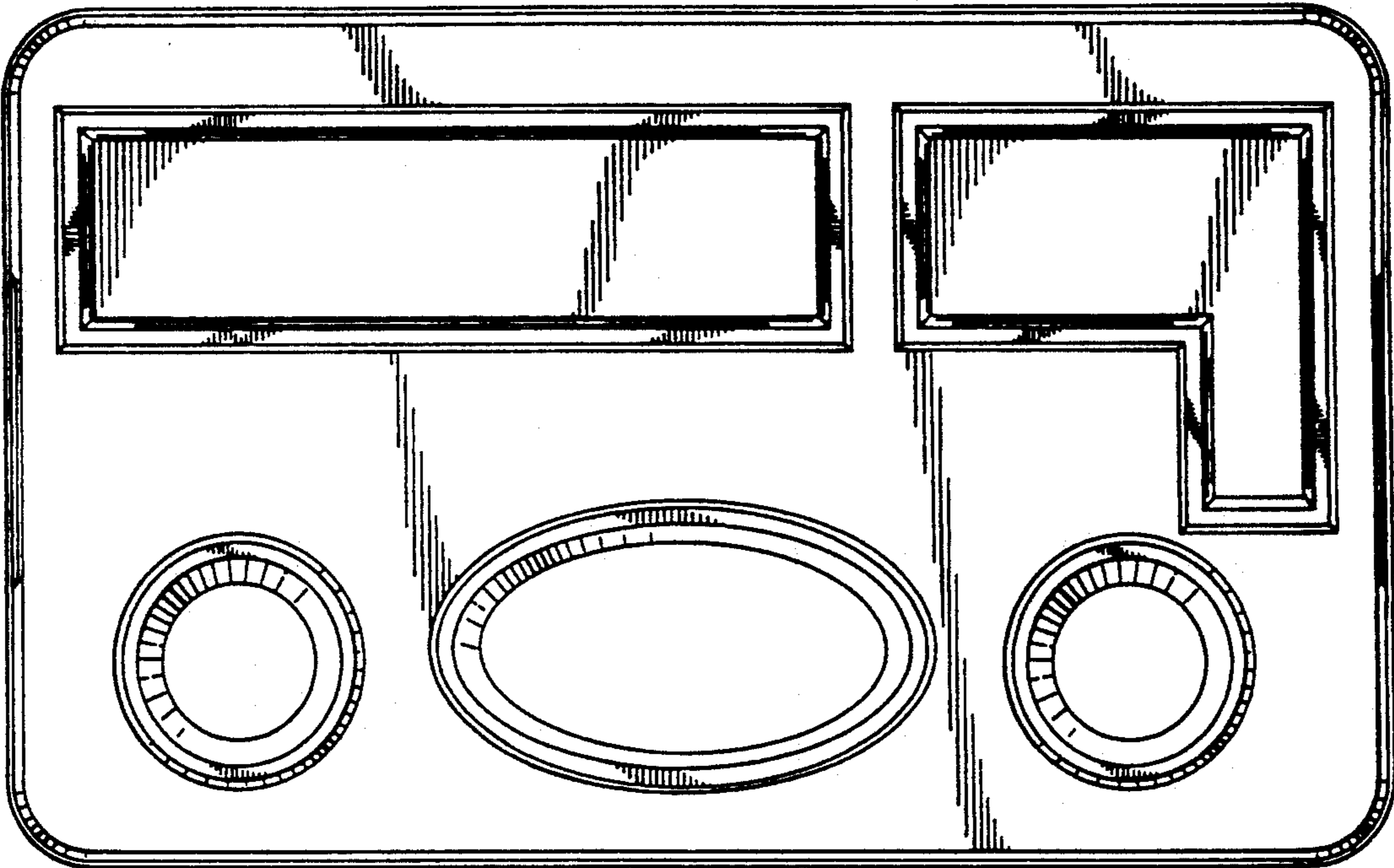


FIG. 24

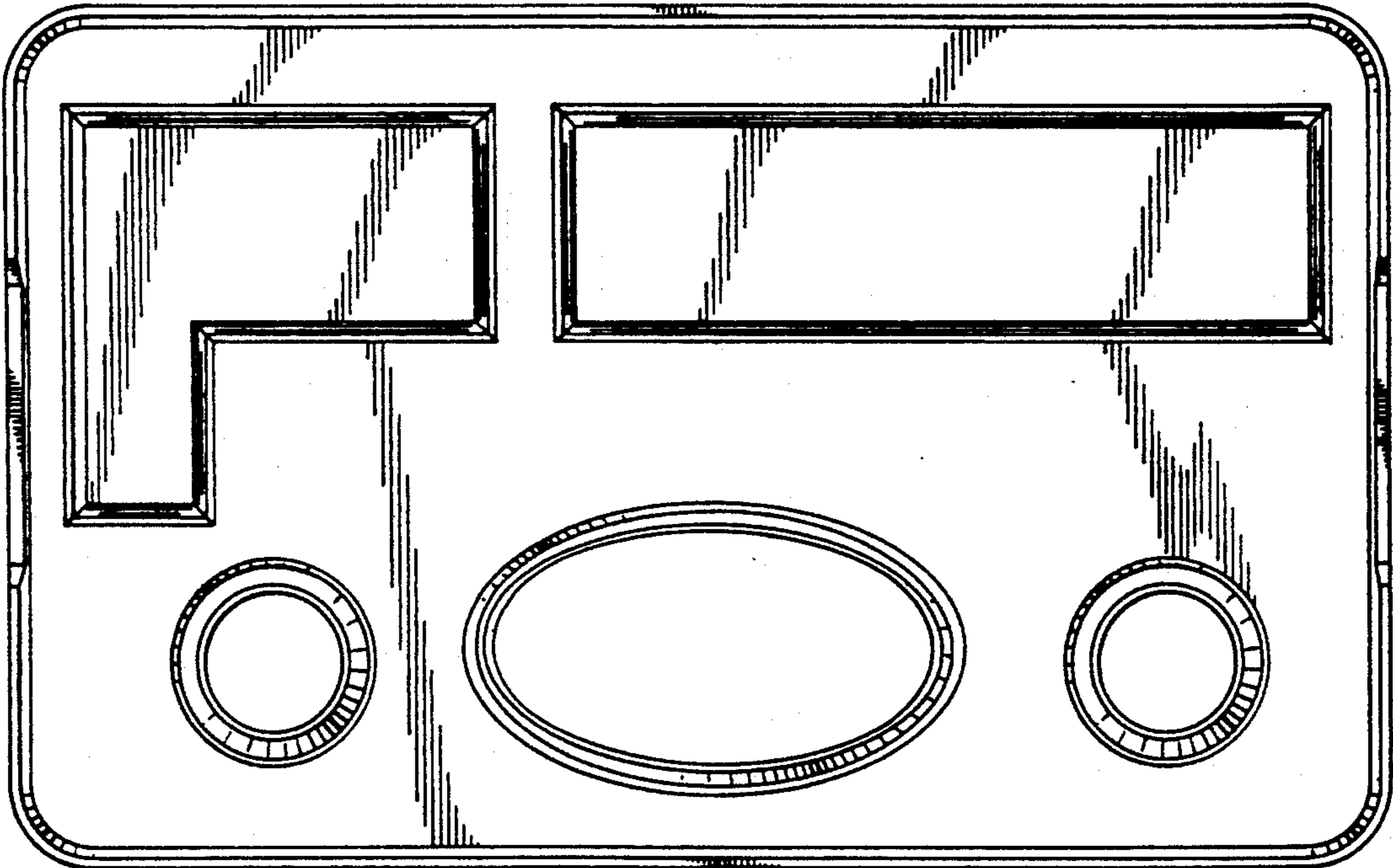


FIG. 25

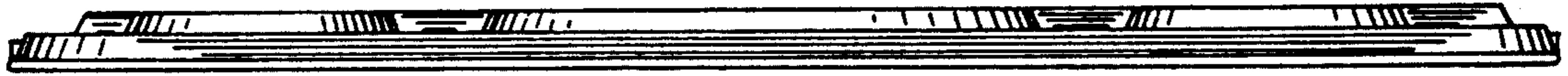


FIG. 26



FIG. 27



FIG. 28

