



US00D335794S

United States Patent [19]

[11] Patent Number: **Des. 335,794**

Bonano

[45] Date of Patent: **** May 25, 1993**

[54] **AUTOMATIC EGG SCRAMBLER**

4,522,117 6/1985 Weimer .
4,656,928 4/1987 Mack .

[76] Inventor: **Luis Bonano**, 480 E. 139th St., Apt. F, Bronx, N.Y. 10454

Primary Examiner—Alan P. Douglas
Assistant Examiner—Caron D. Veynar
Attorney, Agent, or Firm—Terry M. Gernstein

[**] Term: **14 Years**

[21] Appl. No.: **578,849**

[57] **CLAIM**

[22] Filed: **Sep. 6, 1990**

The ornamental design for an automatic egg scrambler, as shown and described.

[52] U.S. Cl. **D7/357; D7/354**

[58] Field of Search **D7/352, 354, 357, 358, D7/360; 99/334, 325, 336**

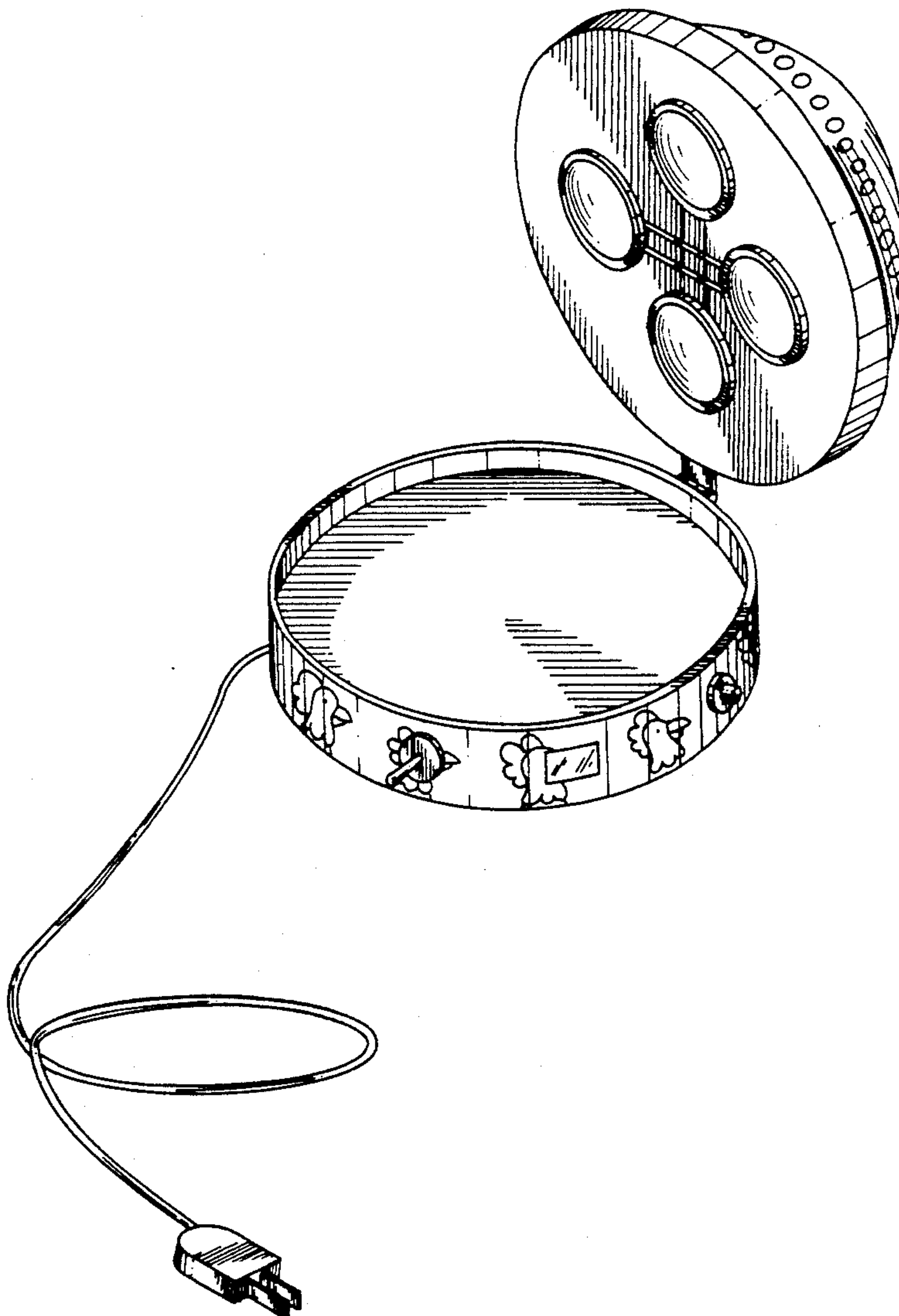
DESCRIPTION

[56] **References Cited**

U.S. PATENT DOCUMENTS

D. 280,062	8/1985	Cesaroni	D7/360	X
D. 280,174	8/1985	Cesaroni	D7/360	X
D. 299,903	2/1989	Grützke	D7/360	X
D. 317,548	6/1991	Yeh	D7/354	X
4,488,479	12/1984	Sloan		

FIG. 1 is a perspective view of an automatic egg scrambler showing my new design; FIG. 2 is a front elevational view thereof; FIG. 3 is a rear elevational view thereof; FIG. 4 is a right side elevational view thereof; FIG. 5 is a left side elevational view thereof; and, FIG. 6 is a top plan view thereof, the bottom being flat, plain and unornamented. The cord is deleted from FIGS. 2-6 for ease of illustration.



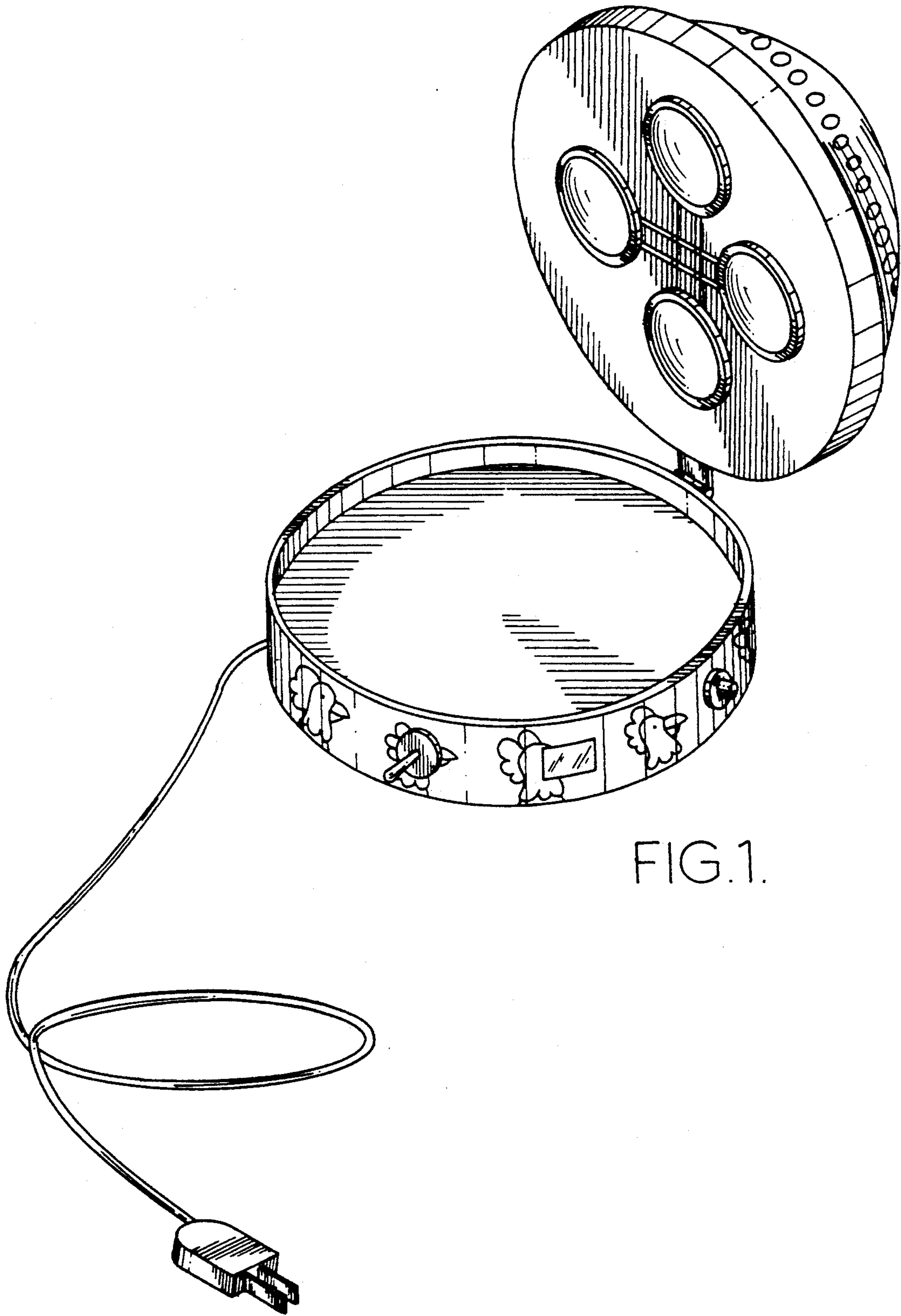


FIG.1.

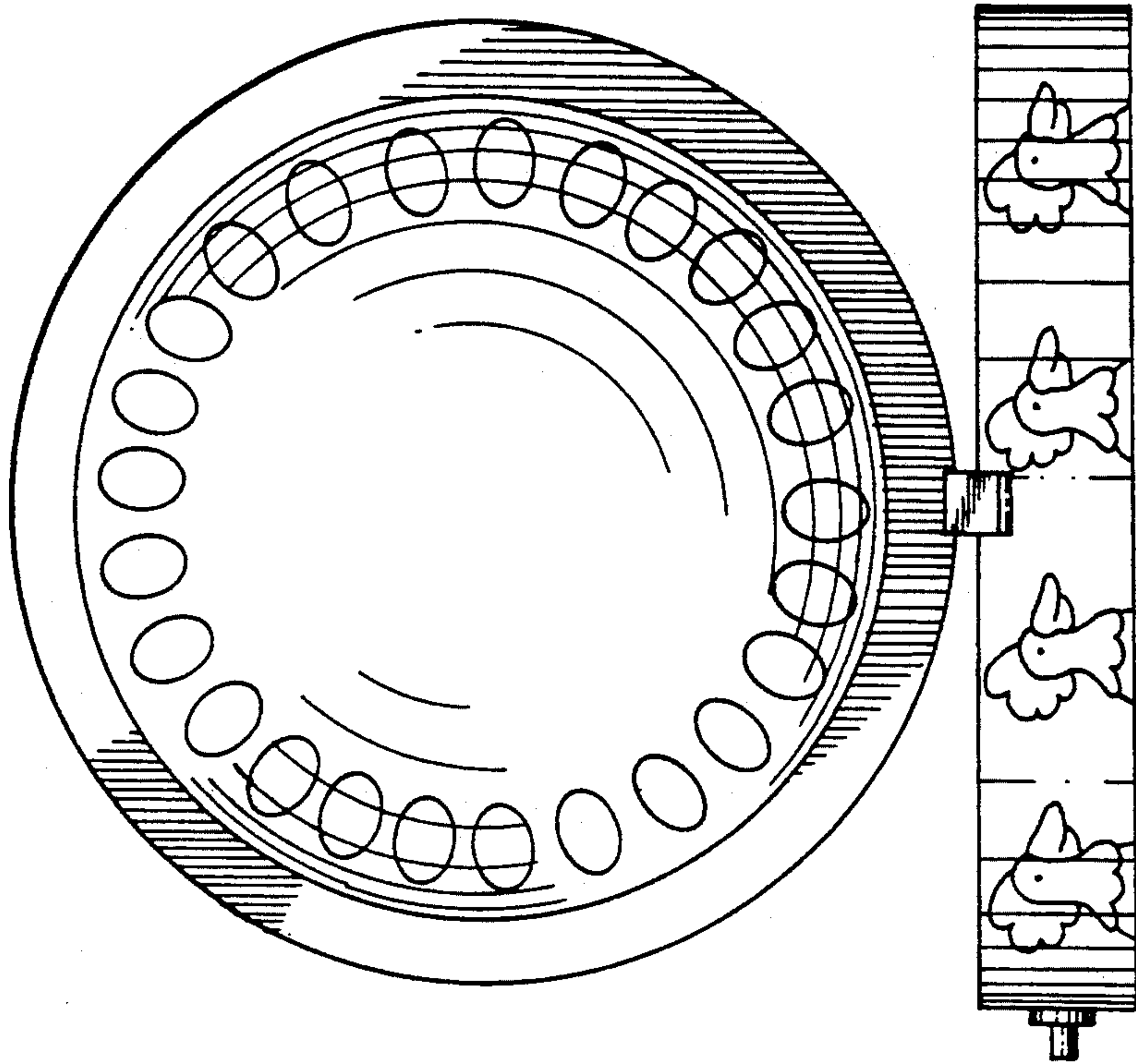


FIG. 2.

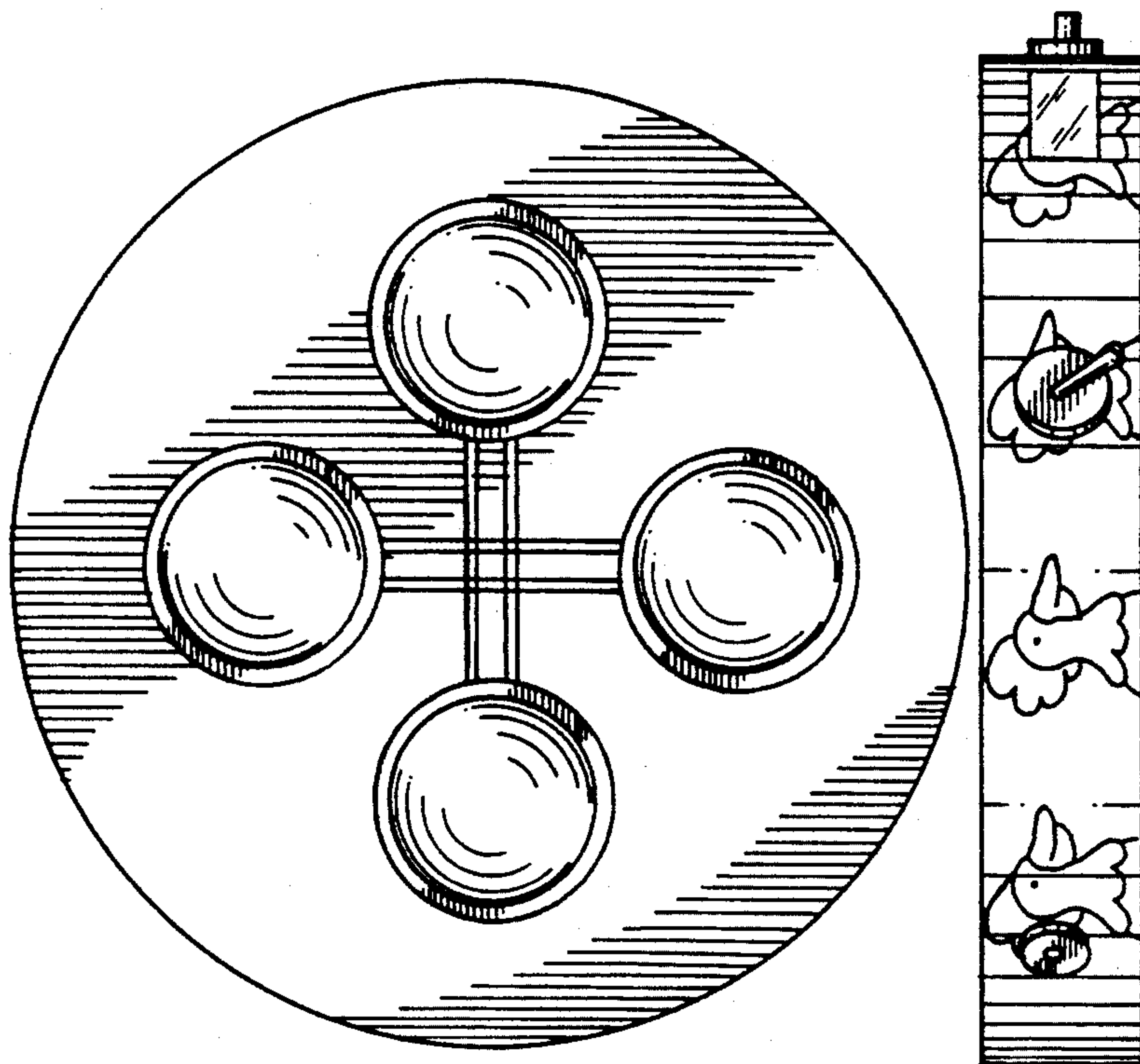


FIG. 3.

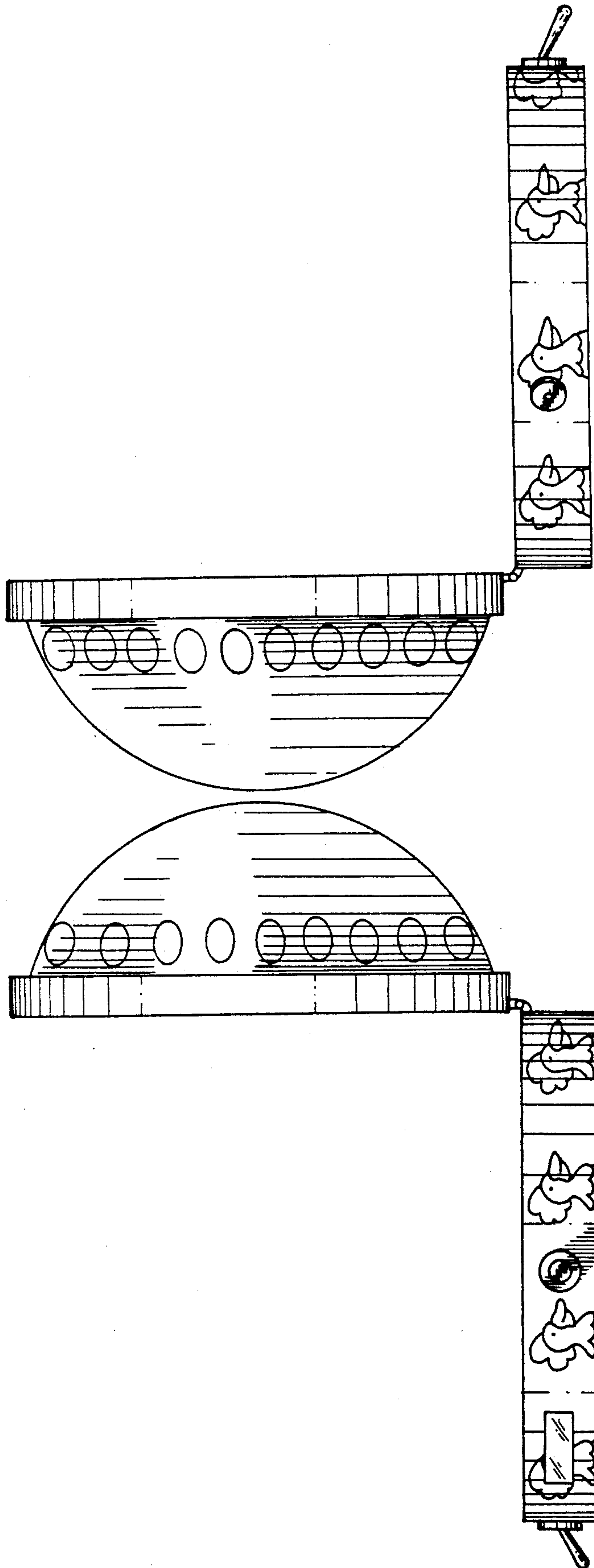


FIG. 5.

FIG. 4.

FIG. 6.

