



US00D335793S

United States Patent [19]

[11] Patent Number: **Des. 335,793**

Fonville et al.

[45] Date of Patent: **** May 25, 1993**

- [54] **PLASTIC COFFEE POT**
- [75] Inventors: **Frederick S. Fonville, Stephens City; Chester M. Kos, Cross Junction, both of Va.**
- [73] Assignee: **Rubbermaid Commercial Products Inc., Winchester, Va.**
- [**] Term: **14 Years**
- [21] Appl. No.: **672,587**
- [22] Filed: **Mar. 19, 1991**
- [52] U.S. Cl. **D7/318; D7/316**
- [58] Field of Search **D7/300, 300.1, 301, D7/302, 303, 316, 317, 318, 319, 320, 321, 322, 619, 622, 312, 620; 222/470, 471, 475.1, 472, 473; 99/295, 306, 316, 279; 220/755, 758, 254, 759, 278**

4,158,464	6/1979	Bowen et al.	294/31.2
4,164,644	8/1979	Remsnyder et al.	219/433
4,603,621	8/1986	Roberts	99/307
4,629,866	12/1986	Proctor	219/439
4,676,148	6/1987	Foley	99/279
4,715,269	12/1987	Stoner	99/279
4,750,644	6/1988	Kolody et al.	222/144
4,798,937	1/1989	Guerrero	219/433
4,825,757	5/1989	Stoner	99/279
4,858,787	8/1989	Stone	D7/317 X
4,860,906	8/1989	Pellegrini et al.	215/12.2

Primary Examiner—Alan P. Douglas
Assistant Examiner—M. N. Pandozzi
Attorney, Agent, or Firm—Renner, Kenner, Greive, Bobak, Taylor & Weber

[57] CLAIM

The ornamental design for a plastic coffee pot, as shown and described.

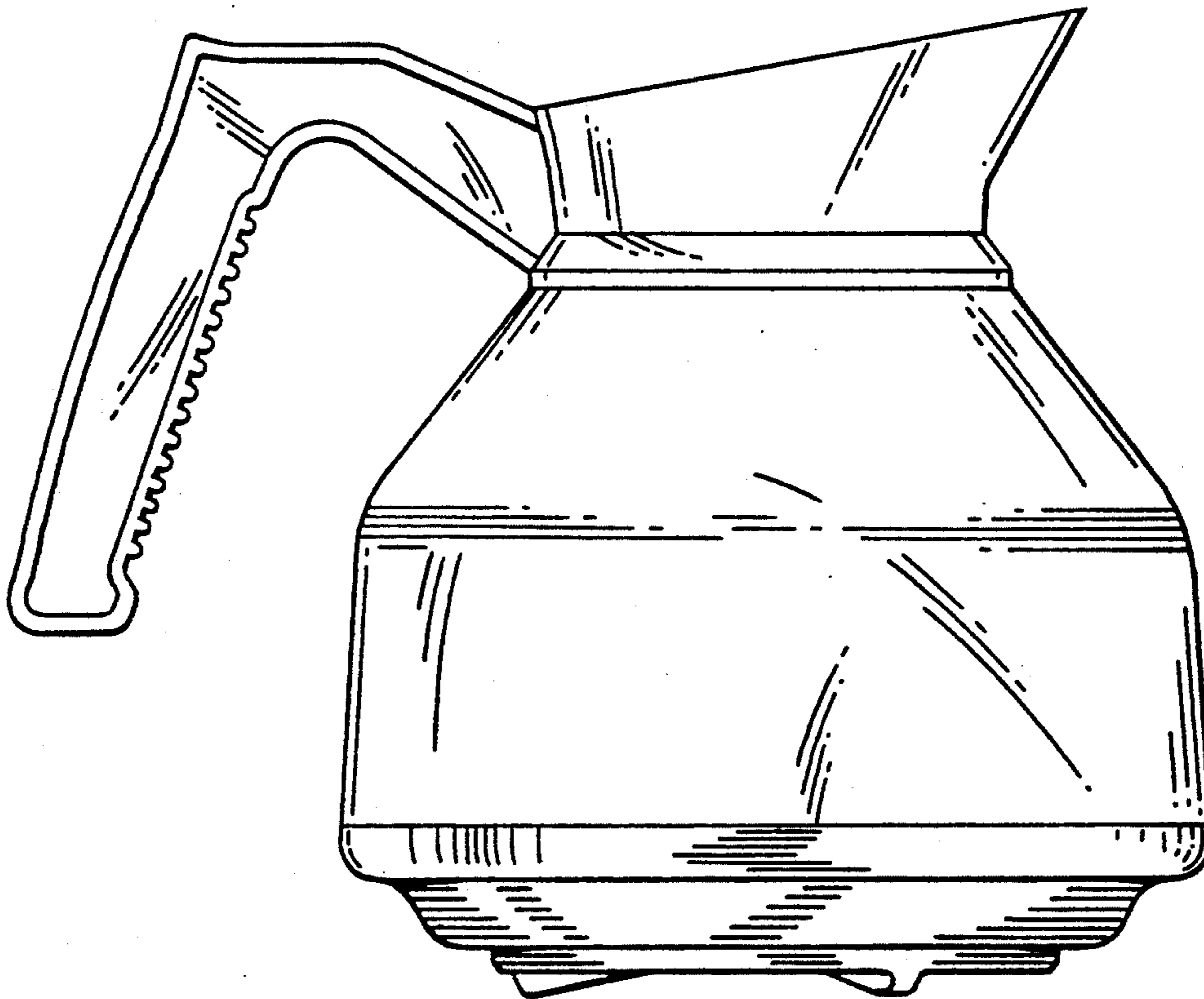
DESCRIPTION

FIG. 1 is a perspective view of a plastic coffee pot embodying our new design;
 FIG. 2 is an elevational view thereof showing the side opposite that seen in FIG. 1;
 FIG. 3 is an elevational view thereof looking directly at the handle;
 FIG. 4 is an elevational view thereof looking from the opposite side of FIG. 3;
 FIG. 5 is a top plan view thereof; and,
 FIG. 6 is a bottom plan view thereof.

[56] References Cited

U.S. PATENT DOCUMENTS

D. 192,528	4/1962	Wright	D7/317
D. 259,613	6/1981	Sun	D7/318
D. 271,074	10/1983	Richardson	D7/318
D. 308,458	6/1990	Stützer	D7/317
D. 315,452	3/1991	Bunn et al.	D7/318
2,626,342	1/1953	Miller	99/306 X
3,105,914	10/1963	Kimber, Jr.	D7/318 X
4,099,453	7/1978	Kaplan	99/306
4,112,831	9/1978	Scott	99/306



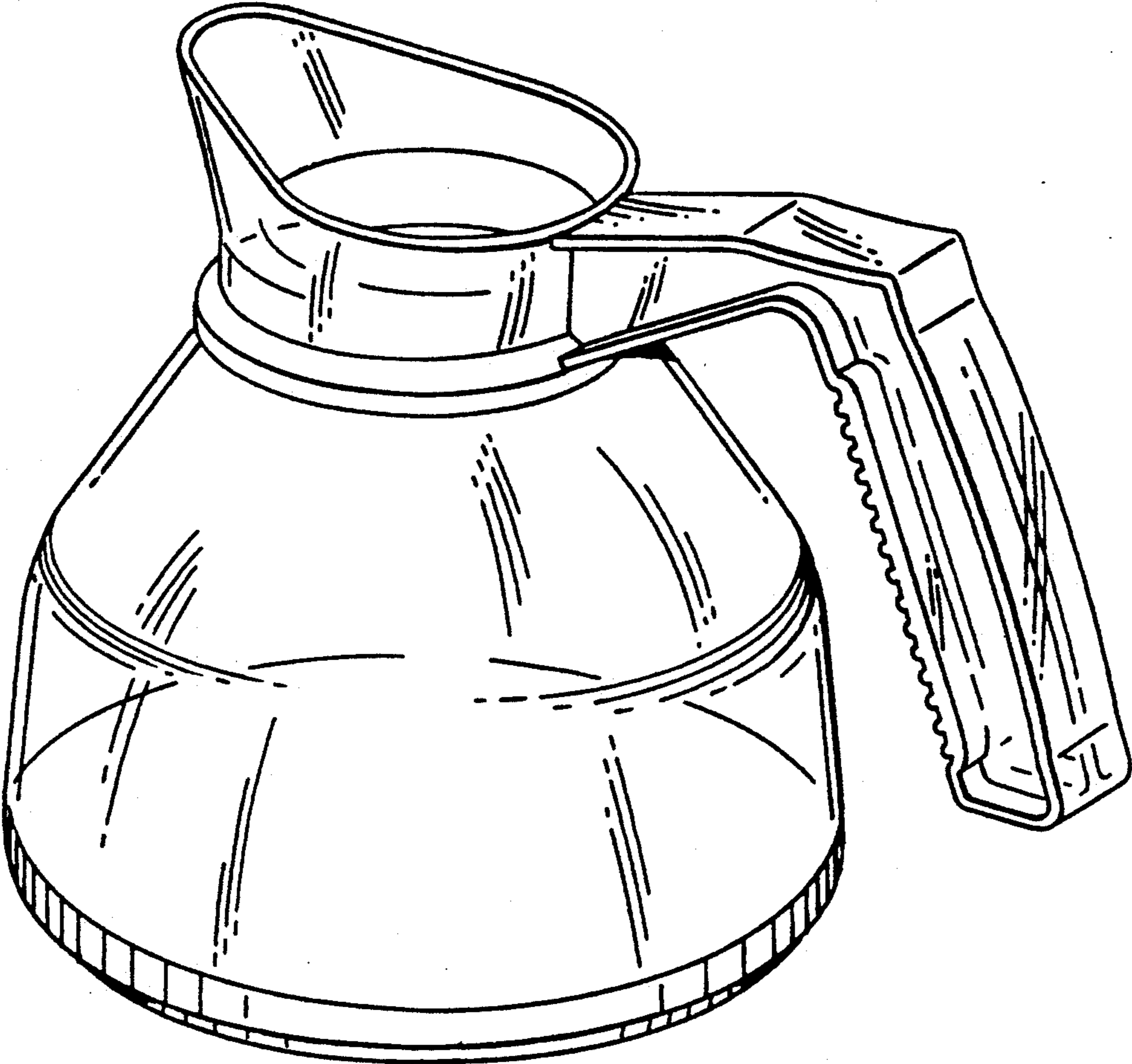


FIG. 1

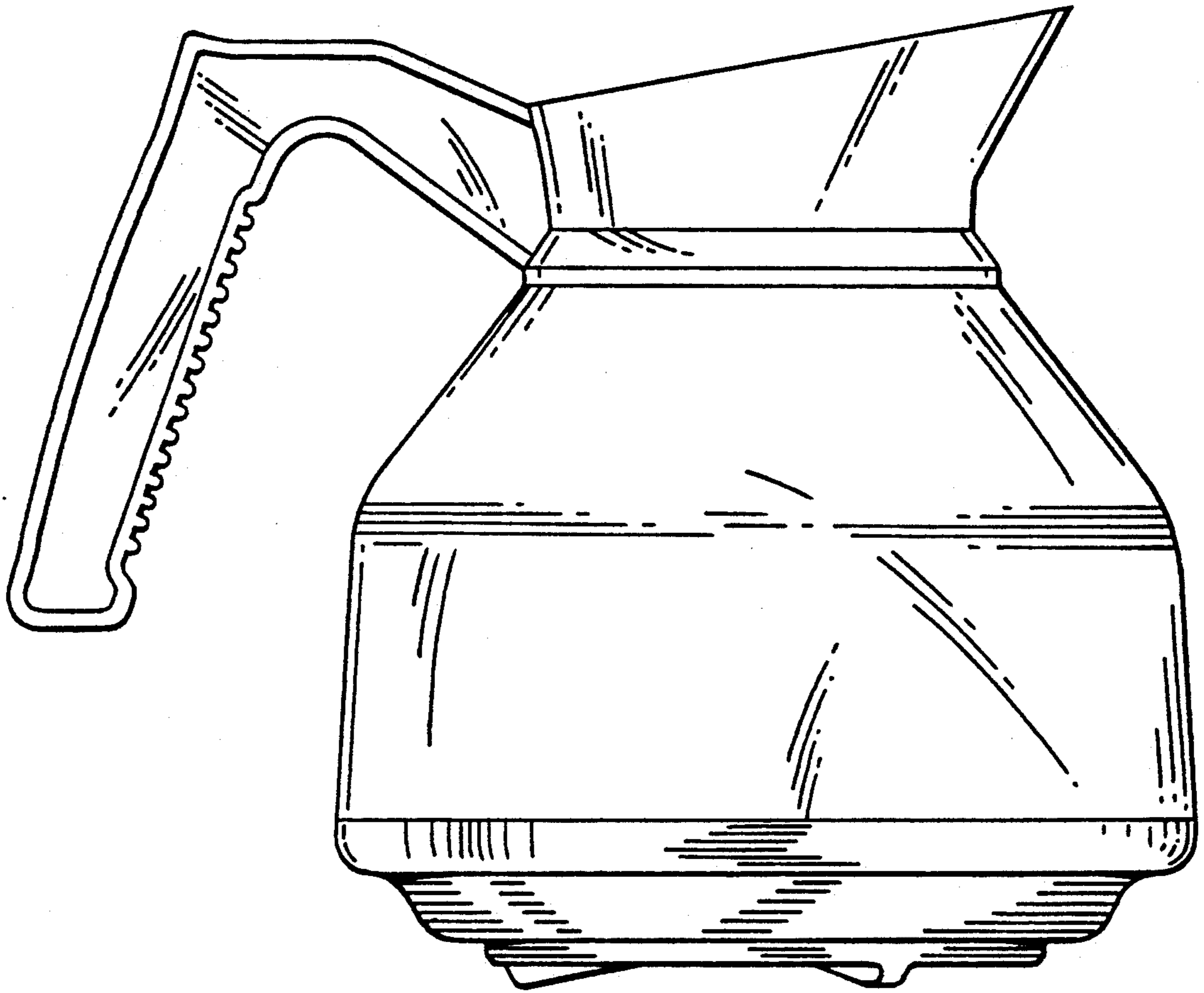


FIG. 2

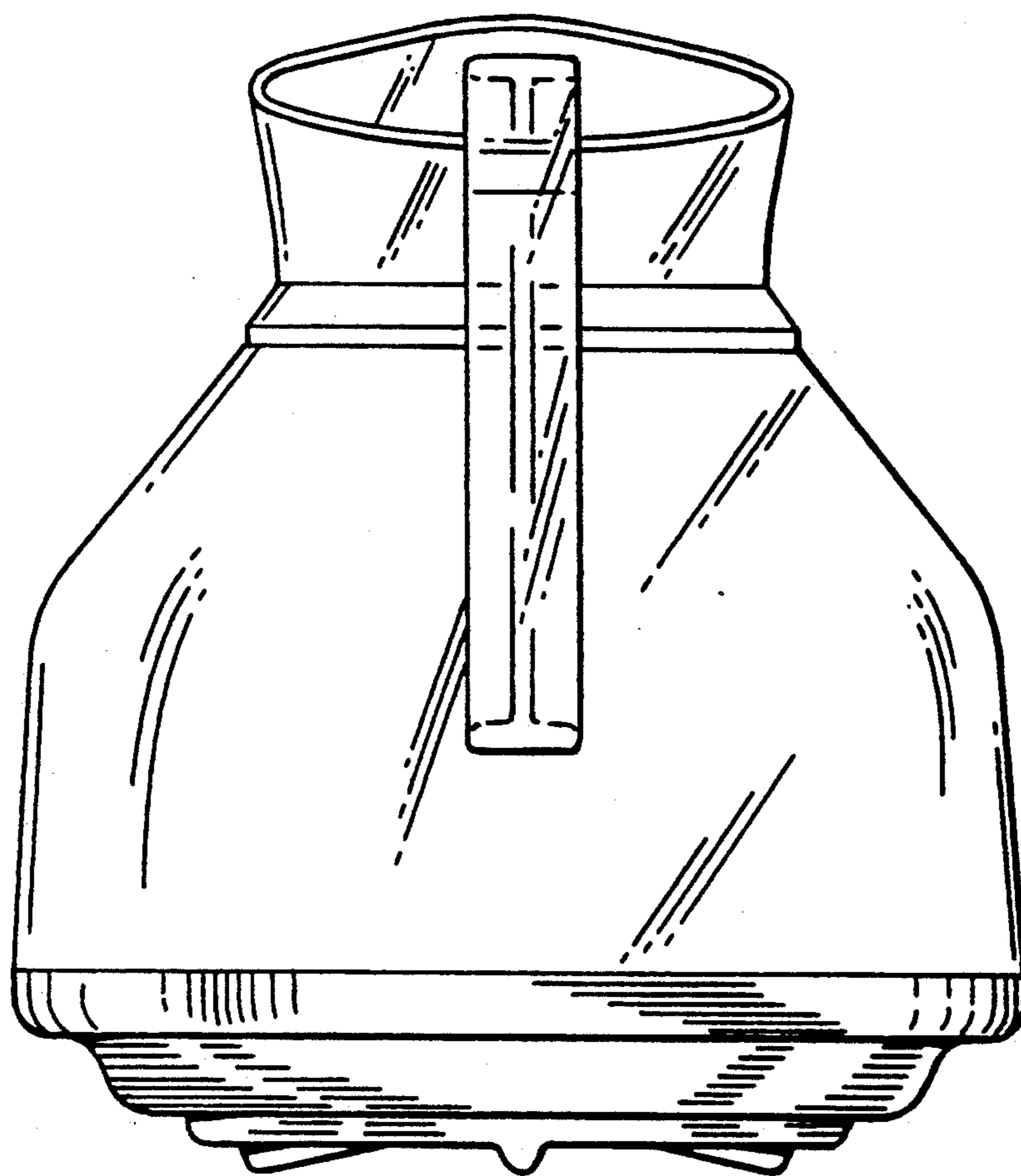


FIG. 3

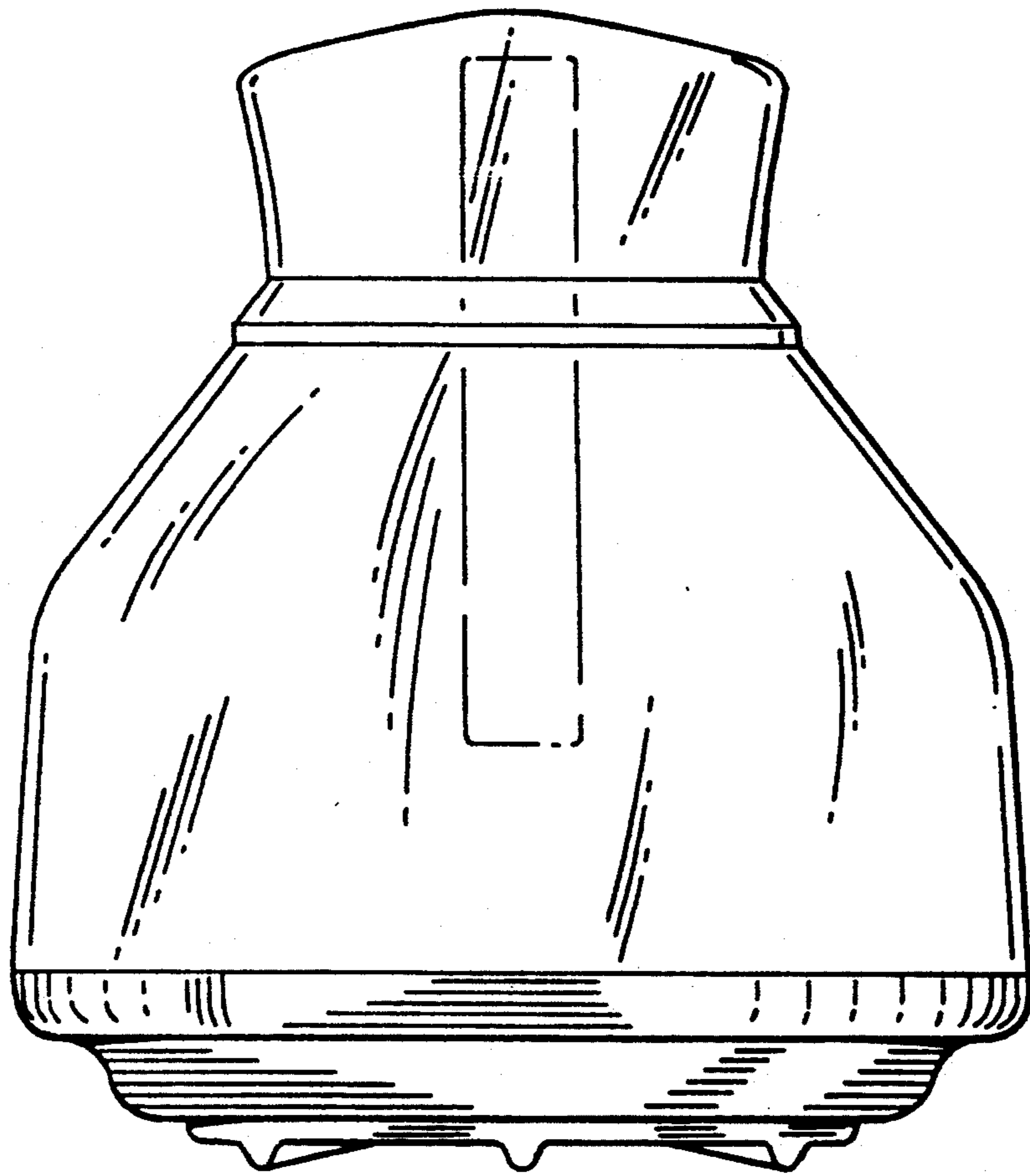


FIG. 4

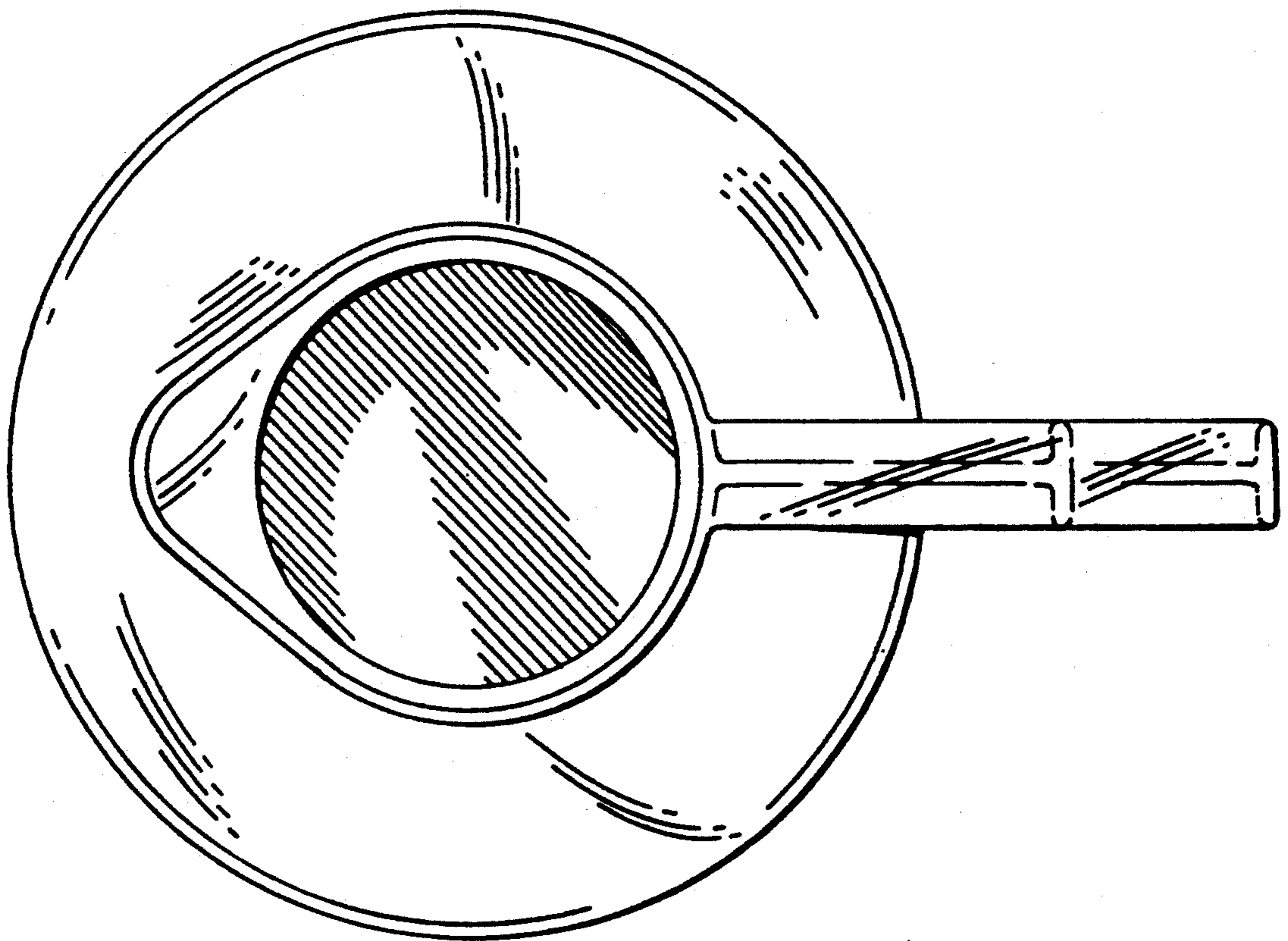


FIG. 5

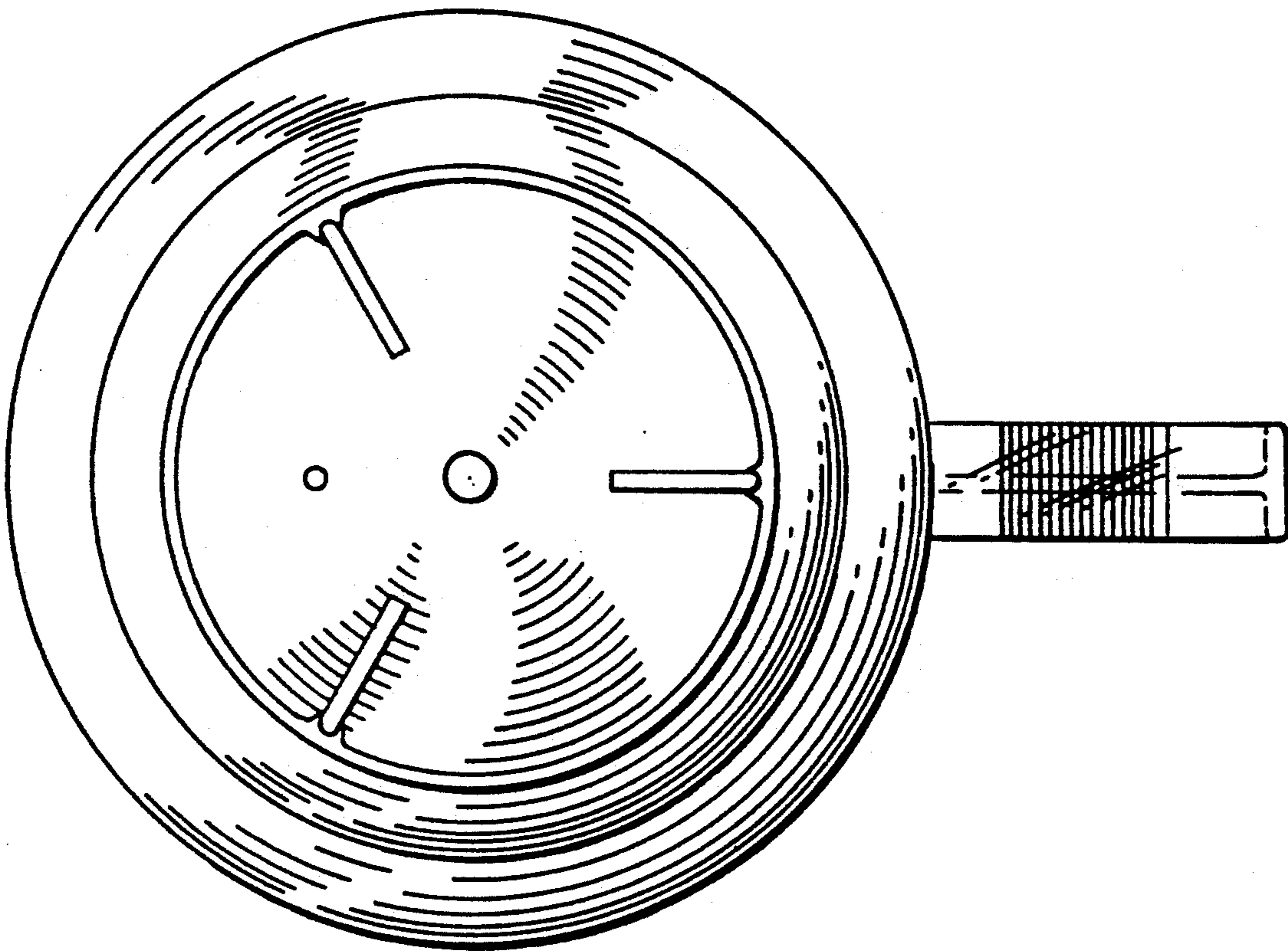


FIG. 6