



US00D335791S

United States Patent [19] Cumley

[11] Patent Number: Des. 335,791

[45] Date of Patent: ** May 25, 1993

[54] BASE FOR A SOAP DISPENSER

[75] Inventor: James H. Cumley, Dallas, Tex.

[73] Assignee: Phoenix Partners, LEH, Dallas, Tex.

[**] Term: 14 Years

[21] Appl. No.: 521,925

[22] Filed: May 11, 1990

[52] U.S. Cl. D6/545

[58] Field of Search D6/542-545;
211/71, 74; 222/180-181, 173; 221/282-286;
248/309.1

[56] References Cited

U.S. PATENT DOCUMENTS

- D. 157,348 2/1950 Crichton D6/545
- D. 203,654 2/1966 Packwood, Jr. D6/545
- D. 210,567 3/1968 Stanziale D6/545

- D. 217,872 6/1970 Sessions D6/545
- D. 256,859 9/1980 Hauser D6/545
- 4,146,156 3/1979 Cassia 222/181

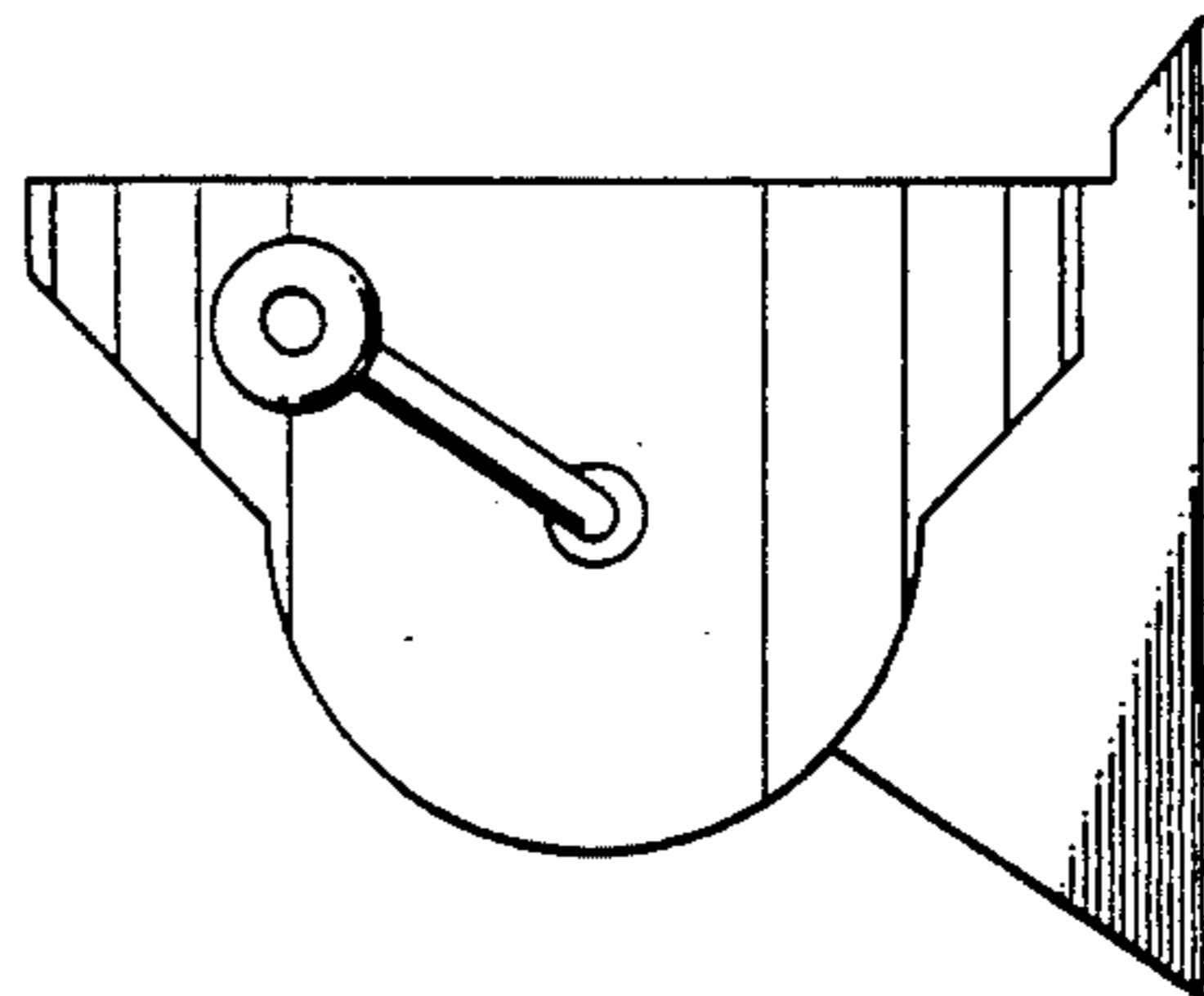
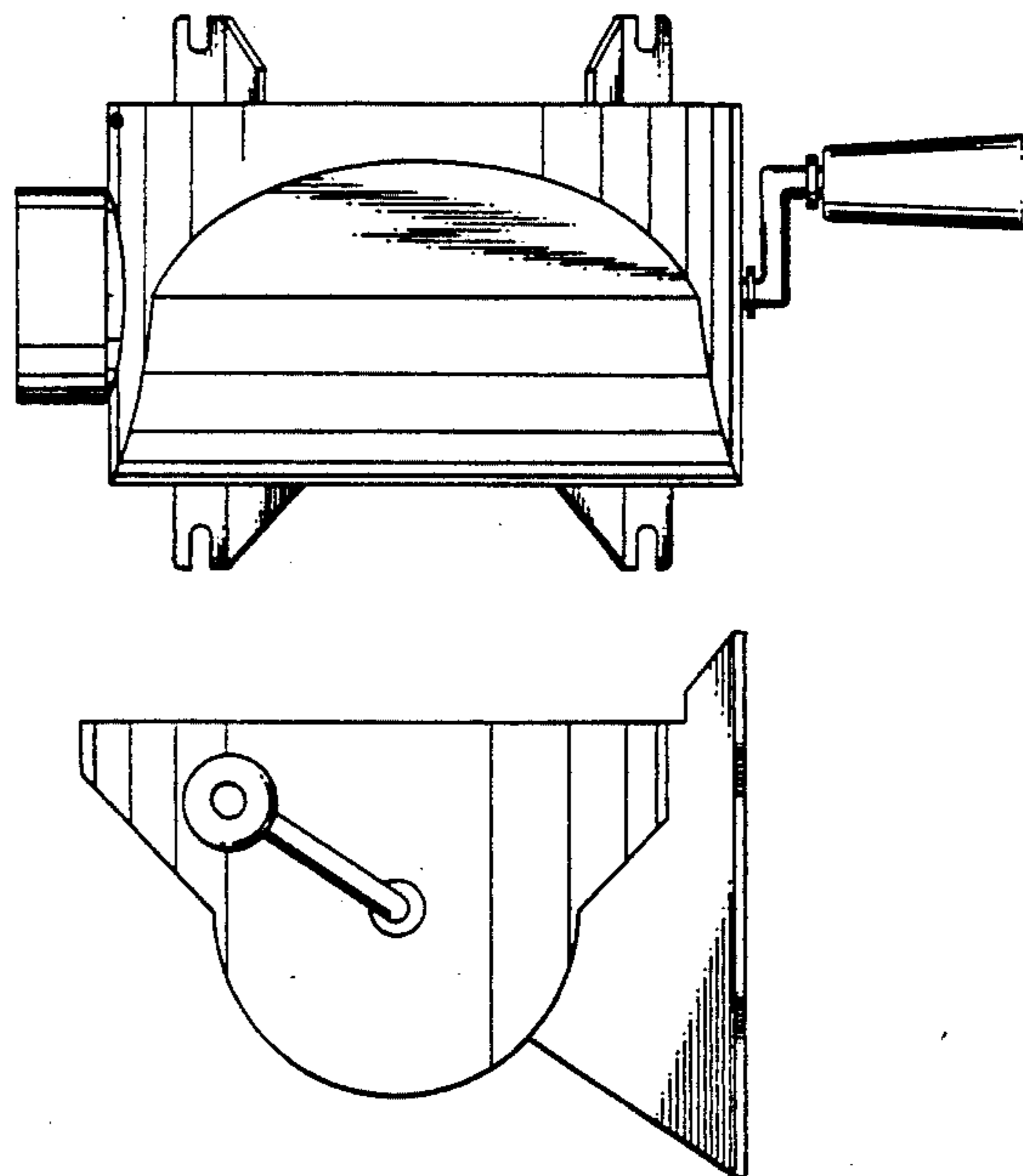
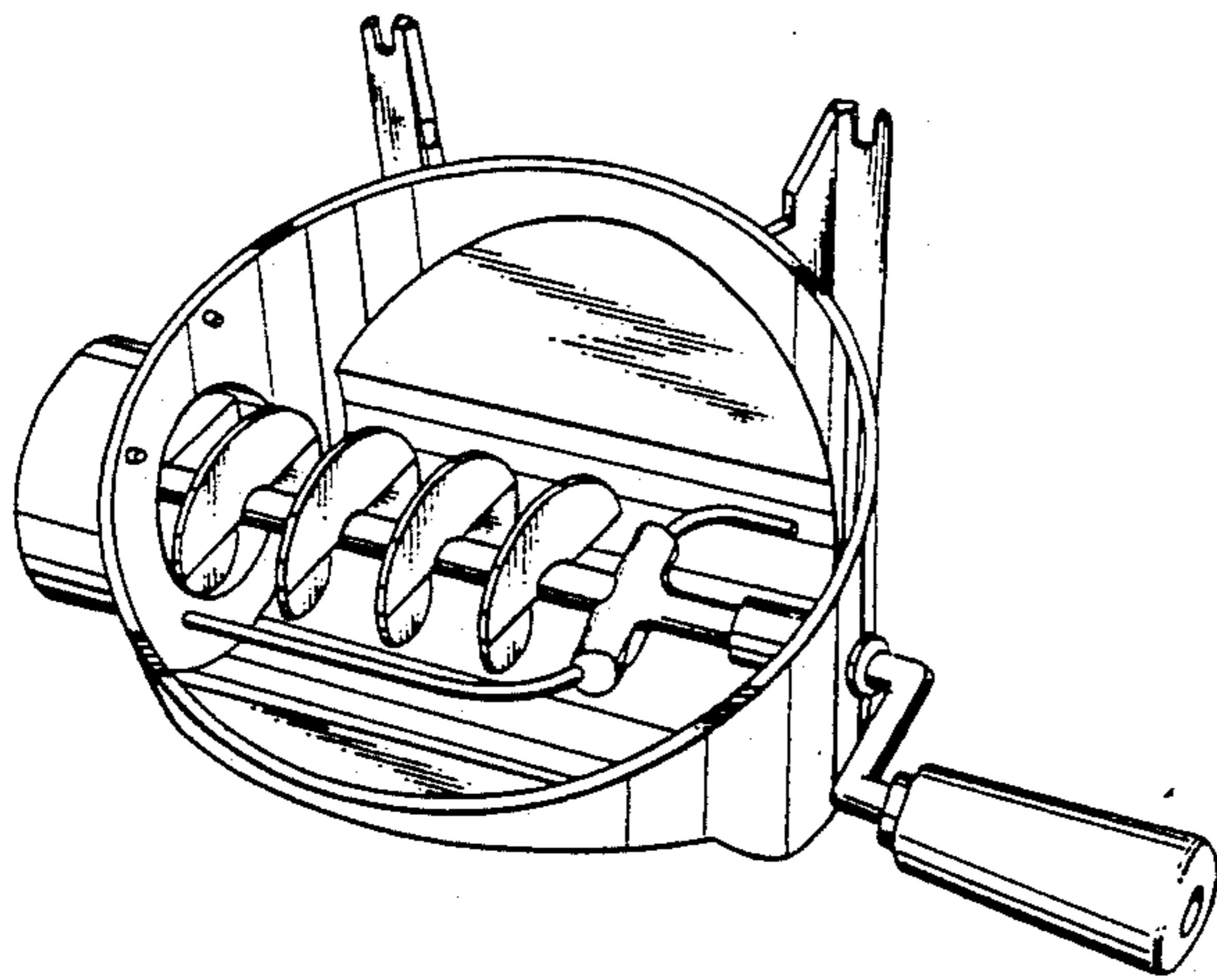
Primary Examiner—Brian N. Vinson
Attorney, Agent, or Firm—Crutsinger & Booth

[57] CLAIM

The ornamental design for base for a soap dispenser, as shown and described.

DESCRIPTION

FIG. 1 is a top, front, and right side perspective view of a base for a soap dispenser showing my new design; FIG. 2 is a top plan view thereof; FIG. 3 is a front elevational view thereof; FIG. 4 is a right side elevational view thereof; FIG. 5 is a left side elevational view thereof; FIG. 6 is a rear elevational view thereof; and, FIG. 7 is a bottom plan view thereof.



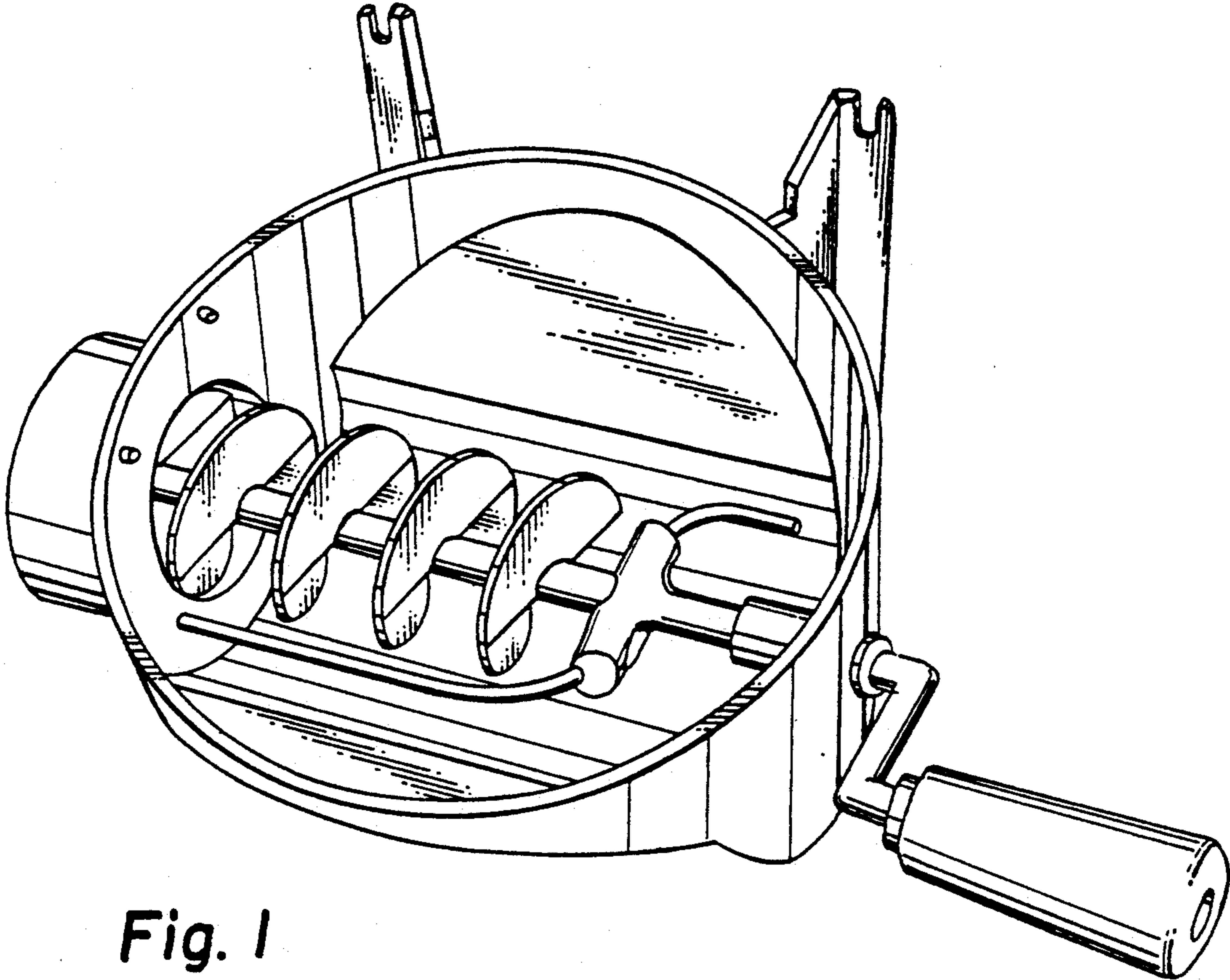


Fig. 1

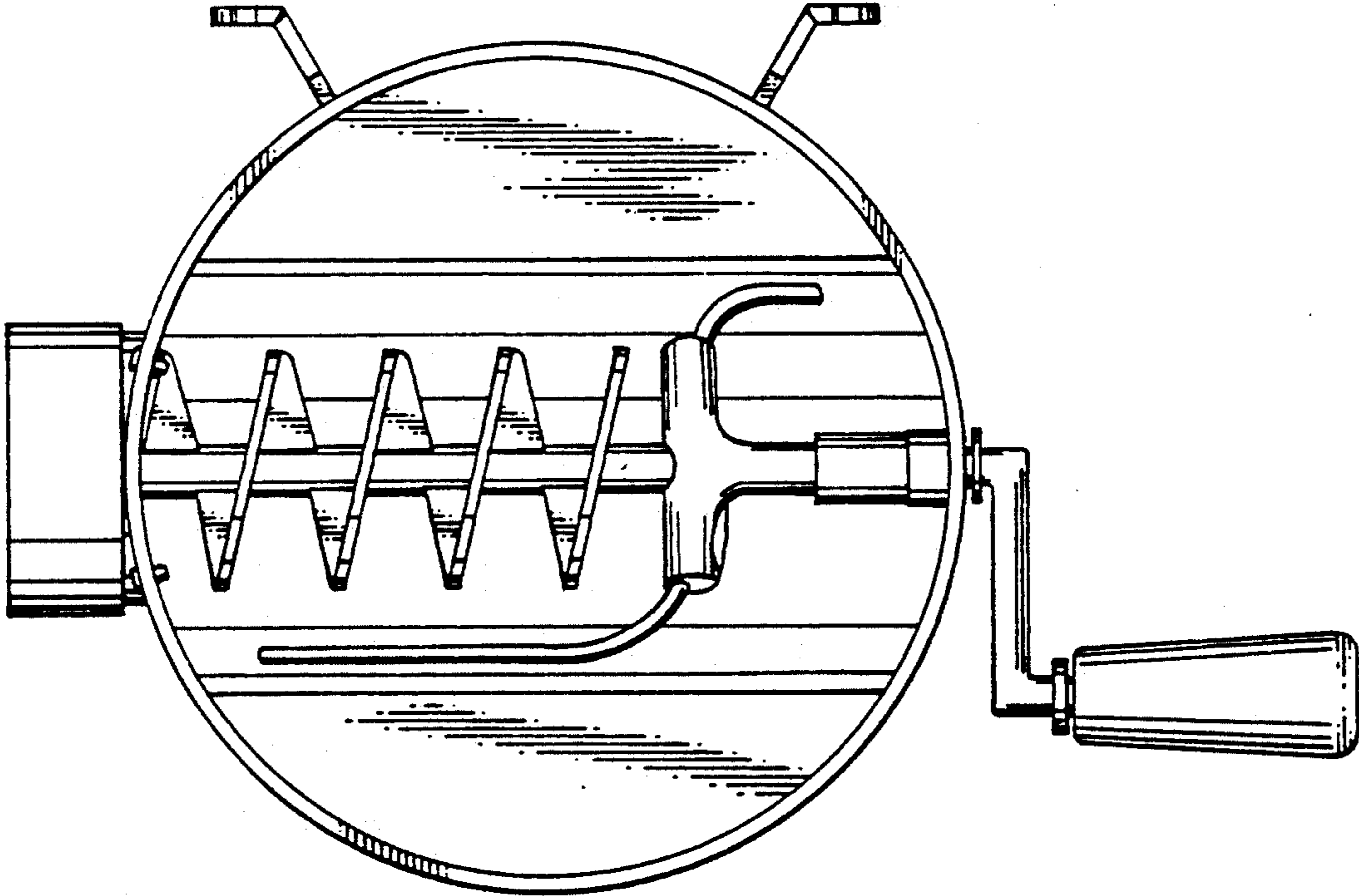


Fig. 2

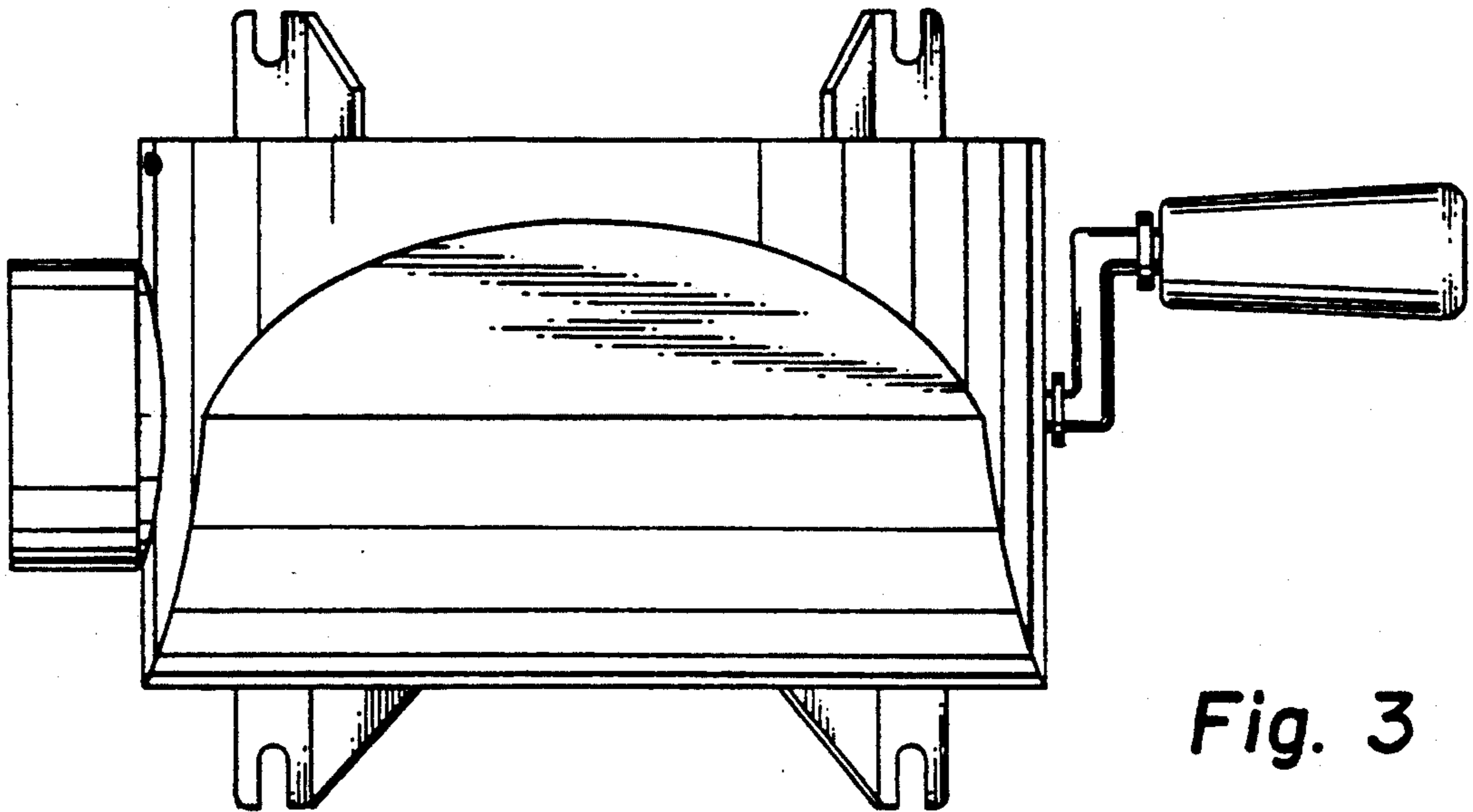


Fig. 3

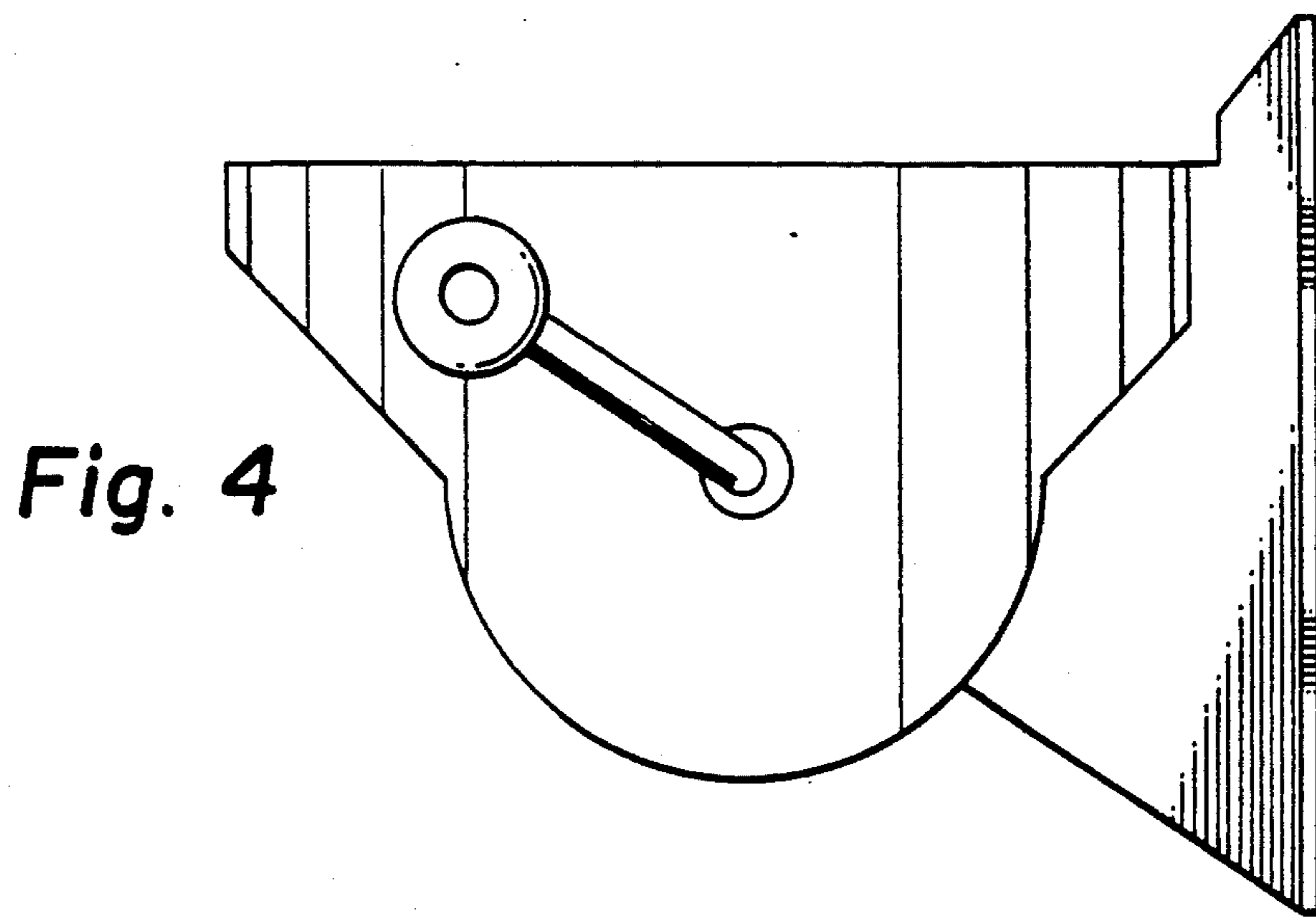


Fig. 4

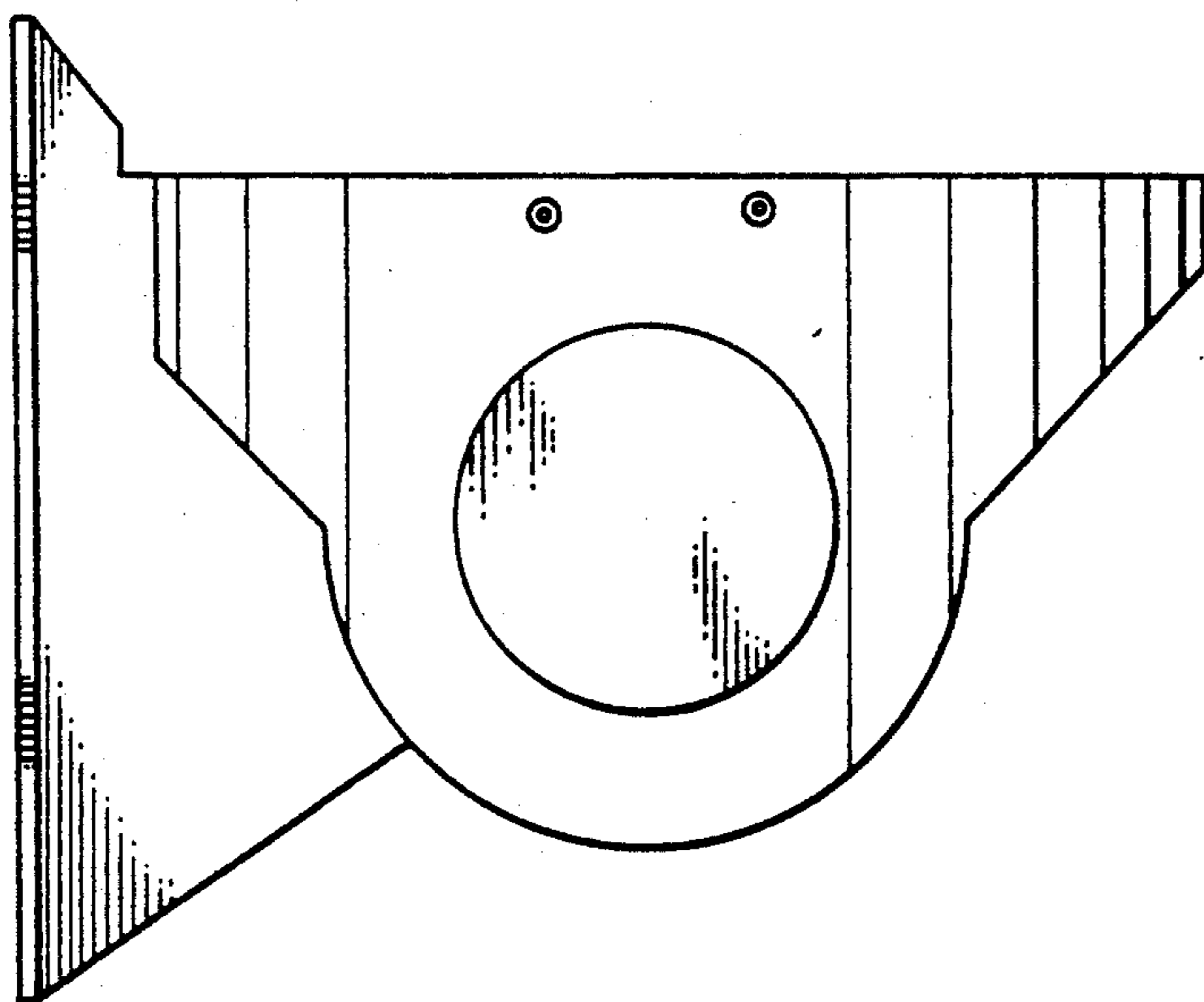


Fig. 5

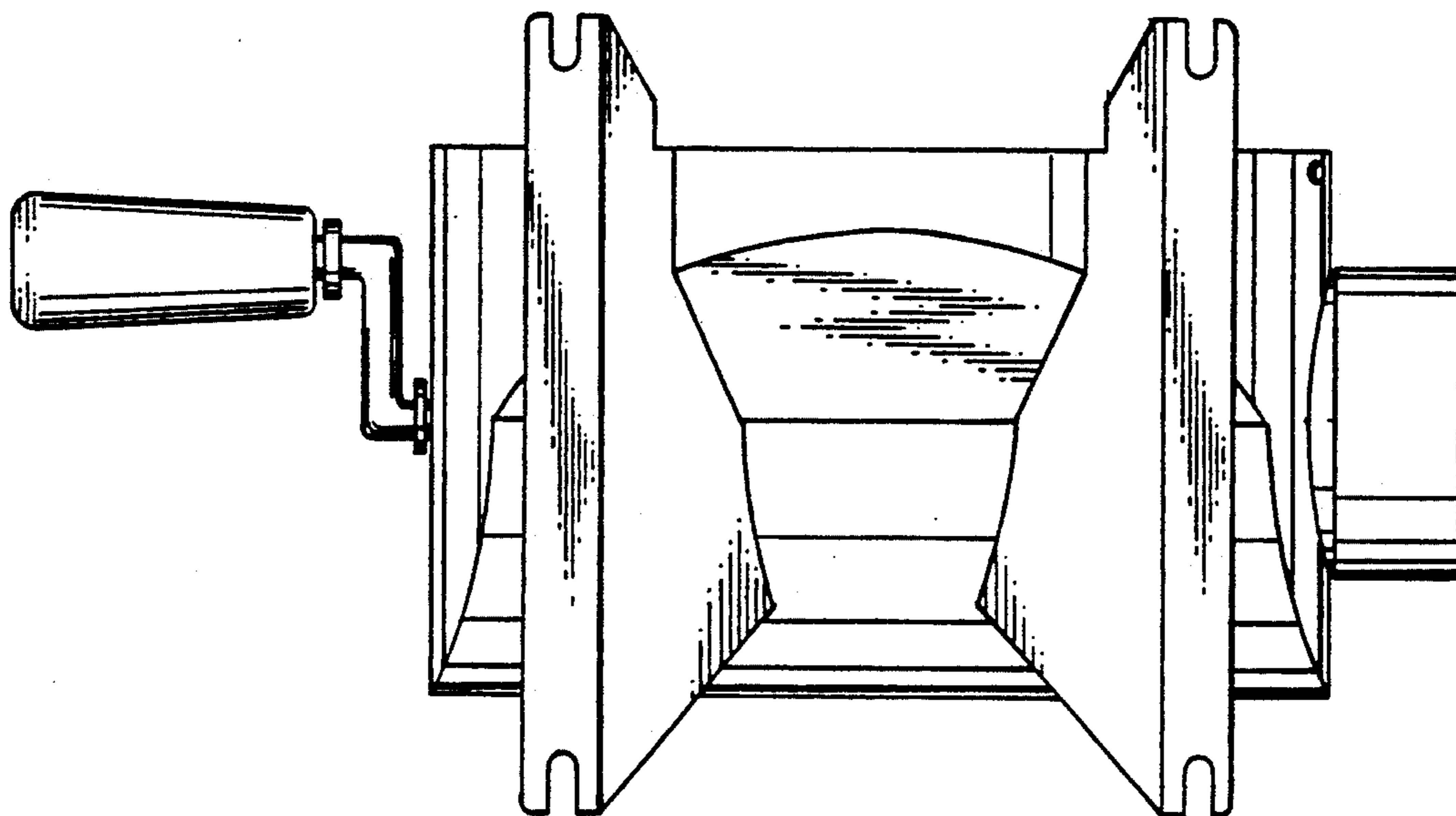


Fig. 6

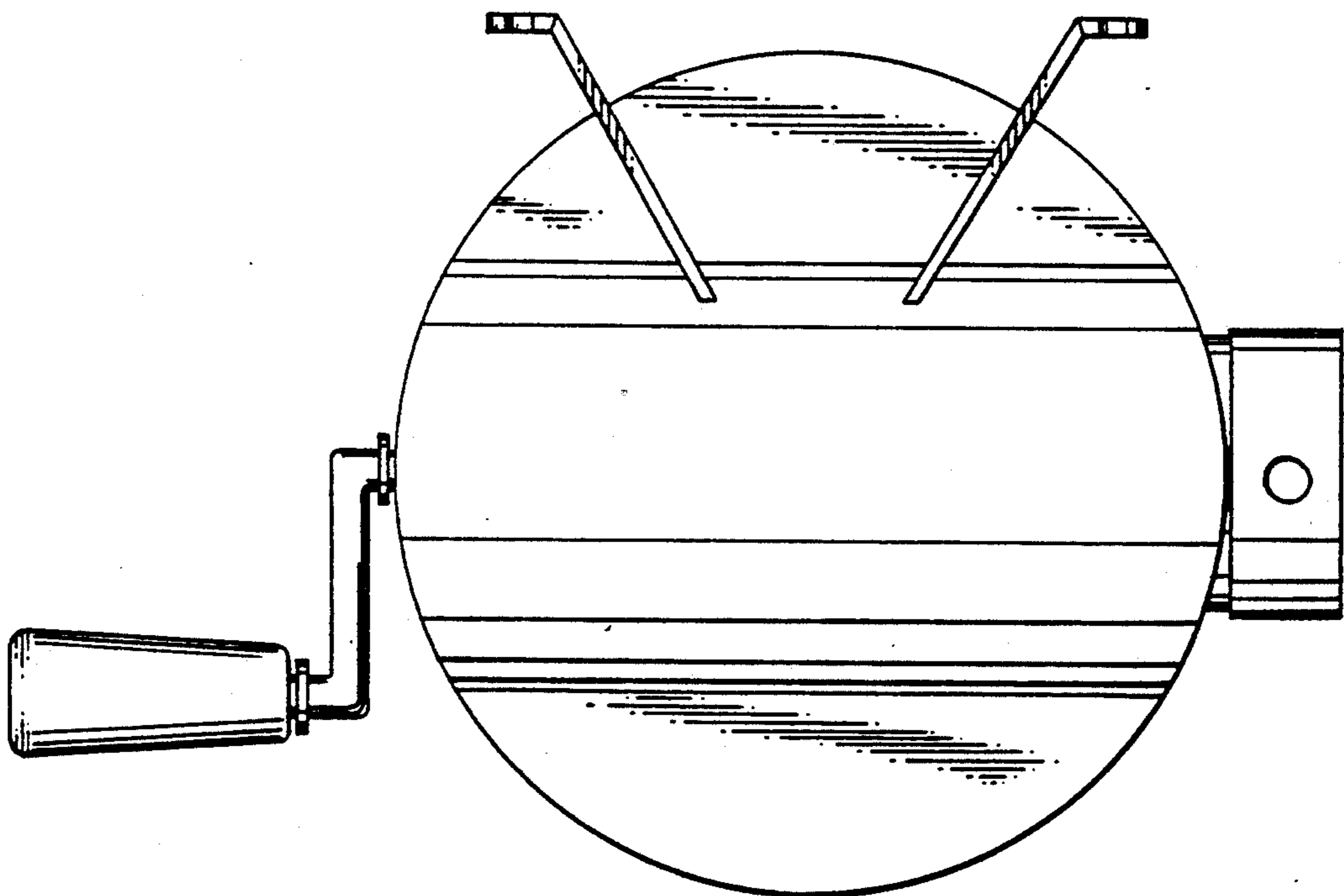


Fig. 7