



US00D335789S

United States Patent [19]

[11] Patent Number: **Des. 335,789**

Adams

[45] Date of Patent: **** May 25, 1993**

[54] TABLE BASE

D. 287,798 1/1987 Venturi D6/498

[76] Inventor: **Raymond V. Adams, 32 Ryon Cir., Lawrenceville, Pa. 16929**

OTHER PUBLICATIONS

Casual Living, Sep., 1990.

[**] Term: **14 Years**

Primary Examiner—Alan P. Douglas

Assistant Examiner—J. E. Seeger

[21] Appl. No.: **730,289**

Attorney, Agent, or Firm—Buchanan Ingersoll

[22] Filed: **Jul. 15, 1991**

[57] **CLAIM**

[52] U.S. Cl. **D6/495; D6/498**

The ornamental design for a table base, as shown and described.

[58] Field of Search **D6/480-489, D6/495-499, 450-453; 108/153, 161**

DESCRIPTION

[56] **References Cited**

FIG. 1 is a top plan view of a table base, showing my new design;

FIG. 2 is a side view thereof; and,

FIG. 3 is a bottom view thereof.

U.S. PATENT DOCUMENTS

D. 108,745 5/1938 Trudo D6/488 X

D. 147,775 11/1947 Appell et al. D6/484

D. 235,953 7/1975 Uyeda D6/487

D. 260,639 9/1981 Long D6/498 X

The broken lines are for environmental purposes only and form no part of the claimed design.

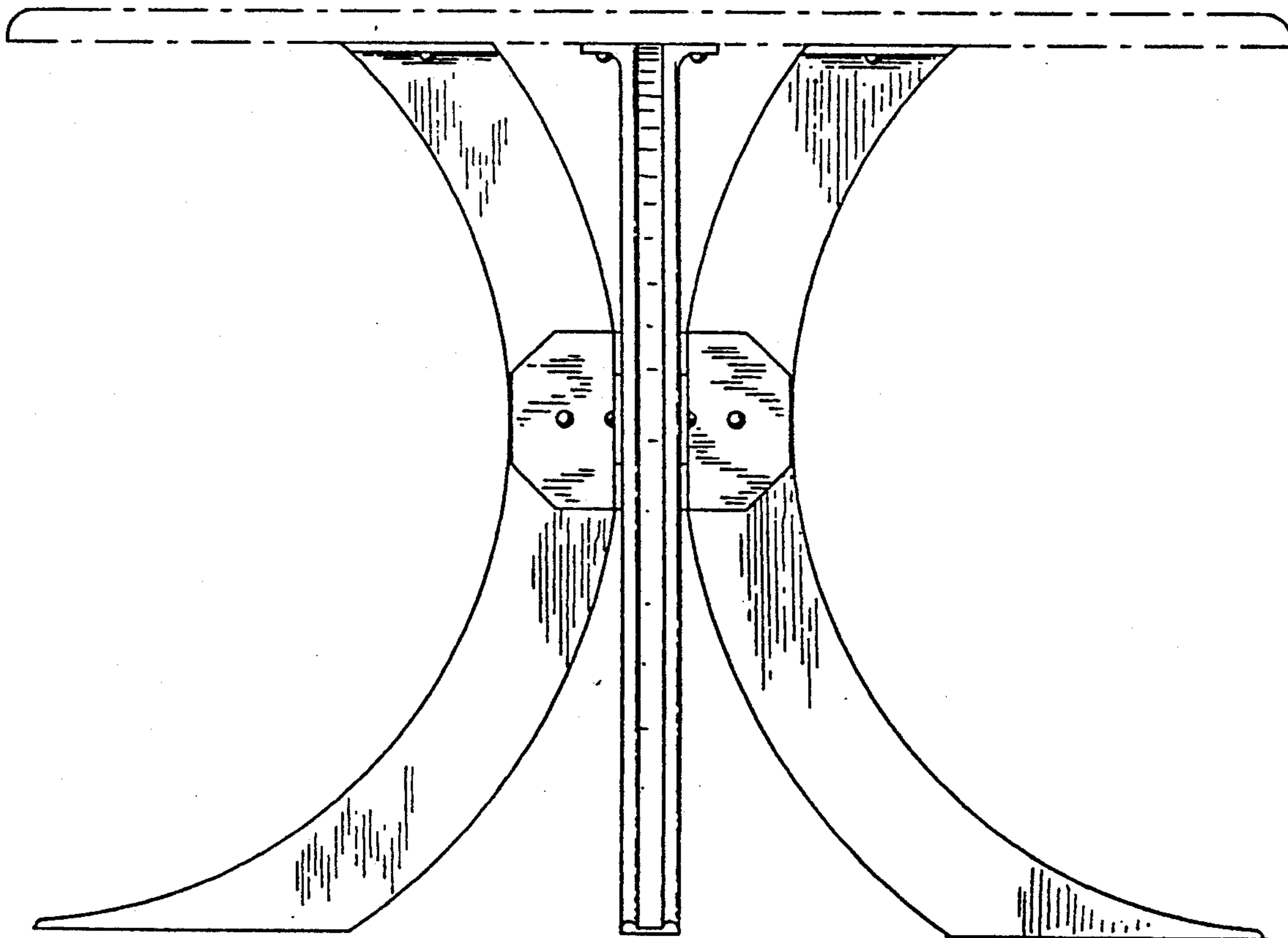


Fig. 1.

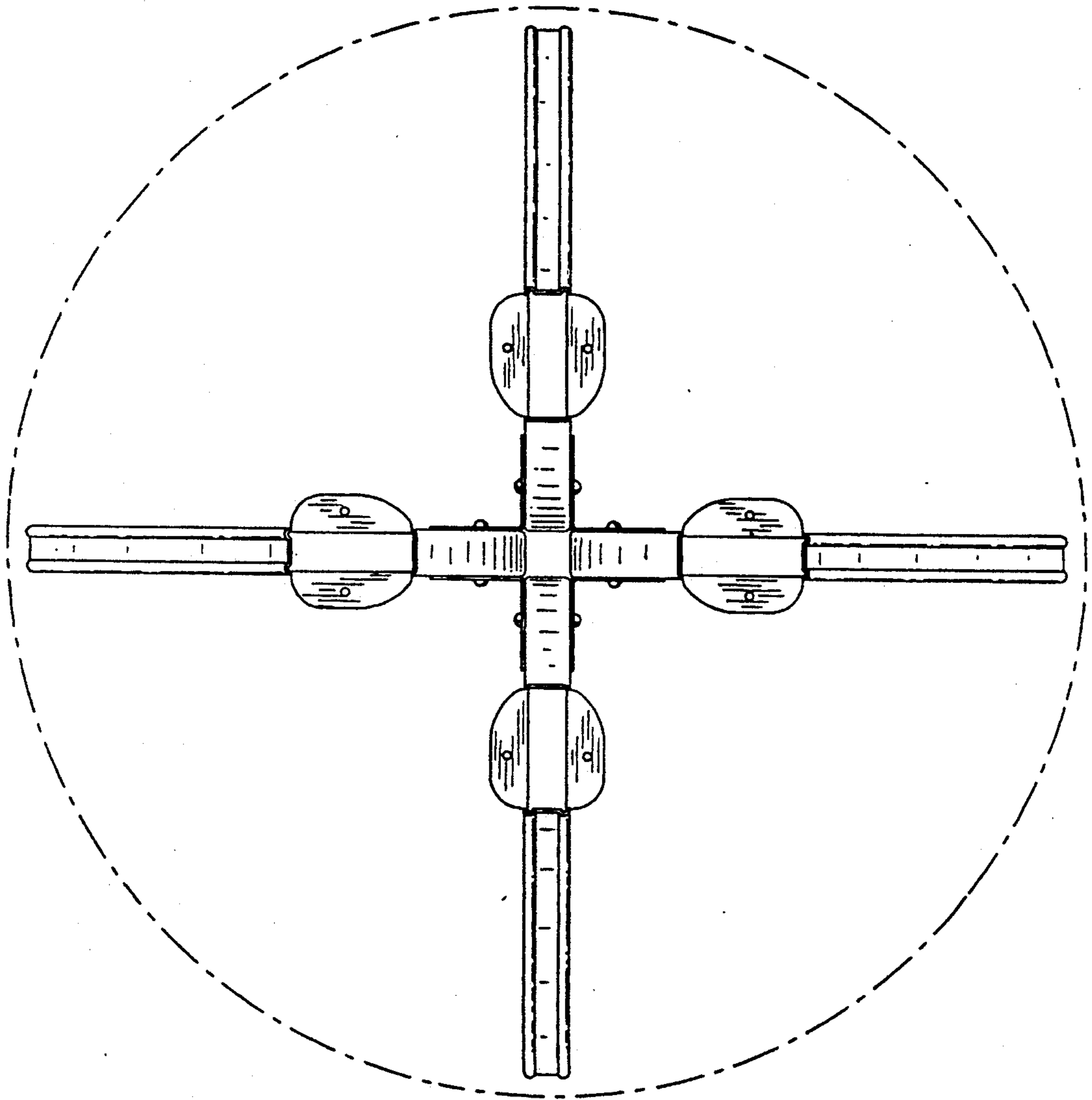


Fig. 2.

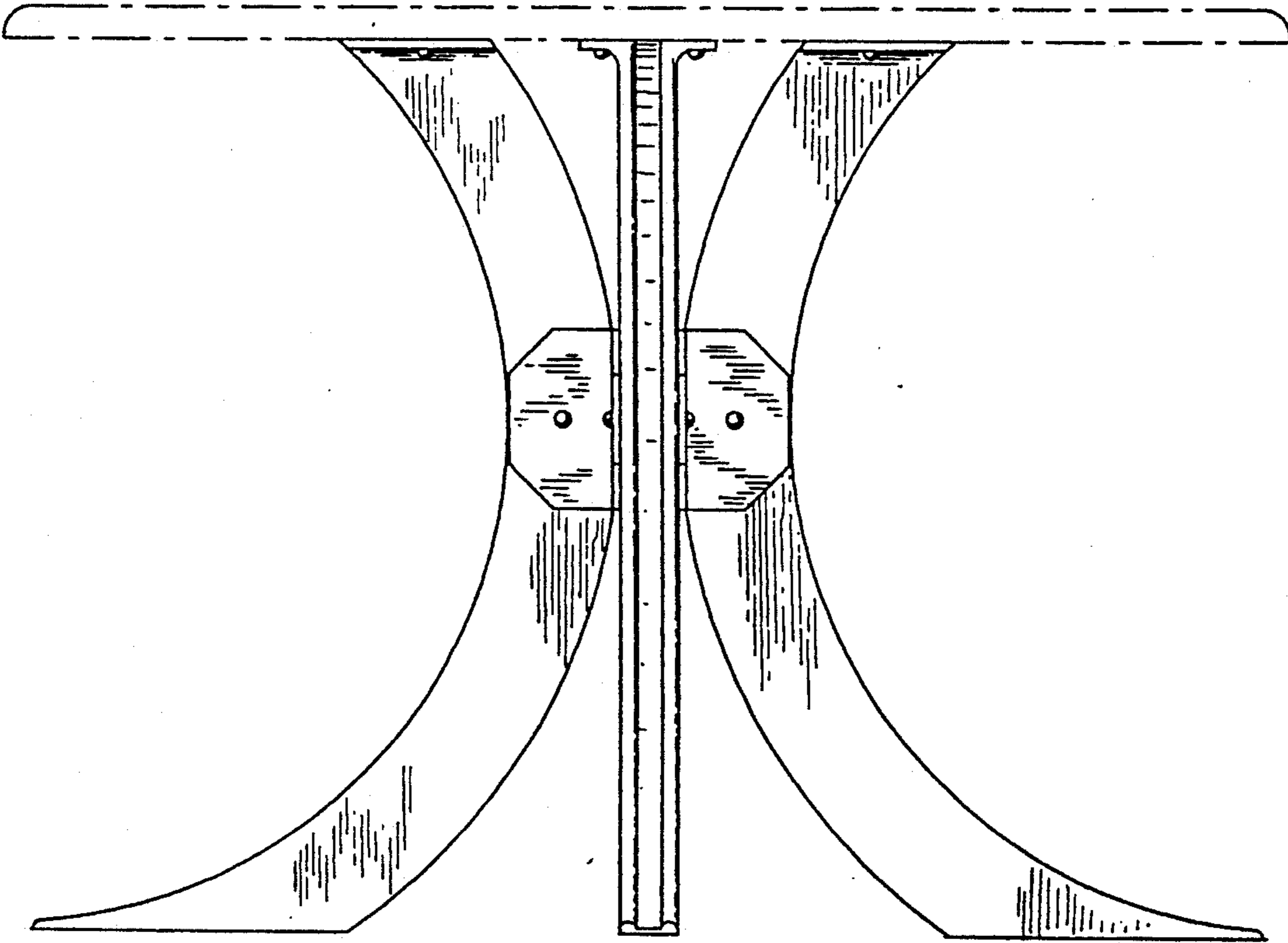


Fig. 3.

