



US00D335786S

United States Patent [19]

[11] Patent Number: **Des. 335,786**

Garvey et al.

[45] Date of Patent: **** May 25, 1993**

[54] **COMPUTER WORKSTATION**

[75] Inventors: **Peter C. Garvey, North Hills; Harry J. McVicker, Pottstown, both of Pa.**

[73] Assignee: **Grolen Incorporated, Conshohocken, Pa.**

[**] Term: **14 Years**

[21] Appl. No.: **756,085**

[22] Filed: **Sep. 6, 1991**

[52] U.S. Cl. **D6/474; D6/484**

[58] Field of Search **D6/396, 449, 420, 421, D6/474, 484, 419, 429, 426; D34/14, 17, 21; 211/149, 134, 153, 13, 182; 312/194-196, 223; 248/449, 445, 158, 558; 108/59, 60, 108, 111**

[56] **References Cited**

U.S. PATENT DOCUMENTS

D. 169,012	3/1953	Musacco	D6/420 X
D. 252,729	8/1979	Leahy, Jr.	D6/449 X
D. 262,076	12/1981	Pracon	D6/474 X
D. 274,586	7/1984	Cope et al.	D6/474 X
D. 279,740	7/1985	Slager	D6/430 X
D. 289,116	4/1987	Kando	D6/474

D. 296,143	6/1988	Bettess	D34/21
D. 297,190	8/1988	Arnott	D6/420 X
D. 304,112	10/1989	Bettess	D34/21
D. 306,105	2/1990	Newhouse	D6/420
4,313,589	2/1982	Vega	D6/420 X

Primary Examiner—Alan P. Douglas
Assistant Examiner—Jeffrey Asch
Attorney, Agent, or Firm—Howson and Howson

[57] **CLAIM**

The ornamental design for a computer workstation, as shown and described.

DESCRIPTION

FIG. 1 is a perspective view of a computer workstation showing our new design;
FIG. 2 is a front elevational view thereof;
FIG. 3 is a right side elevational view thereof;
FIG. 4 is a top plan view thereof;
FIG. 5 is a rear elevational view thereof;
FIG. 6 is a bottom plan view thereof;
FIG. 7 is a perspective view of a second embodiment of a computer workstation showing our new design; and,
FIG. 8 is a perspective view of a third embodiment of a computer workstation showing our new design.

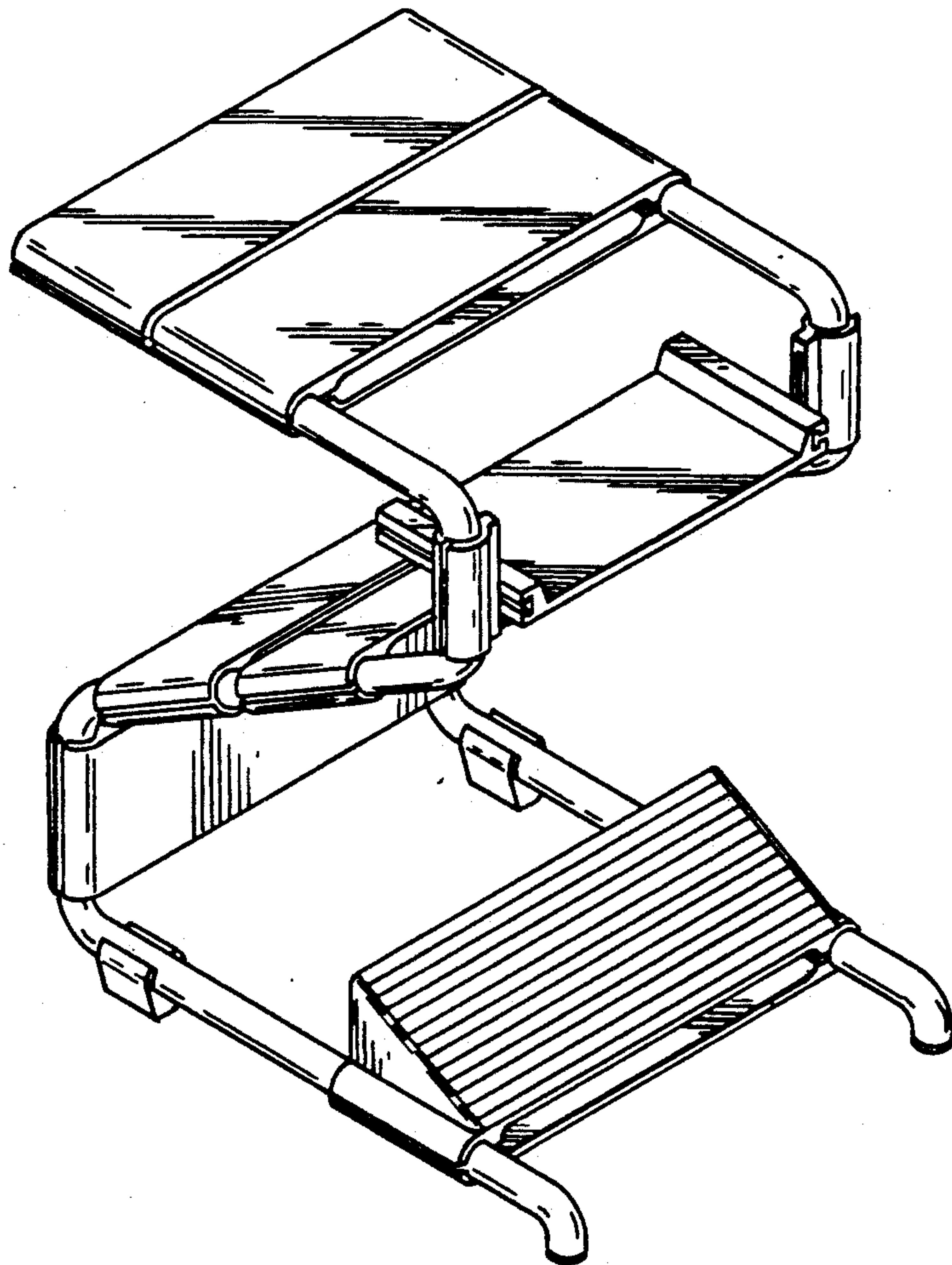


FIG. 1

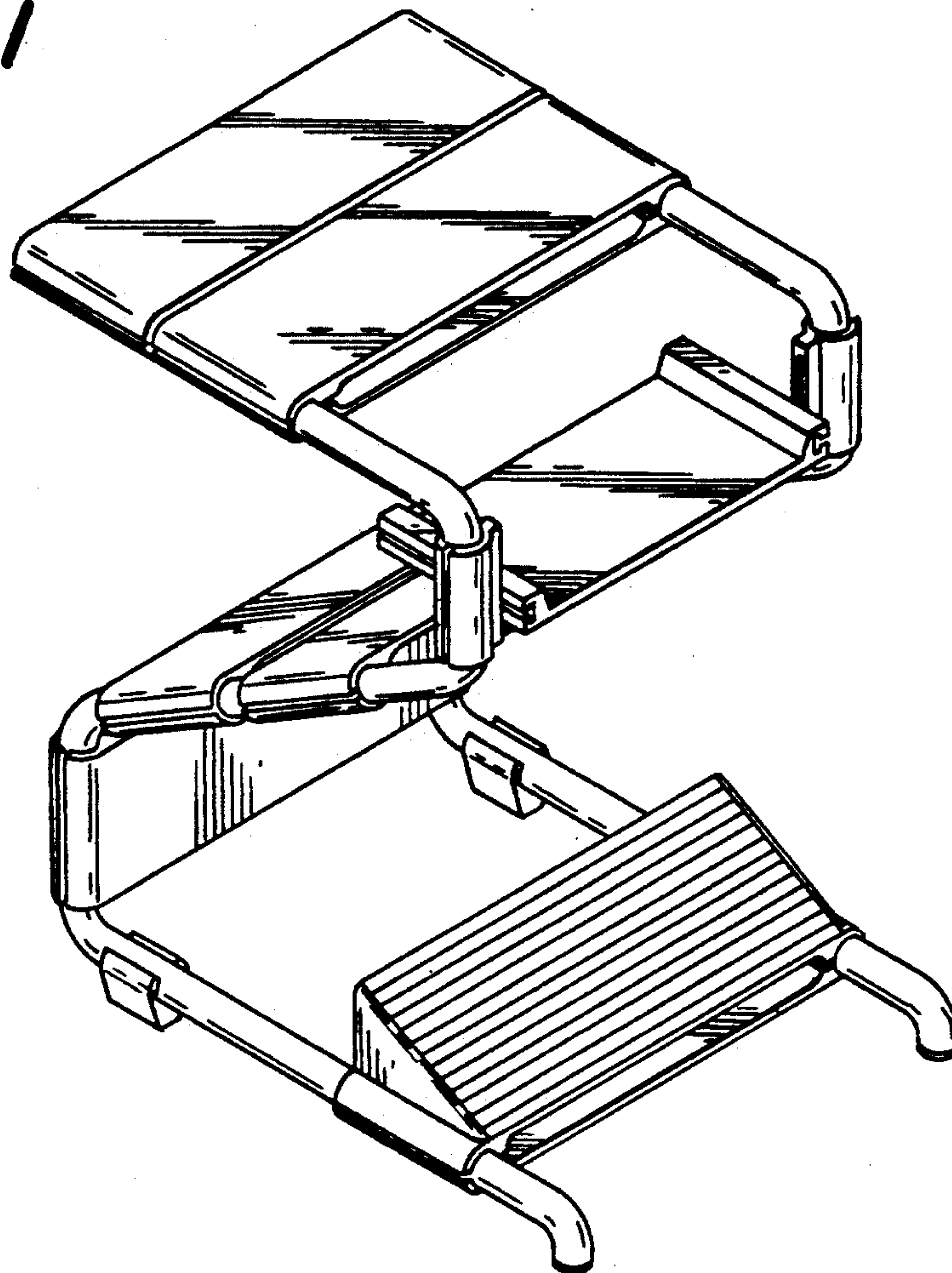


FIG. 2

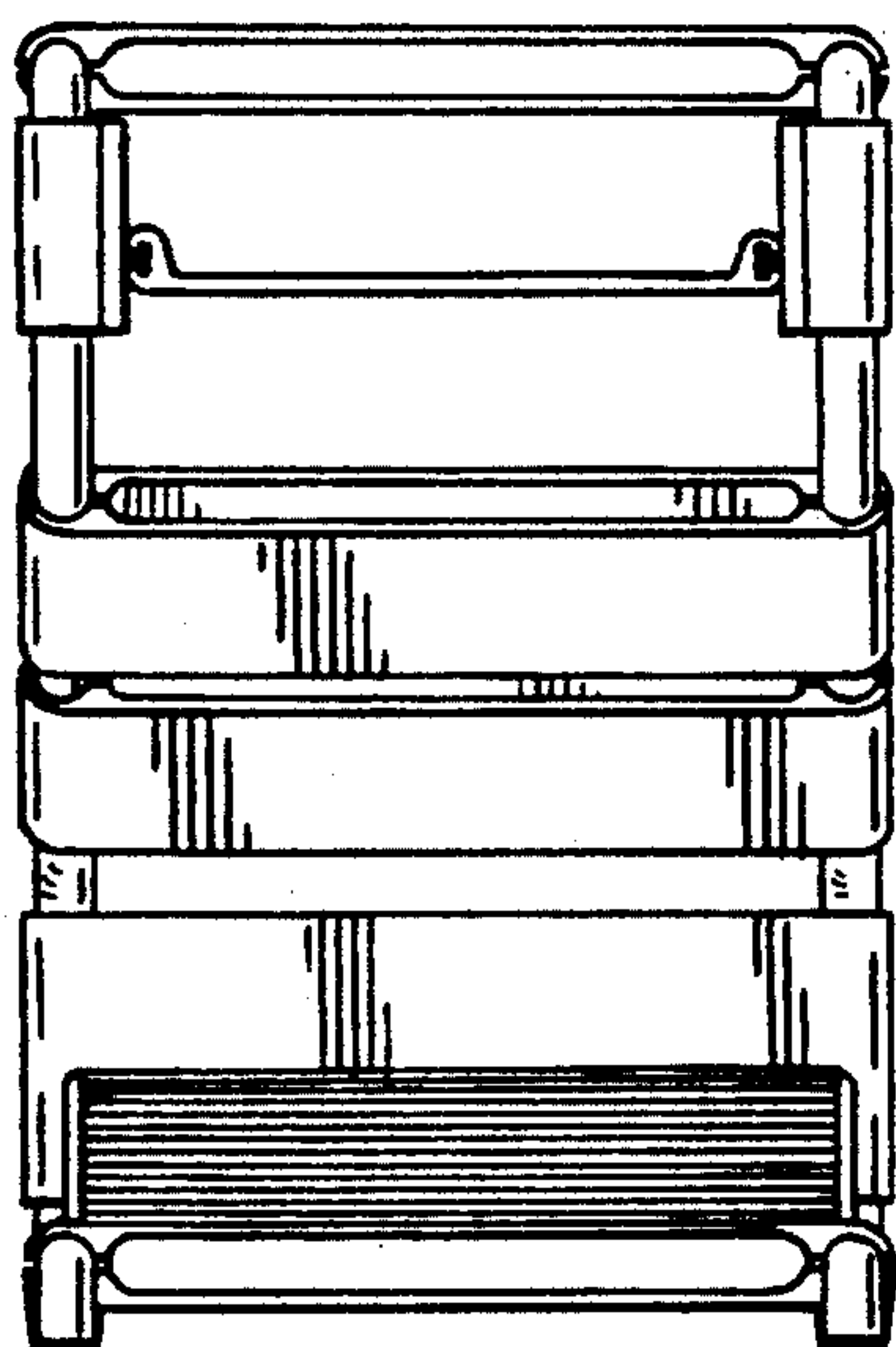


FIG. 3

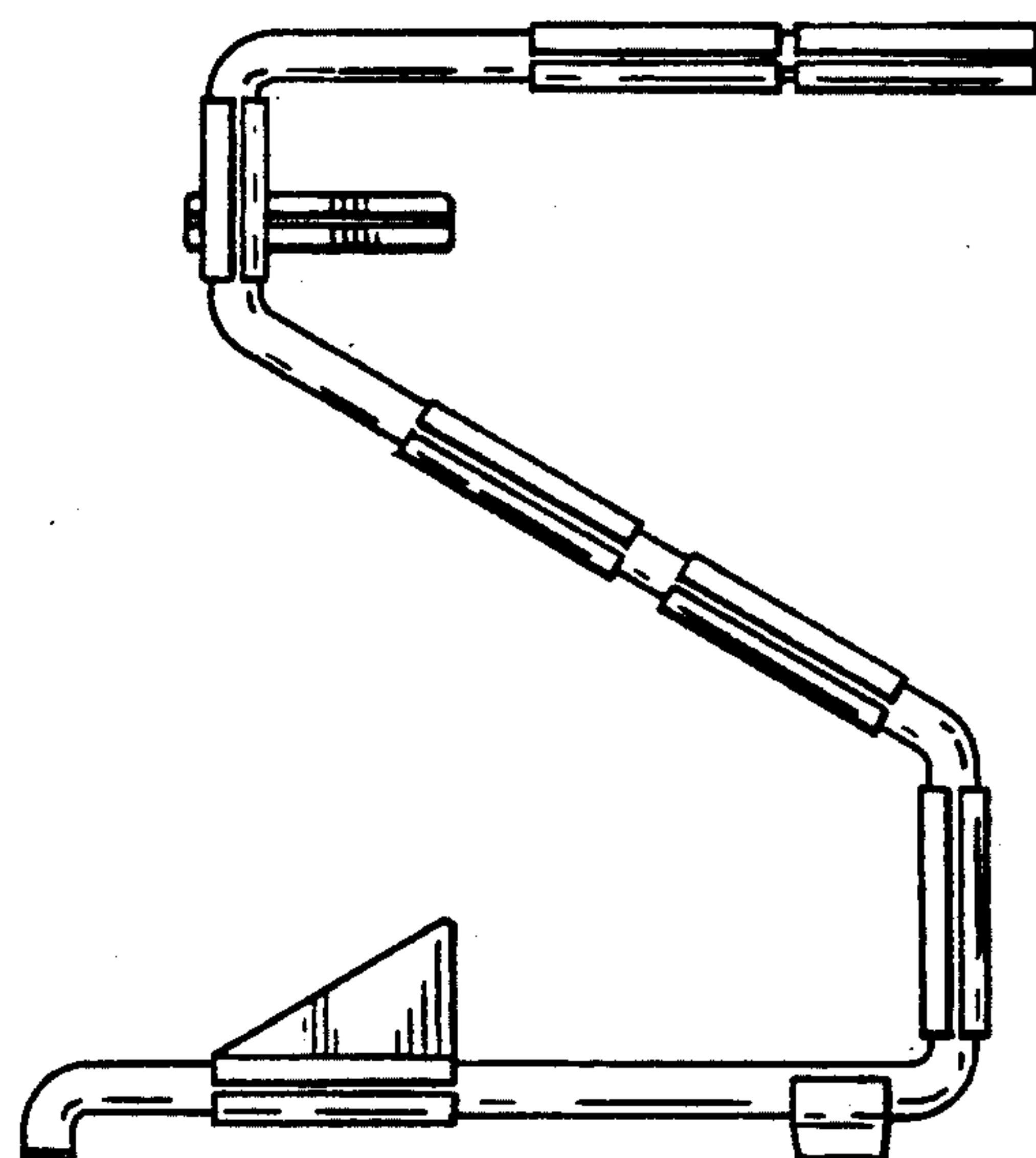


FIG. 4

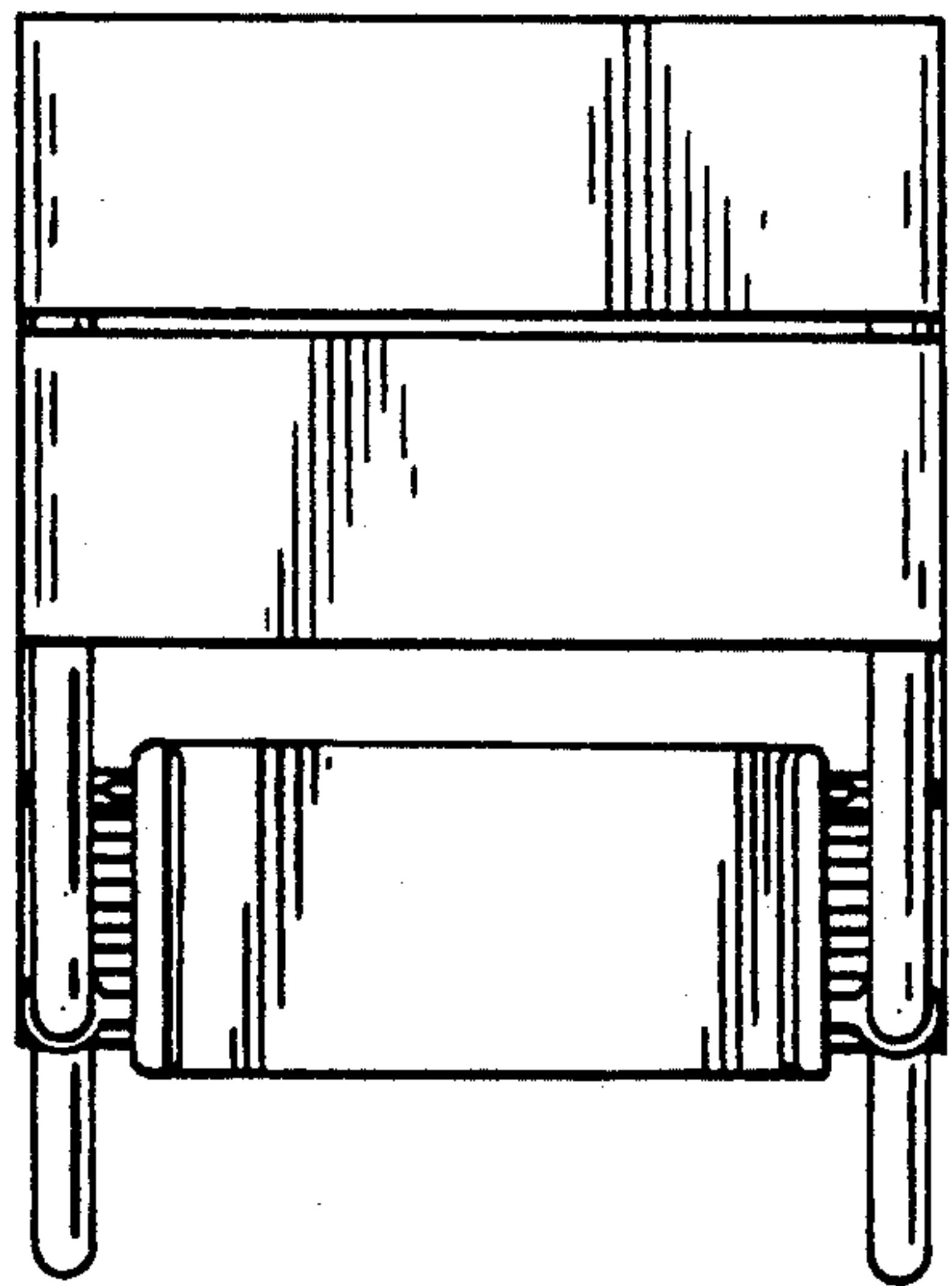


FIG. 5

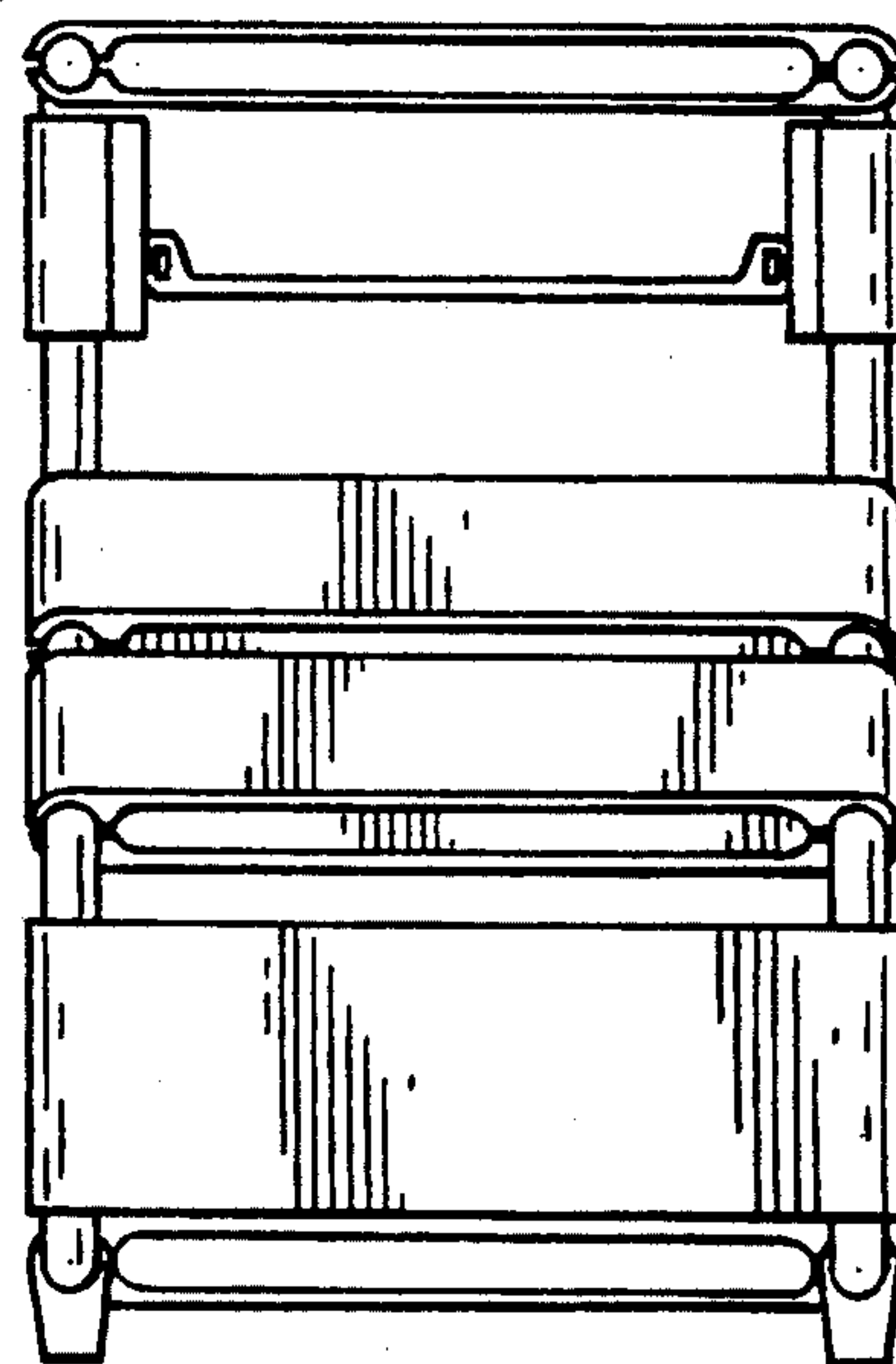
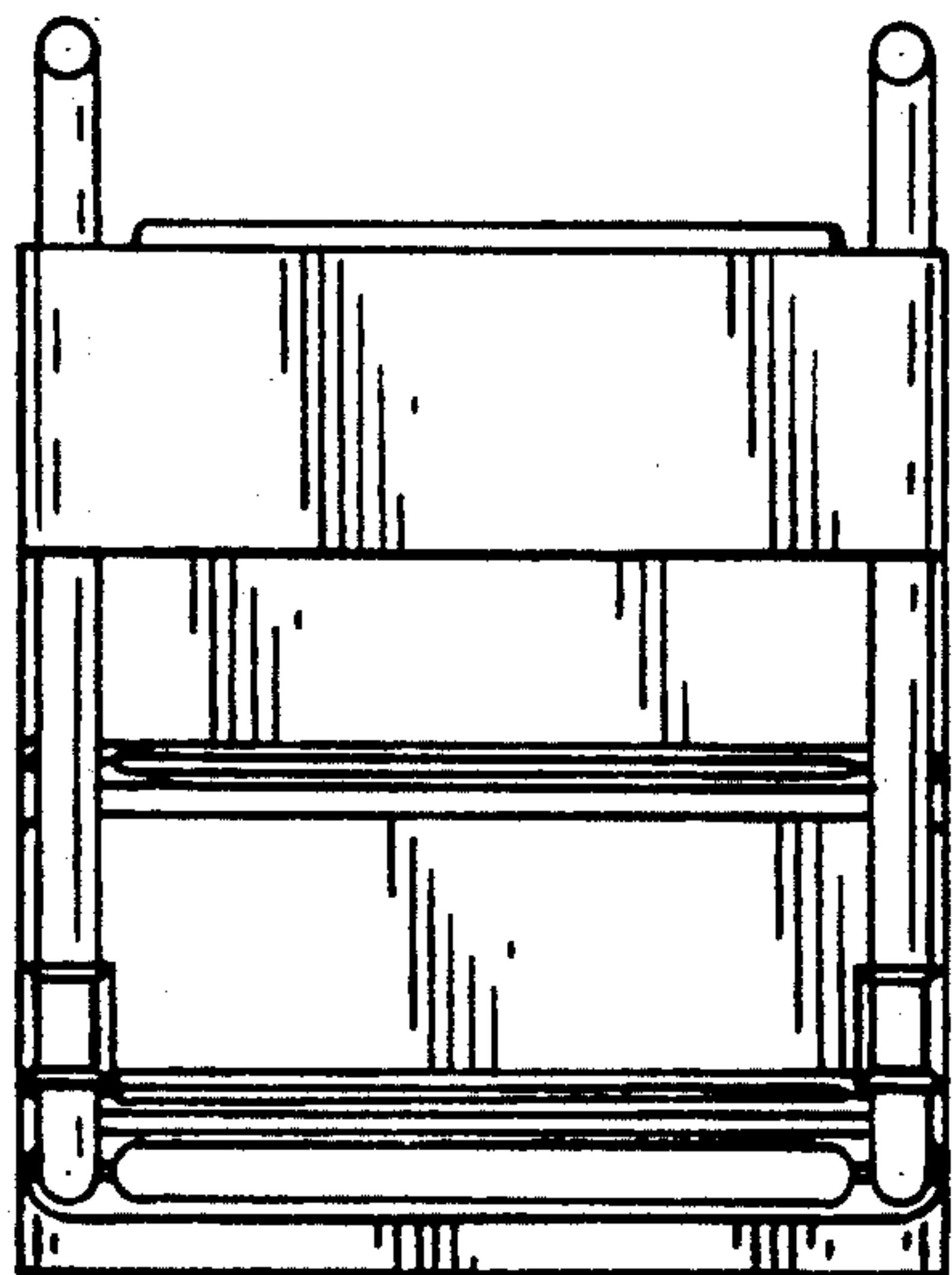


FIG. 6



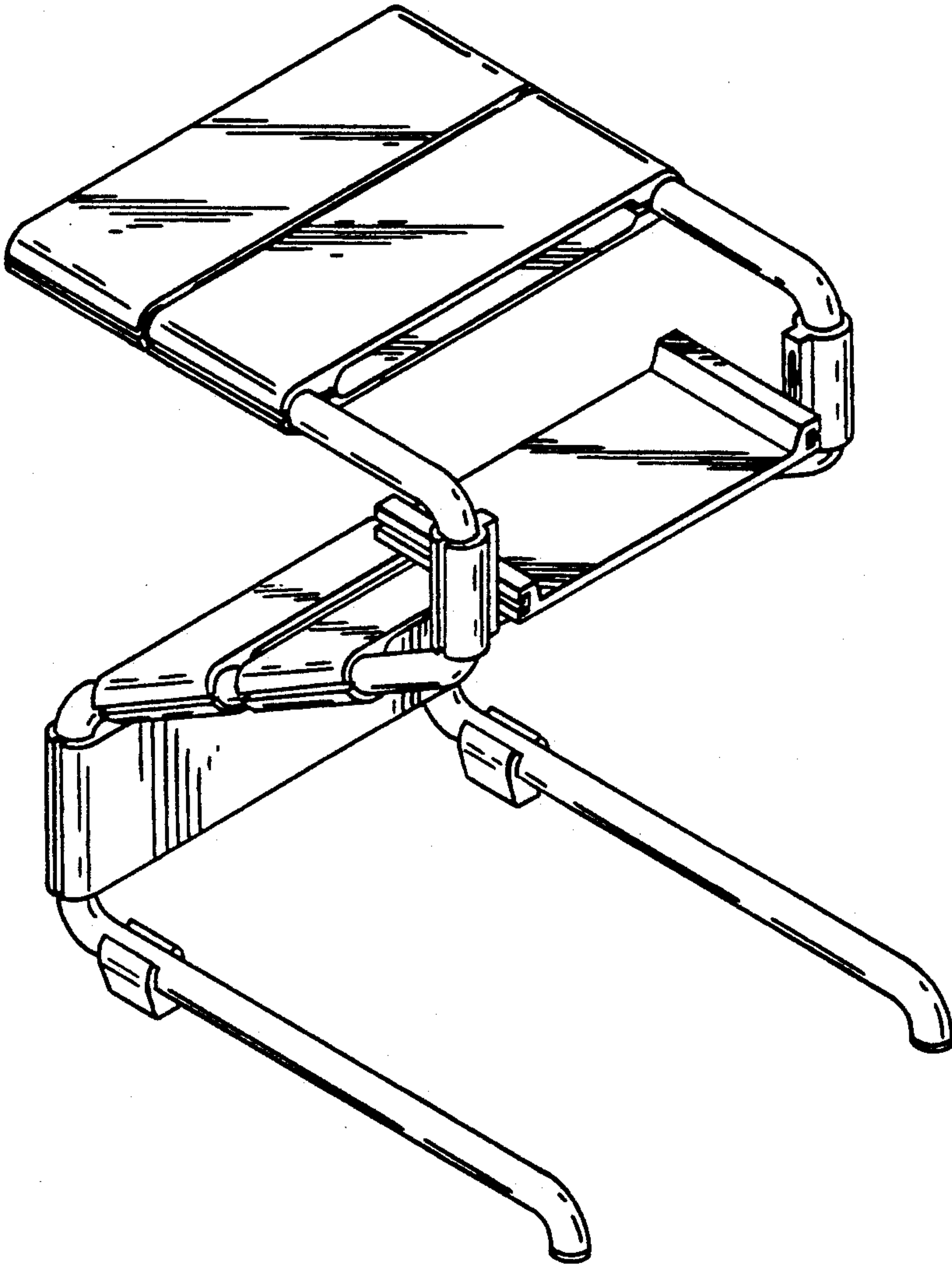


FIG. 7

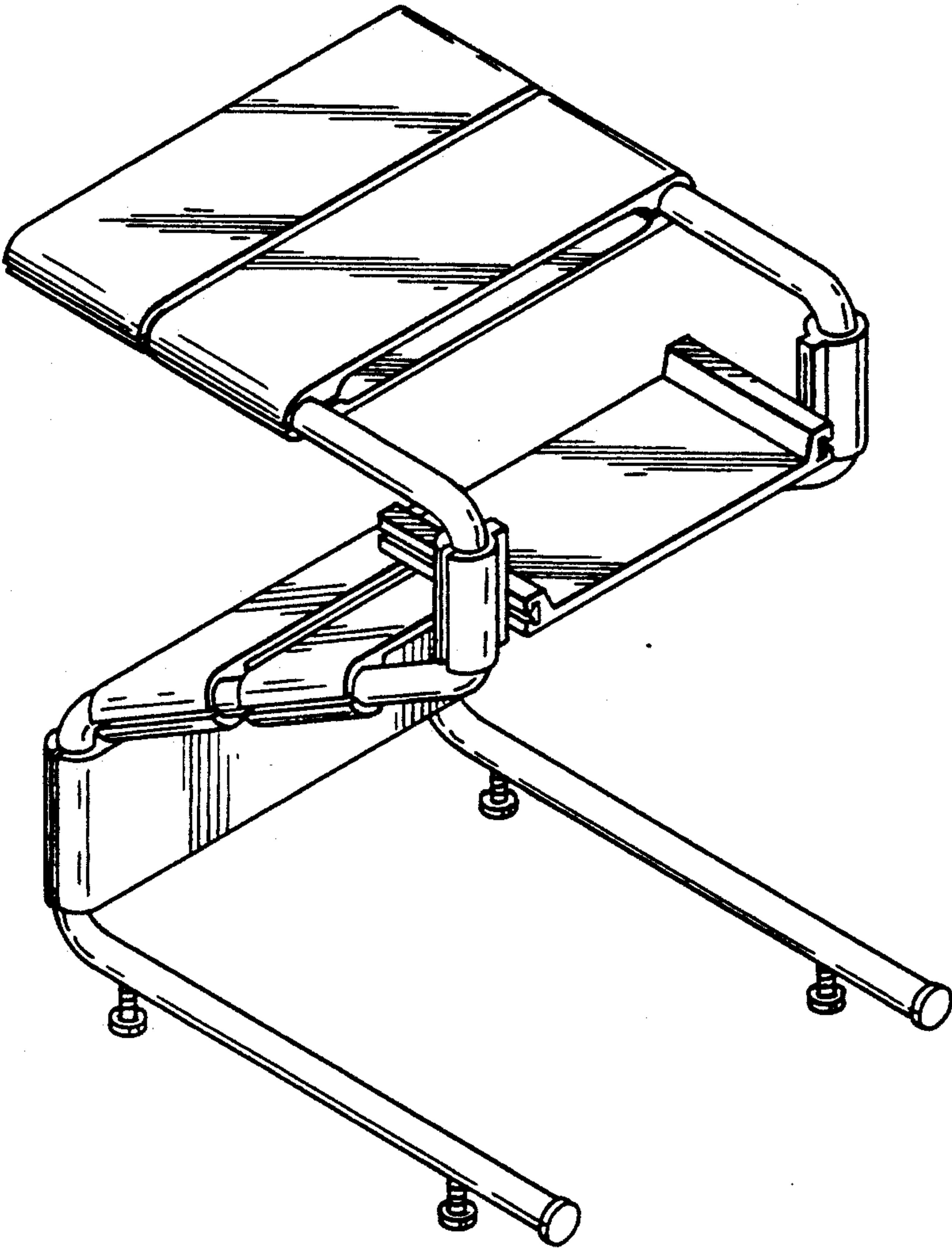


FIG. 8