



US00D335776S

United States Patent [19]

[11] Patent Number: **Des. 335,776**

Lamalle

[45] Date of Patent: **** May 25, 1993**

[54] ARMCHAIR

[75] Inventor: **Christian Lamalle, Saint Ismier, France**

[73] Assignee: **Allibert S.A., Grenoble, France**

[**] Term: **14 Years**

[21] Appl. No.: **626,858**

[22] Filed: **Dec. 13, 1990**

[30] Foreign Application Priority Data

Jun. 14, 1990 [WO] World Int. Prop. O. DM/016919

[52] U.S. Cl. **D6/368; D6/369; D6/379**

[58] Field of Search **D6/334, 367, 368, 369, D6/370, 374, 375, 376, 379, 380, 500, 501, 502; 297/16, 17, 31, 418, 419**

[56] References Cited

U.S. PATENT DOCUMENTS

D. 329,557 9/1992 Hubert D6/502

OTHER PUBLICATIONS

Woodward & Lothrop Ad., Washington Post Magazine, Apr. 24, 1983, p. 50, chair at mid page left.

Schöner Wohnen, May 1984, p. 280-F, chair at left.

Schöner Wohnen, Apr. 1985, p. 202-E, chair at top left.

Brown Jordan, ©1986, p. 51, chair #1720-2000 at top right.

Primary Examiner—Alan P. Douglas

Assistant Examiner—Gary D. Watson

Attorney, Agent, or Firm—Foley & Lardner

[57] CLAIM

The ornamental design for an armchair, as shown and described.

DESCRIPTION

FIG. 1 is a front perspective view of an armchair showing my new design;

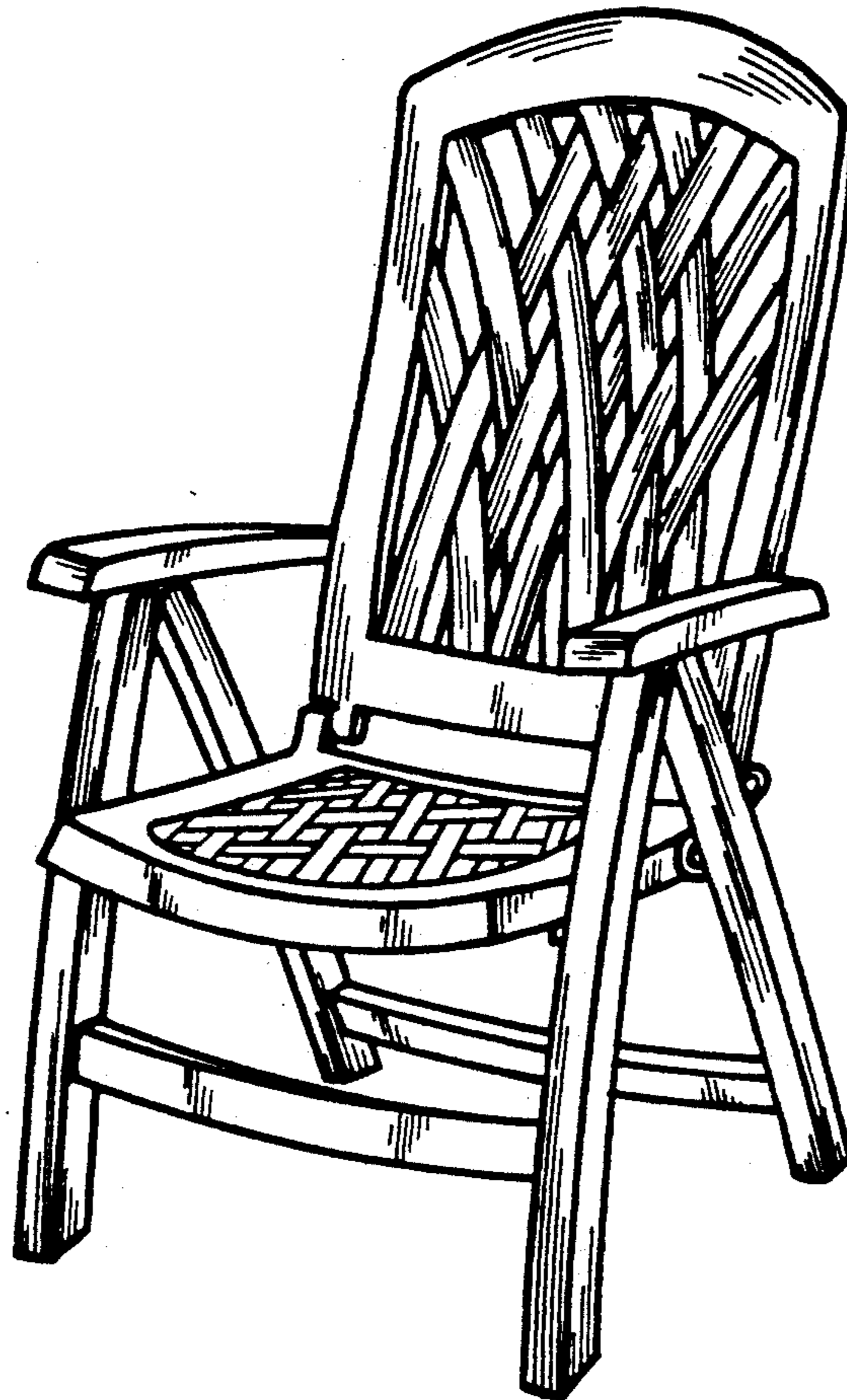
FIG. 2 is a front view thereof;

FIG. 3 is a top view thereof;

FIG. 4 is a bottom view thereof;

FIG. 5 is a side view thereof; and,

FIG. 6 is a rear view thereof.



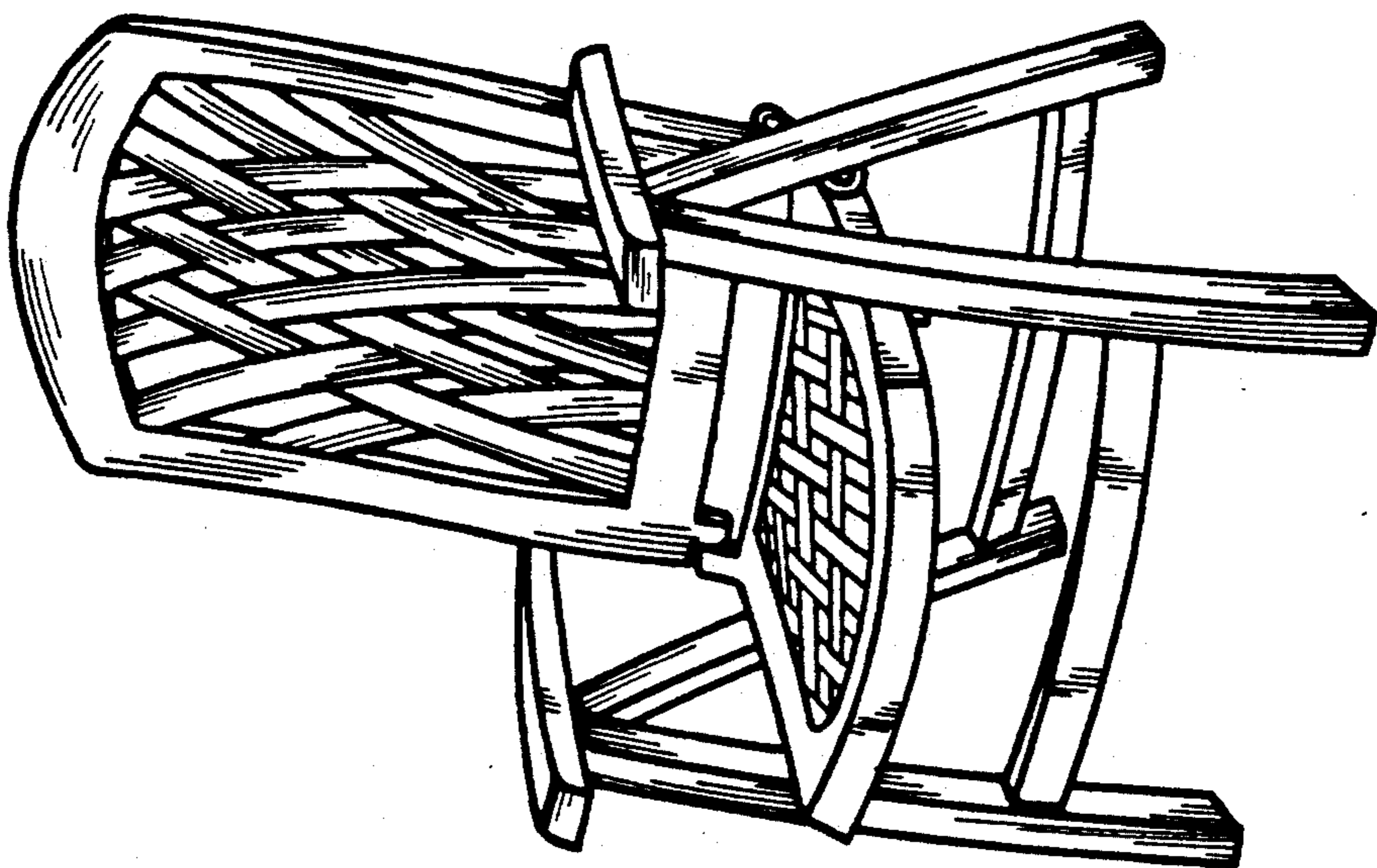


FIG. 1

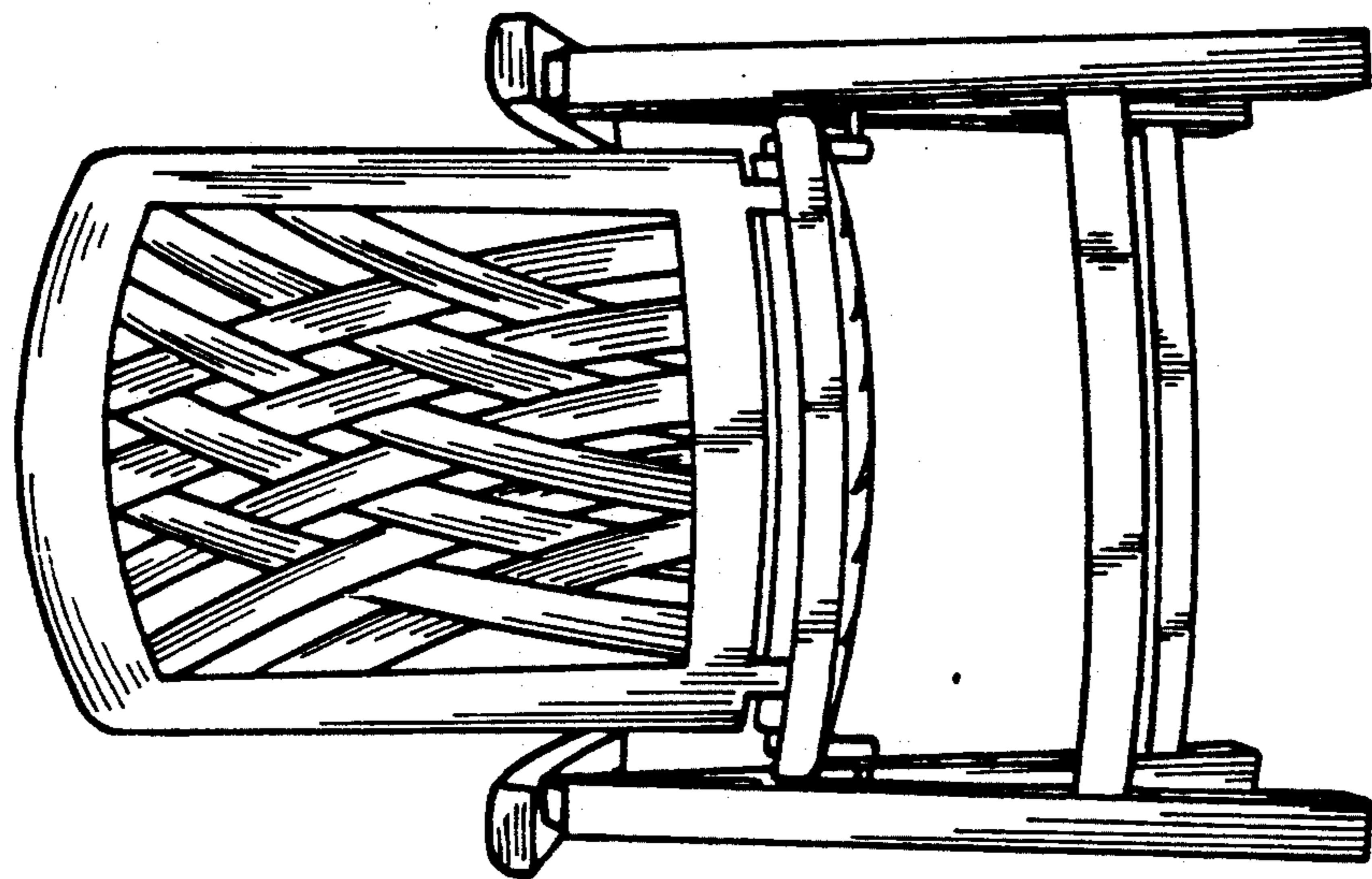


FIG. 2

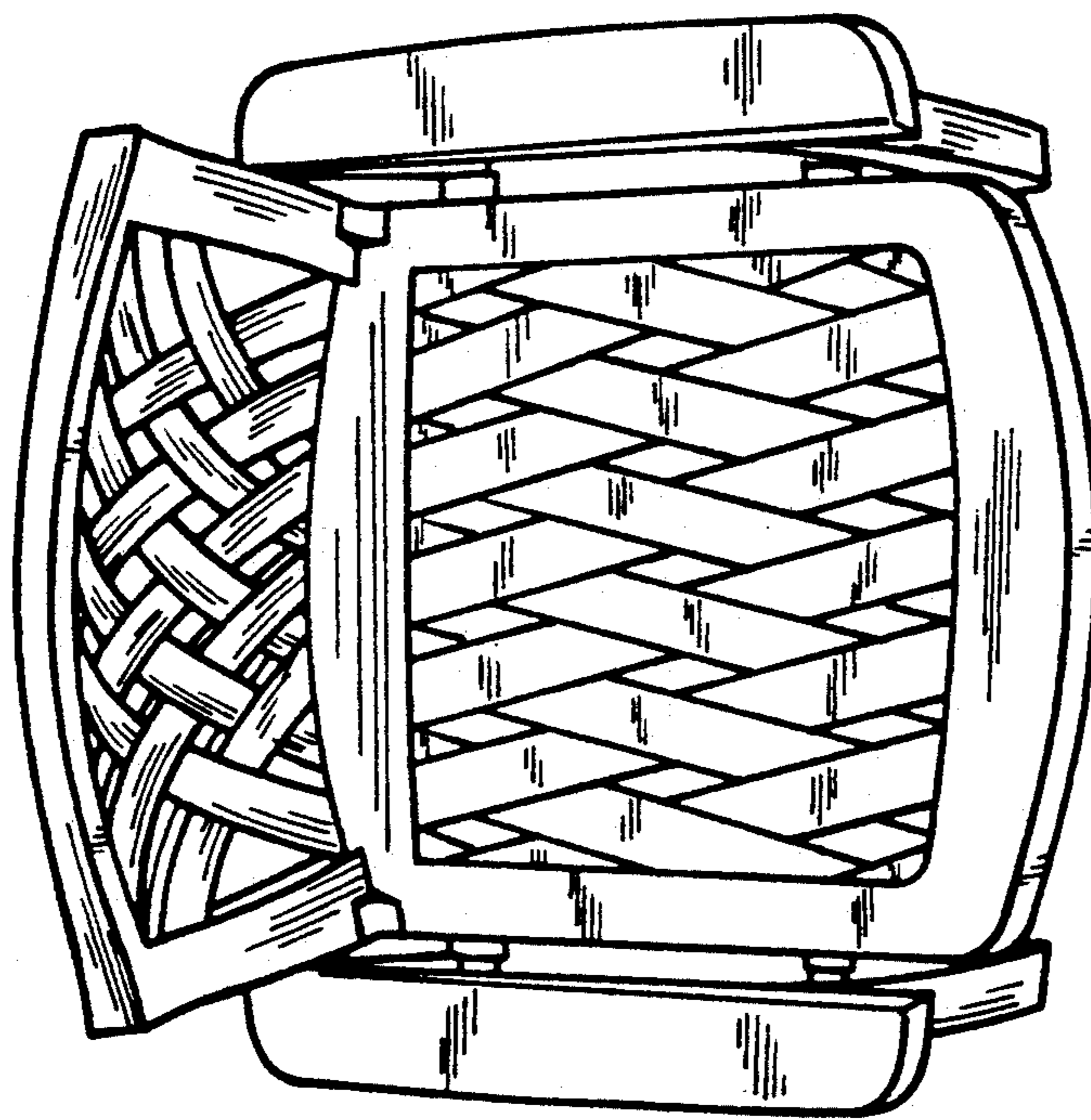


FIG. 3

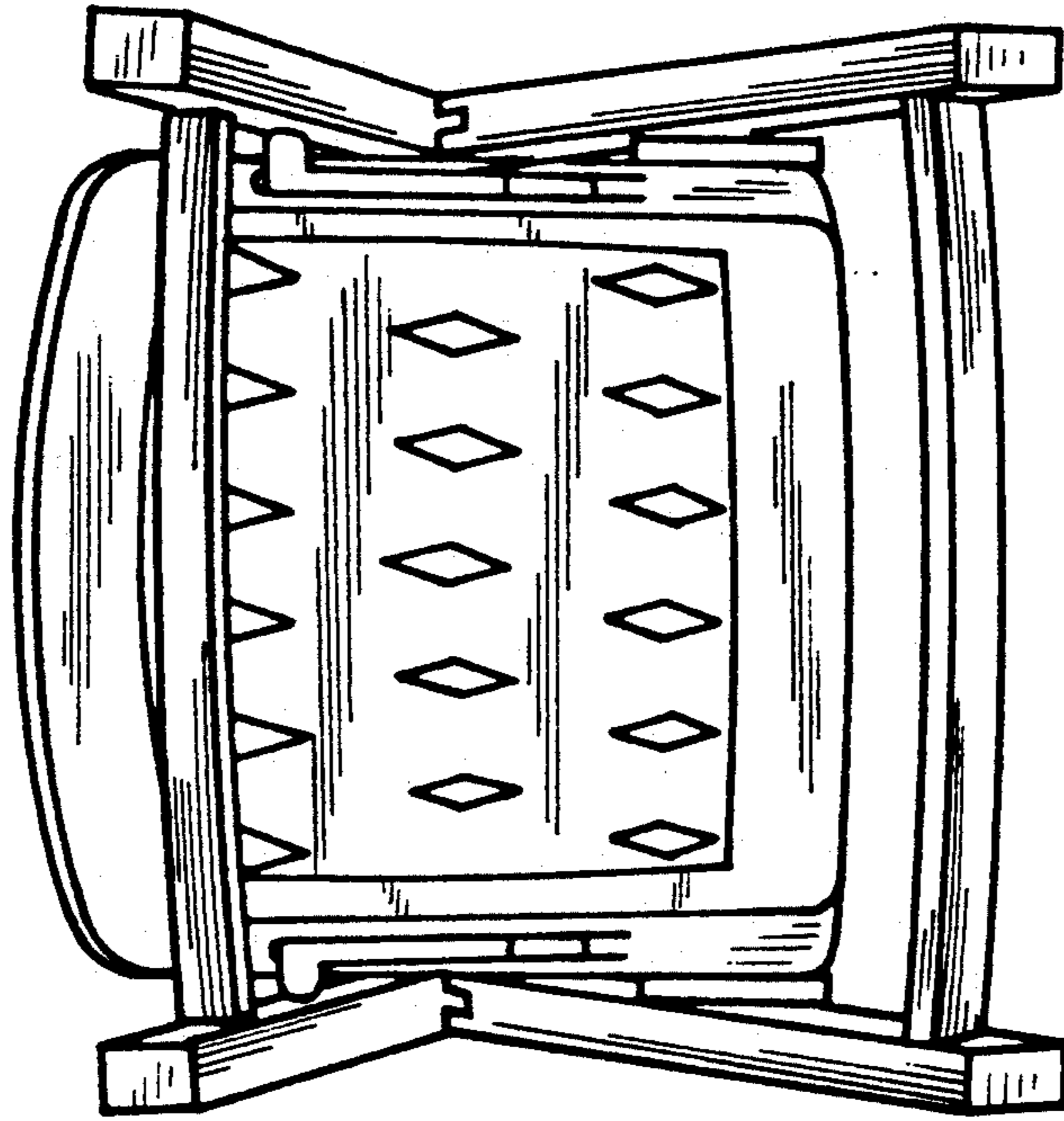


FIG. 4

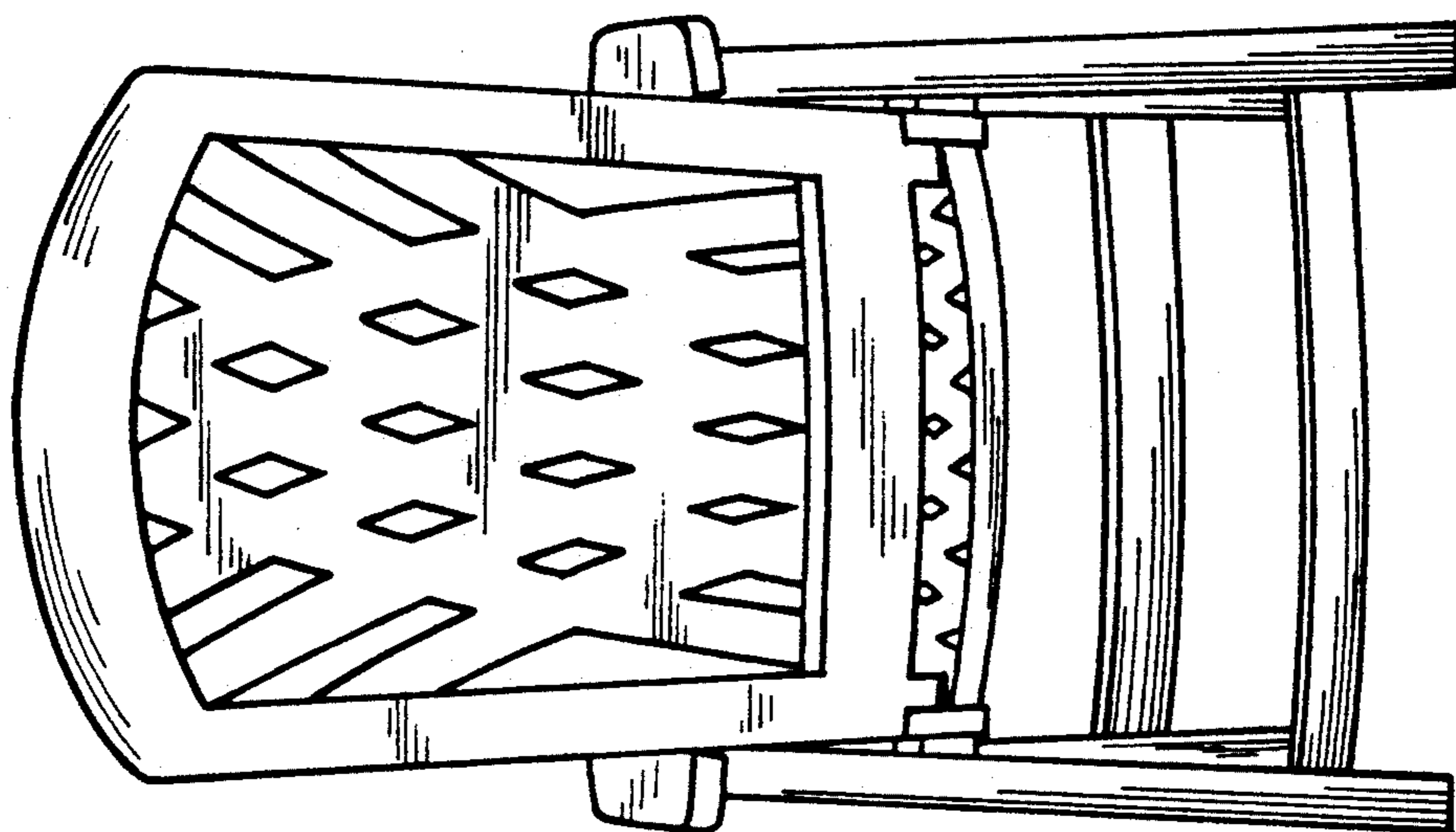


FIG. 6

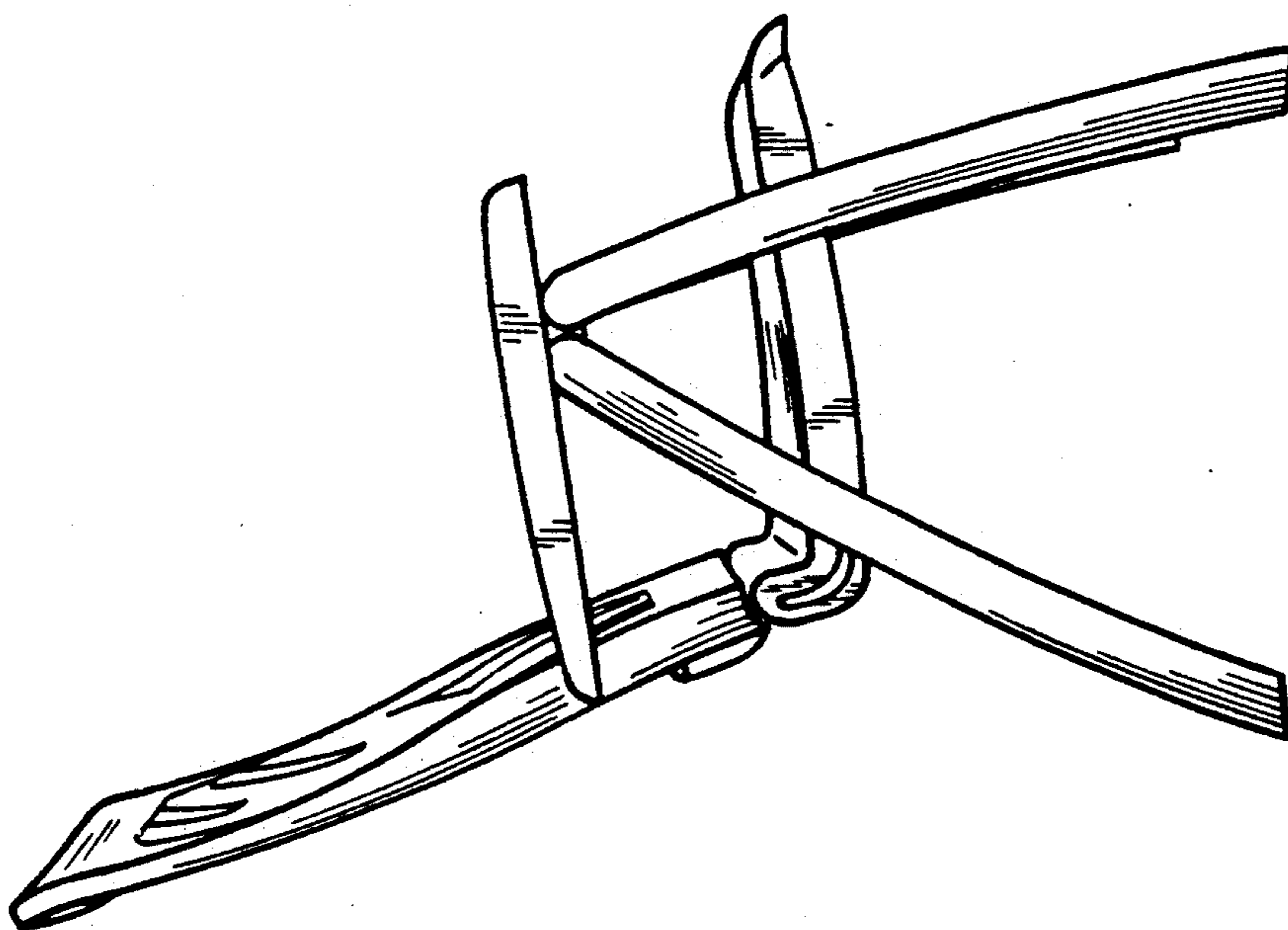


FIG. 5