



US00D335773S

United States Patent [19]

[11] Patent Number: **Des. 335,773**

Douglas

[45] Date of Patent: **** May 25, 1993**

[54] CHAIR
[75] Inventor: **Shannar Douglas, Berkshire, Great Britain**

2,592,912 4/1952 Knipper 297/192 X
2,966,204 12/1960 Caravias 297/192 X
3,051,540 8/1962 Wood 297/192 X
3,545,809 11/1968 Krenz 297/192 X

[73] Assignee: **Bagit Limited, Berkshire, United Kingdom**

Primary Examiner—Alan P. Douglas
Assistant Examiner—Monica A. Harron
Attorney, Agent, or Firm—Gottlieb, Rackman & Reisman

[**] Term: **14 Years**

[21] Appl. No.: **602,941**

[57] CLAIM

[22] Filed: **Oct. 24, 1990**

The ornamental design for a chair, as shown and described.

[30] Foreign Application Priority Data

Apr. 24, 1990 [GB] United Kingdom 2,006,368
[52] U.S. Cl. **D6/336; D6/335**
[58] Field of Search **D6/335, 336; 297/192, 297/194, 452**

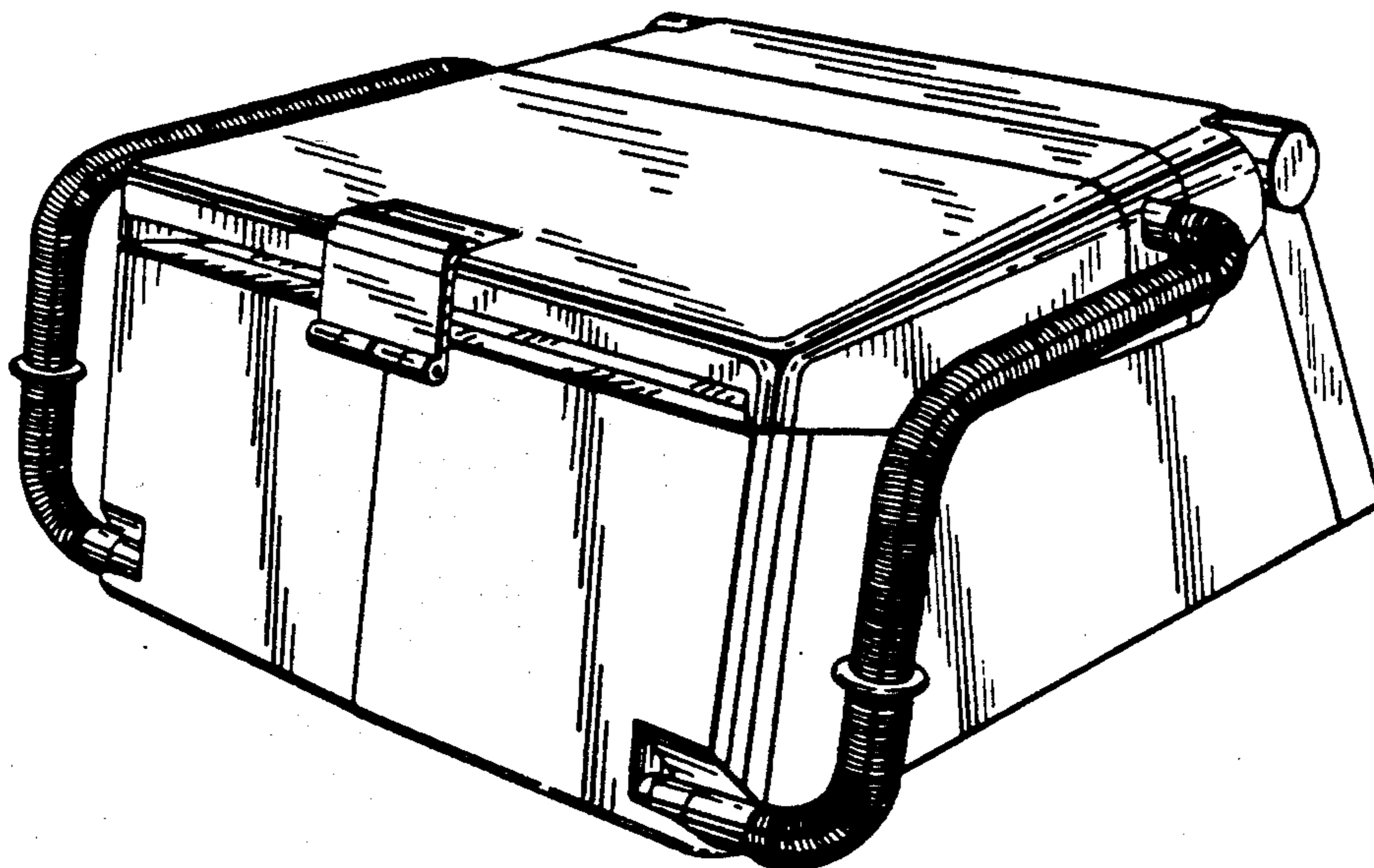
DESCRIPTION

FIG. 1 is a perspective view of a chair showing my new design;
FIG. 2 is a rear perspective view thereof;
FIG. 3 is a bottom plan view thereof;
FIG. 4 is a front perspective view of the chair in an open position thereof; and,
FIG. 5 is a rear perspective view of the chair in an open position thereof.

[56] References Cited

U.S. PATENT DOCUMENTS

D. 298,186 10/1988 Brannon D6/336
D. 313,894 1/1991 Tiramani D6/336



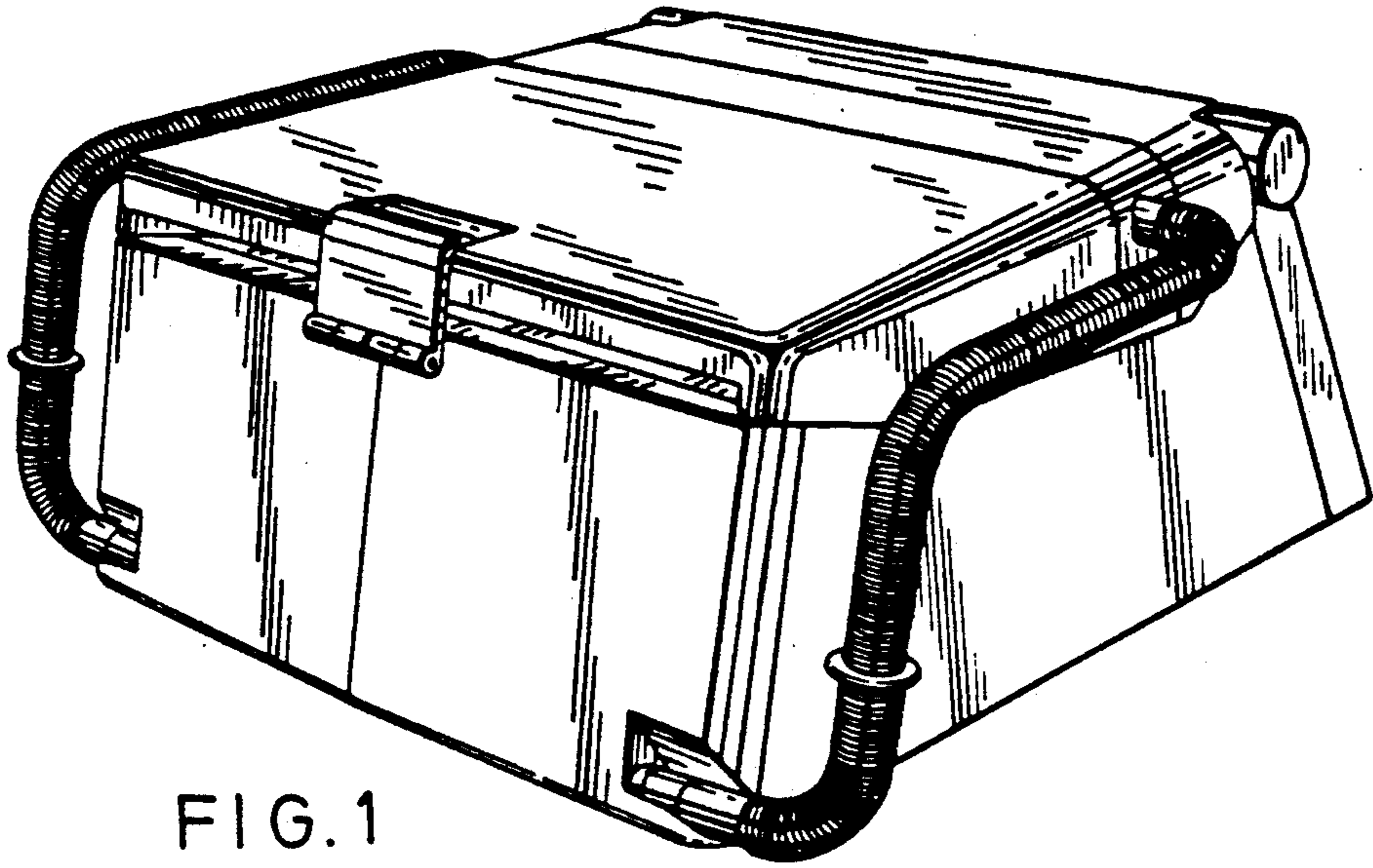


FIG. 1

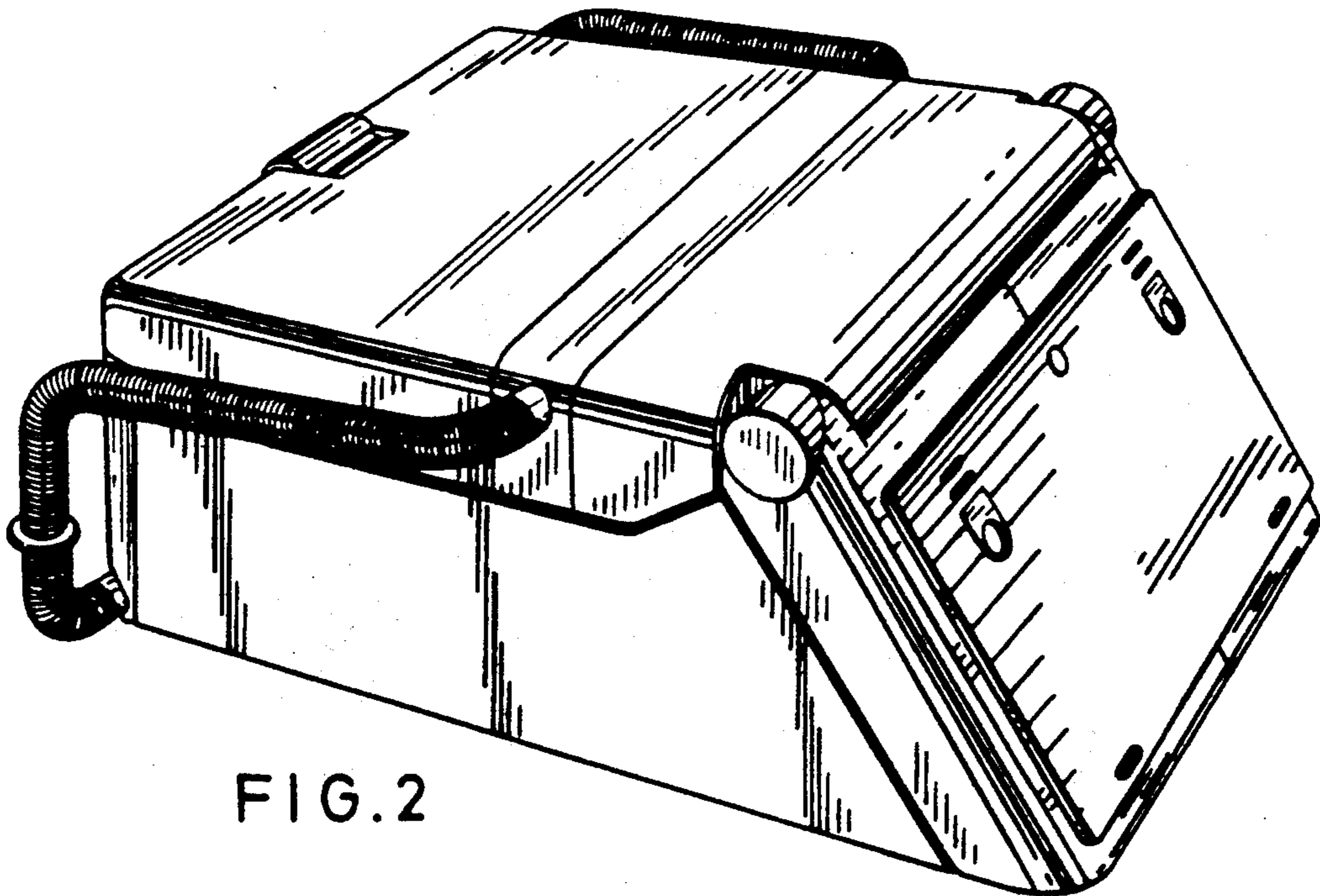


FIG. 2

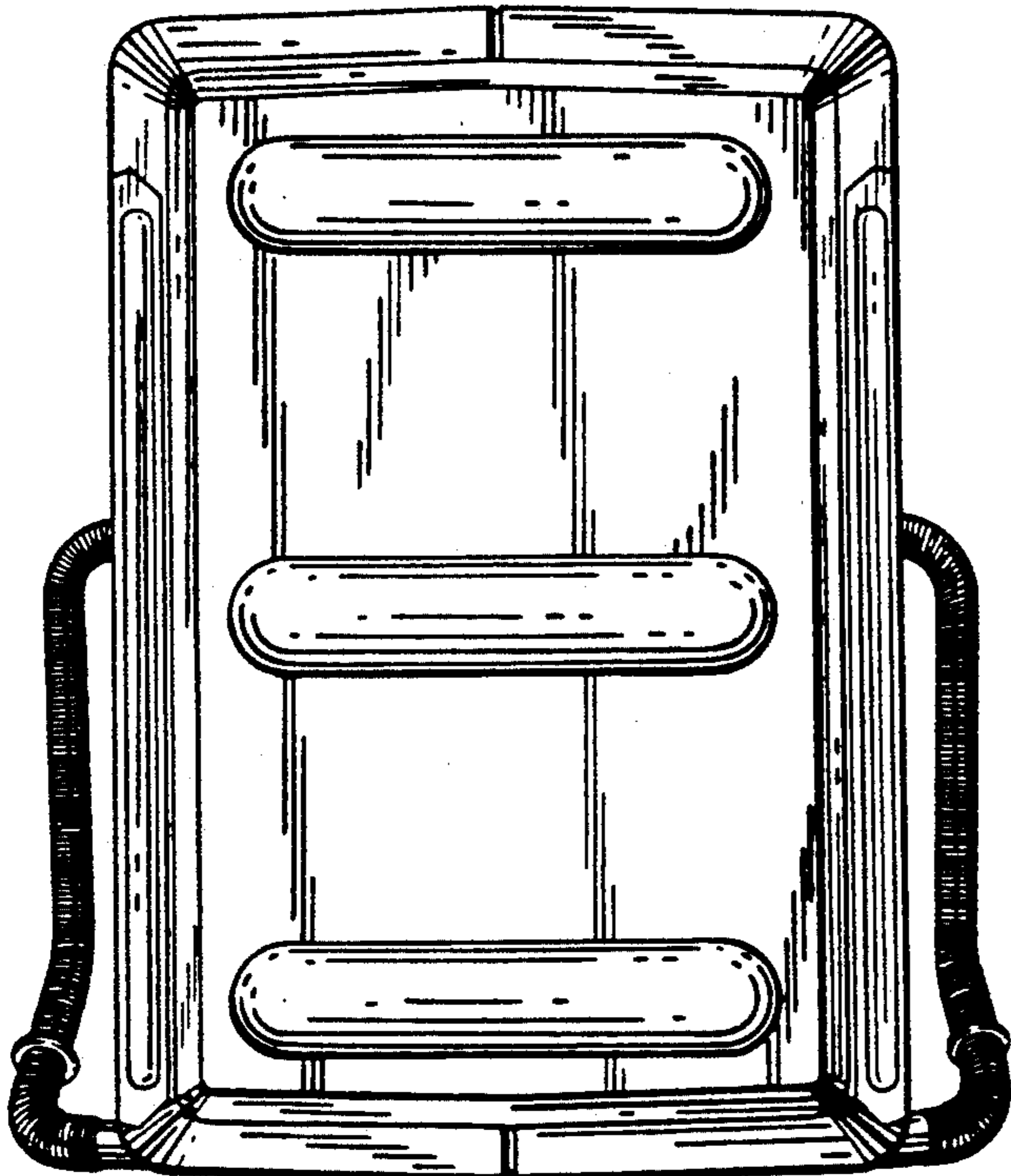


FIG. 3

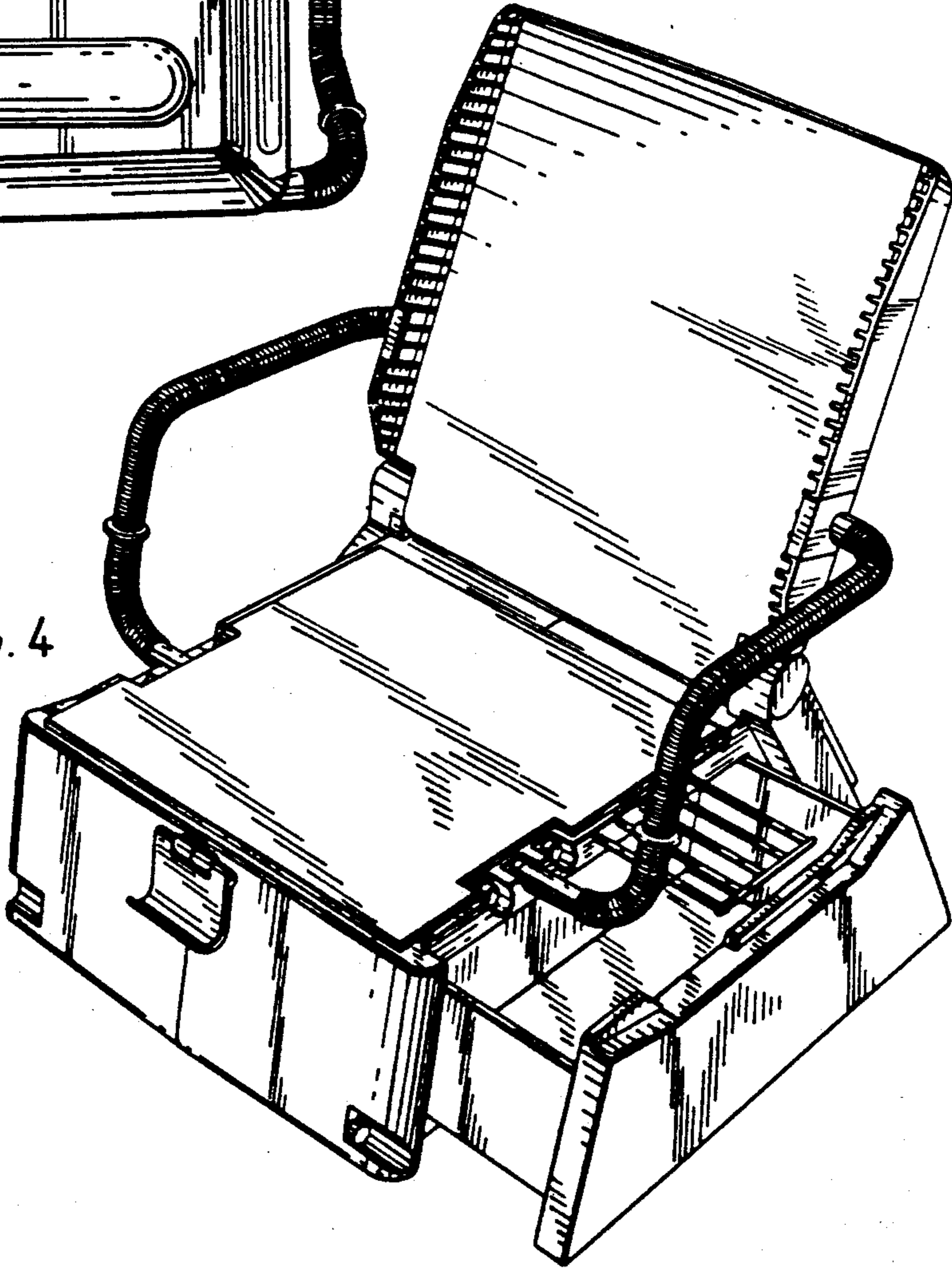


FIG. 4

FIG. 5

