



US00D335766S

United States Patent [19]

[11] Patent Number: **Des. 335,766**

Ekholm

[45] Date of Patent: **** May 25, 1993**

[54] **HOLDER FOR GLASSES CASE IN AN AUTOMOBILE**

[76] Inventor: **Tomas Ekholm, Maria Prästgårdsgata 1C, S-118 32 Stockholm, Sweden**

[**] Term: **14 Years**

[21] Appl. No.: **605,088**

[22] Filed: **Oct. 31, 1990**

[30] **Foreign Application Priority Data**

May 2, 1990 [WO] World Int. Prop. O. 75 310

[52] U.S. Cl. **D3/34**

[58] Field of Search D3/40, 34; D24/206; D12/155-157, 191; D7/620, 623, 625; 224/312; 248/902

[56] **References Cited**

U.S. PATENT DOCUMENTS

D. 298,458 11/1988 Margolin et al. D24/206

D. 307,822 5/1990 Marks D3/34
D. 310,301 9/1990 Burrow D3/34
D. 329,540 9/1992 Kunes et al. D3/40
2,735,597 2/1956 Treleven 248/902
3,016,262 1/1962 Hunt D12/191 X

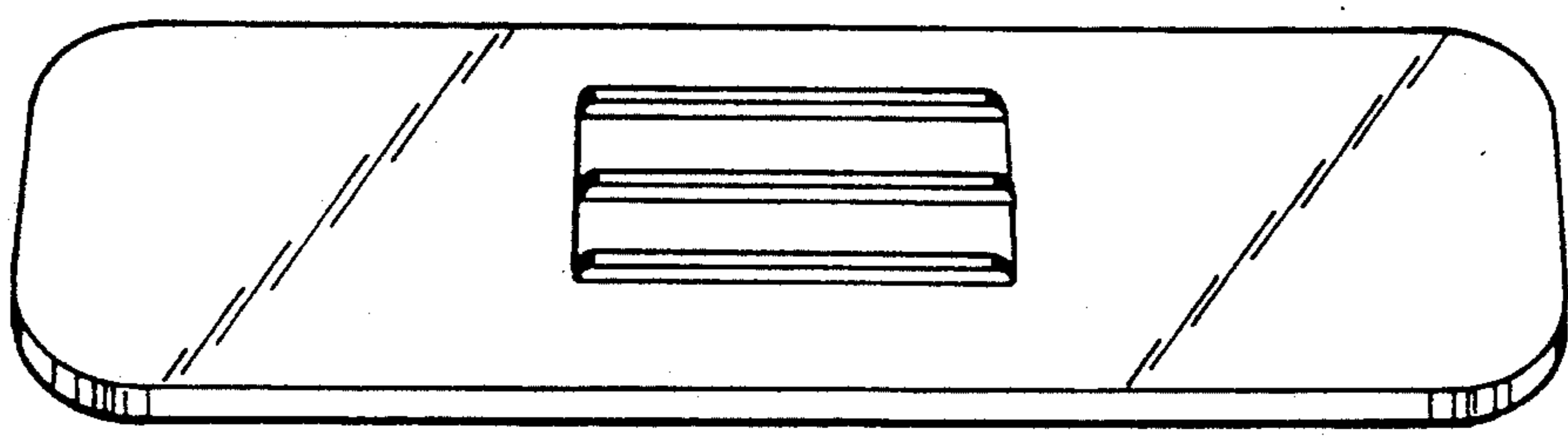
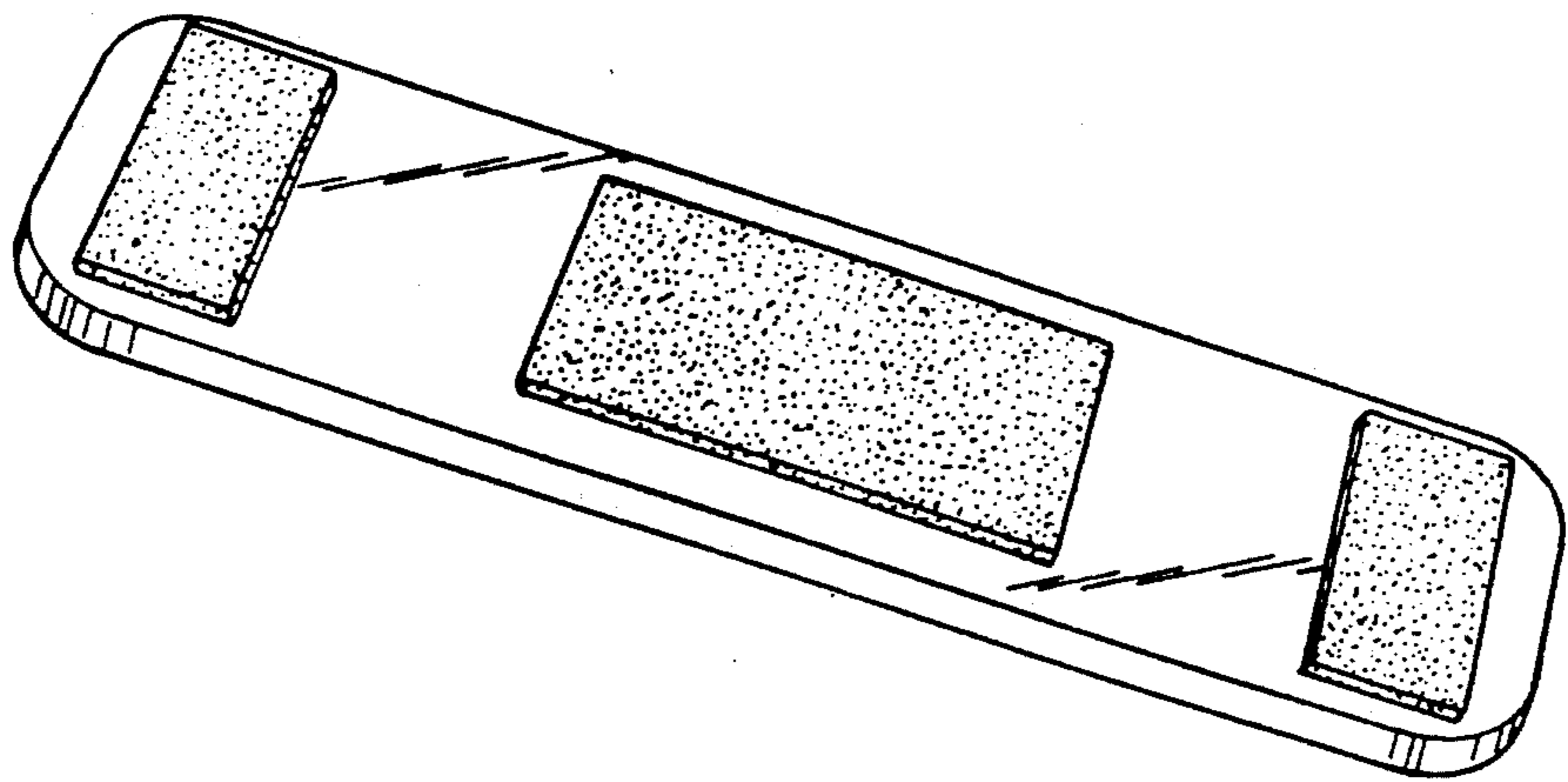
Primary Examiner—Louis S. Zarfes
Attorney, Agent, or Firm—Young & Thompson

[57] CLAIM

The ornamental design for a holder for glasses in an automobile, as shown.

DESCRIPTION

FIG. 1 is a perspective view of a holder for glasses in an automobile, showing my new design;
FIG. 2 is a perspective view of the opposite side thereof;
FIG. 3 is a perspective view of a modified form thereof; and,
FIG. 4 is a perspective view of the opposite side thereof.



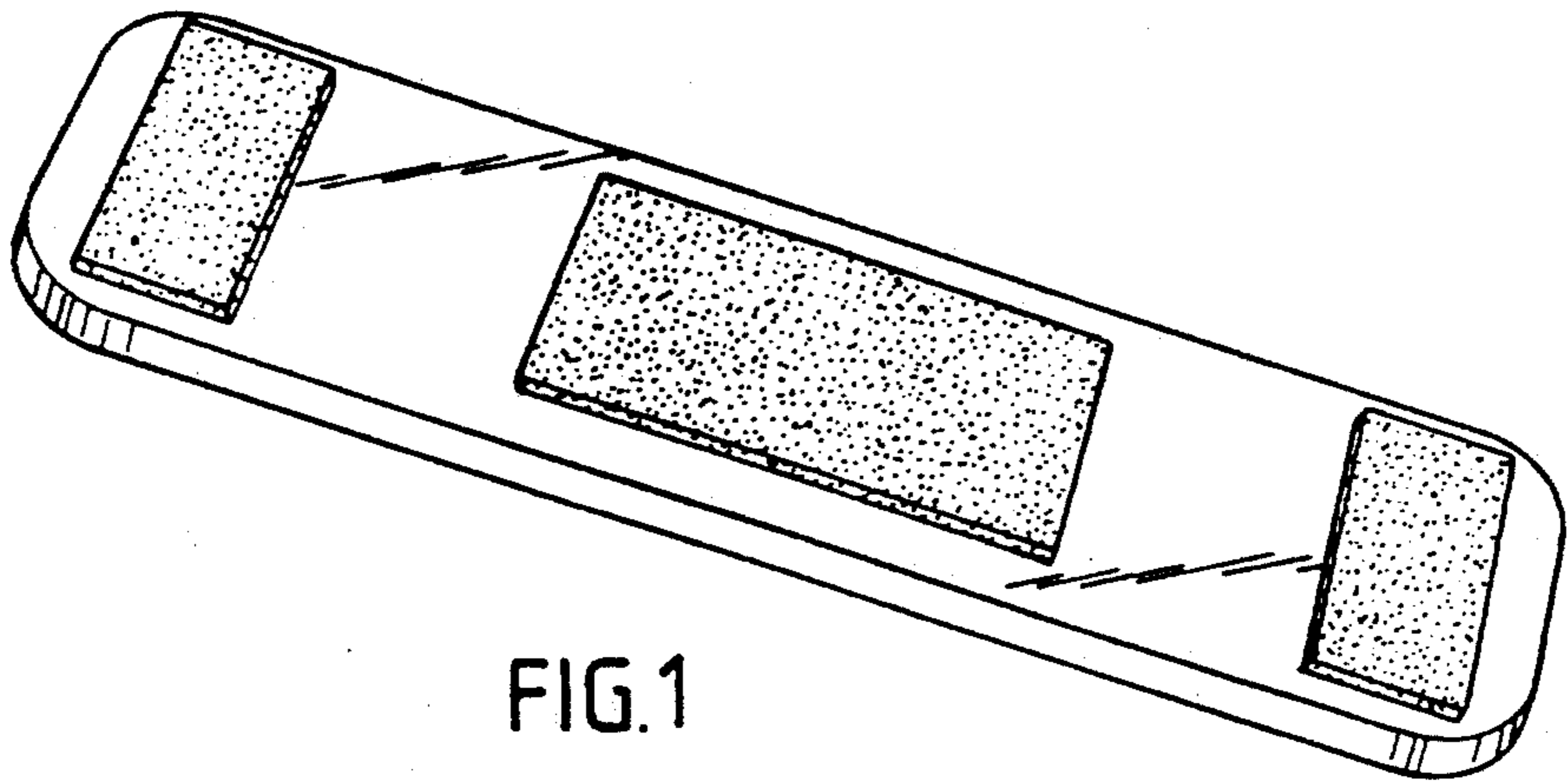


FIG. 1

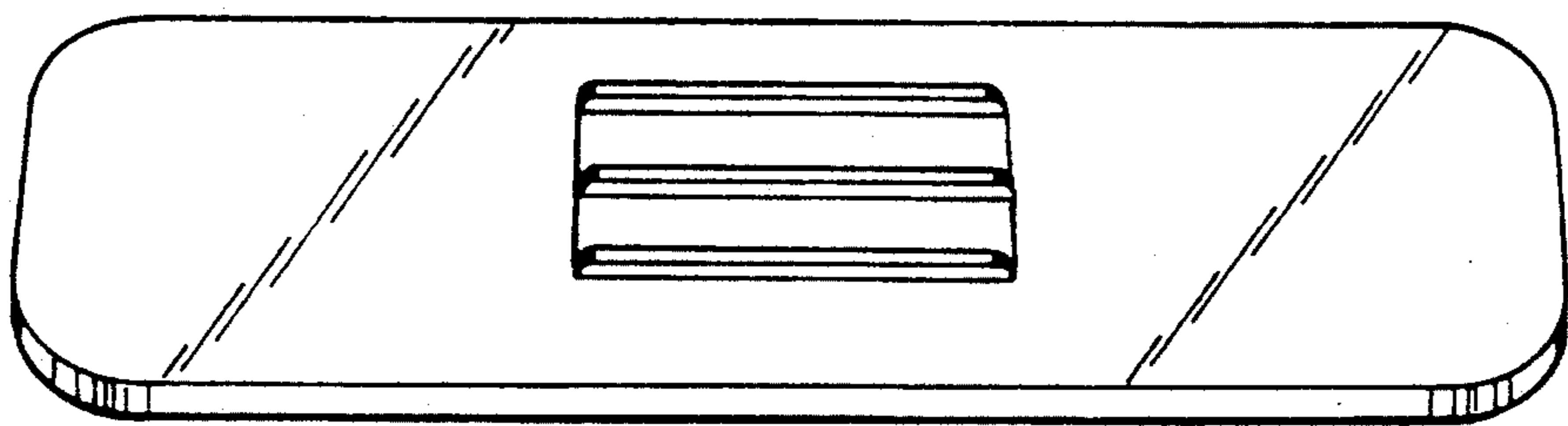


FIG. 2

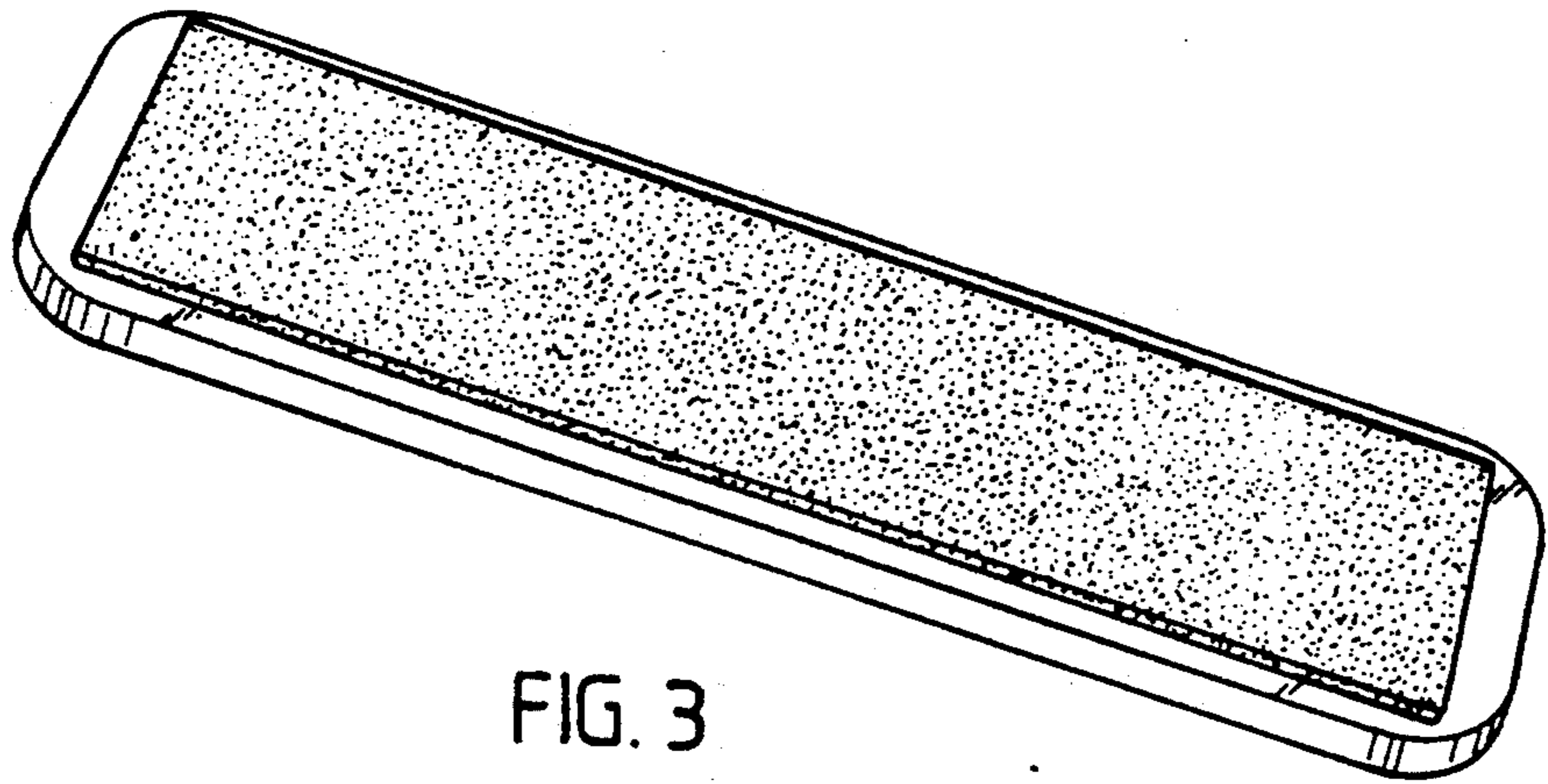


FIG. 3

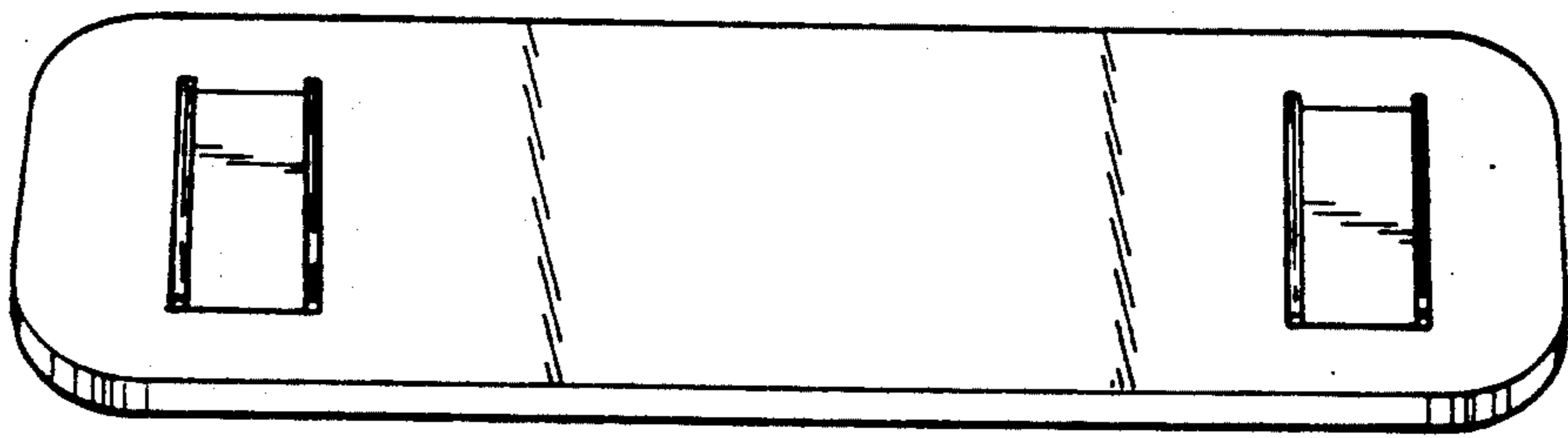


FIG. 4