



US00D335765S

United States Patent [19]

VanSkiver

[11] Patent Number: **Des. 335,765**

[45] Date of Patent: **** May 25, 1993**

[54] CAMERA CASE

2,290,307 7/1942 Wicker 206/316.2

[75] Inventor: **Ralph VanSkiver, Arlington, Tex.**

FOREIGN PATENT DOCUMENTS

[73] Assignee: **Doskocil Manufacturing Company, Inc., Arlington, Tex.**

1103584 2/1968 United Kingdom 206/316.2

[**] Term: **14 Years**

Primary Examiner—A. Hugo Word
Assistant Examiner—Celia A. Murphy
Attorney, Agent, or Firm—Andrew J. Dillon

[21] Appl. No.: **772,583**

[57] CLAIM

[22] Filed: **Oct. 7, 1991**

The ornamental design for a camera case, as shown and described.

[52] U.S. Cl. **D3/33; D3/30.1; D3/76; D3/100**

[58] Field of Search **D3/30.1, 33, 34, 73, D3/74, 76, 100; D16/204, 208, 235, 133, 136; 190/901, 902; 206/316.2, 316.3; 224/908, 909**

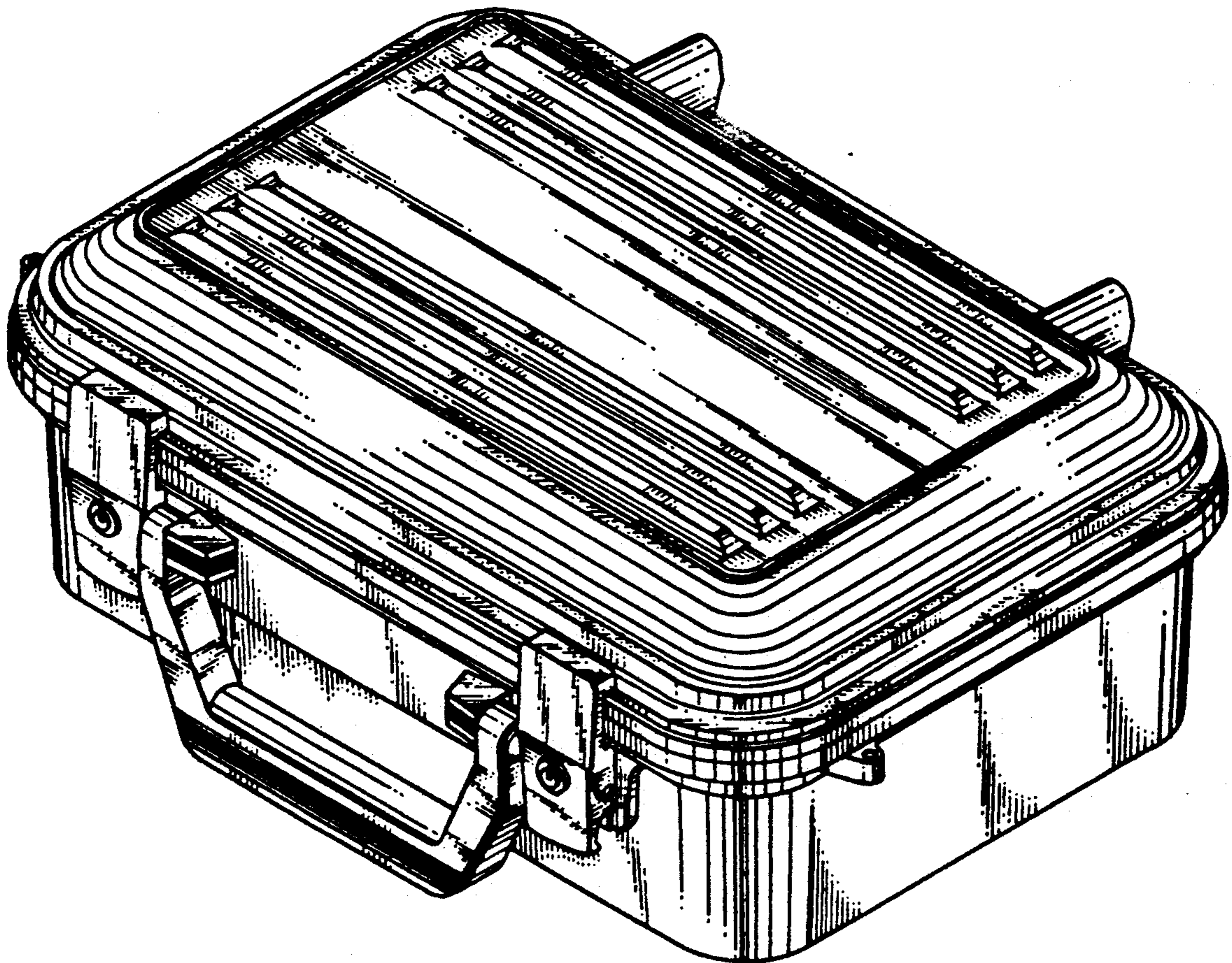
DESCRIPTION

[56] References Cited

U.S. PATENT DOCUMENTS

D. 196,164	8/1963	Platt	D3/76
D. 200,143	1/1965	Ronvik	D3/76
D. 237,588	11/1975	Sharp	D3/100
D. 284,527	7/1986	Davis	D3/76
D. 285,626	9/1986	Yen	D3/76
D. 289,486	11/1988	Jain	D3/76
D. 289,582	5/1987	Brush, Jr. et al.	D3/30.1
D. 316,331	4/1991	Bridges et al.	D3/14
D. 320,695	10/1991	Shim	D3/33

FIG. 1 is a perspective view of the camera case of the present invention;
FIG. 2 is a top view of the camera case of the present invention;
FIG. 3 is a left side view of the camera case of the present invention;
FIG. 4 is a front elevational view of the camera case of the present invention;
FIG. 5 is a right side view of the camera case of the present invention;
FIG. 6 is a rear elevational view of the camera case of the present invention; and,
FIG. 7 is a bottom view of the camera case of the present invention.



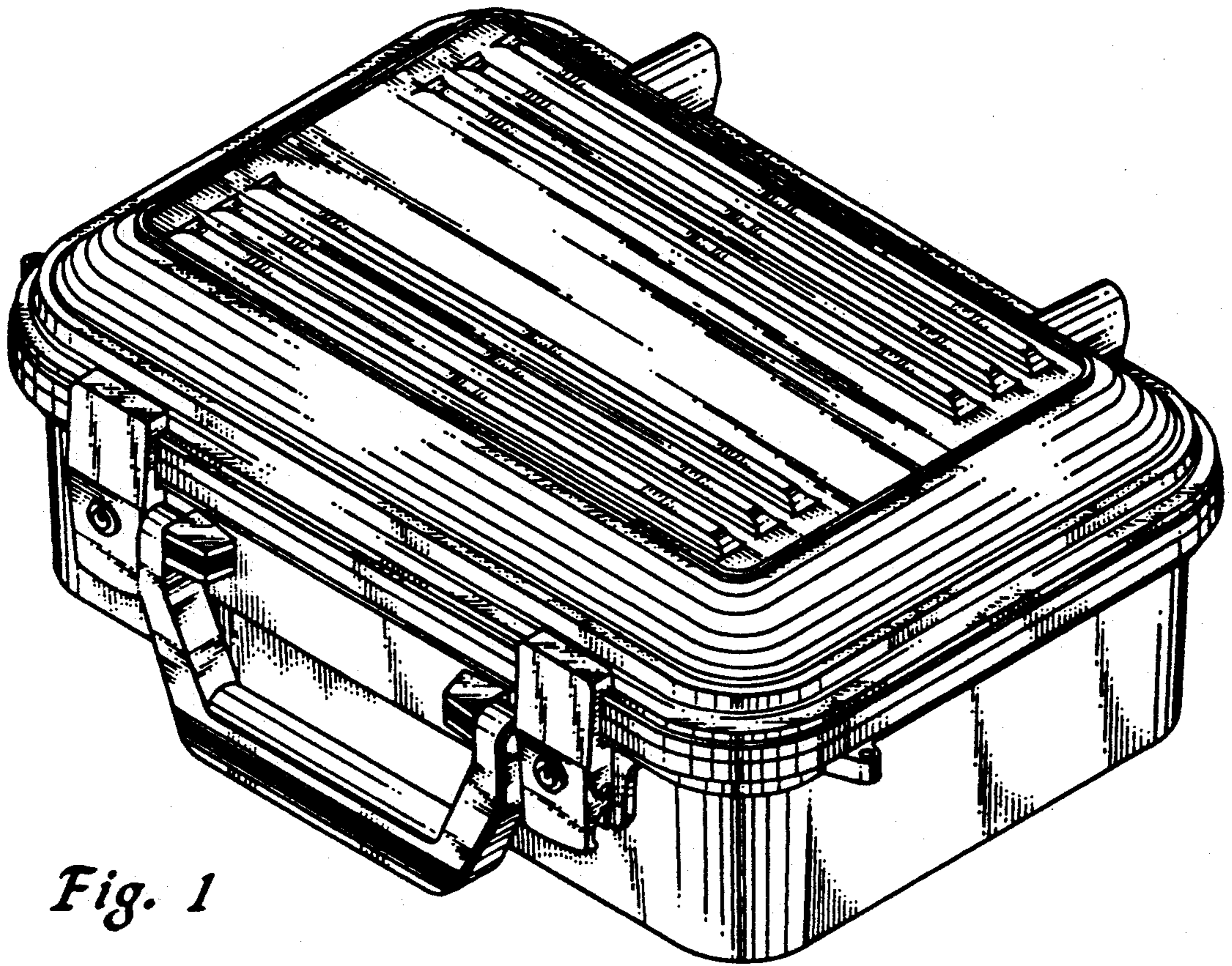


Fig. 1

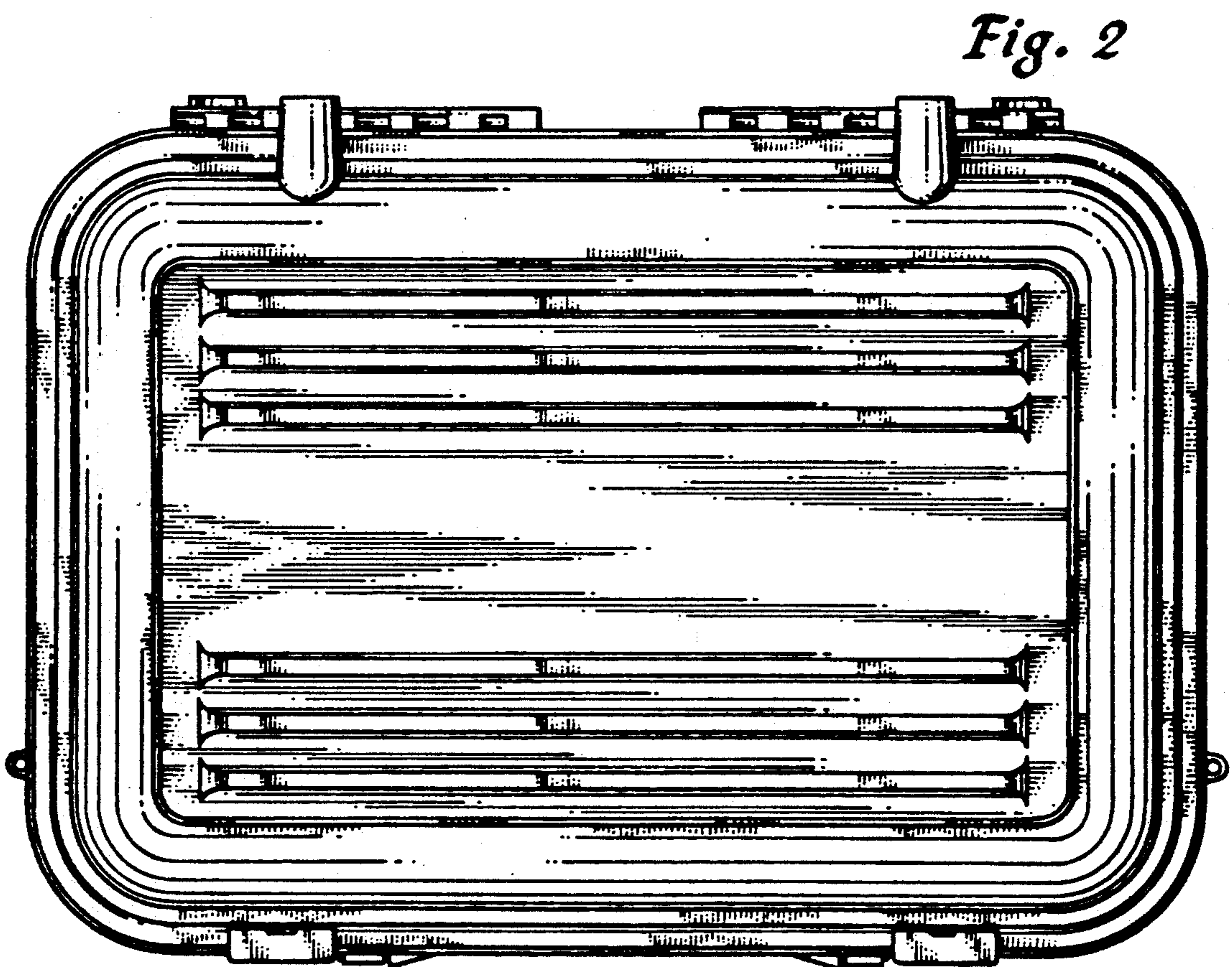


Fig. 2

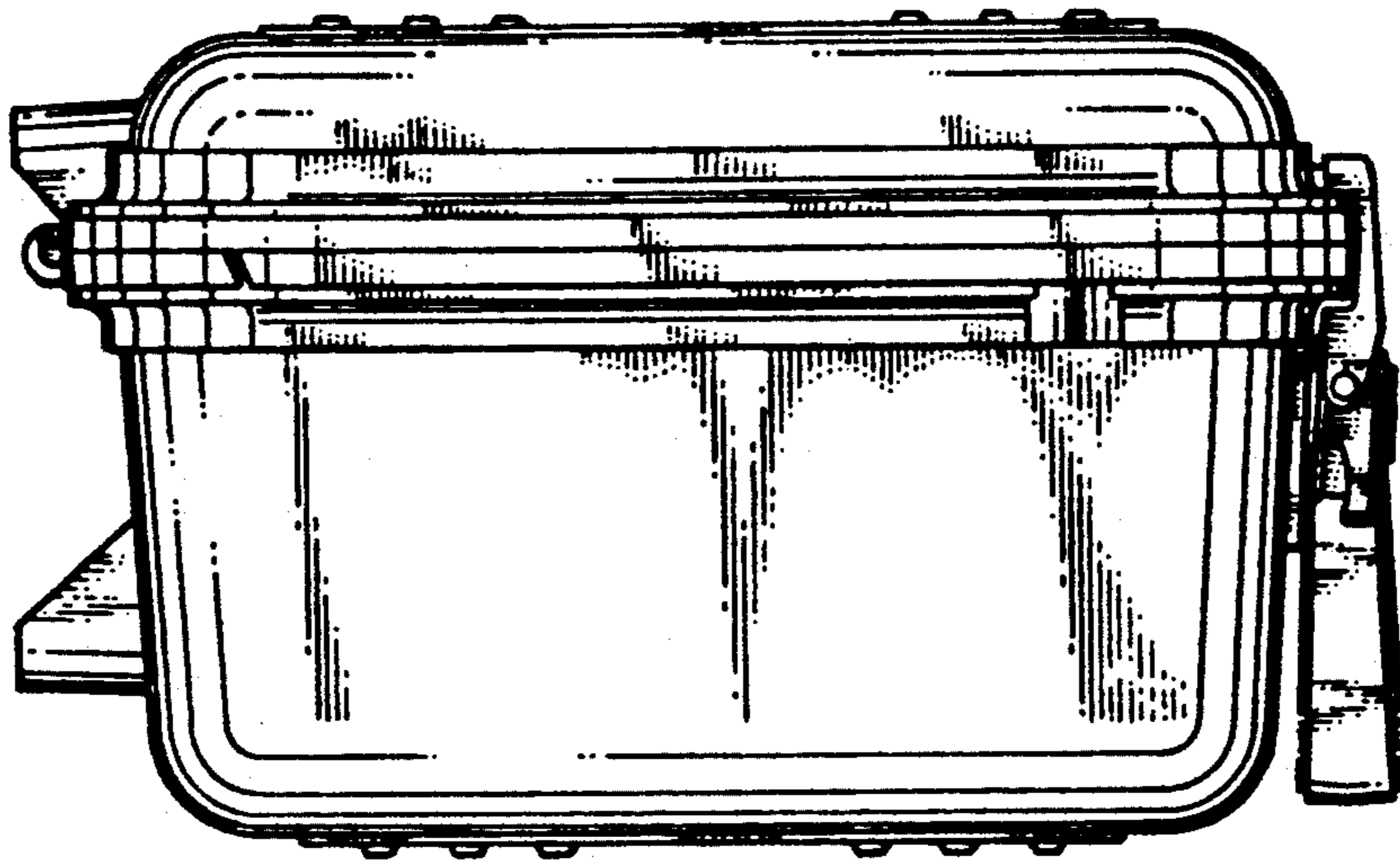


Fig. 3

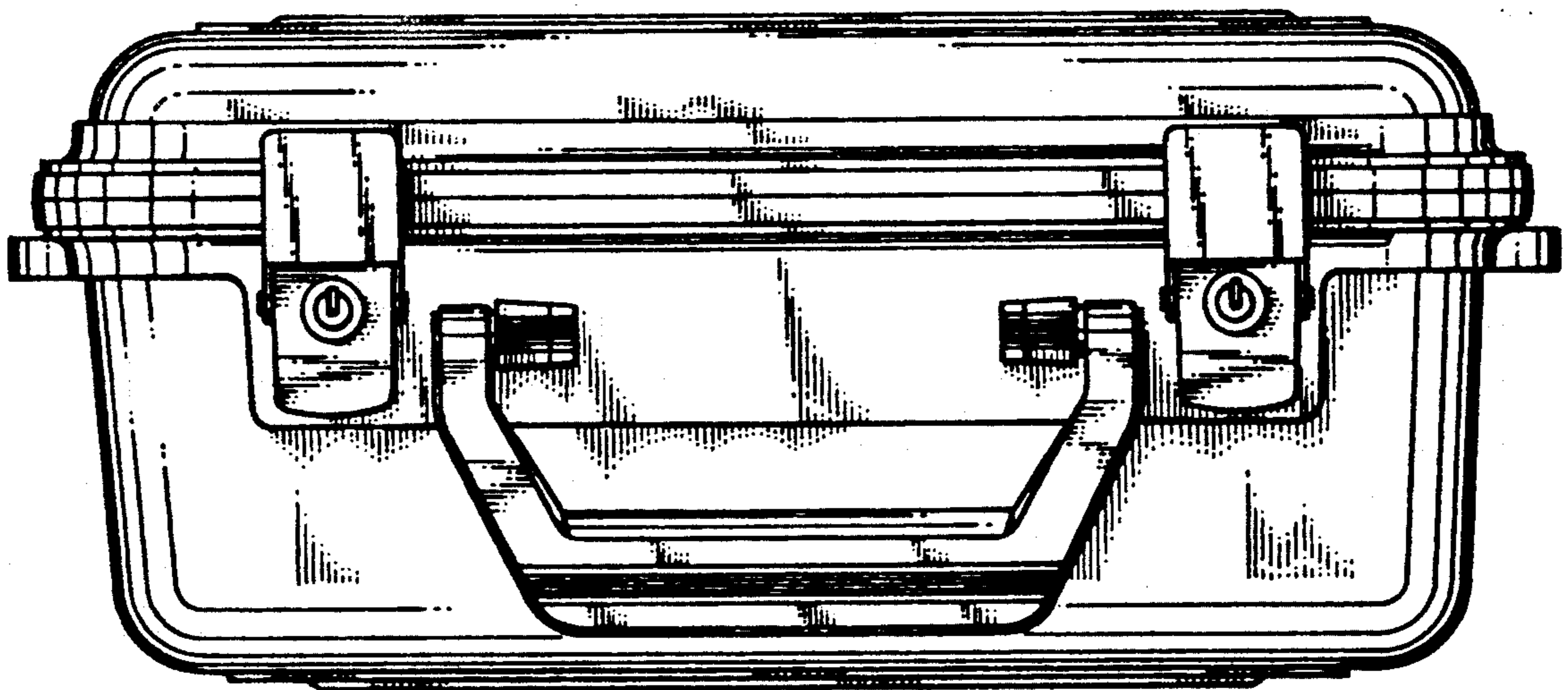


Fig. 4

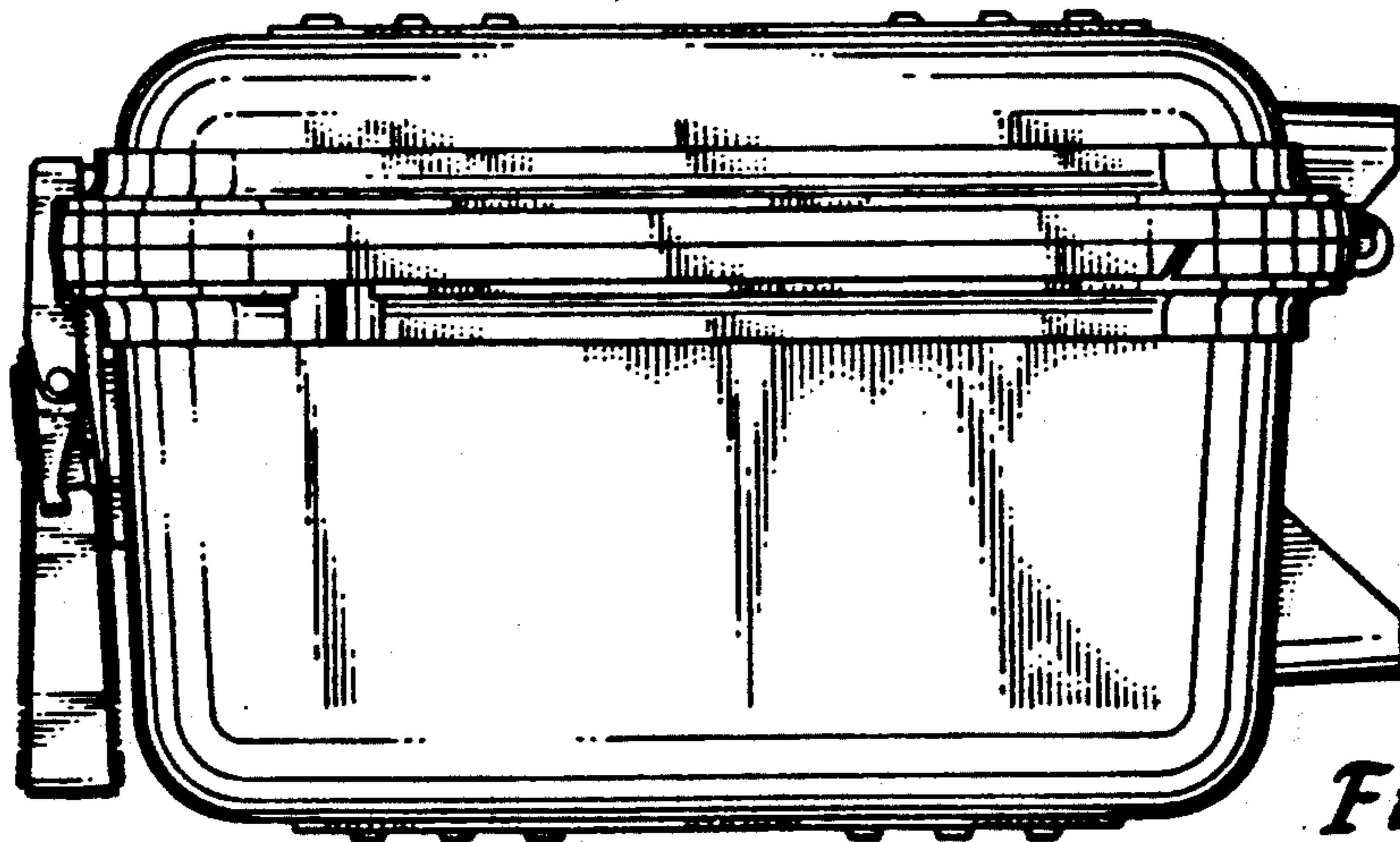


Fig. 5

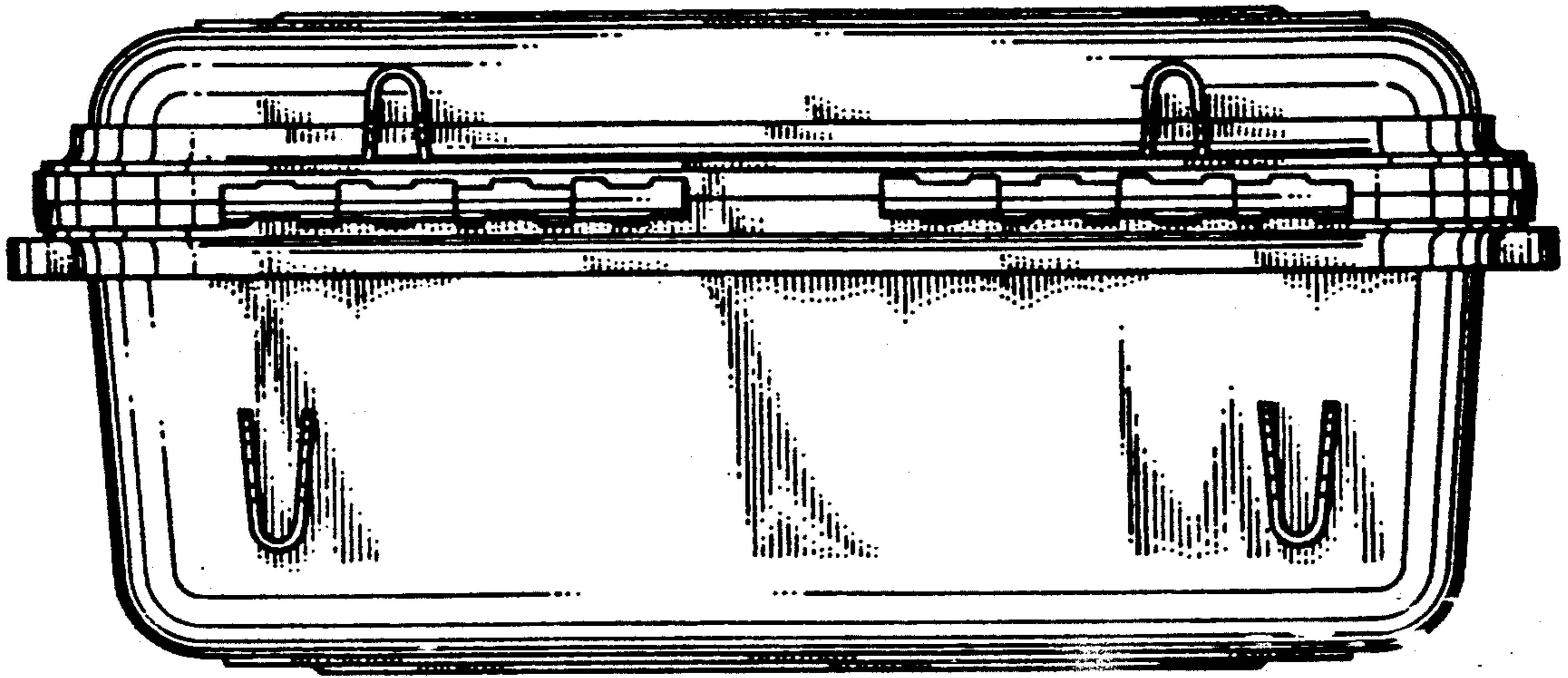


Fig. 6

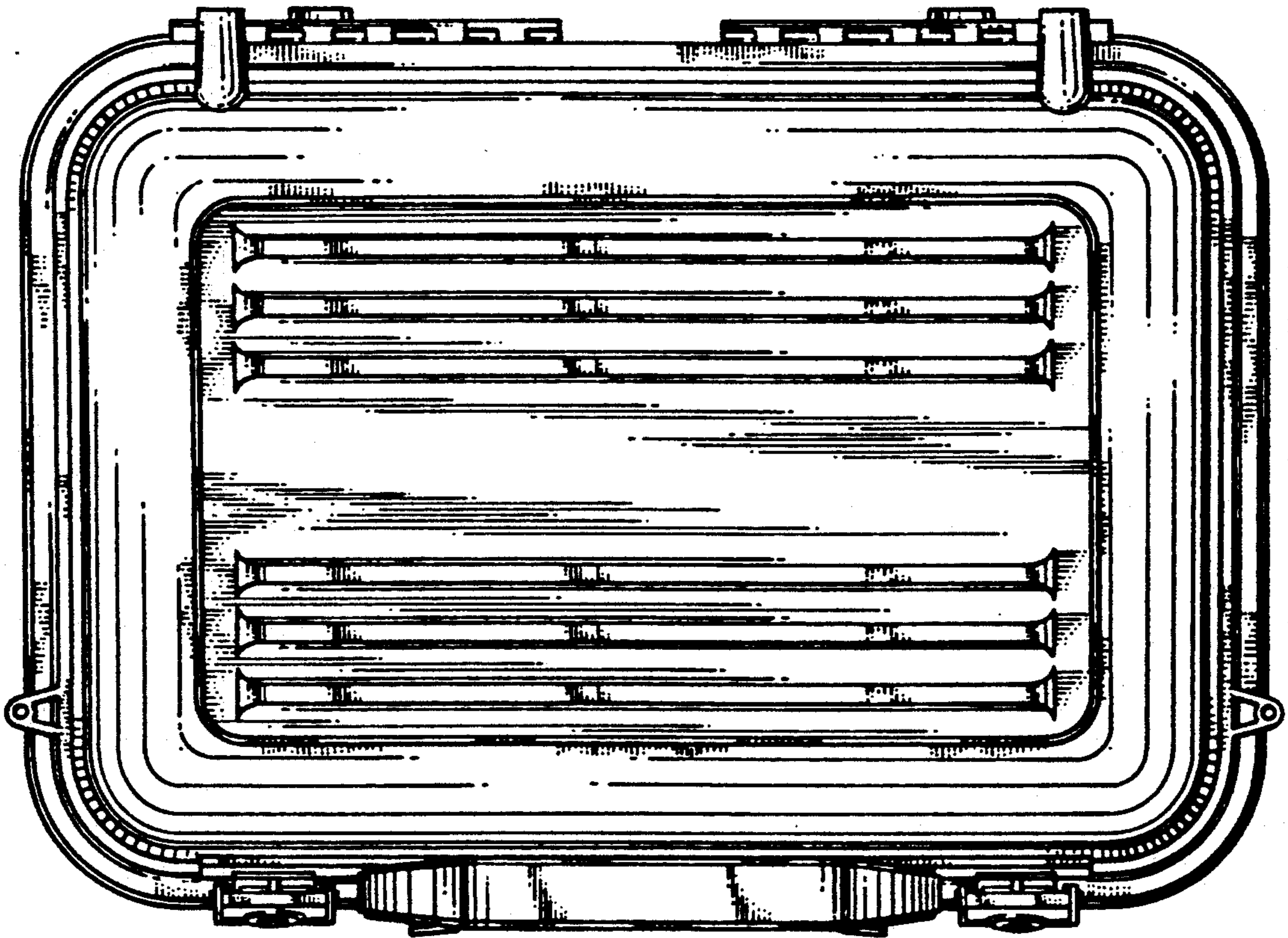


Fig. 7