



US00D335764S

United States Patent [19]

[11] Patent Number: Des. 335,764

VanSkiver

[45] Date of Patent: ** May 25, 1993

- [54] CAMERA CASE
- [75] Inventor: **Ralph VanSkiver**, Arlington, Tex.
- [73] Assignee: **Doskocil Manufacturing Company, Inc.**, Arlington, Tex.
- [**] Term: **14 Years**
- [21] Appl. No.: **772,582**
- [22] Filed: **Oct. 7, 1991**
- [52] U.S. Cl. **D3/33; D3/301; D3/100**
- [58] Field of Search **D3/30.1, 33, 34, 73, D3/74, 76, 100; D16/204, 208, 235, 133, 136; 190/901, 902; 206/316.2, 316.3; 224/908, 909**

- 2,713,807 7/1955 Herbert D3/100
- 2,718,833 9/1955 Rota 206/316.2
- 3,835,905 9/1974 Spruyt et al. 206/316.2

Primary Examiner—A. Hugo Word
Assistant Examiner—Celia Murphy
Attorney, Agent, or Firm—Andrew J. Dillon

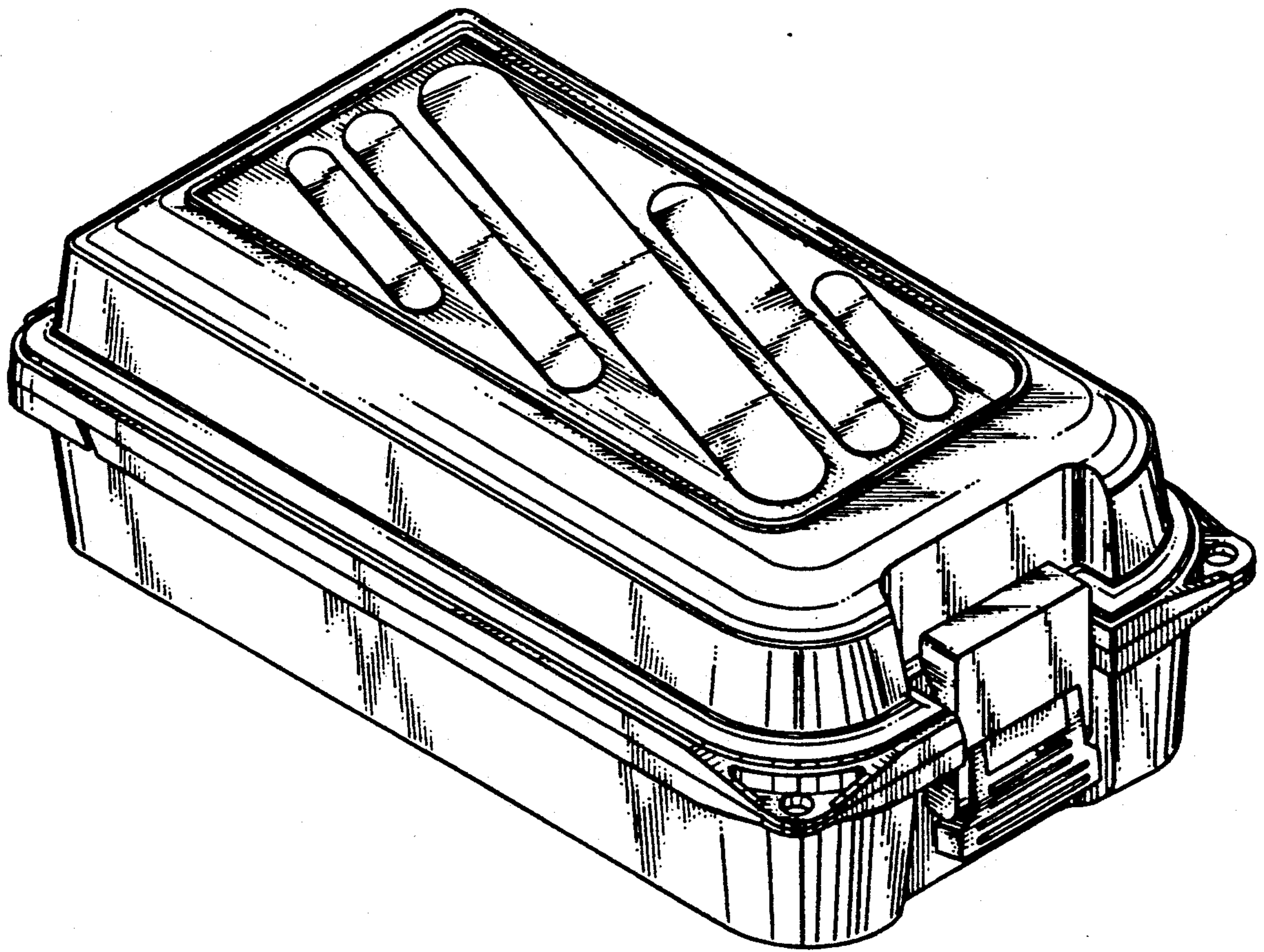
[57] CLAIM

The ornamental design for a camera case, as shown and described.

DESCRIPTION

FIG. 1 is a perspective view of the camera case of the present invention;
 FIG. 2 is a top view of the camera case of the present invention;
 FIG. 3 is a left side view of the camera case of the present invention;
 FIG. 4 is a front elevational view of the camera case of the present invention;
 FIG. 5 is a right side view of the camera case of the present invention;
 FIG. 6 is a rear elevational view of the camera case of the present invention; and,
 FIG. 7 is a bottom view of the camera case of the present invention.

- [56] **References Cited**
- U.S. PATENT DOCUMENTS**
- D. 237,588 11/1975 Sharp D3/100
- D. 237,611 11/1975 Minneman D3/100
- D. 283,137 3/1986 Hamar D3/30.1
- D. 294,082 2/1988 Ito D3/100
- D. 299,590 1/1989 Omiro D3/76
- D. 314,866 2/1991 Scott D3/30.1
- D. 316,331 4/1991 Bridges et al. D3/74
- D. 327,170 6/1992 Maloney D3/76



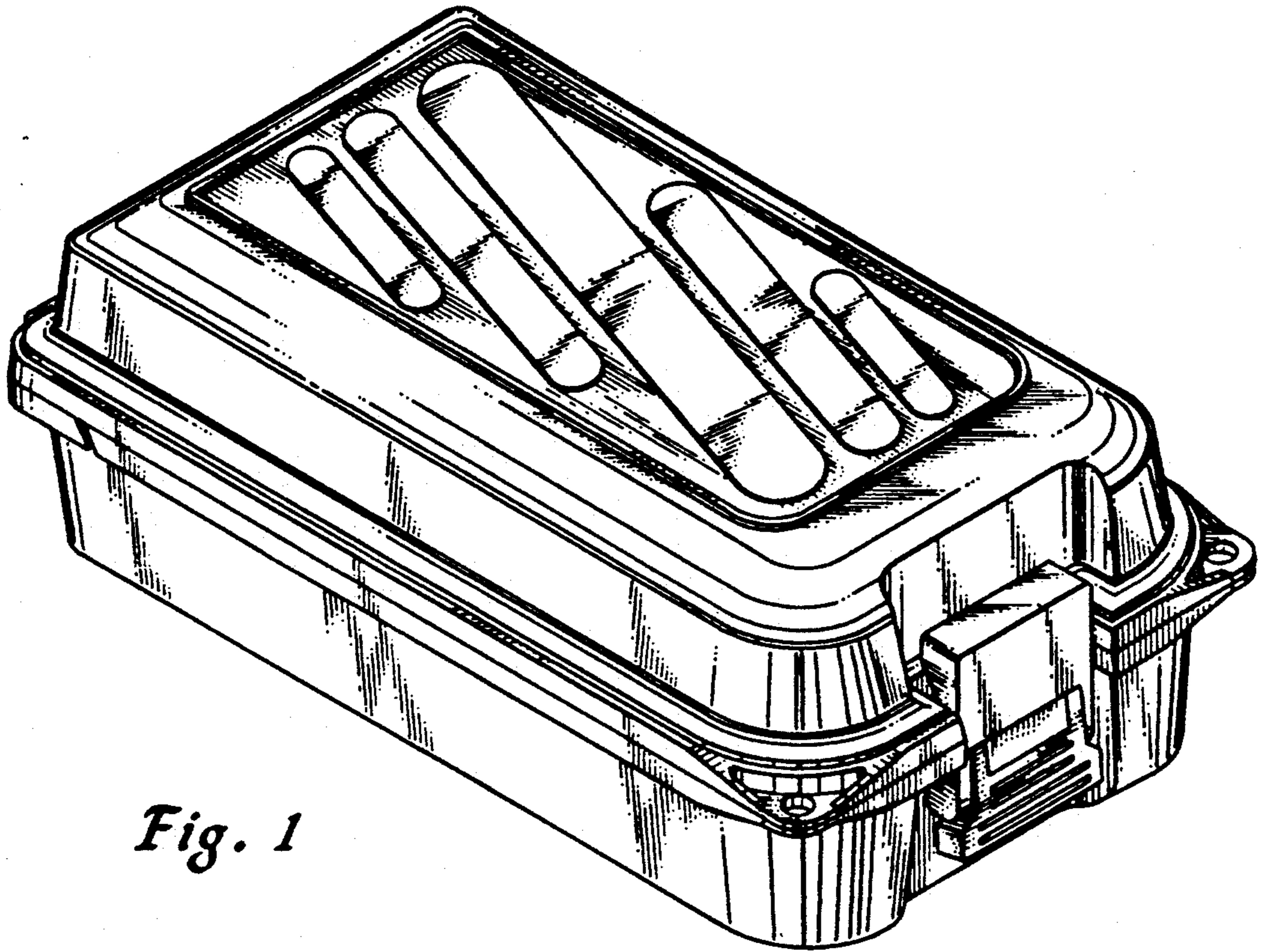


Fig. 1

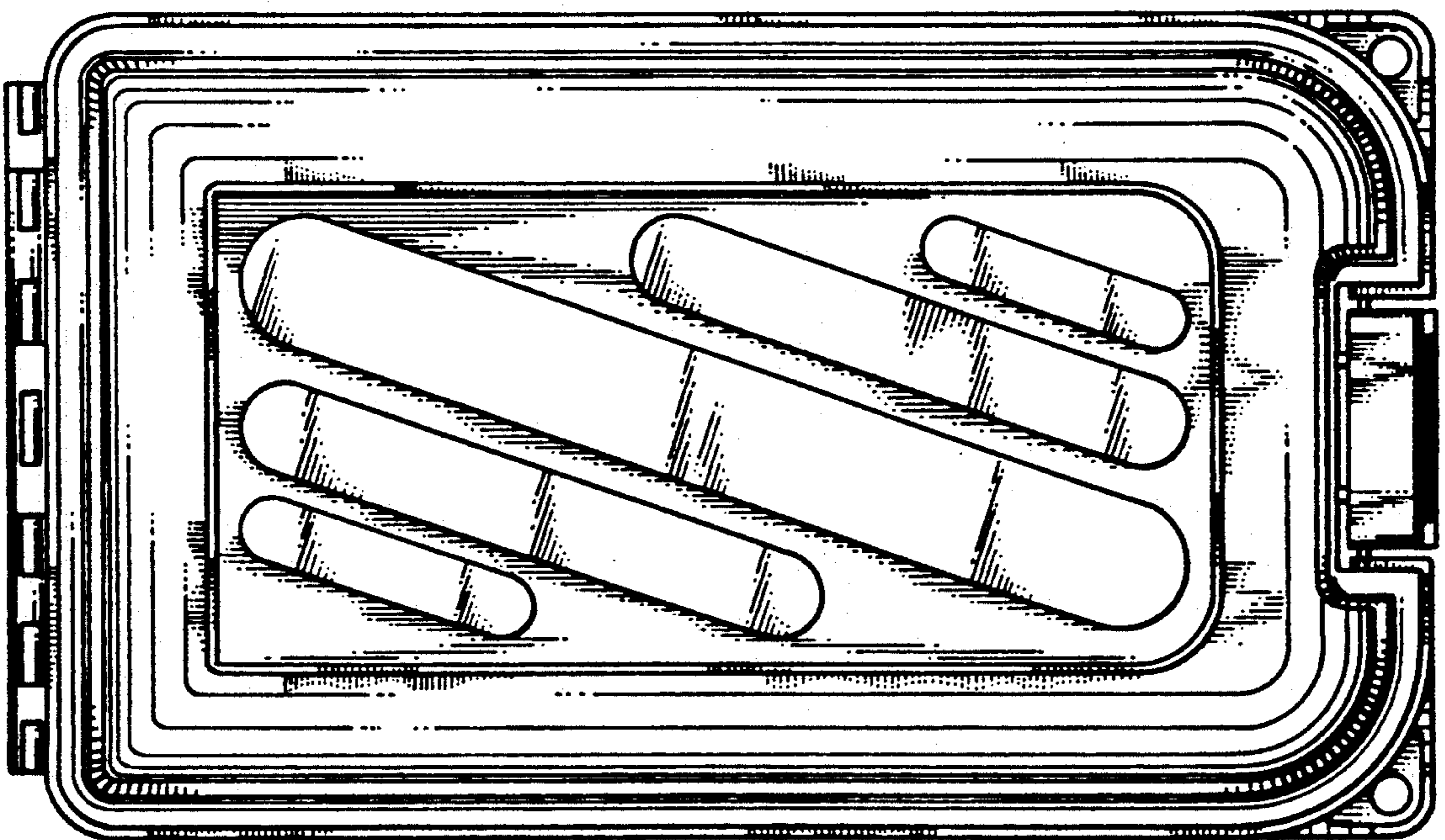


Fig. 2

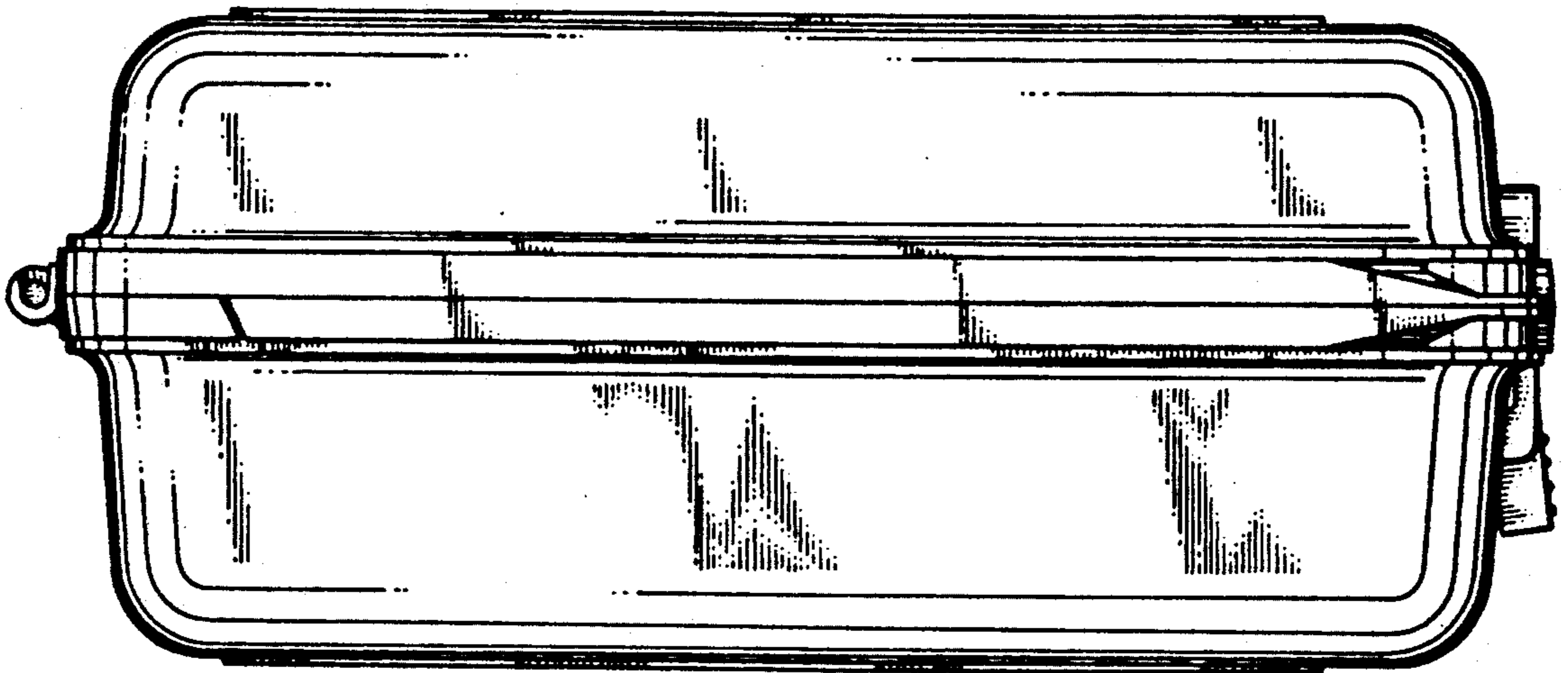


Fig. 3

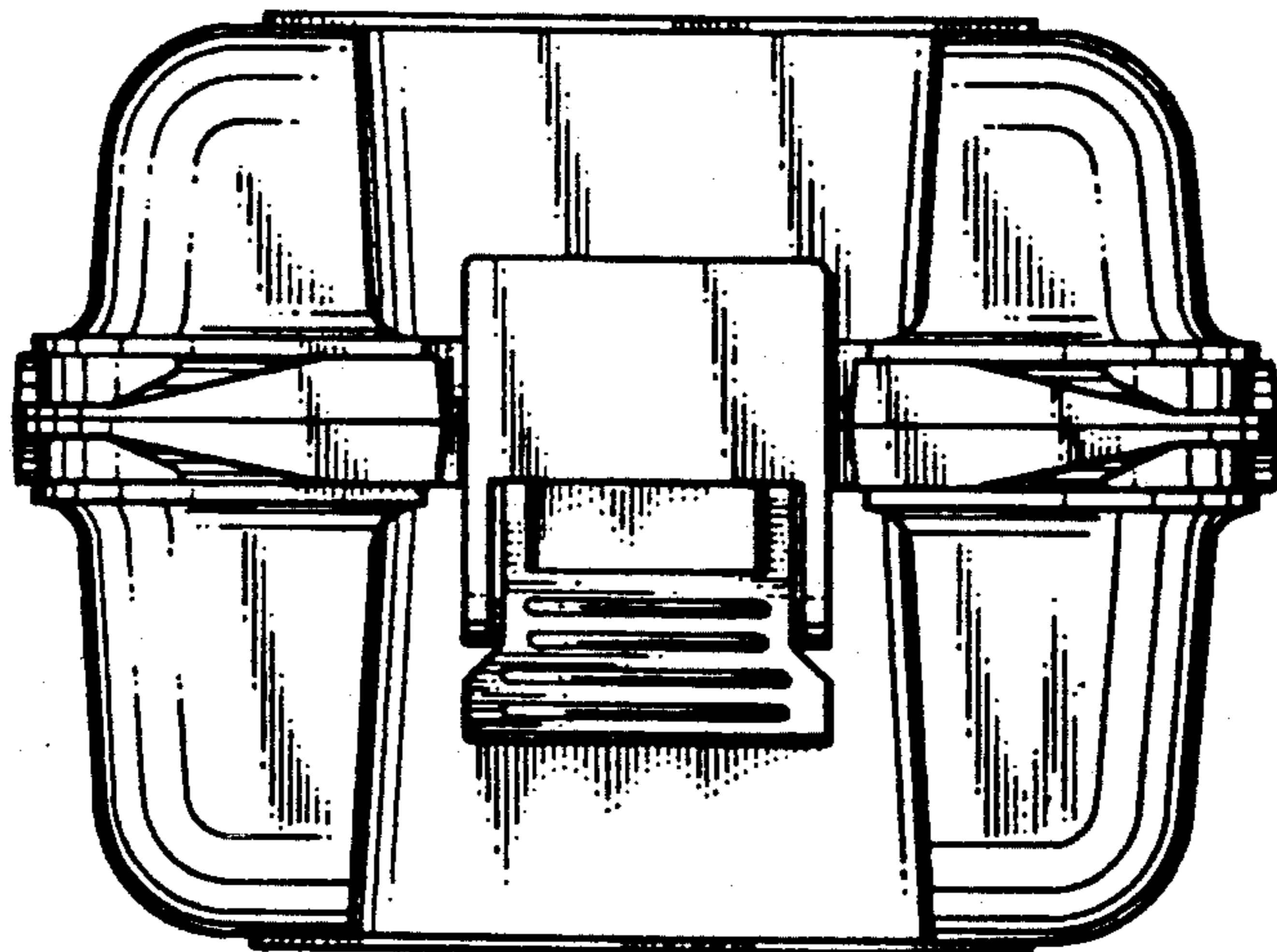


Fig. 4

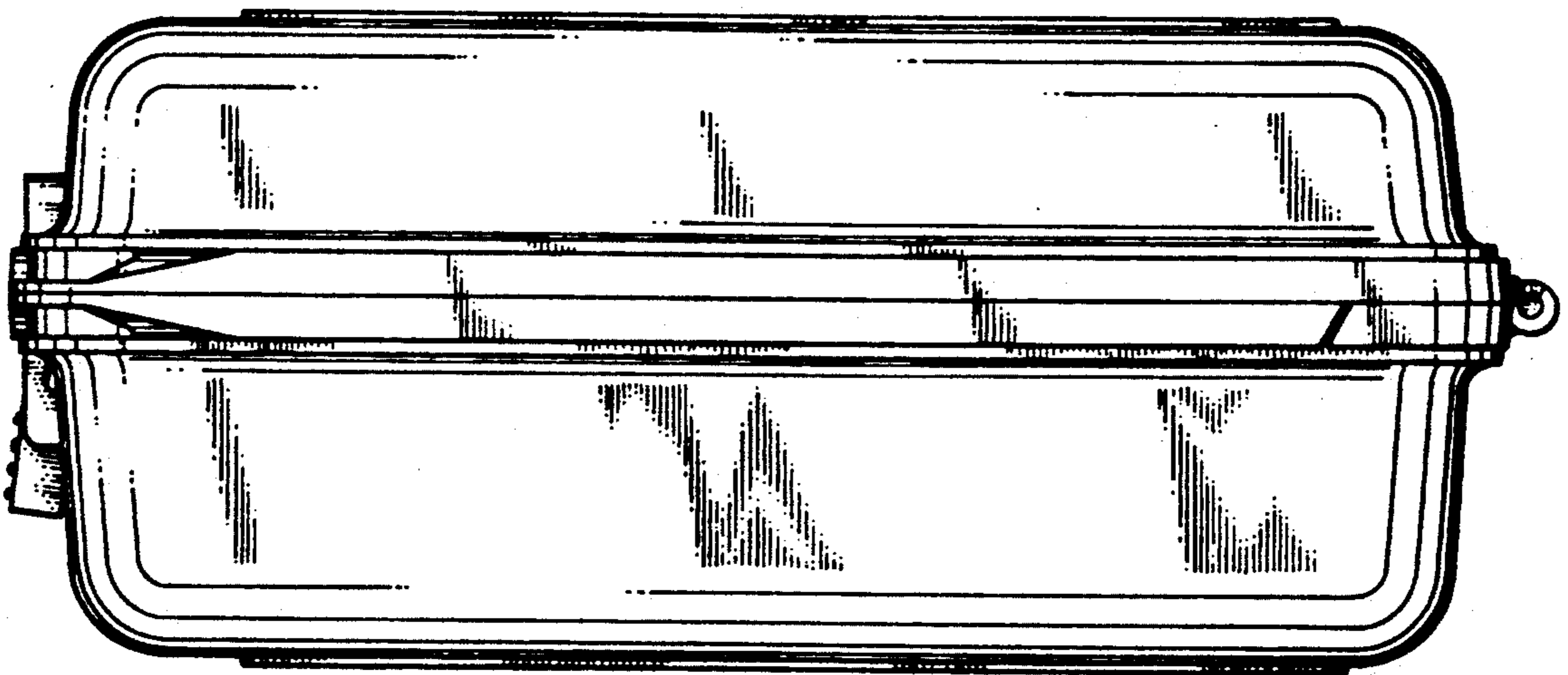


Fig. 5

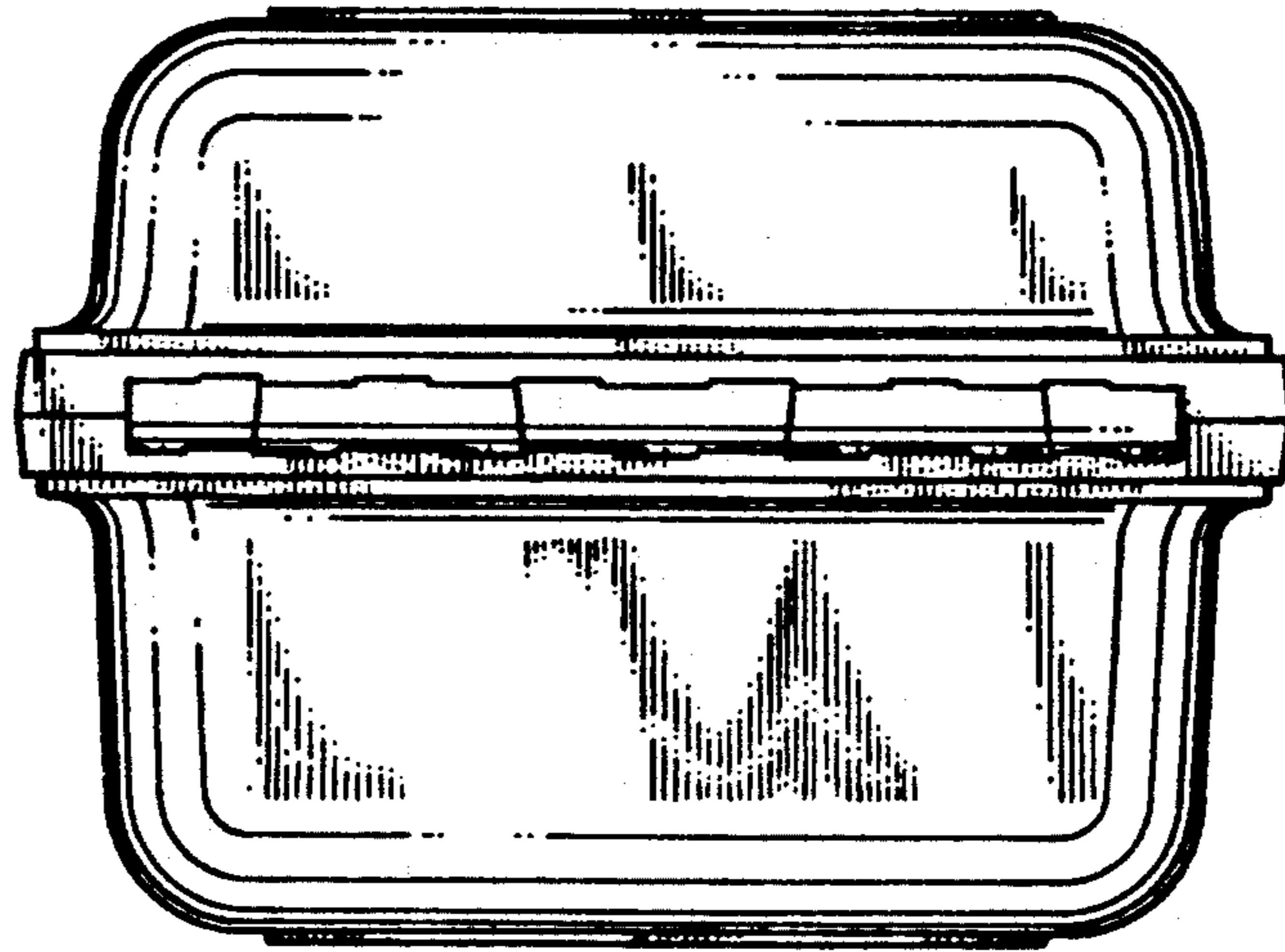


Fig. 6

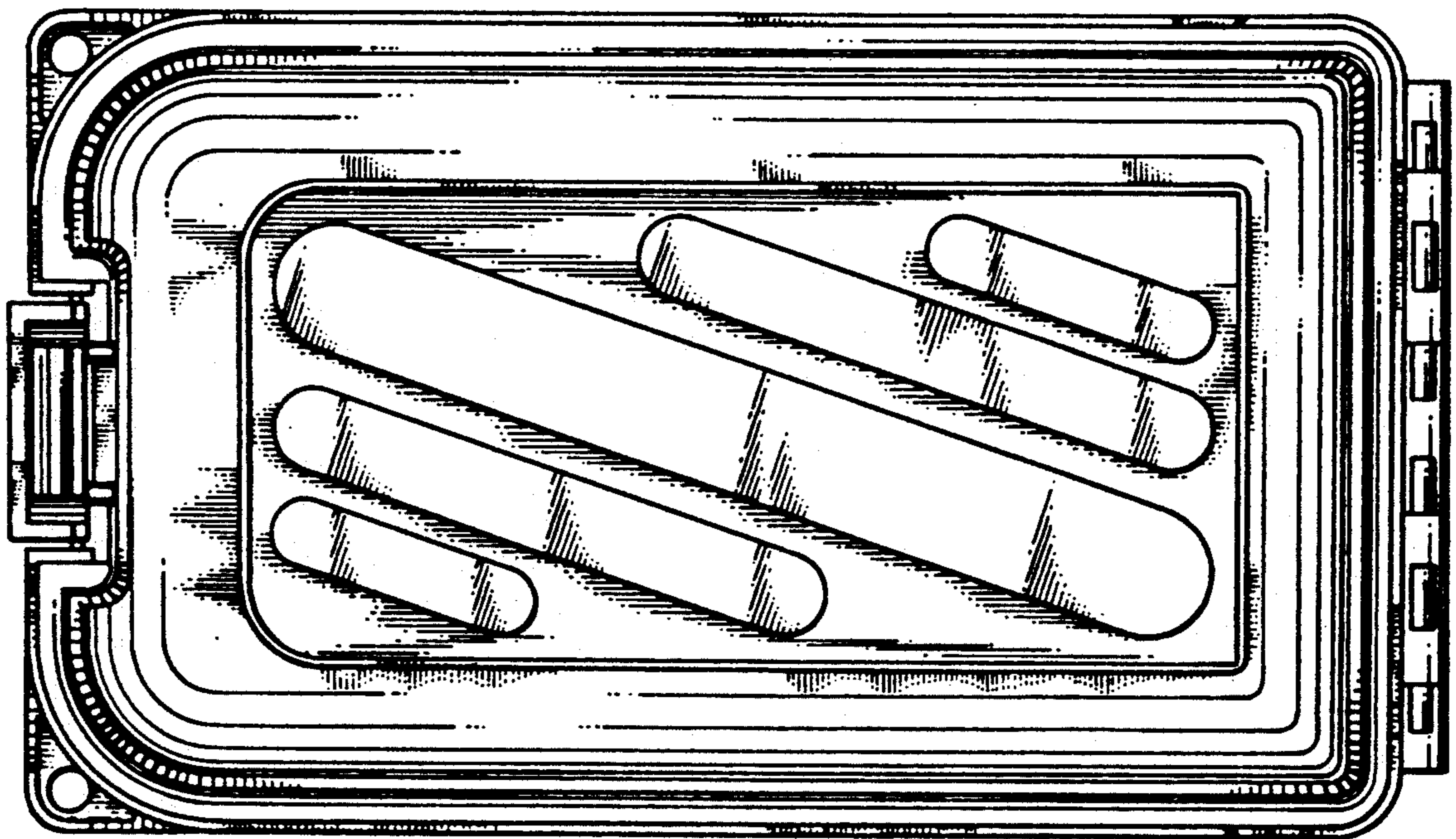


Fig. 7