



US00D335751S

United States Patent [19]

[11] Patent Number: **Des. 335,751**

Johnson et al.

[45] Date of Patent: **** May 18, 1993**

[54] **TOKEN/COIN HOLDER**

[75] Inventors: **Gary D. Johnson**, New York; **Stanley Hochfeld**, Howard Beach, both of N.Y.

[73] Assignees: **Leonard Holtz**, Oceanside; **Charles H. Mutterperl**, Valley Stream, both of N.Y. ; a part interest

[**] Term: **14 Years**

[21] Appl. No.: **695,235**

[22] Filed: **May 3, 1991**

[52] U.S. Cl. **D99/34**

[58] Field of Search **D99/34; 206/0.8, 0.81, 206/0.82, 0.83, 0.84**

[56] **References Cited**

U.S. PATENT DOCUMENTS

- D. 247,992 5/1978 Garson D99/34
- D. 279,934 7/1985 Eriksson D99/34
- D. 283,075 3/1986 Spirk, Jr. et al. D99/34

Primary Examiner—Alan P. Douglas

Assistant Examiner—J. H. Musgrove

Attorney, Agent, or Firm—Frishauf, Holtz, Goodman & Woodward

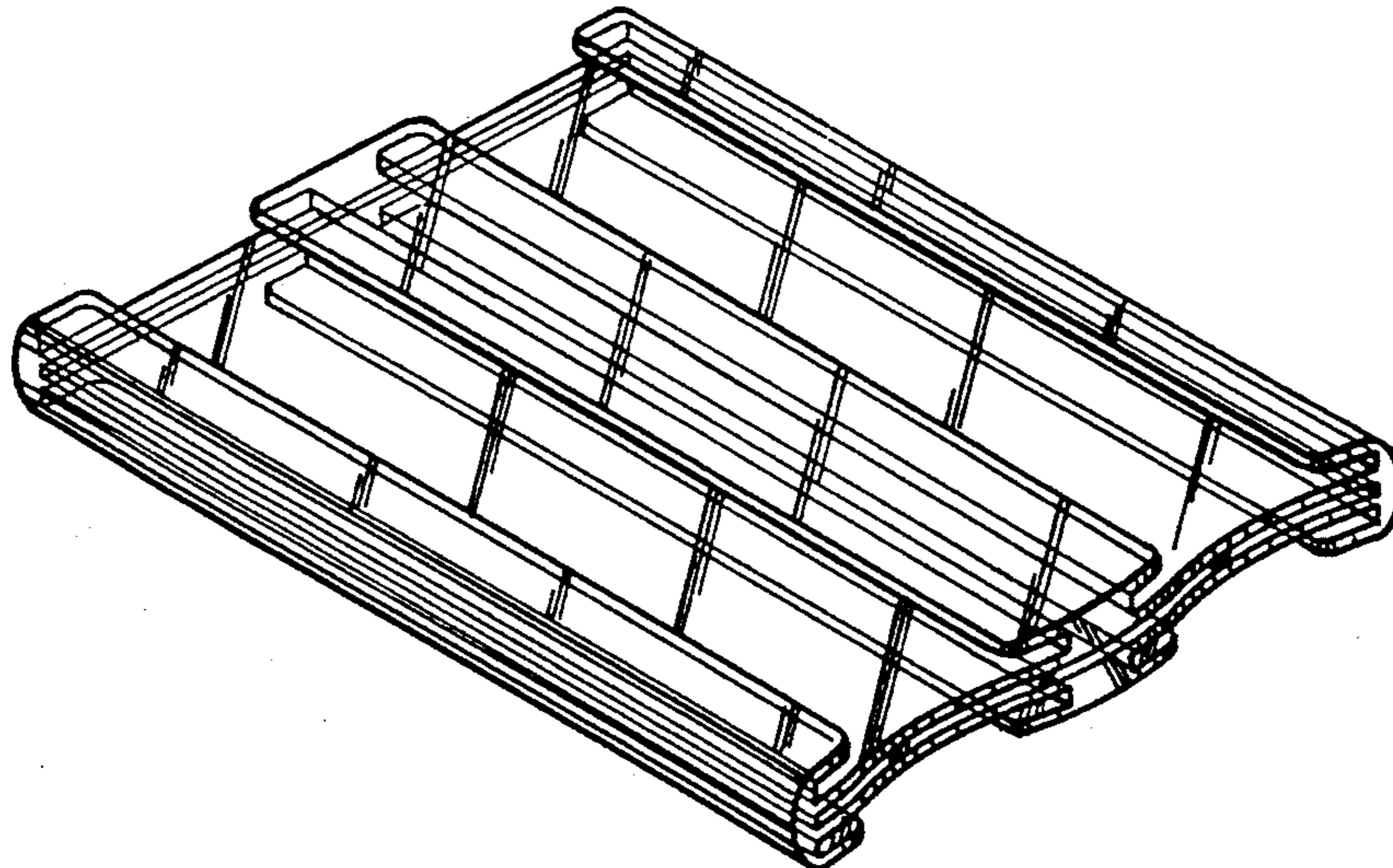
[57] **CLAIM**

The ornamental design for a token holder, as shown and described.

DESCRIPTION

FIG. 1 is a front, left, top perspective view of a token/coin holder showing our new design;
FIG. 2 is a top plan view thereof, the bottom plan view being identical;

FIG. 3 is a left side elevational view thereof, the right side elevational view being a mirror image thereof;
FIG. 4 is a front end view thereof;
FIG. 5 is a rear end view thereof;
FIG. 6 is a top view of a modified embodiment thereof, the bottom plan view being identical;
FIG. 7 is a left side elevational view thereof, the right side elevational view being a mirror image thereof;
FIG. 8 is a front end view thereof;
FIG. 9 is a rear end view thereof;
FIG. 10 is a top view of another modified embodiment thereof, the bottom plan view being identical;
FIG. 11 is a left side elevational view thereof, the right side elevational view being a mirror image thereof;
FIG. 12 is a front end view thereof;
FIG. 13 is a rear end view thereof;
FIG. 14 is a top view of another modified embodiment thereof, the bottom plan view being identical;
FIG. 15 is a left side elevational view thereof, the right side elevational view being a mirror image thereof;
FIG. 16 is a front end view thereof;
FIG. 17 is a rear end view thereof;
FIG. 18 is a front, right, top perspective view of a further modified embodiment thereof;
FIG. 19 is a top plan view thereof;
FIG. 20 is a left side elevational view thereof, the right side elevational view being a mirror image thereof;
FIG. 21 is a bottom plan view thereof;
FIG. 22 is a front end view thereof, the rear end view being a mirror image thereof;
FIG. 23 is a top plan view of an elongated modified embodiment of the embodiment shown in FIGS. 18-22;
FIG. 24 is a left side elevational view thereof, the right side elevational view being a mirror image thereof; and,
FIG. 25 is a bottom plan view thereof, the front and rear end views both being the same as FIG. 22.



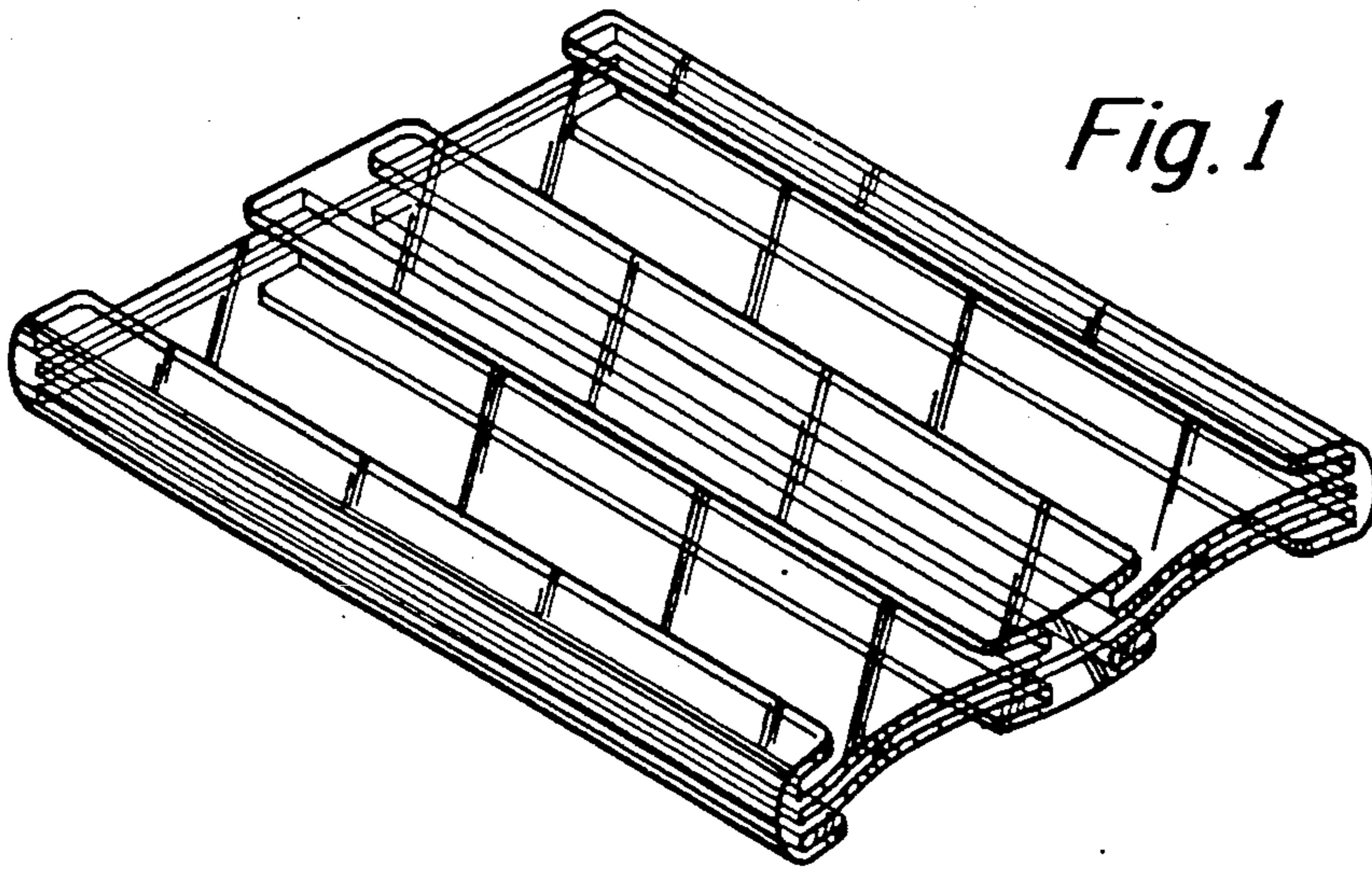


Fig. 2

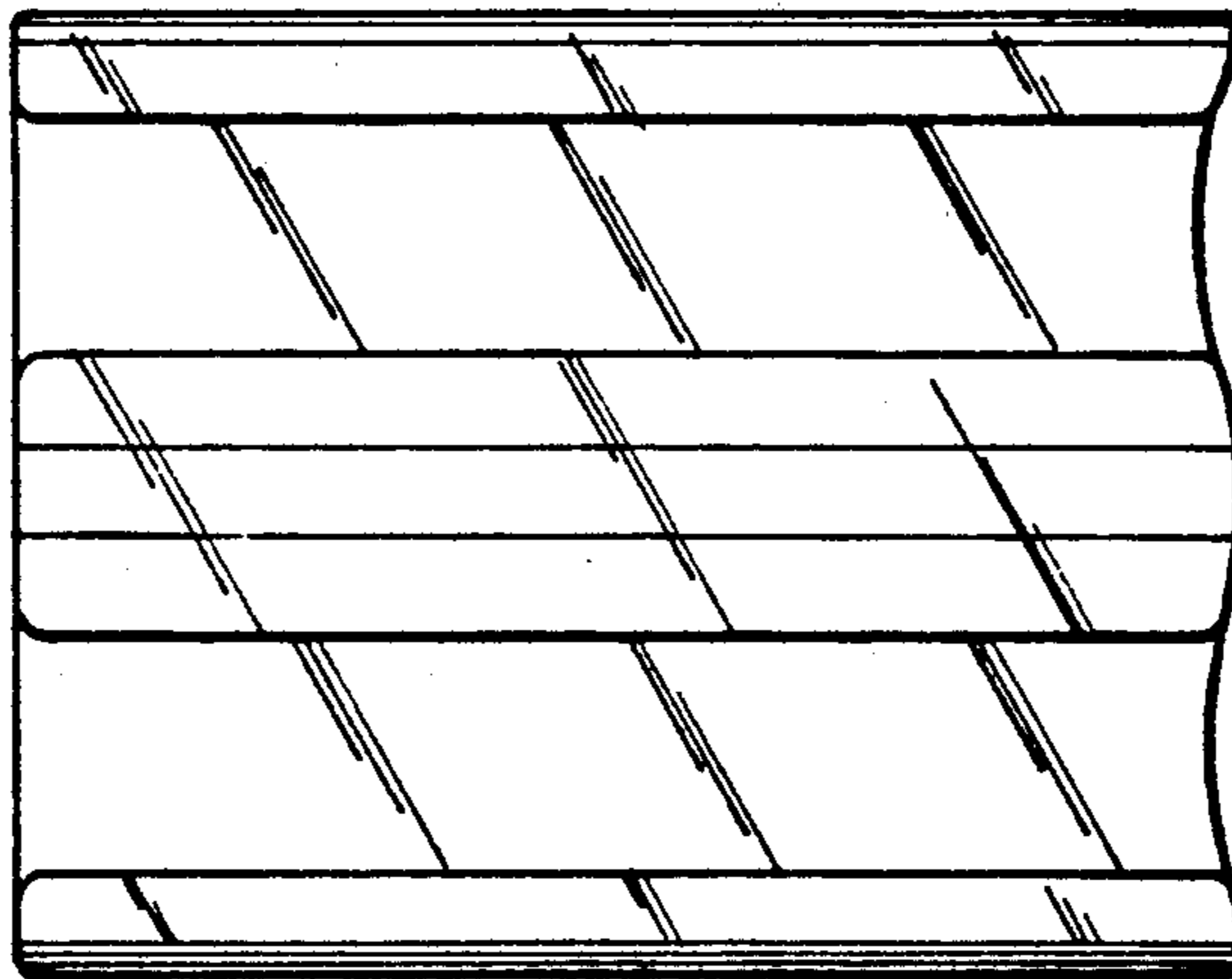


Fig. 3

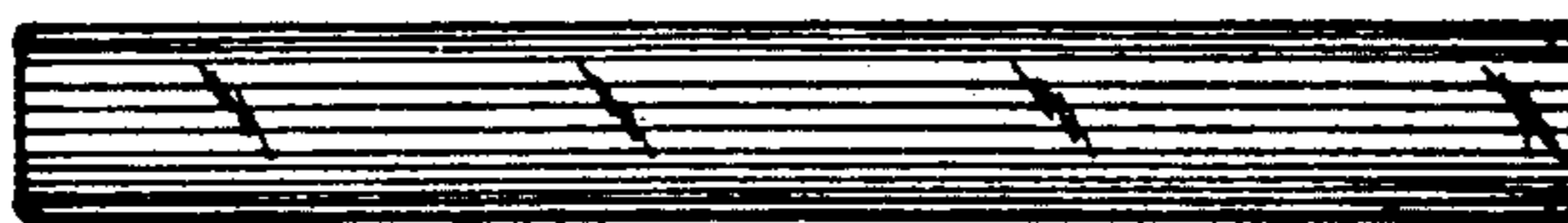


Fig. 4



Fig. 5



Fig. 6

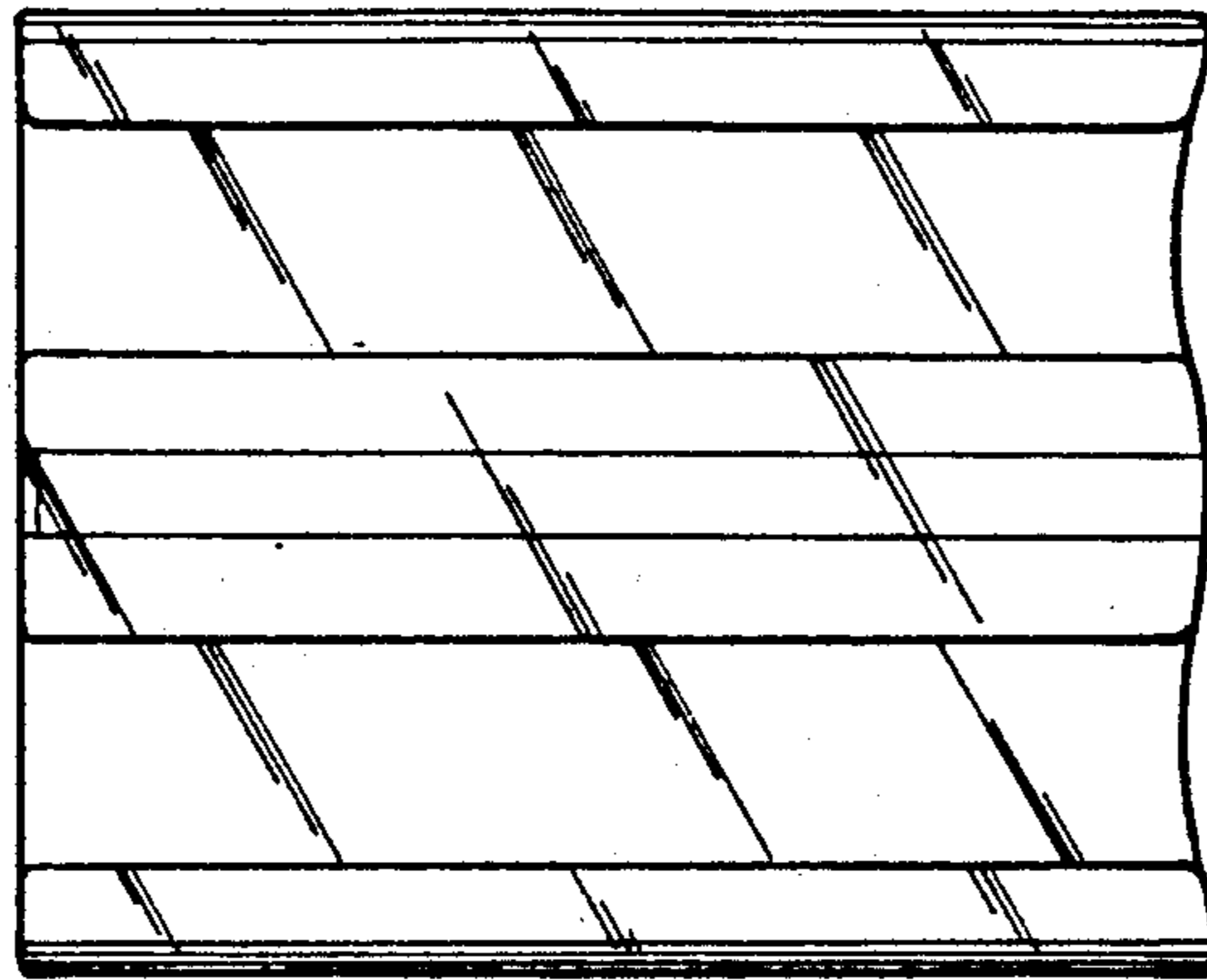


Fig. 7



Fig. 8



Fig. 9



Fig. 10

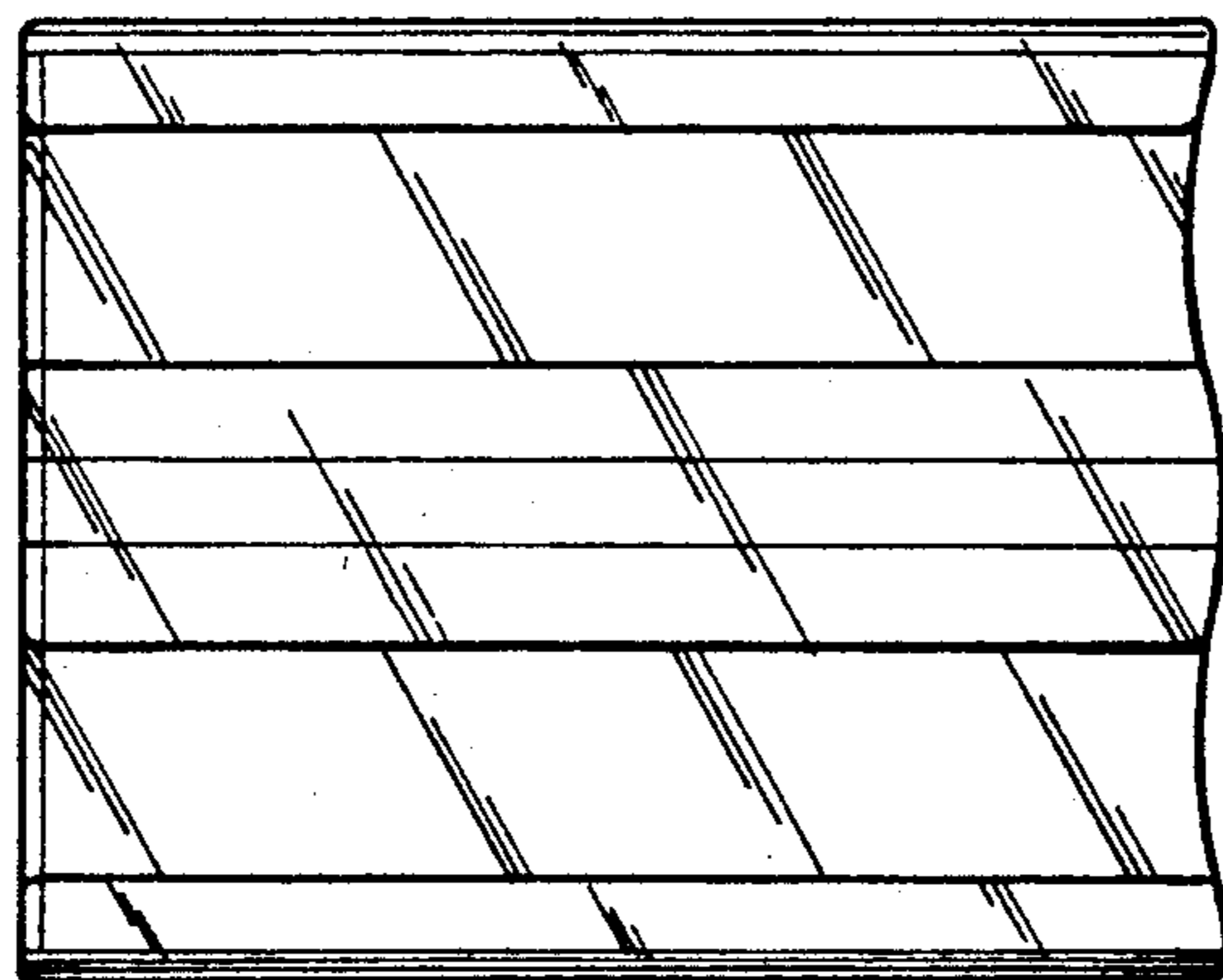


Fig. 11

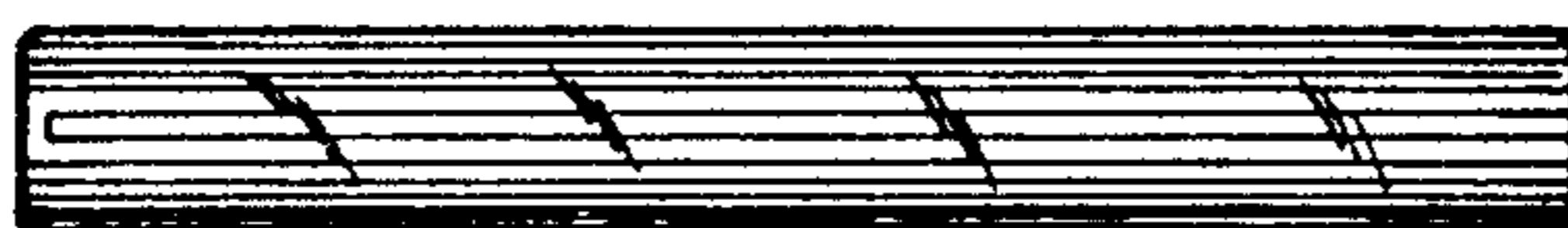


Fig. 12



Fig. 13



Fig. 14

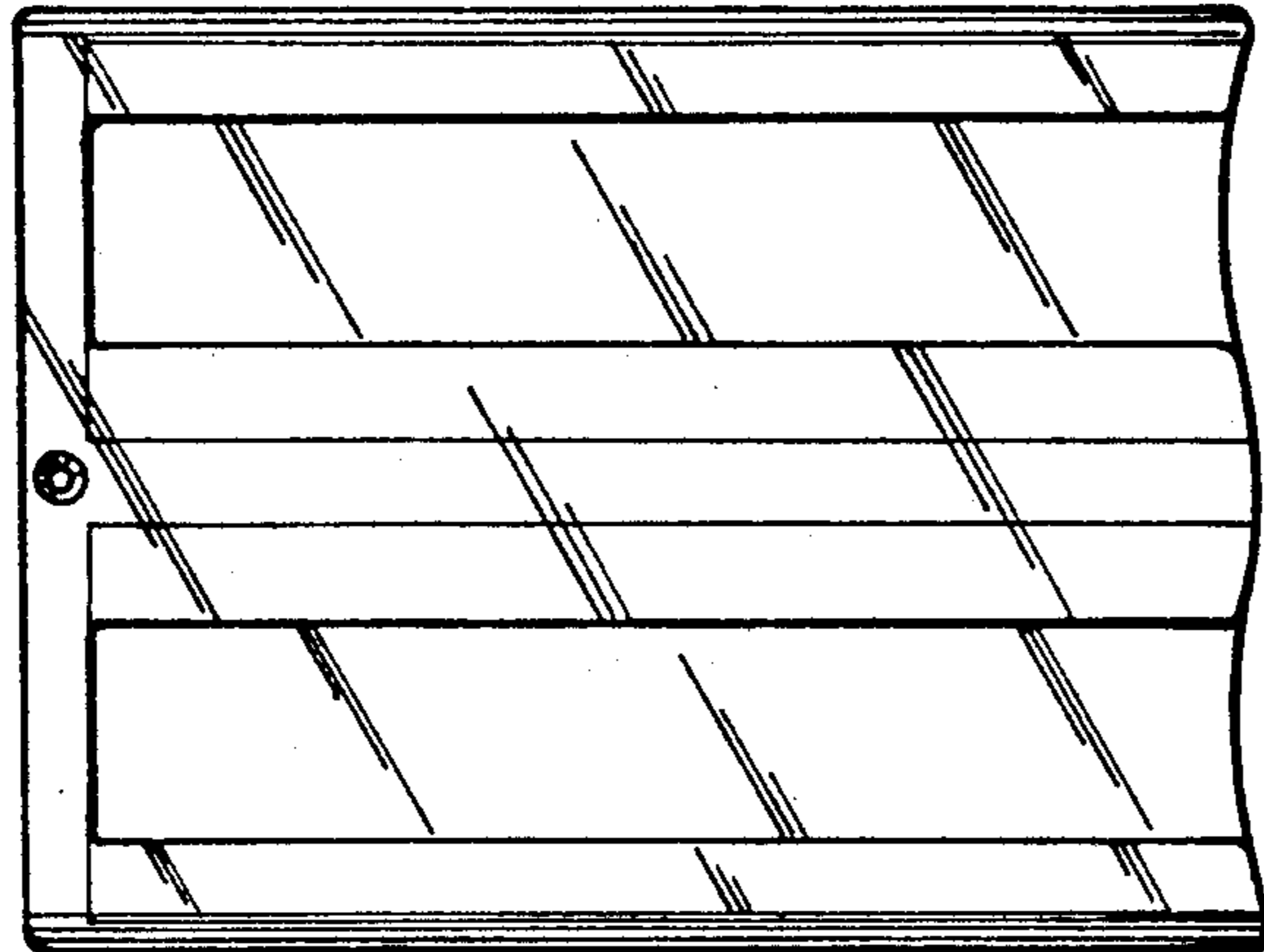


Fig. 15

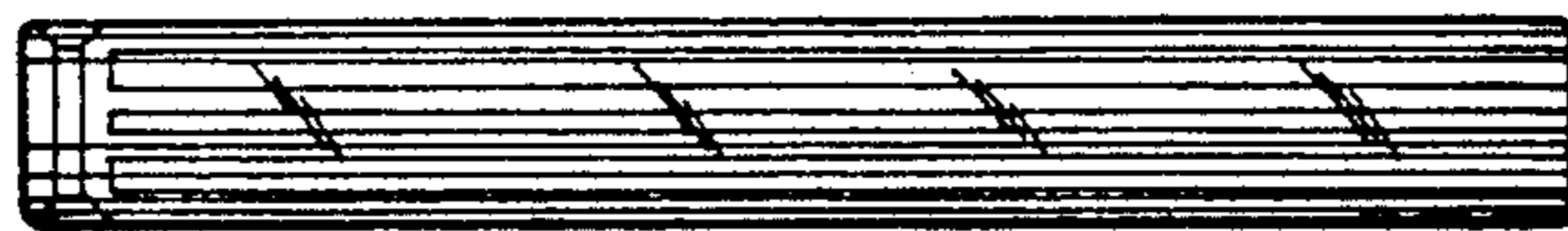


Fig. 16



Fig. 17



Fig. 18

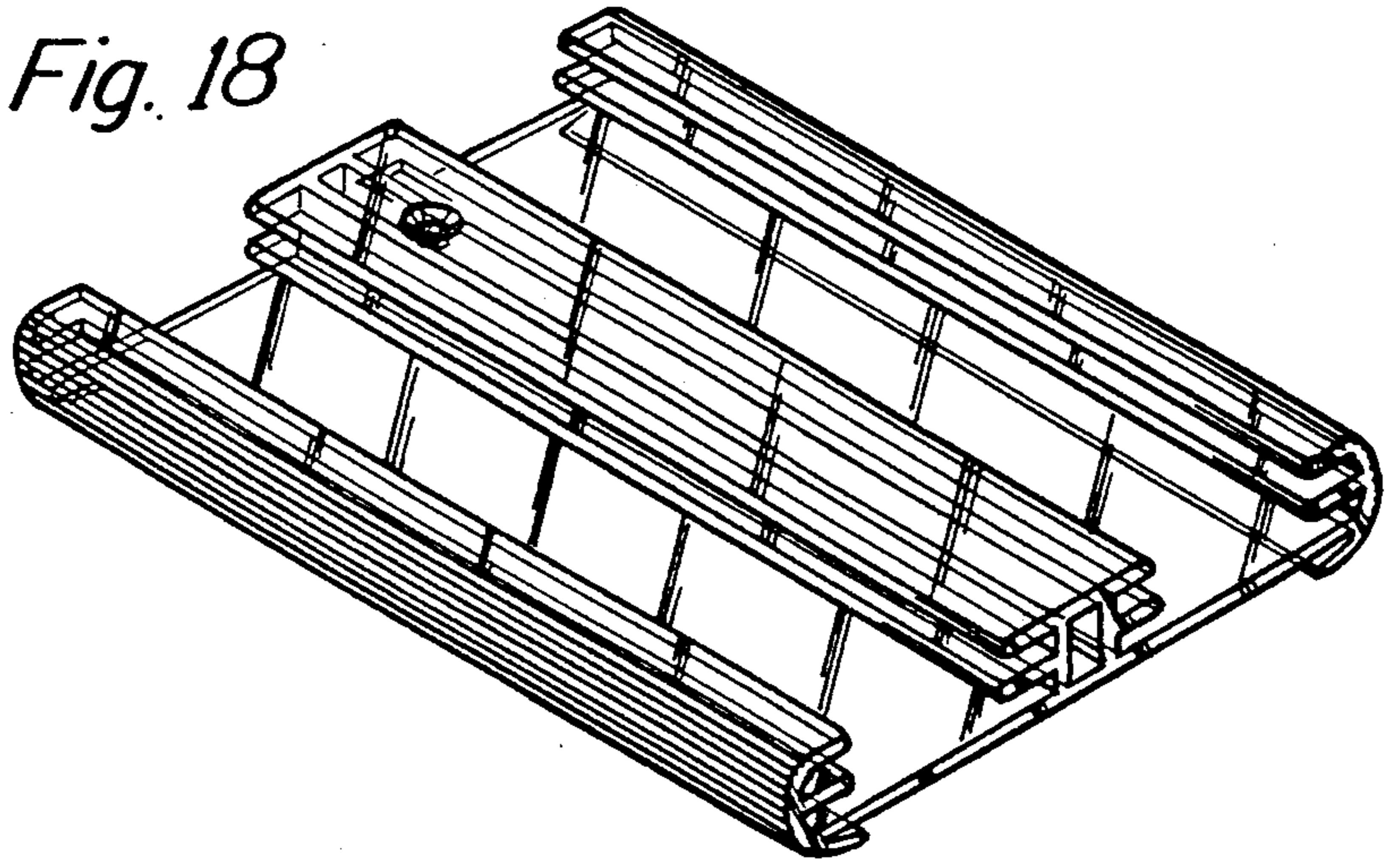


Fig. 19

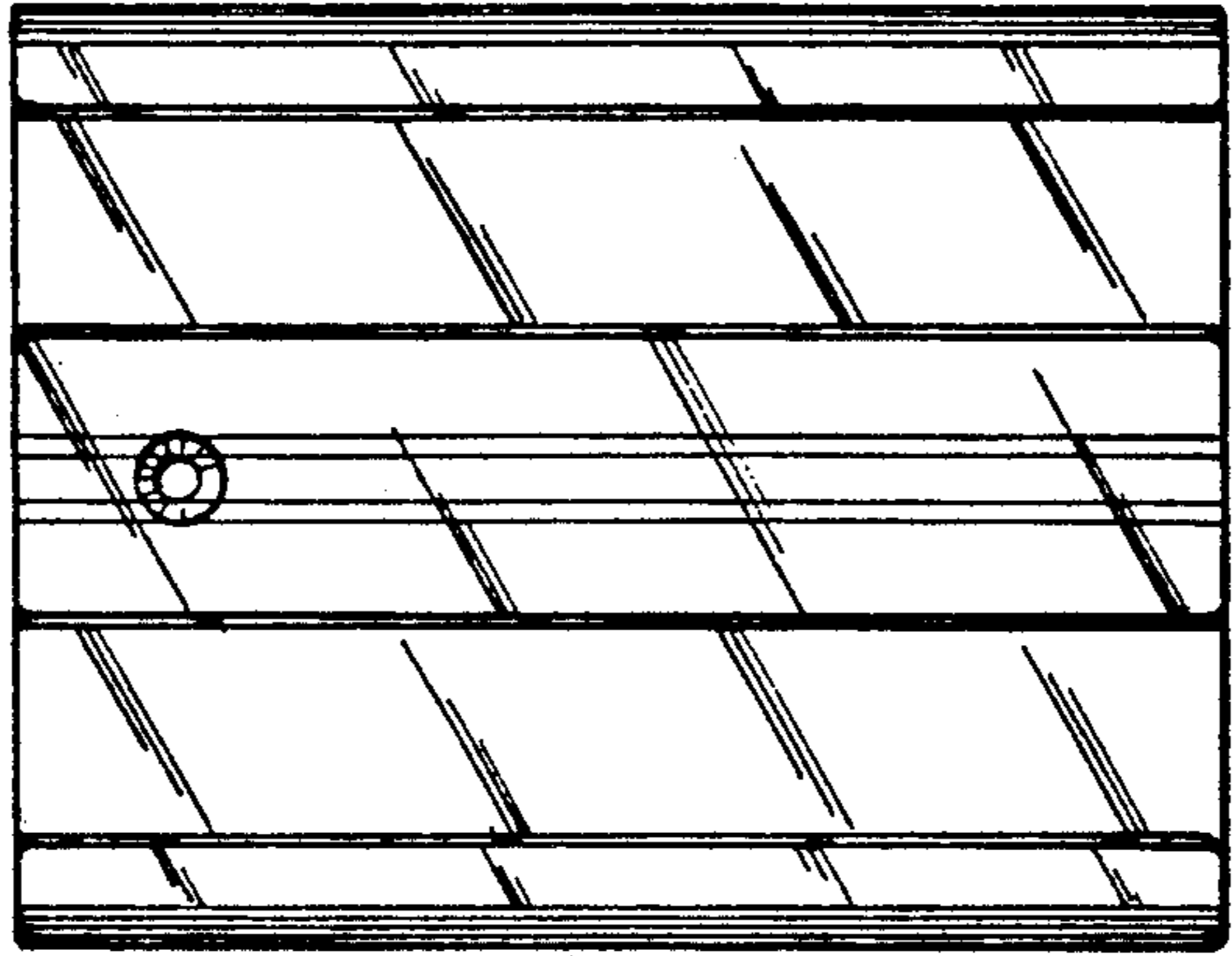


Fig. 20



Fig. 21

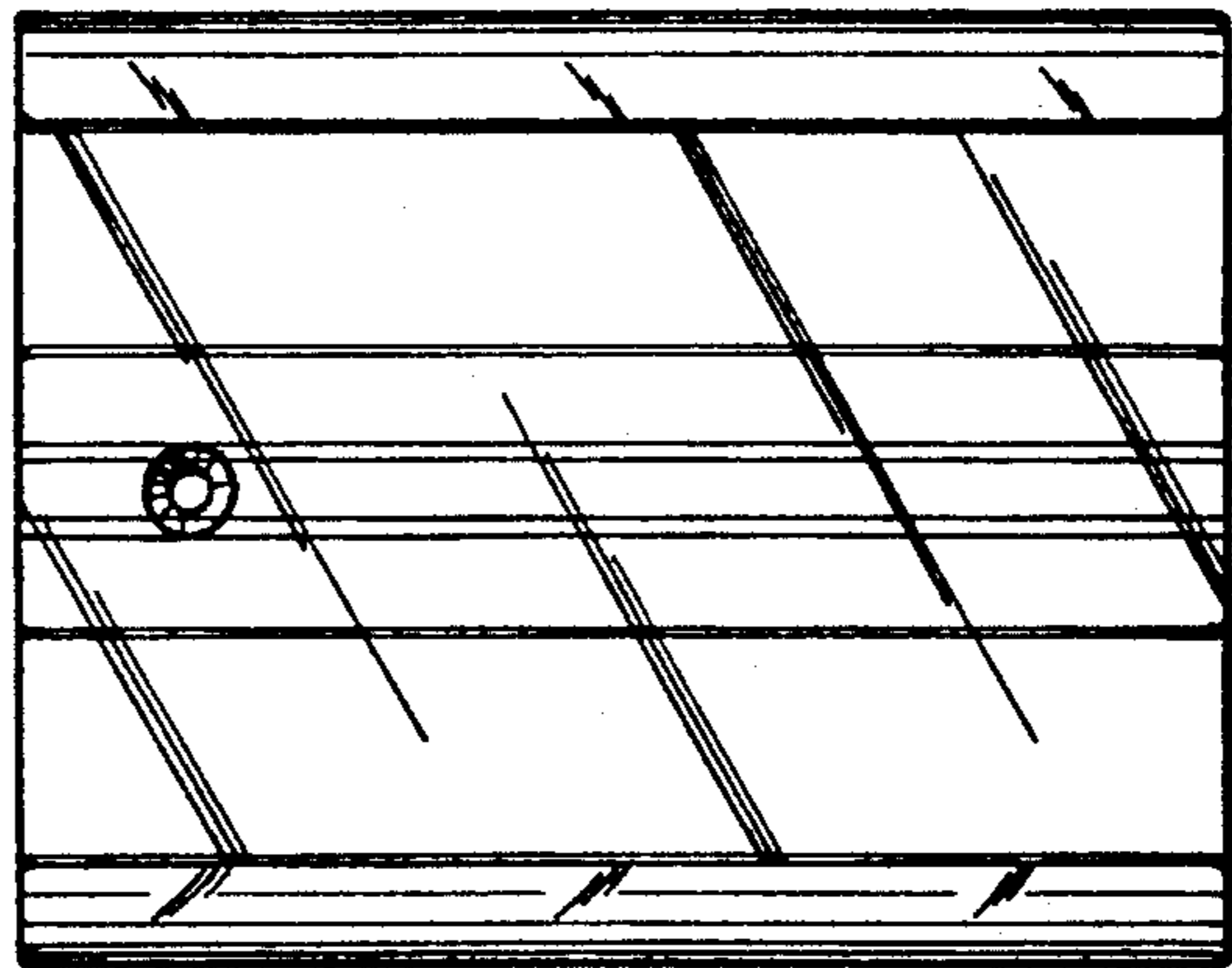


Fig. 22



Fig. 23

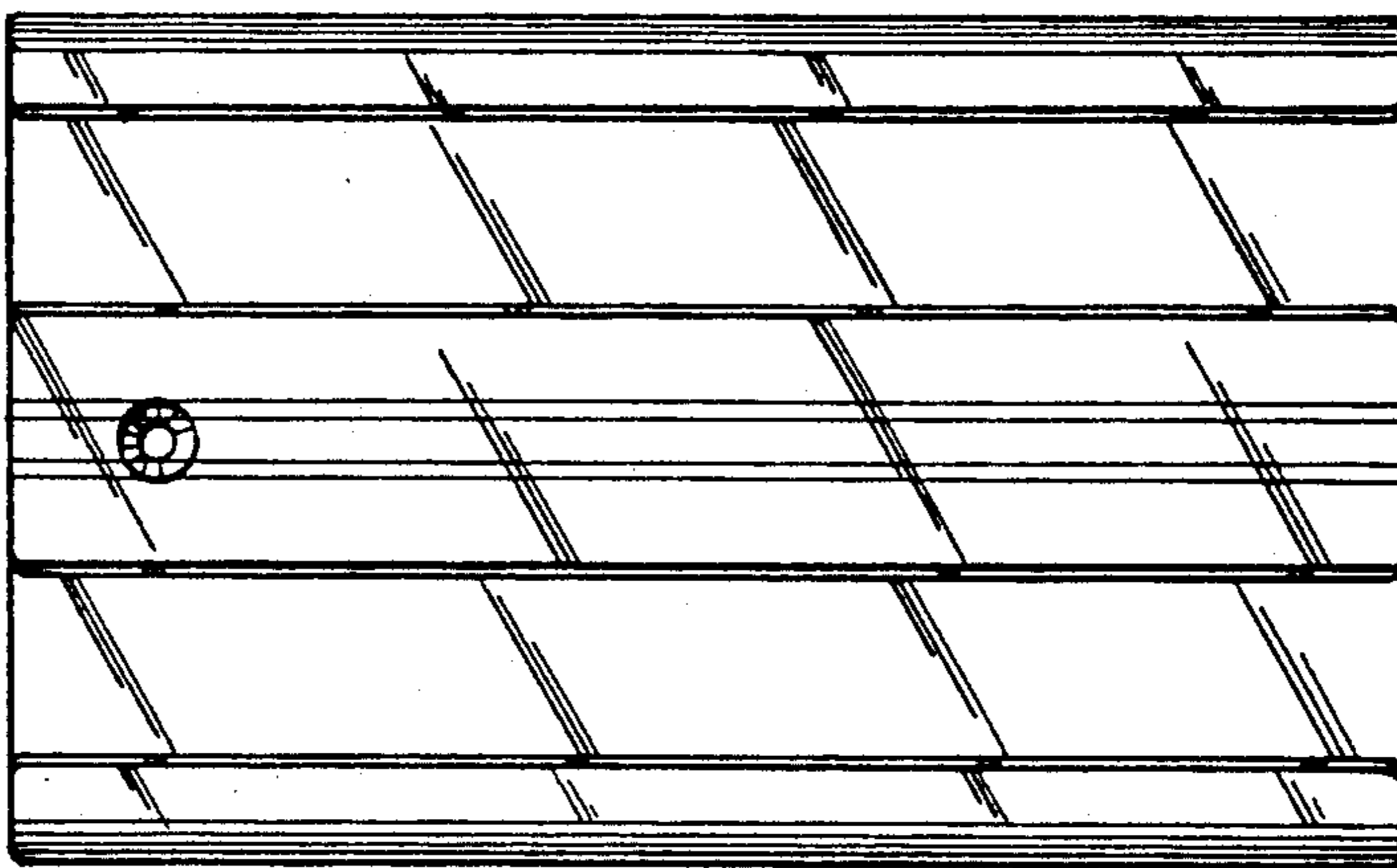


Fig. 24

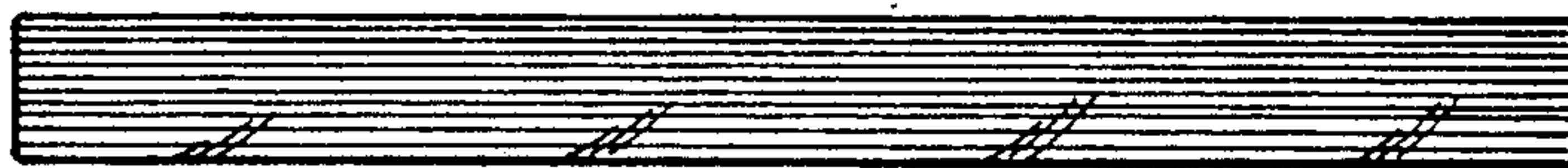


Fig. 25

